



US00D888357S

(12) **United States Design Patent**
Bond

(10) **Patent No.:** **US D888,357 S**

(45) **Date of Patent:** **** Jun. 23, 2020**

(54) **VACUUM CLEANER TOOL**

(71) Applicant: **SHARKNINJA OPERATING LLC,**
Newton, MA (US)

(72) Inventor: **Brian M. Bond,** Woburn, MA (US)

(73) Assignee: **SharkNinja Operating LLC,**
Needham, MA (US)

(**) Term: **15 Years**

(21) Appl. No.: **29/698,966**

(22) Filed: **Jul. 22, 2019**

Related U.S. Application Data

(63) Continuation of application No. 29/611,771, filed on
Jul. 25, 2017, now Pat. No. Des. 854,767.

(51) **LOC (12) Cl.** **15-05**

(52) **U.S. Cl.**
USPC **D32/31**

(58) **Field of Classification Search**
USPC D32/18, 31-34, 20-22, 38-39, 45;
D15/138, 126; D8/70
CPC A47L 9/02; A47L 9/04; A47L 9/06; A47L
9/0477; A47L 9/2842; A47L 9/0693;
A47L 9/0444; A47L 9/0461; A47L 9/325;
A47L 9/28; A47L 5/362; A47L 5/365;
A47L 5/325; A47L 5/28; A47L 5/30;
A47L 5/34; A47L 5/36; A47L 5/02; A47L
5/24; A47L 11/4044; E04H 4/1654; A46B
13/001; E01H 1/0854; B24B 55/06;
B23Q 11/0071; B23Q 11/0046; B27C
5/10

See application file for complete search history.

(56) **References Cited**

U.S. PATENT DOCUMENTS

D405,570 S * 2/1999 Broecking D32/32
D470,983 S * 2/2003 Svaldi D32/31

D477,445 S * 7/2003 Schroter D32/31
D480,848 S * 10/2003 Smith D32/31
D513,101 S * 12/2005 Allard D32/32
7,003,846 B2 * 2/2006 Holtz A47L 5/24
15/327.1
8,056,181 B2 * 11/2011 Kim A47L 5/36
15/320
D658,832 S * 5/2012 Eden D32/32
D674,158 S * 1/2013 Kim D32/31

(Continued)

Primary Examiner — Ruth McInroy

(74) *Attorney, Agent, or Firm* — Grossman Tucker
Perreault & Pflieger, PLLC

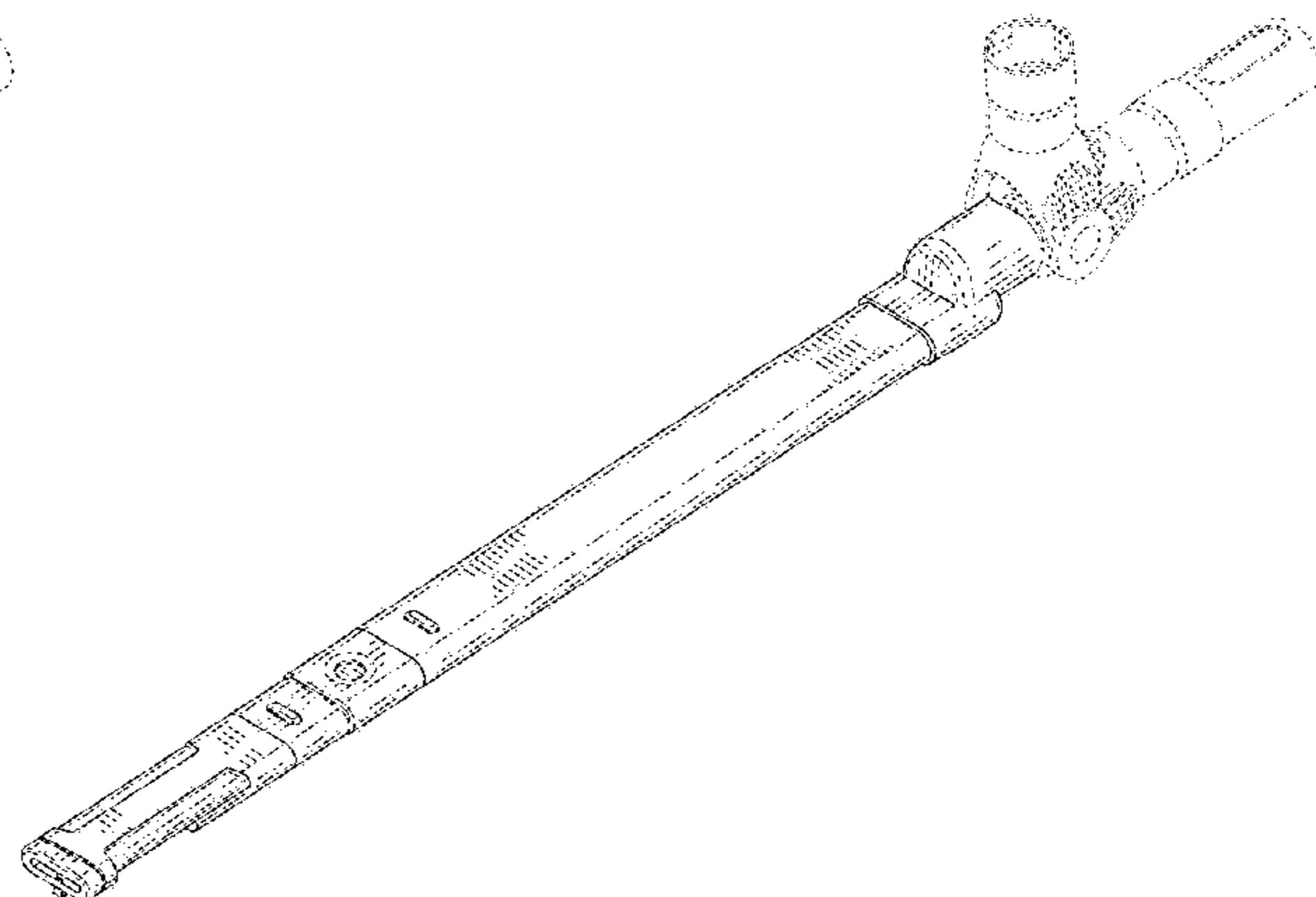
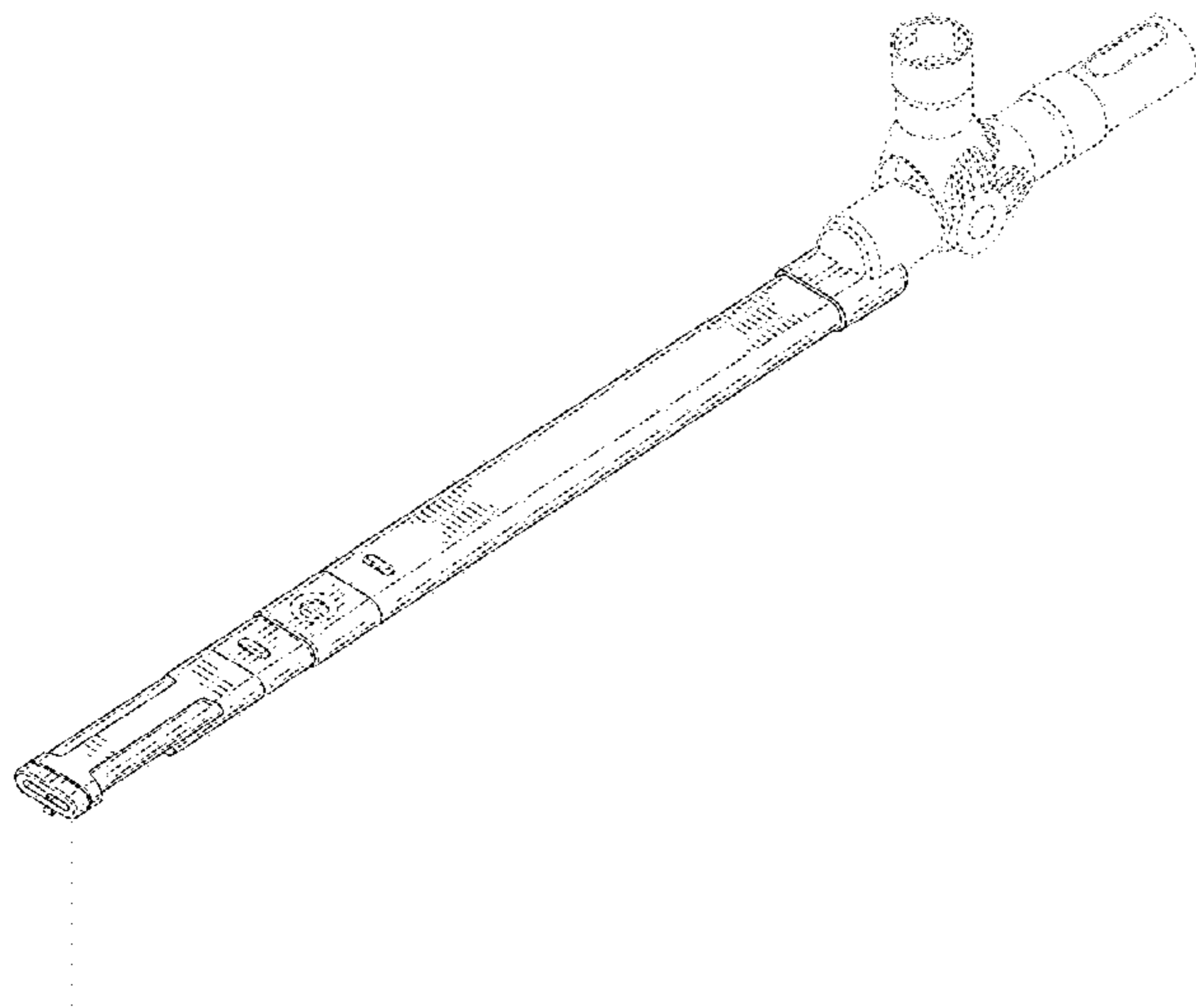
(57) **CLAIM**

The ornamental design for a vacuum cleaner tool, as shown
and described.

DESCRIPTION

FIG. 1 is a top perspective view of a vacuum cleaner tool
showing the new design;
FIG. 2 is a front view thereof;
FIG. 3 is a back view thereof;
FIG. 4 is a left side view thereof;
FIG. 5 is a right side view thereof;
FIG. 6 is a top view thereof;
FIG. 7 is a bottom view thereof;
FIG. 8 is a bottom perspective view thereof;
FIG. 9 is a top perspective view of a second embodiment
thereof;
FIG. 10 is a front view of FIG. 9;
FIG. 11 is a rear view of FIG. 9;
FIG. 12 is a left side view of FIG. 9;
FIG. 13 is a right side view of FIG. 9;
FIG. 14 is a top view of FIG. 9;
FIG. 15 is a bottom view of FIG. 9; and,
FIG. 16 is a bottom perspective view of FIG. 9.
The details shown in broken lines form no part of the
claimed design.

1 Claim, 10 Drawing Sheets



(56)

References Cited

U.S. PATENT DOCUMENTS

8,533,907 B2 *	9/2013	Eccardt	A47L 9/02
			138/122
D744,180 S *	11/2015	Yun	D32/31
D792,670 S *	7/2017	Lambert	D32/31
D796,132 S *	8/2017	Yoon	D32/31
D796,133 S *	8/2017	Larouche	D32/25
D800,980 S *	10/2017	Carter	D32/21
D805,267 S *	12/2017	Maune	D32/31

* cited by examiner

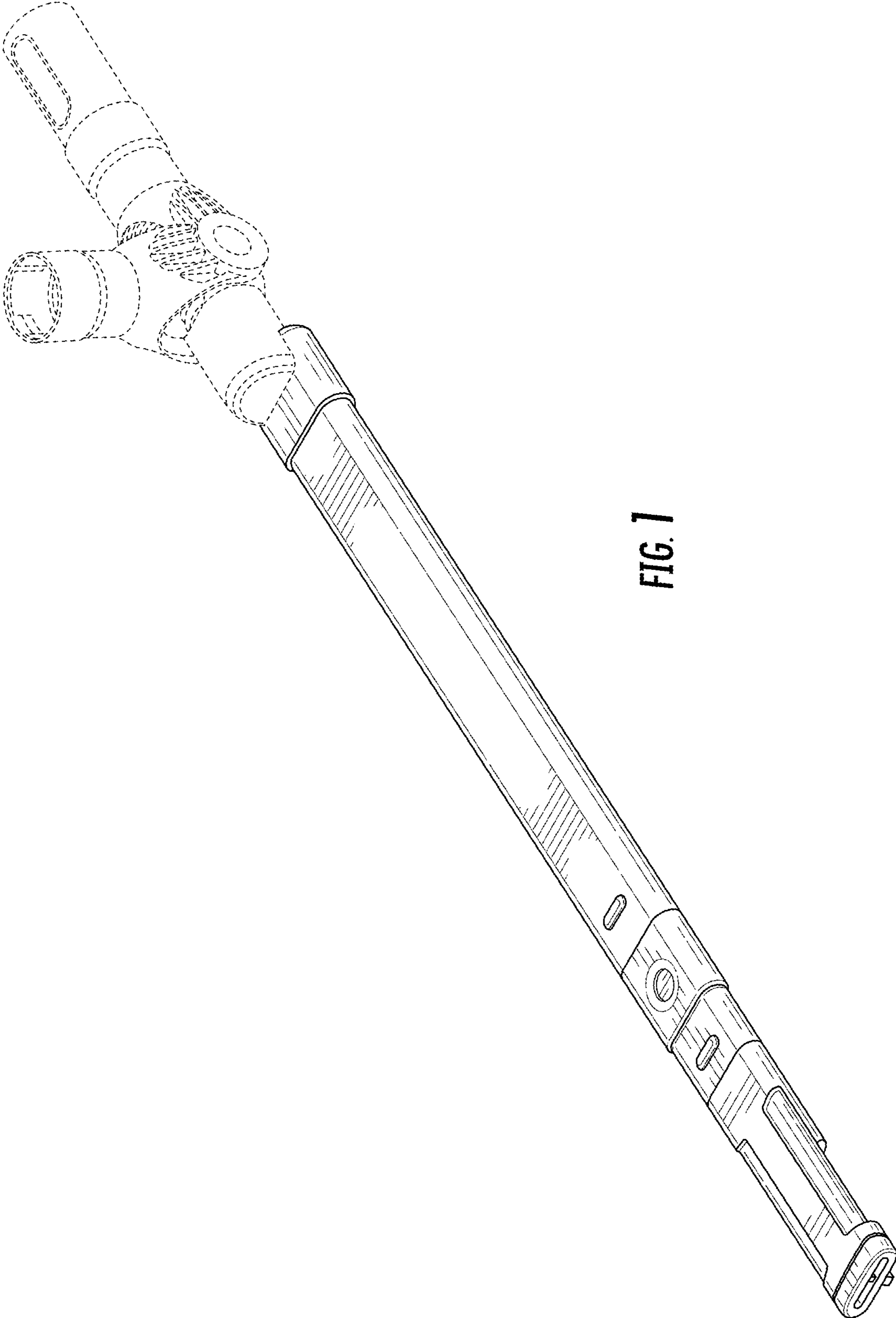


FIG. 1

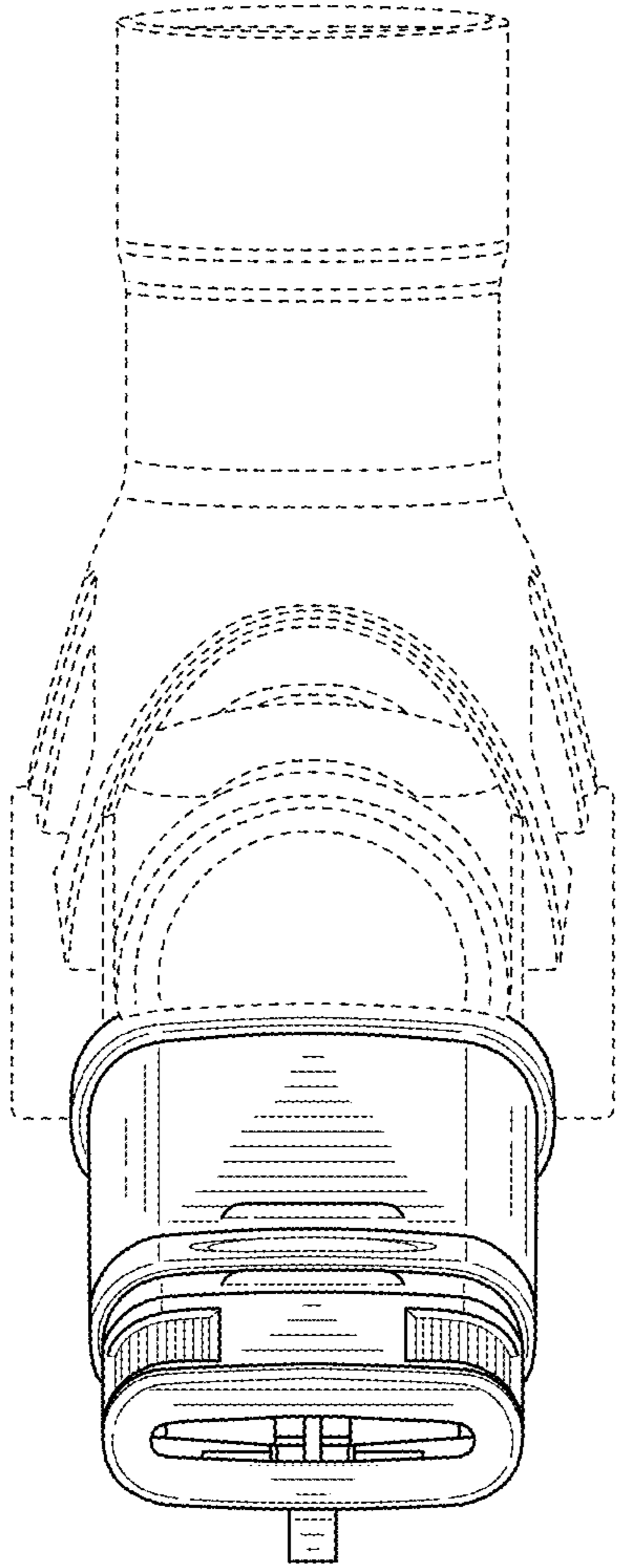


FIG. 2

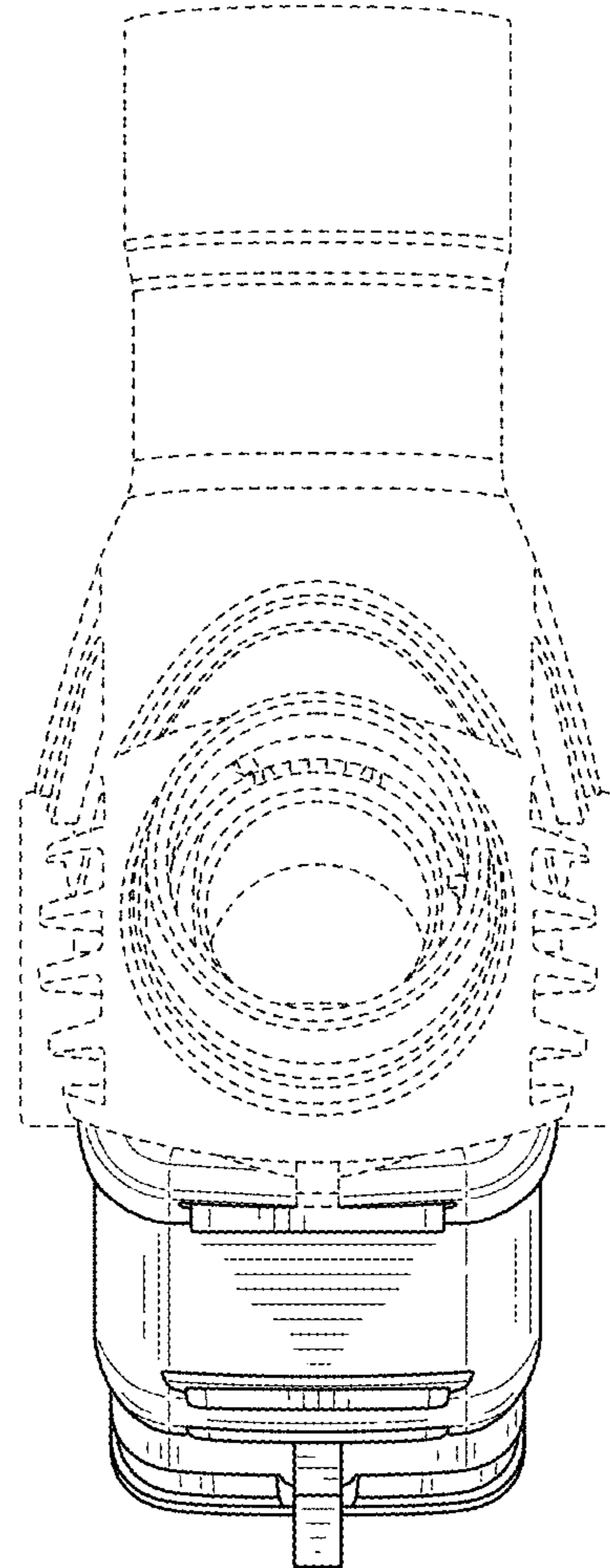
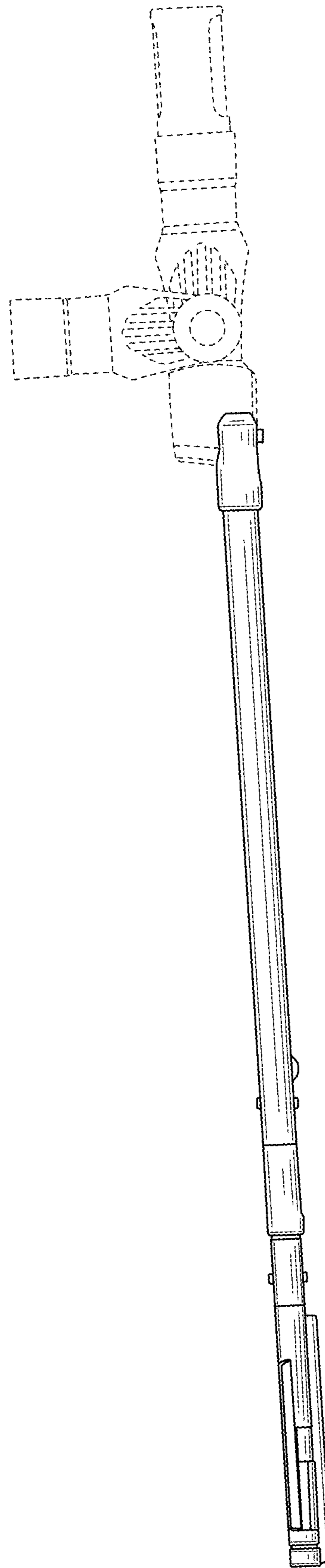
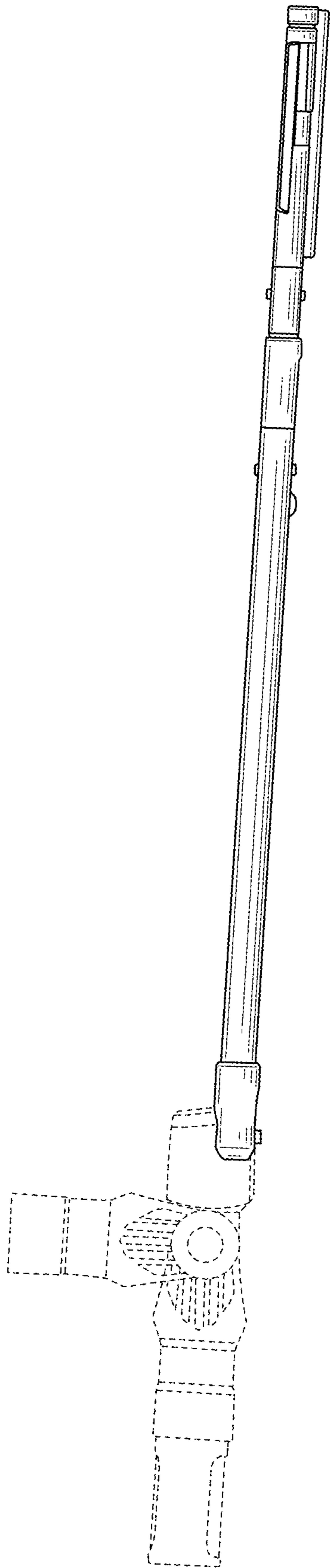


FIG. 3



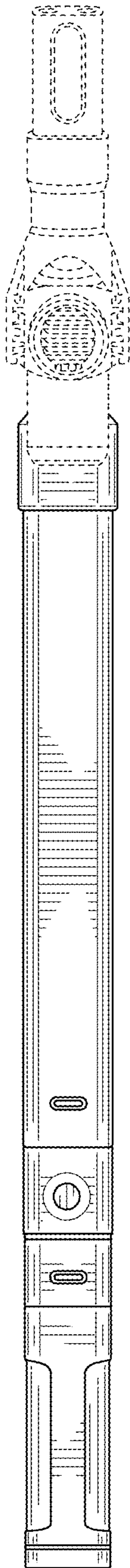


FIG. 6

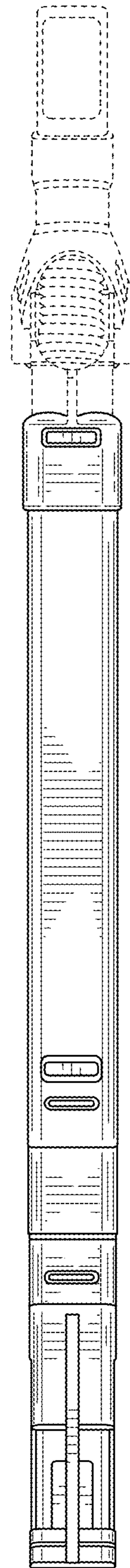


FIG. 7

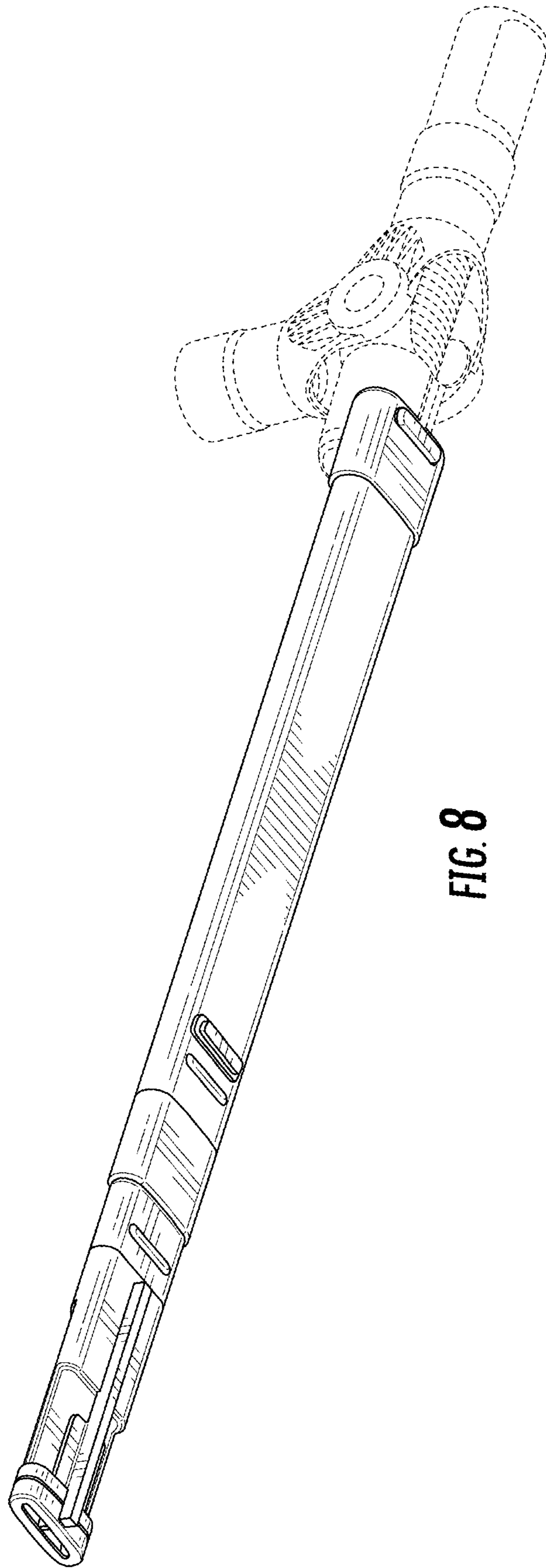


FIG. 8

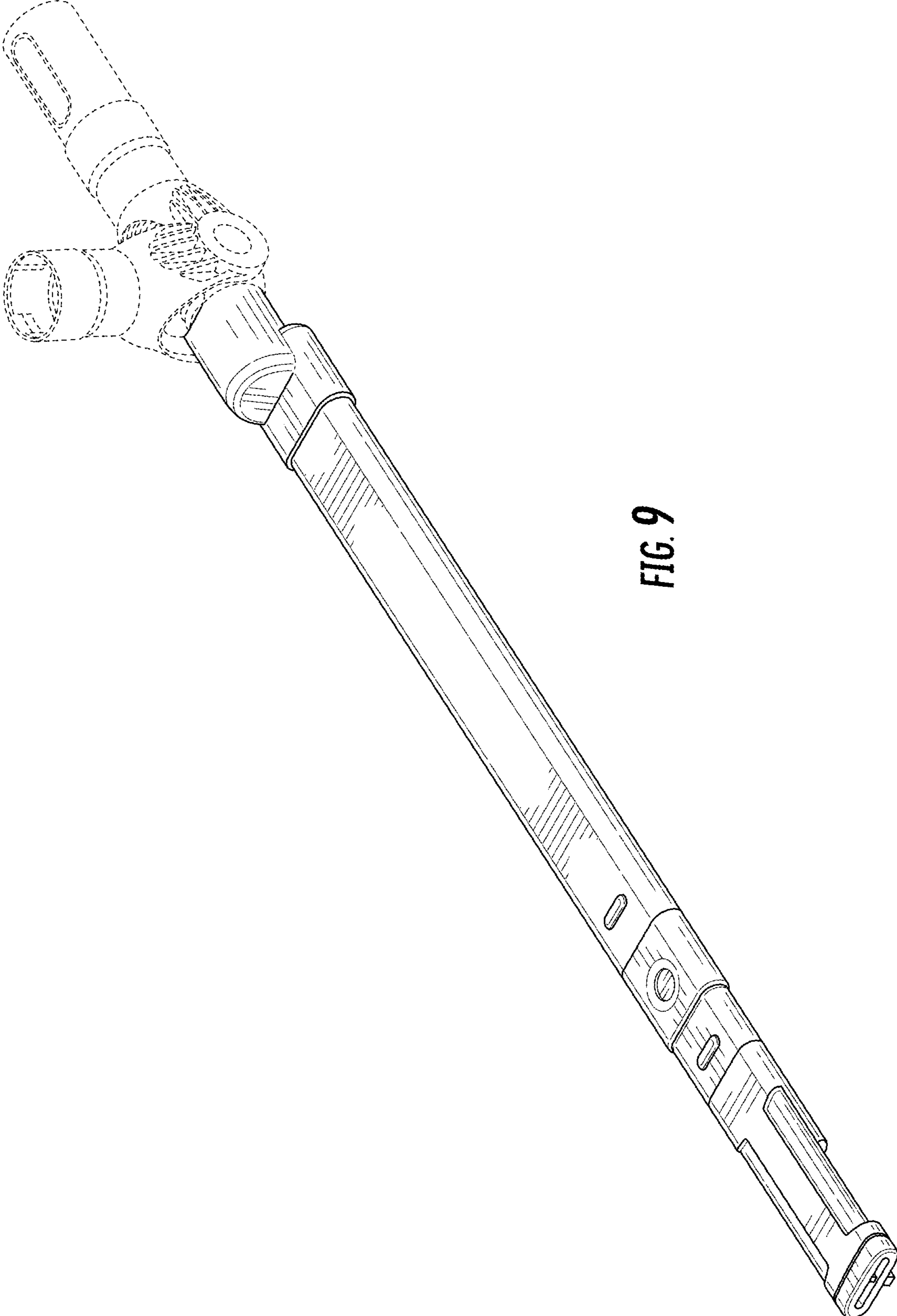


FIG. 9

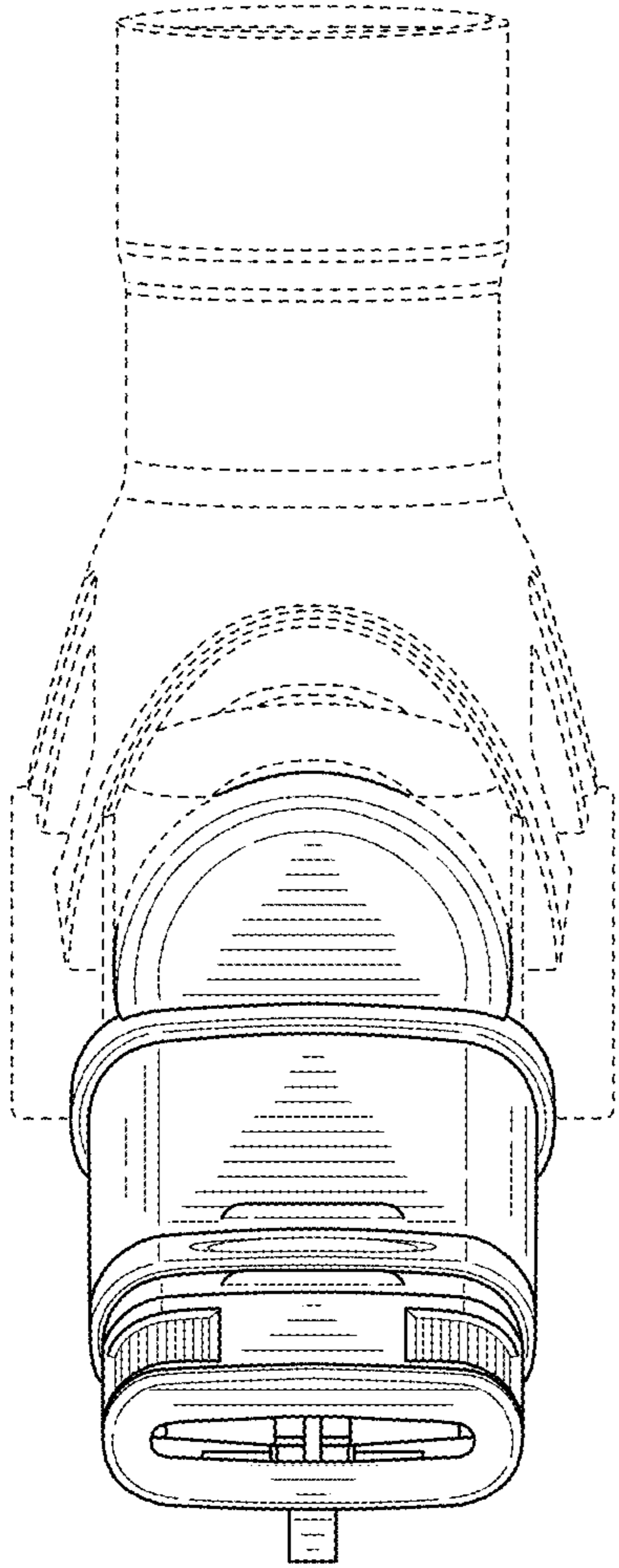


FIG. 10

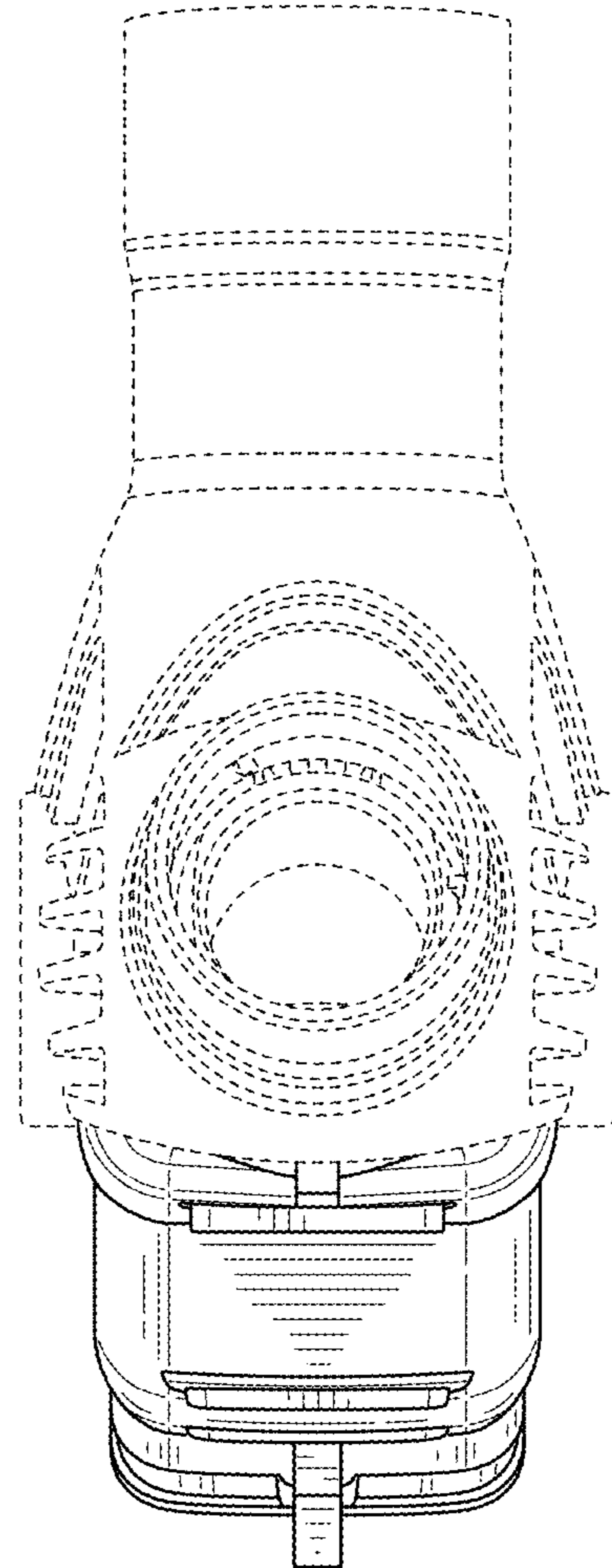


FIG. 11

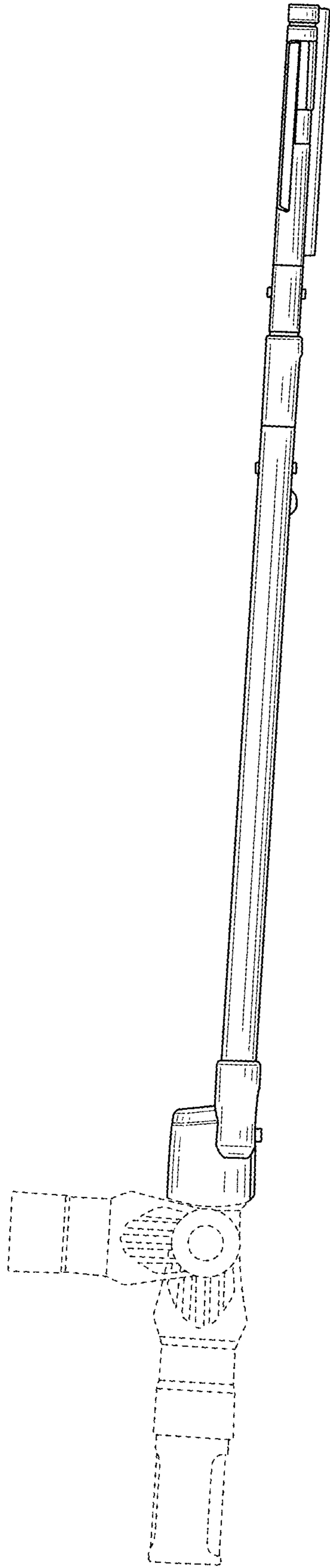


FIG. 12

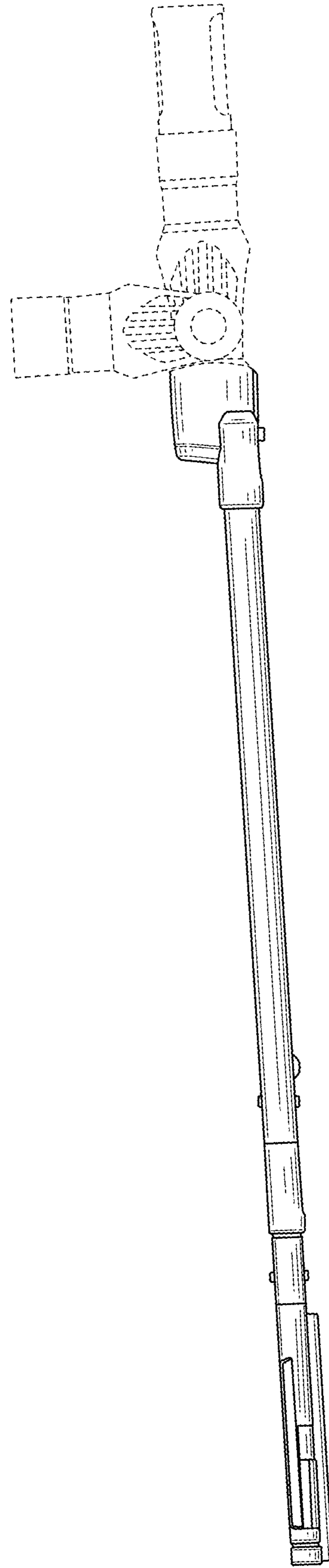


FIG. 13

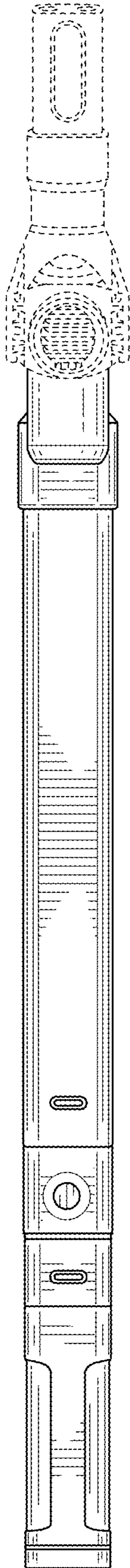


FIG. 14

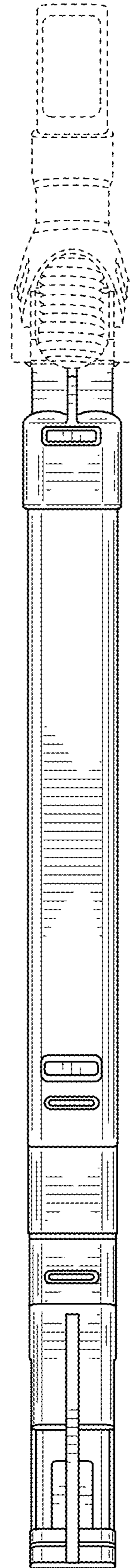


FIG. 15

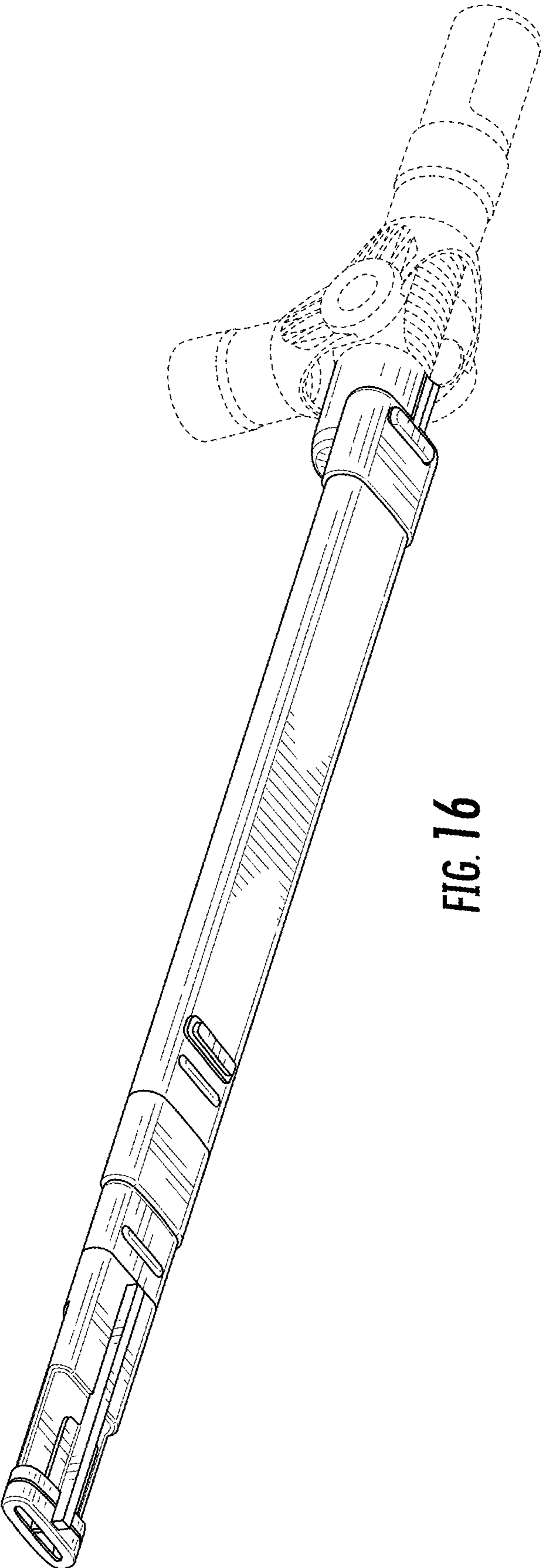


FIG. 16