



US00D888354S

(12) **United States Design Patent**
Kendall et al.

(10) **Patent No.:** **US D888,354 S**
(45) **Date of Patent:** **** Jun. 23, 2020**

(54) **LAUNDRY WASHING MODULE**

CPC D06F 33/02; D06F 39/02; D06F 2204/065;
D06F 25/00; D06F 35/006
See application file for complete search history.

(71) Applicant: **WHIRLPOOL CORPORATION**,
Benton Harbor, MI (US)

(56) **References Cited**

(72) Inventors: **James Kendall**, Mt. Prospect, IL (US);
Ameresh Viswanathan, Saint Joseph,
MI (US)

U.S. PATENT DOCUMENTS

(73) Assignee: **Whirlpool Corporation**, Benton
Harbor, MI (US)

2,060,065	A	11/1936	Gill et al.
2,786,730	A	3/1957	Thurston
3,402,477	A	9/1968	Hubbard
3,555,701	A	1/1971	Hubbard
3,606,506	A	9/1971	Ungaro
5,466,058	A	11/1995	Chan
5,951,127	A	9/1999	Smith
6,189,551	B1	2/2001	Sargeant et al.
D457,694	S	5/2002	Richardson
D460,224	S	7/2002	Richardson
D465,072	S	10/2002	Richardson
D467,691	S	12/2002	Richardson

(**) Term: **15 Years**

(21) Appl. No.: **29/638,233**

(22) Filed: **Feb. 26, 2018**

(Continued)

Related U.S. Application Data

FOREIGN PATENT DOCUMENTS

(63) Continuation of application No. 29/582,131, filed on Oct. 25, 2016, now Pat. No. Des. 818,217, which is a continuation of application No. 12/489,710, filed on Jun. 23, 2009, now abandoned, which is a continuation of application No. 11/323,221, filed on Dec. 30, 2005, now Pat. No. 7,624,600, which is a continuation of application No. 29/582,129, filed on Oct. 25, 2016, now Pat. No. Des. 816,282, which is a continuation of application No. 12/489,710, which is a continuation of application No. 11/322,740, filed on Dec. 30, 2005, now abandoned, which is a continuation of application No. 29/582,125, filed on Oct. 25, 2016, now Pat. No. Des. 824,606, which is a continuation of application No. 12/489,710, which is a continuation of application No. 11/323,125, filed on Dec. 30, 2005, now Pat. No. 7,628,043.

DE	2402065	7/1975
DE	3213420	10/1983

(Continued)

Primary Examiner — Michelle E. Wilson
(74) *Attorney, Agent, or Firm* — McGarry Bair PC

(51) **LOC (12) Cl.** **15-05**

(52) **U.S. Cl.**
USPC **D32/6**

(58) **Field of Classification Search**
USPC D32/1, 5-6, 8, 25, 28, 29

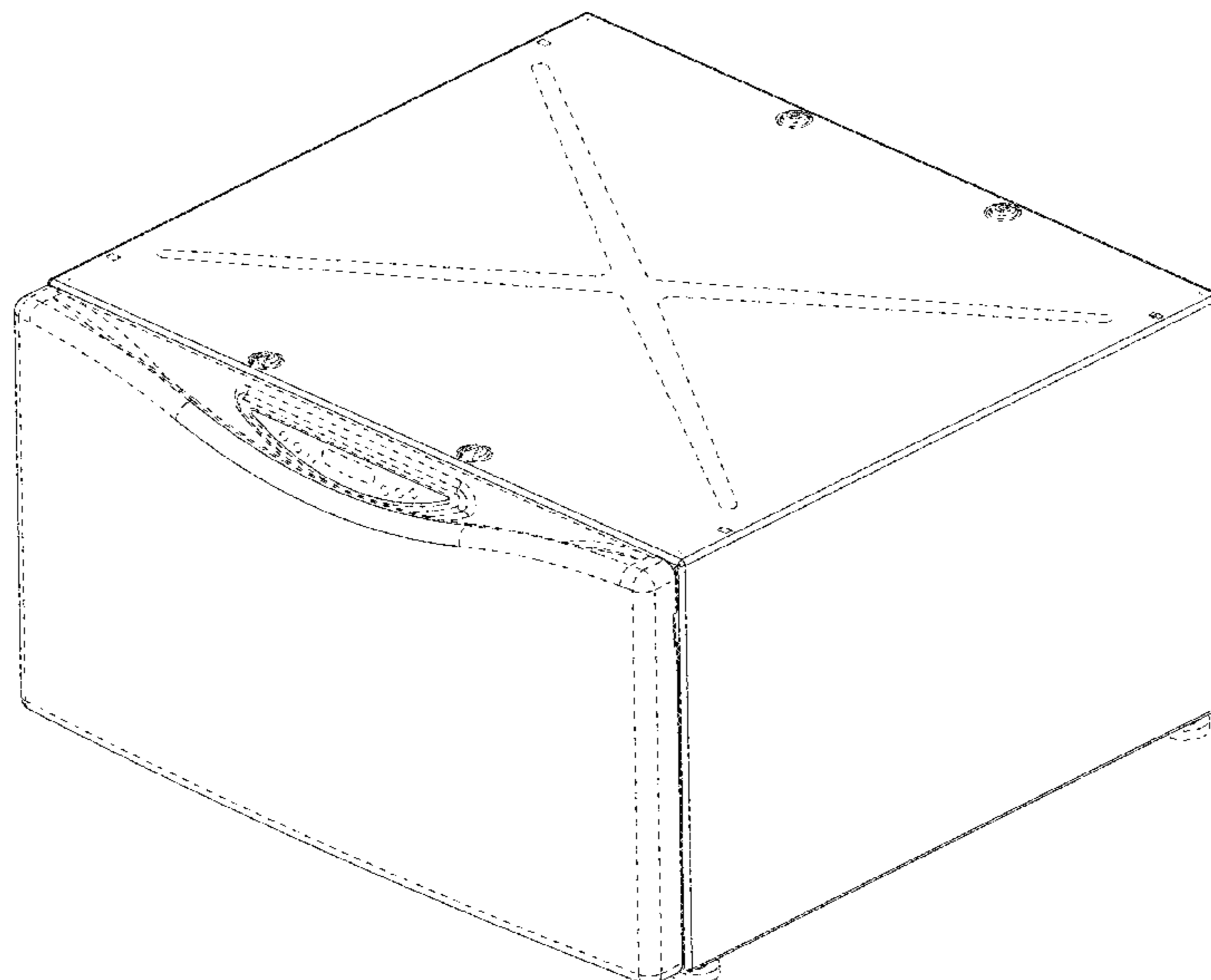
(57) **CLAIM**

The ornamental design for a laundry washing module, as shown and described.

DESCRIPTION

FIG. 1 is a front perspective view of a laundry washing module showing our new design; and, FIG. 2 is a front perspective view of the laundry washing module of FIG. 1, with a wash drawer of the laundry washing module in an opened position. The broken lines show portions of laundry washing module that form no part of the claimed design.

1 Claim, 2 Drawing Sheets



(56)

References Cited

U.S. PATENT DOCUMENTS

D474,566	S *	5/2003	Baldwin	D32/25
6,585,225	B1	7/2003	Lake		
6,618,887	B2	9/2003	Kim et al.		
6,732,552	B2	5/2004	Kim et al.		
D506,090	S	6/2005	Ben-Or		
D521,702	S	5/2006	No et al.		
D549,408	S *	8/2007	Lee	D32/25
7,513,132	B2	4/2009	Wright et al.		
D620,211	S *	7/2010	Shail	D32/25
D633,670	S *	3/2011	Grutzke	D32/25
7,913,419	B2 *	3/2011	Tomasi	D06F 29/00 211/85.3
D759,910	S *	6/2016	Chung	D32/6
D759,911	S *	6/2016	Chung	D32/6
D767,837	S *	9/2016	Chee	D32/25
D773,132	S *	11/2016	Ha	D32/25
D773,133	S *	11/2016	Ha	D32/25
D784,637	S *	4/2017	Kim	D32/25
D792,035	S *	7/2017	Chung	D32/6
2002/0017117	A1	2/2002	Sunshine et al.		
2004/0134087	A1	7/2004	Meyer		
2004/0134237	A1	7/2004	Sunshine et al.		

2004/0221624	A1	11/2004	Fumagalli
2004/0226320	A1	11/2004	Bongini
2004/0245899	A1	12/2004	Cho
2004/0263032	A1	12/2004	Cho
2005/0155393	A1	7/2005	Wright et al.
2005/0172678	A1	8/2005	Kim et al.
2005/0275325	A1	12/2005	Yang
2007/0151120	A1	7/2007	Tomasi et al.
2010/0018259	A1	1/2010	Jeong et al.
2010/0101282	A1	4/2010	Jeong et al.

FOREIGN PATENT DOCUMENTS

DE	4228469	5/1993
DE	9419048	3/1995
DE	19838630	3/2000
DE	20101254	4/2001
DE	10055918	5/2002
DE	20302572	4/2003
EP	1205129	5/2002
EP	1467015	10/2004
KR	2005115968 A	12/2005
WO	9829595	7/1998

* cited by examiner

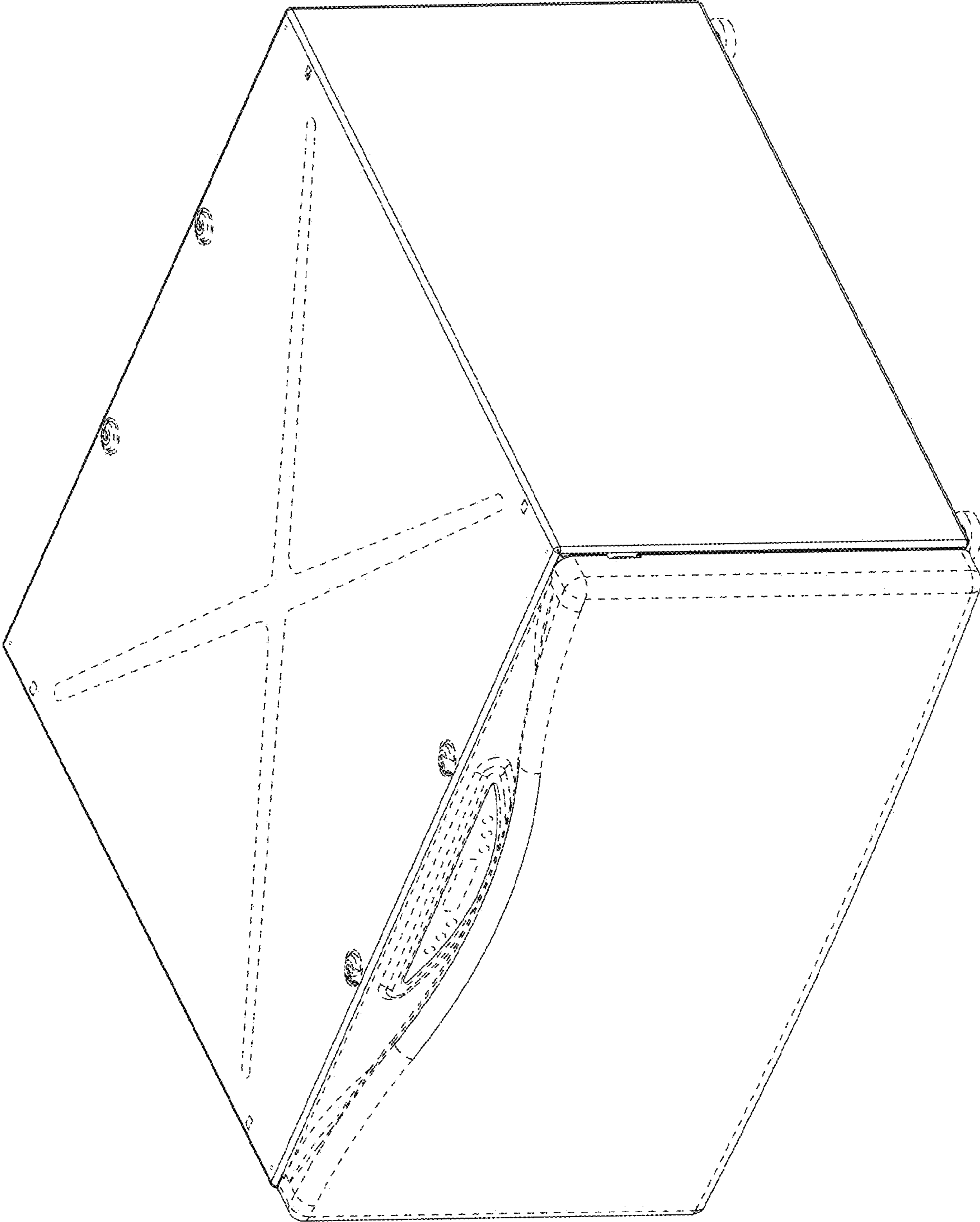


FIG. 1

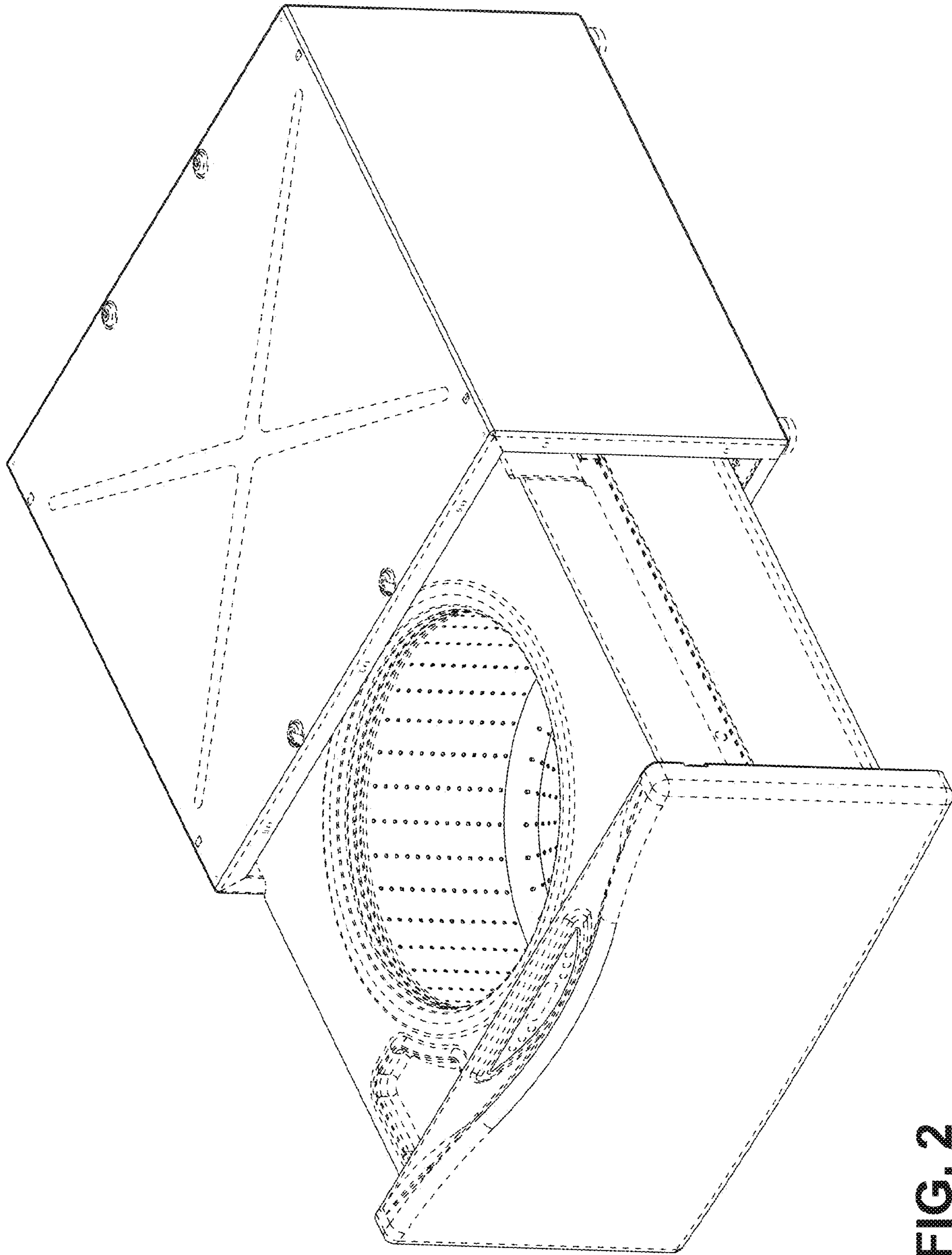


FIG. 2