



US00D888353S

(12) **United States Design Patent**
Lan et al.

(10) **Patent No.:** **US D888,353 S**
(45) **Date of Patent:** **** Jun. 23, 2020**

(54) **BARK CONTROL**

(71) Applicant: **Shenzhen Xcho Technology Limited**,
Shenzhen (CN)

(72) Inventors: **Zhangli Lan**, Shenzhen (CN); **Yukun Yang**,
Shenzhen (CN); **Jian Li**, Shenzhen (CN)

(**) Term: **15 Years**

(21) Appl. No.: **29/677,992**

(22) Filed: **Jan. 25, 2019**

(51) **LOC (12) Cl.** **30-99**

(52) **U.S. Cl.**
USPC **D30/199**; D10/104.1

(58) **Field of Classification Search**
USPC D30/151–155, 144, 199, 160;
119/792–798, 850, 855–859, 863–865,
119/654, 905, 907, 815, 712, 802, 784,
119/769, 760, 776, 862, 908, 860,
119/719–721; 242/381.1–381.2, 385.4,
242/378.3, 376.1, 385.1, 916, 601, 570,
242/405, 404, 371, 223, 170, 388.1,
242/405.2, 377, 381.3, 381.6, 405.3,
242/388.6, 384.7, 382, 396.1, 404.1, 380;
362/108; 33/767, 769, 414; D12/400;
D3/229, 230, 207, 208, 215; 40/1.5, 455,
40/640, 303; 206/63.3, 459.5, 702, 408;
D6/515; D8/358, 360, 347, 360.1, 359,
D8/356, DIG. 1; D24/145, 167, 186, 146,
D24/169; D10/57, 72, 106.1, 104.1,
D10/104.2, 109.2, 70, 97, 98, 78, 65;
D20/28; 224/666, 678; 16/445; 283/74,
283/70; D11/232, 200, 216, 1, 2, 86, 87,
D11/201, 206–210, 212–215, 218;
24/163 K, 122.3, 323, 702, 600.4–600.7,
24/163 R, 169–171, 173, 177–179, 191,
24/194, 195, 197, 200, 303, 616, 635,
24/313, 615, 3, 6, 3 K, 599.2, 96, 221,
24/237, 311, 312, 314, 321, 338, 339,

24/309; 428/3, 4; 54/76, 1, 71; 63/29.1,
63/3; 191/12.2 R, 12.4; D13/154, 153,
D13/137.4, 155, 103, 168; D19/69, 67;
379/438; 446/26; 473/576; D22/140;
174/135; 439/504, 13, 501; D34/33;
188/83, 82.1, 65.1; 254/134, 3 FT;
(Continued)

(56) **References Cited**

U.S. PATENT DOCUMENTS

D330,173 S * 10/1992 Juliana D30/152
5,207,178 A * 5/1993 McDade A01K 27/009
119/859

(Continued)

Primary Examiner — Susan Moon Lee

(74) *Attorney, Agent, or Firm* — Prakash Nama; Global
IP Services, PLLC

(57) **CLAIM**

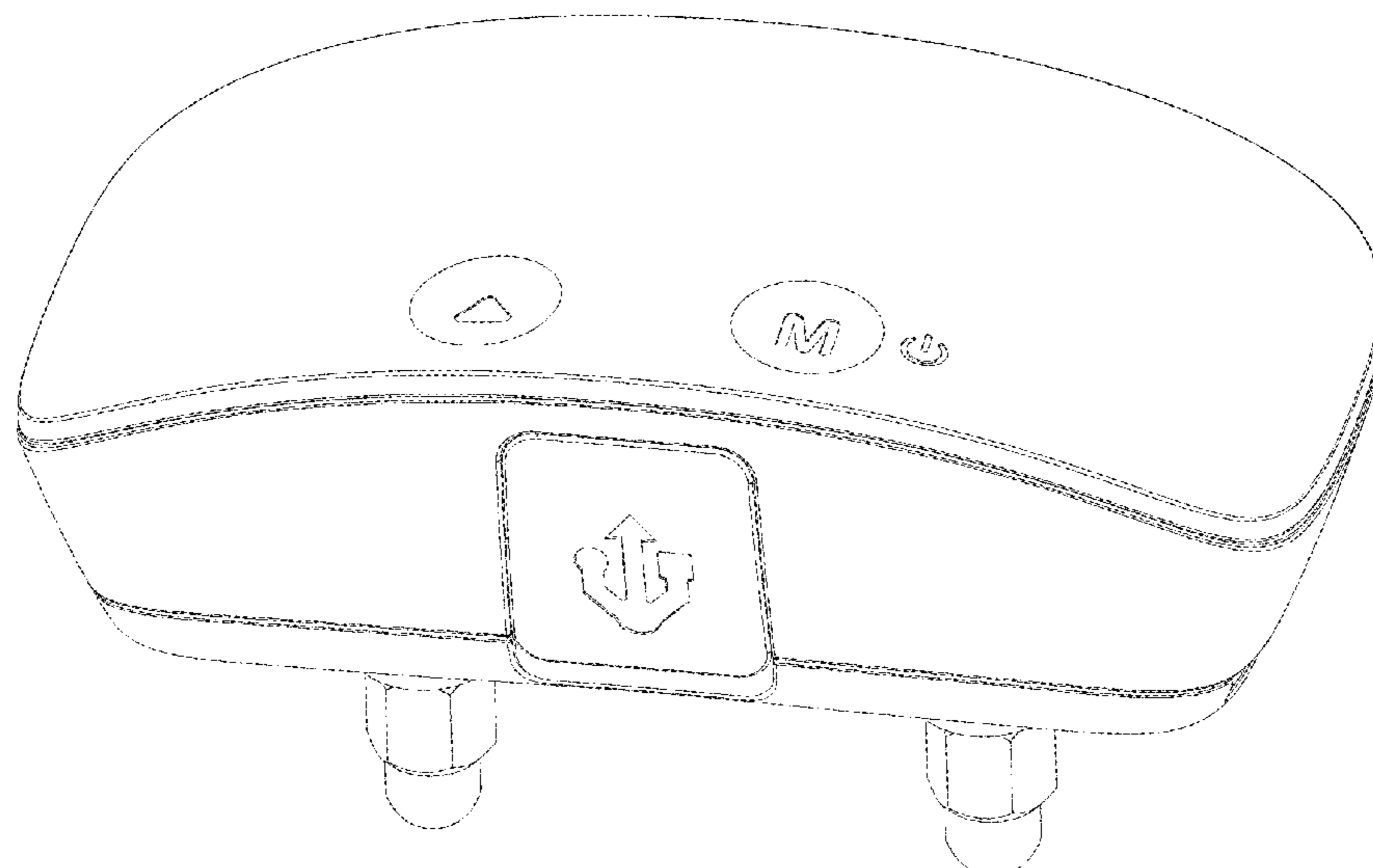
The ornamental design for a bark control, as shown and
described.

DESCRIPTION

FIG. 1 is a front elevational view of a bark control showing
our new design;
FIG. 2 is a rear elevational view thereof;
FIG. 3 is a left side view thereof;
FIG. 4 is a right side view thereof;
FIG. 5 is a top plan view thereof;
FIG. 6 is a bottom plan view thereof;
FIG. 7 is a perspective view thereof;
FIG. 8 is second perspective view thereof;
FIG. 9 is third perspective view thereof; and,
FIG. 10 is fourth perspective view thereof.

The broken lines depict unclaimed features of the bark
control, shown for purposes of illustration, and form no part
of the claimed design.

1 Claim, 10 Drawing Sheets



(58) **Field of Classification Search**

USPC D29/124; D2/627, 624, 633, 625;
 132/145, 146, 148; 2/314; 59/79.1;
 340/573.3, 573.1, 573; 343/895;
 278/8 AES; 231/7; 361/232; D14/344,
 D14/341, 137, 496, 203.5, 203.3, 144,
 D14/218, 188, 216, 192; 342/357.51,
 342/357.57, 357.52, 357.55
 CPC A01K 15/021; A01K 15/02; A01K 15/022;
 A01K 15/023; A01K 15/029; A01K
 15/04; A01K 15/00; A01K 15/006; A01K
 12/022; A01K 27/009; A01K 27/00;
 A01K 27/001; A01K 27/006-008; A01K
 29/005; A01K 29/00; A61B
 5/0002-5/0028; A61B 5/681; A61B
 5/6822; A61B 5/6824; A61B 5/6829
 See application file for complete search history.

(56) **References Cited**

U.S. PATENT DOCUMENTS

D336,055 S * 6/1993 Juliana D30/152
 D385,855 S * 11/1997 Ronzani D14/344
 D387,898 S * 12/1997 Ronzani D3/215
 D400,458 S * 11/1998 Titus D10/104.1
 D410,206 S * 5/1999 Slater D10/104.1
 D428,218 S * 7/2000 Dehart D30/152
 D445,352 S * 7/2001 So D30/199
 6,712,025 B2 * 3/2004 Peterson A01K 15/023
 119/721
 6,907,844 B1 * 6/2005 Crist A01K 15/022
 119/718
 D520,894 S * 5/2006 Zakharyan D30/199
 D526,590 S * 8/2006 So D10/104.1
 7,198,009 B2 * 4/2007 Crist A01K 15/022
 119/718
 7,249,572 B2 * 7/2007 Goetzl A01K 15/021
 119/719
 D555,298 S * 11/2007 Garon D30/152
 7,382,328 B2 * 6/2008 Lee, IV H01Q 1/44
 343/718
 7,552,699 B2 * 6/2009 Moore A01K 15/021
 119/719
 7,559,291 B2 * 7/2009 Reinhart A01K 27/009
 119/720
 7,644,685 B2 * 1/2010 Groh A01K 15/021
 119/856
 7,685,971 B1 * 3/2010 Bethke A01K 15/021
 119/719
 D631,552 S * 1/2011 Kasabach D24/186
 D632,853 S * 2/2011 Hardi D30/144
 D637,365 S * 5/2011 Li D30/155
 D657,098 S * 4/2012 So D30/152
 D665,952 S * 8/2012 Guo D30/152
 D673,334 S * 12/2012 Guo D30/152
 D683,915 S * 6/2013 So D30/152
 8,714,113 B2 * 5/2014 Lee, IV A01K 15/022
 119/718
 D706,159 S * 6/2014 Ma D11/3
 D709,047 S * 7/2014 Jennings D14/167
 8,783,212 B2 * 7/2014 Bellon A01K 15/021
 119/720
 D710,228 S * 8/2014 Burke D10/104.1
 D710,229 S * 8/2014 Burke D10/104.1
 8,803,692 B2 * 8/2014 Goetzl A01K 27/009
 340/573.3
 D713,103 S * 9/2014 Sproviero D30/199
 D715,675 S * 10/2014 Ma D11/3
 D726,052 S * 4/2015 Henning D10/70
 D737,709 S * 9/2015 Hulan D10/104.1

D740,150 S * 10/2015 Howsam D11/3
 D746,477 S * 12/2015 Cha D24/186
 D749,005 S * 2/2016 Bruce D10/104.1
 D751,210 S * 3/2016 Thomas D24/186
 9,332,812 B2 * 5/2016 Ma A44C 15/0015
 D798,003 S * 9/2017 Dong D30/199
 D805,482 S * 12/2017 McRoberts D13/168
 9,861,080 B1 * 1/2018 Hathway A01K 27/009
 D811,016 S * 2/2018 Liu D30/152
 D811,385 S * 2/2018 Hosoda D14/341
 D812,499 S * 3/2018 Kuh D10/70
 D817,557 S * 5/2018 Liu D30/152
 D822,516 S * 7/2018 Van Curen D10/104.1
 D822,915 S * 7/2018 McKee D30/152
 D822,921 S * 7/2018 Wen D30/199
 D822,922 S * 7/2018 Wen D30/199
 D824,863 S * 8/2018 McRoberts D13/168
 D824,899 S * 8/2018 Yang D14/344
 D826,763 S * 8/2018 Chuang D11/3
 D829,120 S * 9/2018 Mitchell D10/104.1
 D834,769 S * 11/2018 Wen D30/199
 D835,533 S * 12/2018 Zheng D10/70
 10,154,651 B2 * 12/2018 Goetzl A01K 15/023
 D838,923 S * 1/2019 Ni D30/199
 D850,732 S * 6/2019 Dong D30/152
 D850,733 S * 6/2019 Dong D30/152
 D851,339 S * 6/2019 Solinsky D30/152
 D858,904 S * 9/2019 Zinn D30/152
 D861,259 S * 9/2019 Dong D30/152
 D872,383 S * 1/2020 Darnell D30/152
 2004/0162875 A1 * 8/2004 Brown G08B 5/223
 709/203
 2005/0059909 A1 * 3/2005 Burgess A61F 7/007
 601/15
 2005/0145196 A1 * 7/2005 Crist A01K 15/022
 119/718
 2005/0145198 A1 * 7/2005 Crist A01K 15/022
 119/718
 2005/0145200 A1 * 7/2005 Napolez A01K 15/022
 119/718
 2005/0211187 A1 * 9/2005 Harman A01K 15/023
 119/721
 2006/0207520 A1 * 9/2006 Moore A01K 15/021
 119/720
 2007/0209604 A1 * 9/2007 Groh A01K 15/021
 119/858
 2007/0221138 A1 * 9/2007 Mainini A01K 15/021
 119/720
 2008/0114220 A1 * 5/2008 Banet A61B 5/021
 600/301
 2011/0232585 A1 * 9/2011 Rich A01K 15/023
 119/721
 2012/0160182 A1 * 6/2012 So A01K 15/021
 119/720
 2012/0160183 A1 * 6/2012 So A01K 15/021
 119/720
 2013/0027207 A1 * 1/2013 Goetzl A01K 11/008
 340/573.3
 2013/0112153 A1 * 5/2013 So A01K 15/021
 119/720
 2013/0233252 A1 * 9/2013 Bellon A01K 15/021
 119/720
 2015/0033794 A1 * 2/2015 Ma A44C 15/0015
 63/1.13
 2015/0040839 A1 * 2/2015 Goetzl A01K 15/023
 119/720
 2016/0242387 A1 * 8/2016 Ecker A01K 15/021
 2017/0208775 A1 * 7/2017 Van Curen A01K 15/022
 2018/0132450 A1 * 5/2018 Goetzl A01K 27/009
 2018/0153137 A1 * 6/2018 Goetzl A01K 15/022
 2018/0153138 A1 * 6/2018 Goetzl A01K 15/022

* cited by examiner

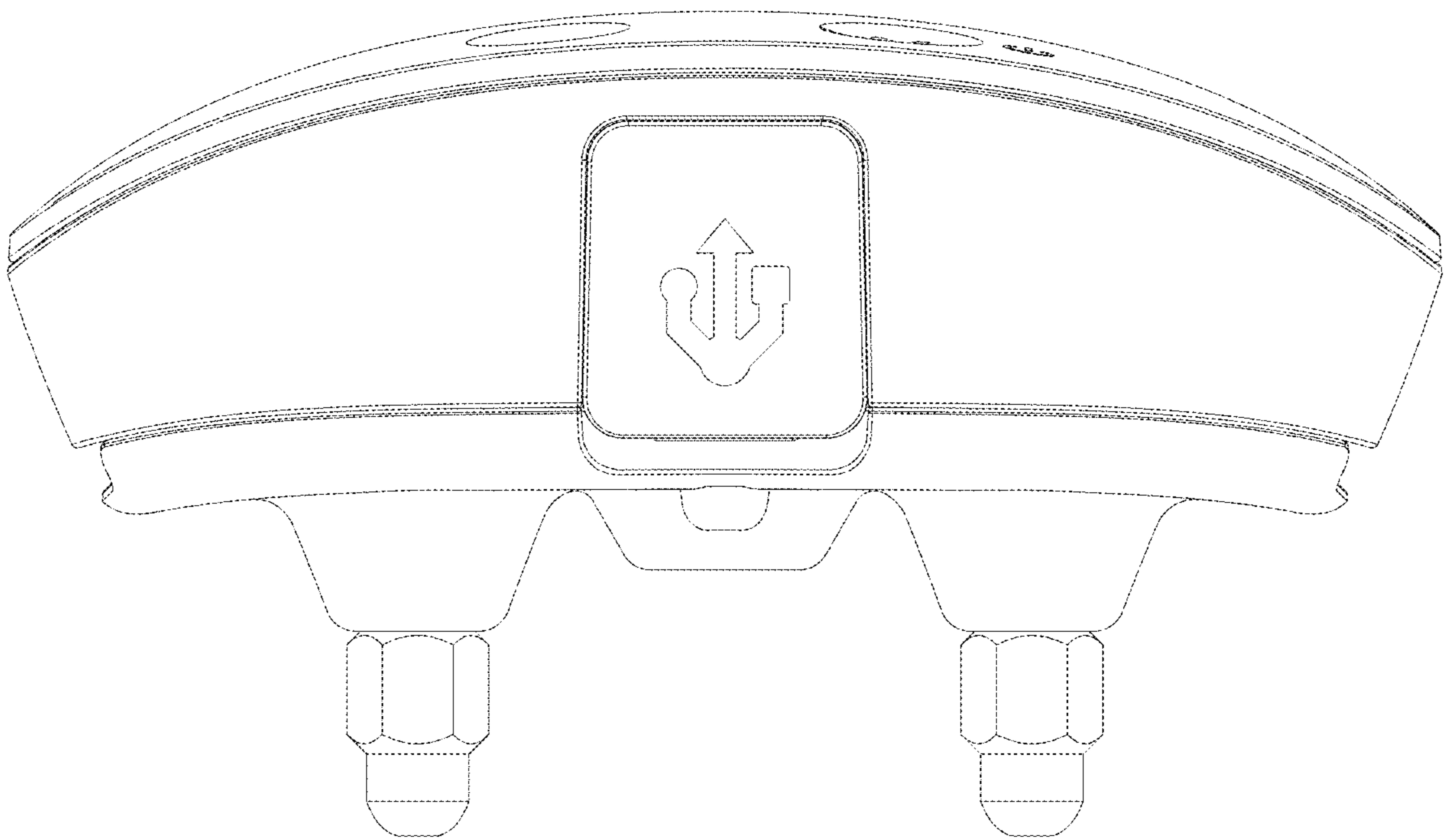


FIG. 1

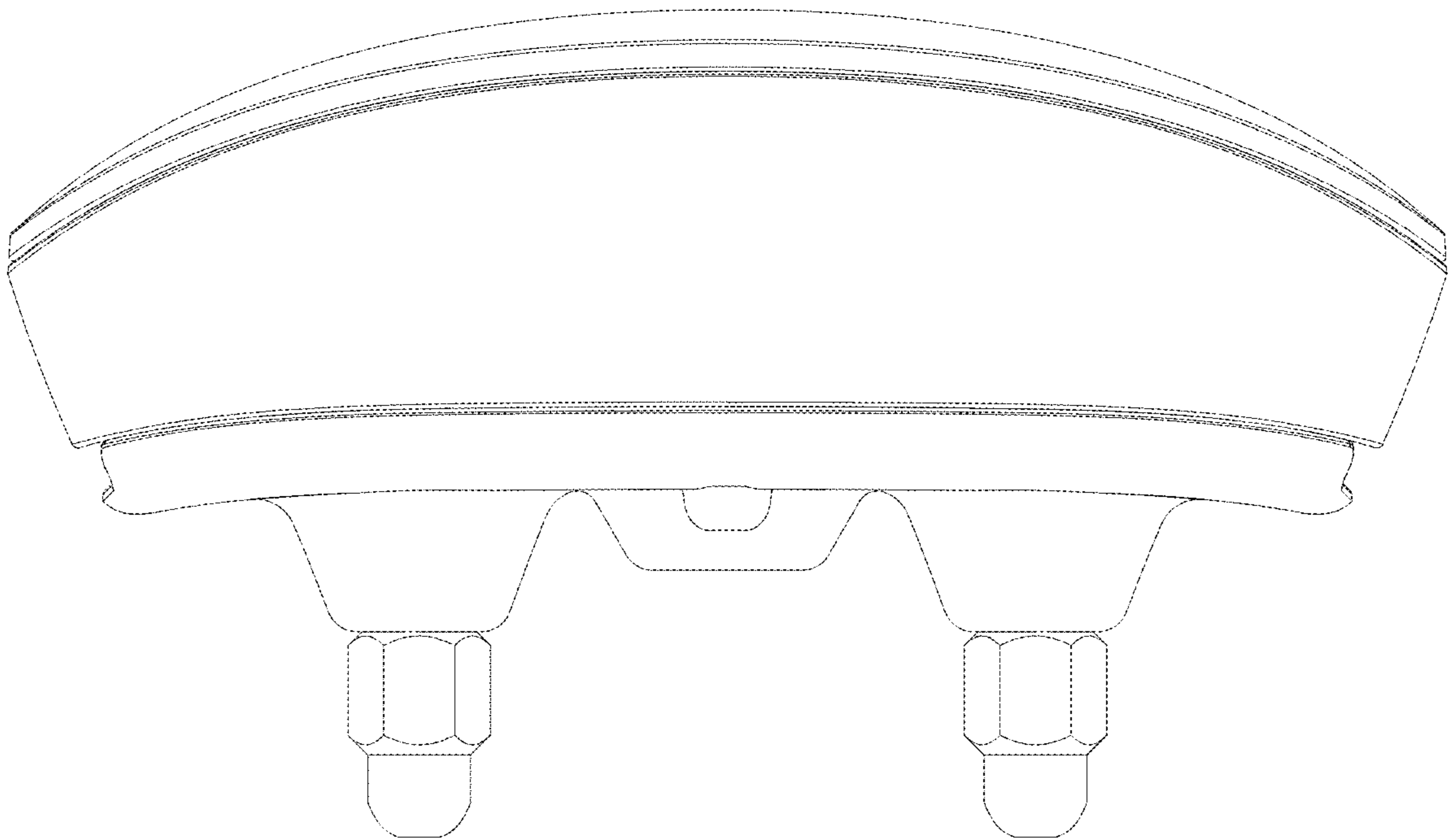


FIG. 2

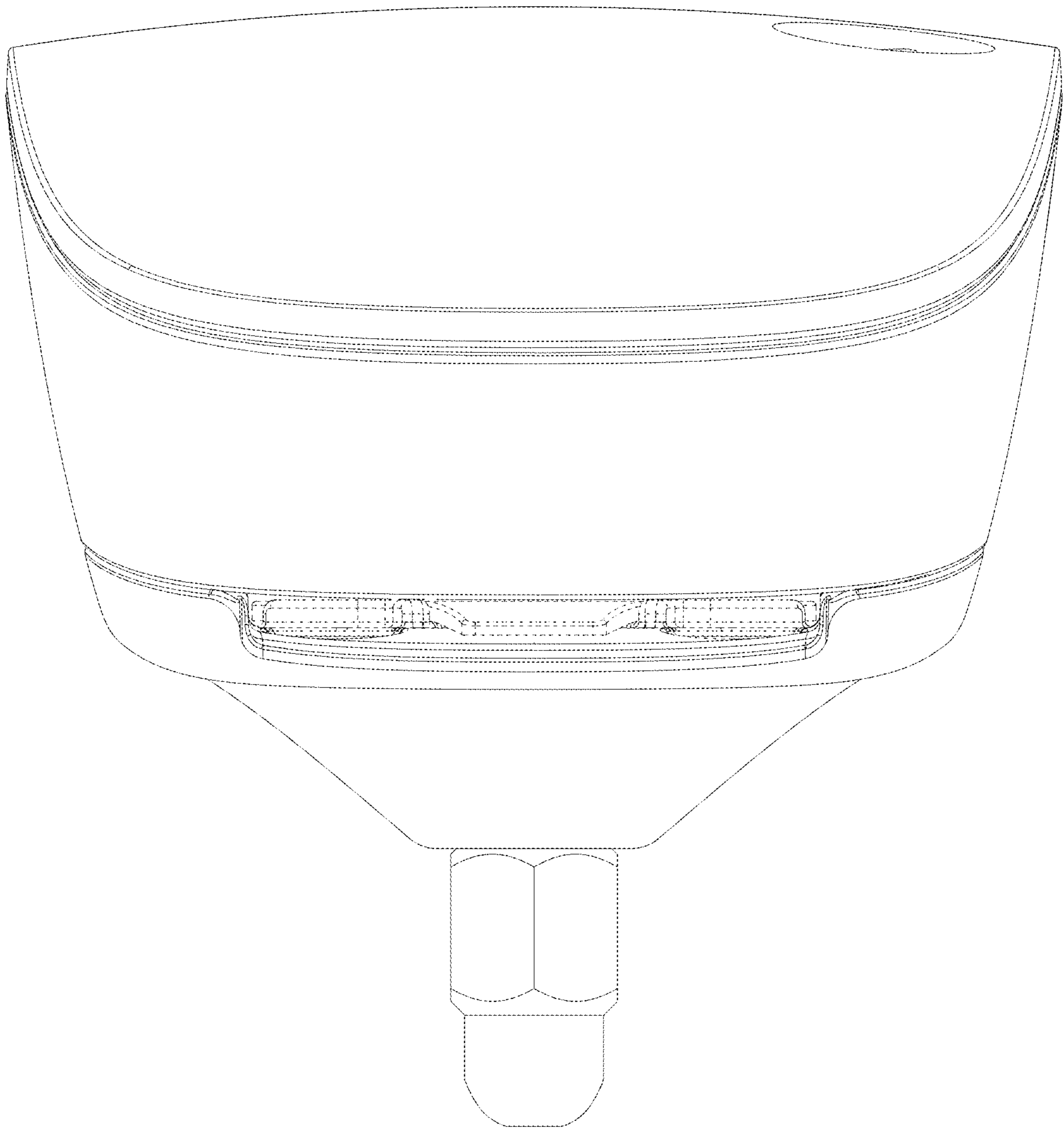


FIG. 3

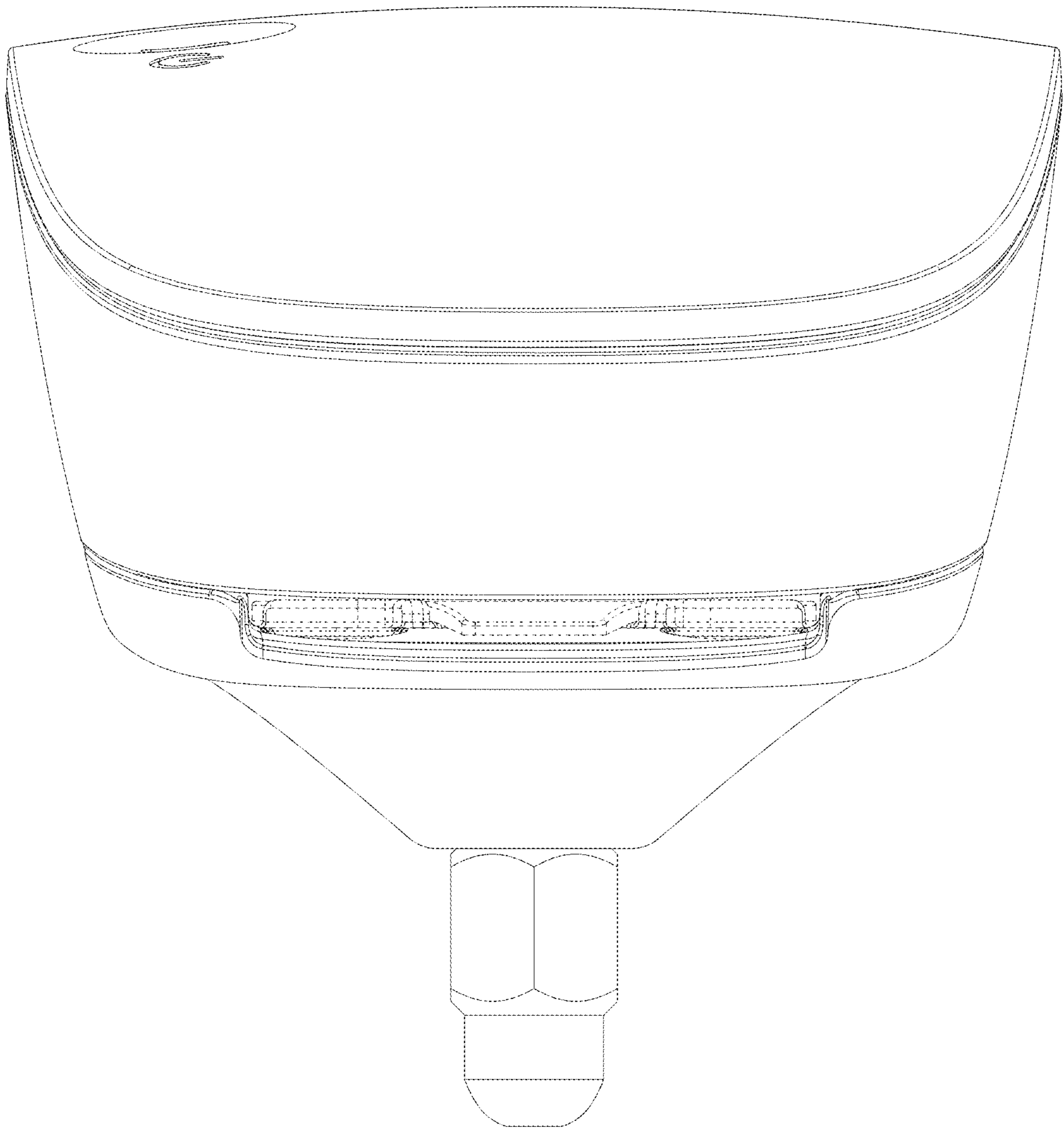


FIG. 4

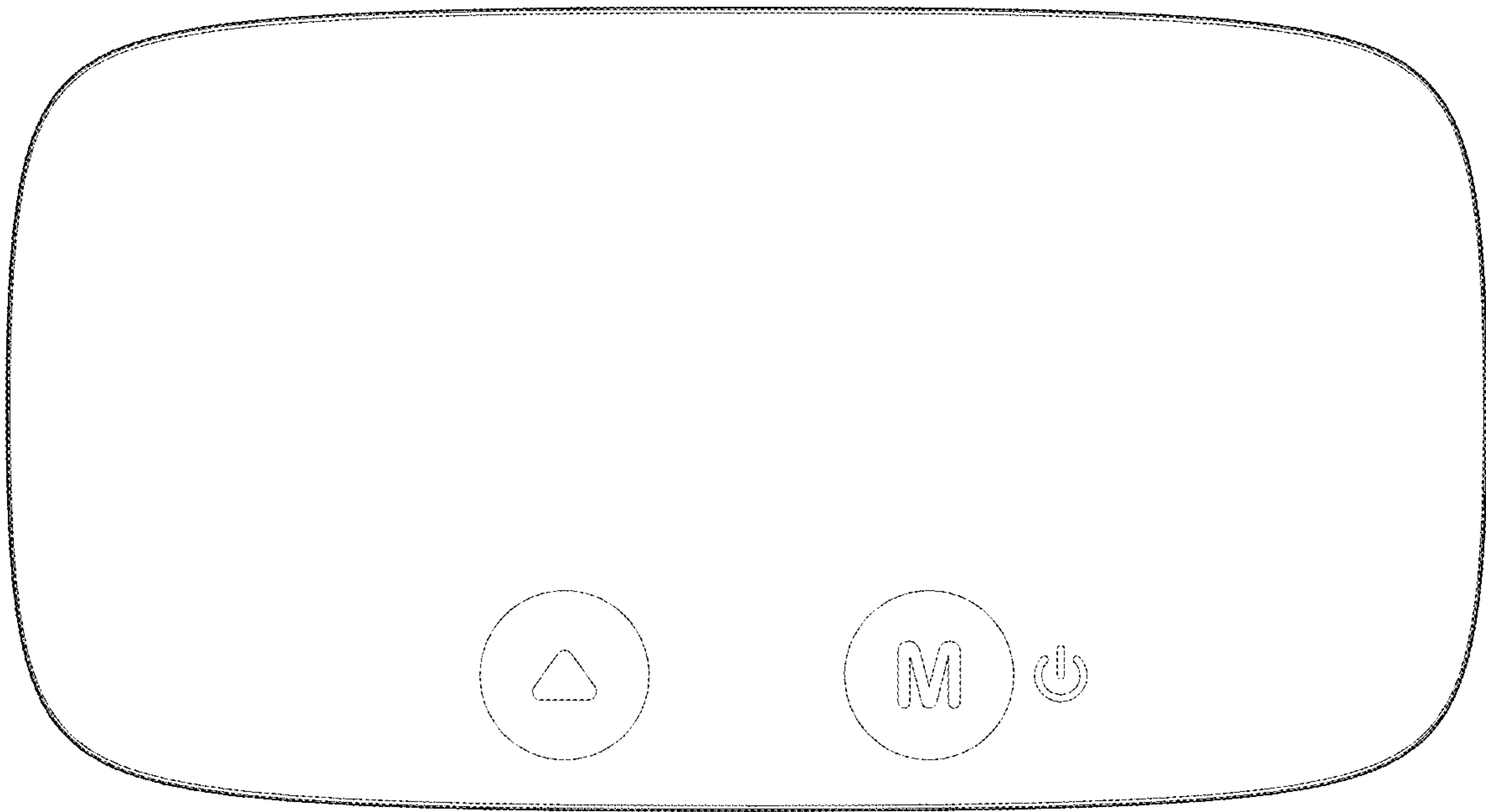


FIG. 5

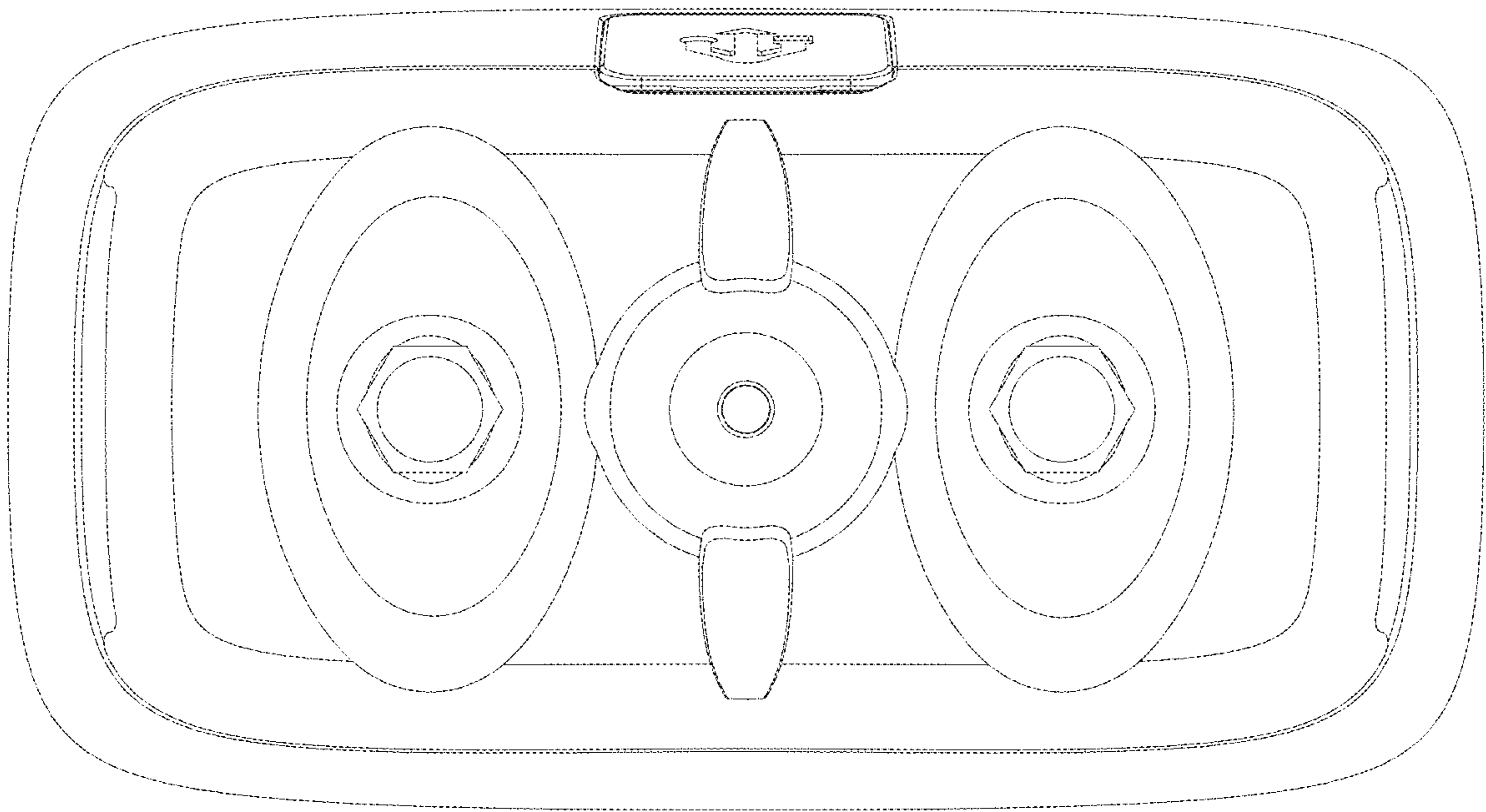


FIG. 6

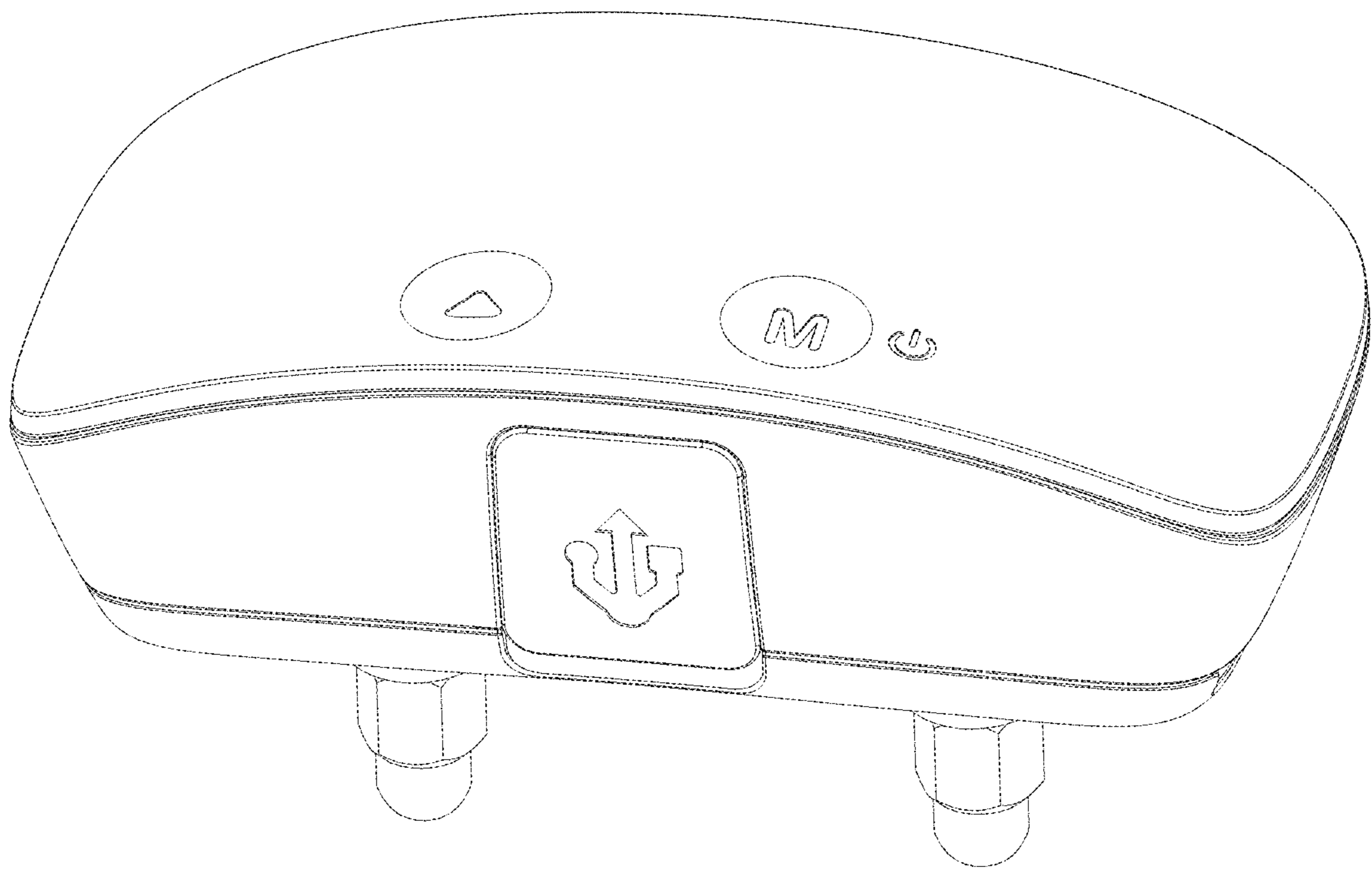


FIG. 7

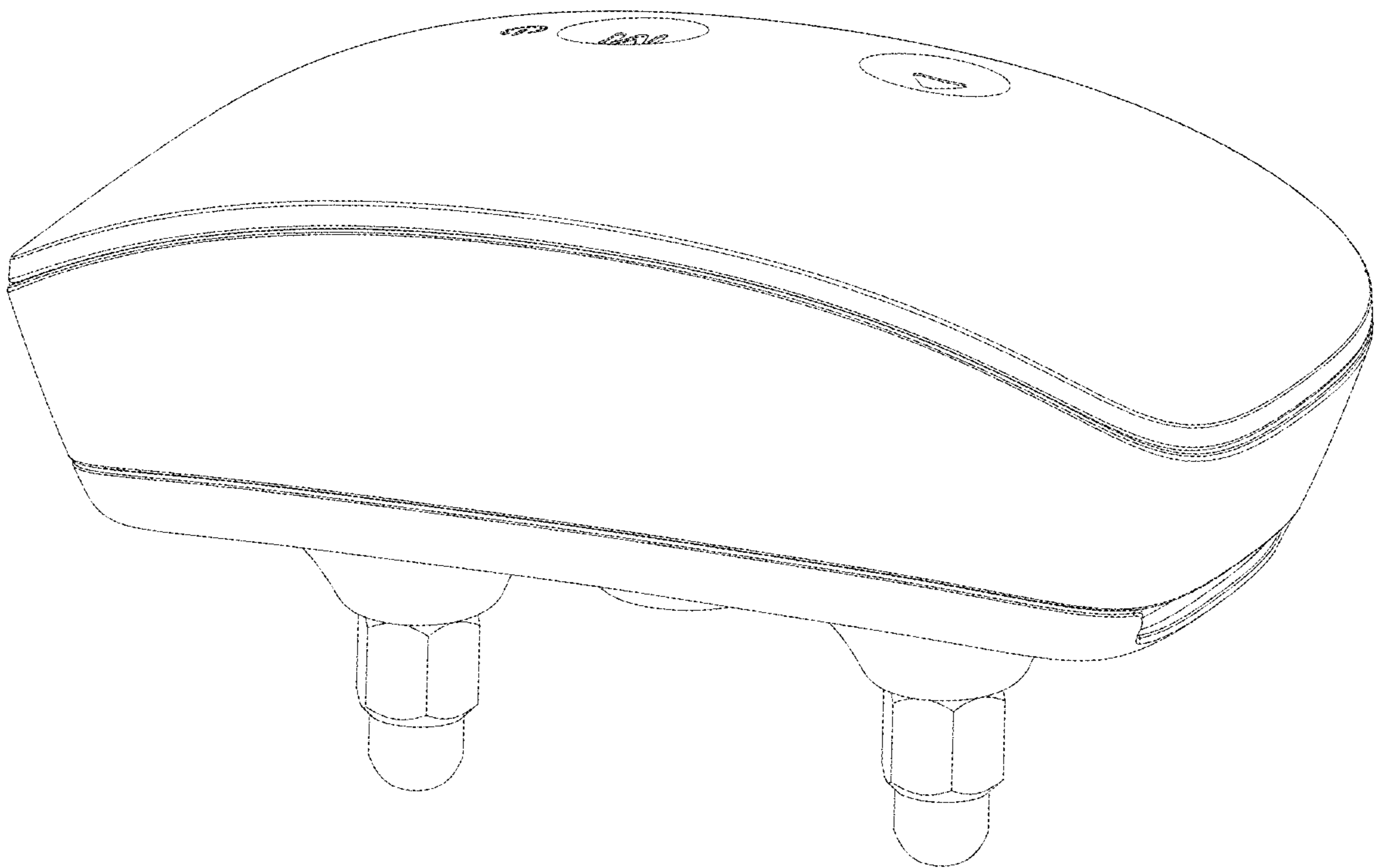


FIG. 8

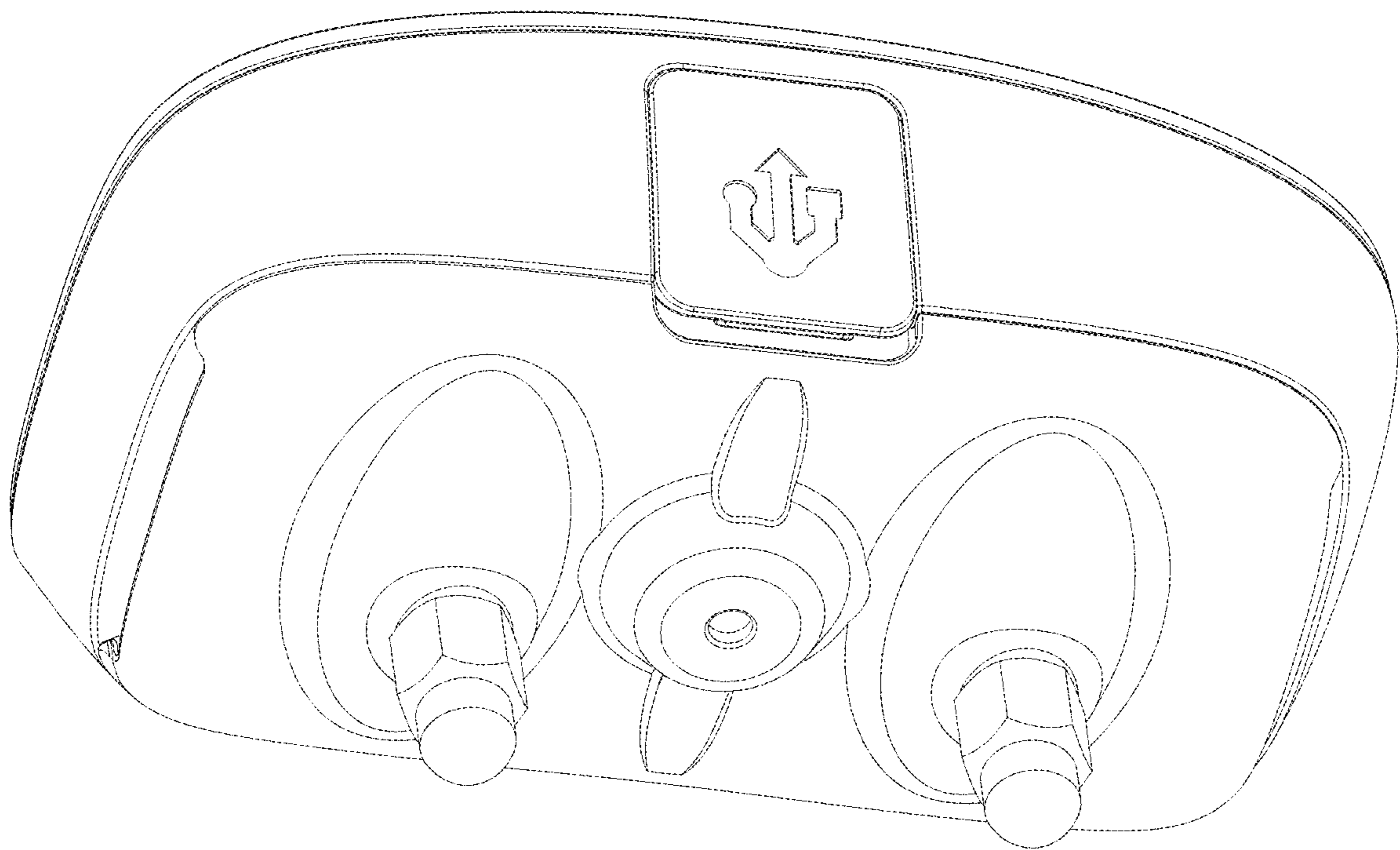


FIG. 9

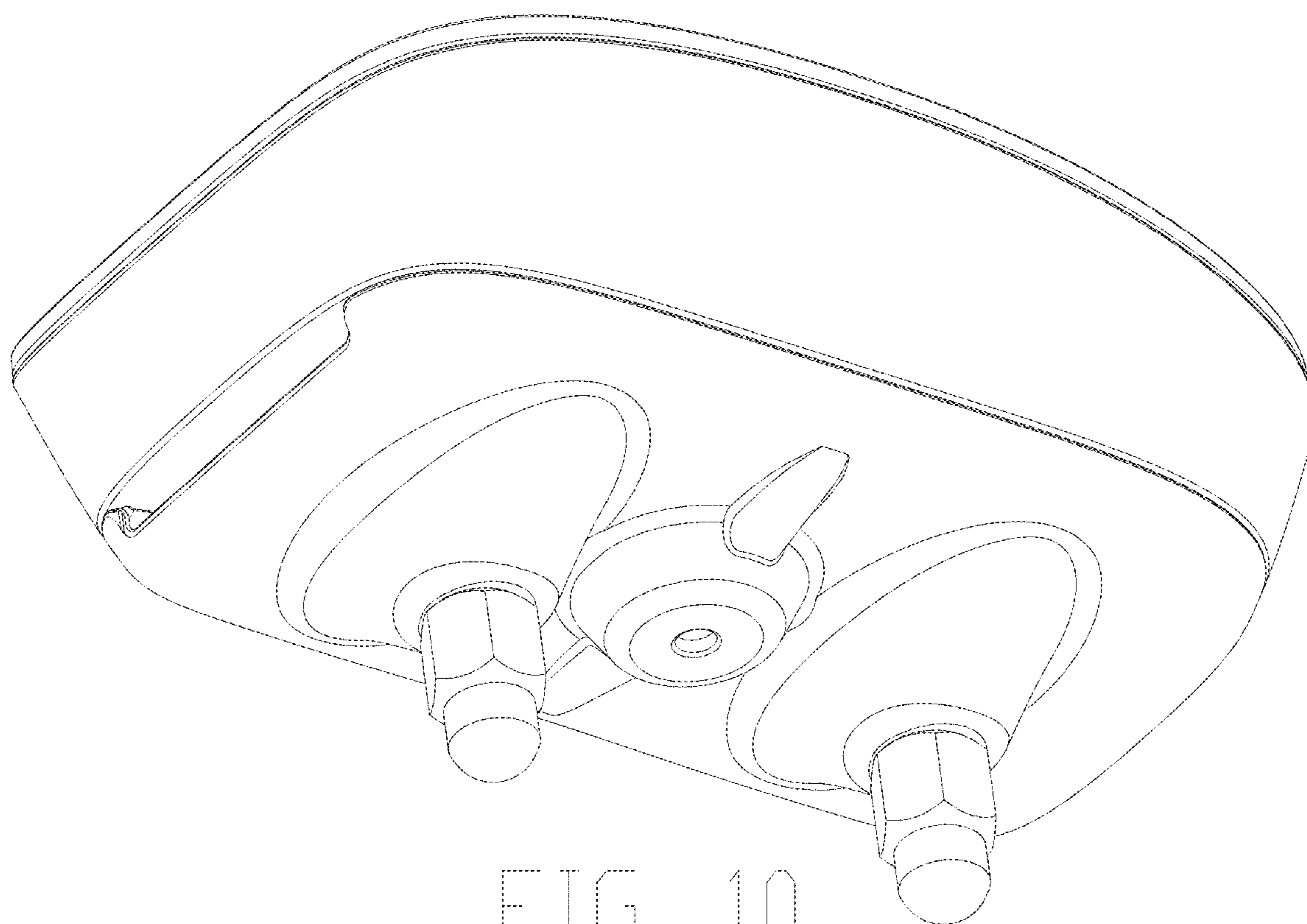


FIG. 10