



US00D888352S

(12) **United States Design Patent** (10) **Patent No.:** **US D888,352 S**
Olivier et al. (45) **Date of Patent:** **** Jun. 23, 2020**

(54) **LITTER BOX**
(71) Applicant: **Pet Fusion, LLC**, Fanwood, NJ (US)
(72) Inventors: **Theo Olivier**, Durban (ZA); **Andrew Roost**, Fanwood, NJ (US)
(73) Assignee: **Pet Fusion, LLC**, Fanwood, NJ (US)
(**) Term: **15 Years**
(21) Appl. No.: **29/615,277**
(22) Filed: **Aug. 28, 2017**
(51) **LOC (12) Cl.** **30-99**
(52) **U.S. Cl.**
USPC **D30/161**
(58) **Field of Classification Search**
USPC D30/108-120, 161, 162, 199; D3/304,
D3/314; 119/28.5, 161, 163, 165, 166,
119/167, 168, 169, 170, 452, 453, 482,
119/496, 498, 499, 702, 707; D6/457,
D6/475; 206/203
CPC A01K 1/0353; A01K 1/011; A01K 1/0114;
A01K 1/0107
See application file for complete search history.

D678,632 S * 3/2013 Chance D30/161
8,683,952 B2 4/2014 Miller
D732,827 S * 6/2015 Suomela D3/304
D751,678 S * 3/2016 Davis D23/278
D782,133 S * 3/2017 Veness D30/161
D782,754 S * 3/2017 Veness D30/161
(Continued)

FOREIGN PATENT DOCUMENTS

EP 0 486 412 B1 5/1992
WO 2007/001279 A1 1/2007

OTHER PUBLICATIONS

“Caffusion”, posted Oct. 22, 2016 [online], [retrieved May 8, 2019]. Retrieved from internet, https://www.amazon.com/PetFusion-Cat-Litter-Large-BetterBox/product-reviews/B01M29CEJG/ref=cm_cr_getr_d_paging_btm_next_47?ie=UTF8&reviewerType=all_reviews&sortBy=recent&pageNumber=47.*

Primary Examiner — Sandra S Snapp
Assistant Examiner — Mehri F Bajoul
(74) *Attorney, Agent, or Firm* — Myers Wolin, LLC

(57) **CLAIM**

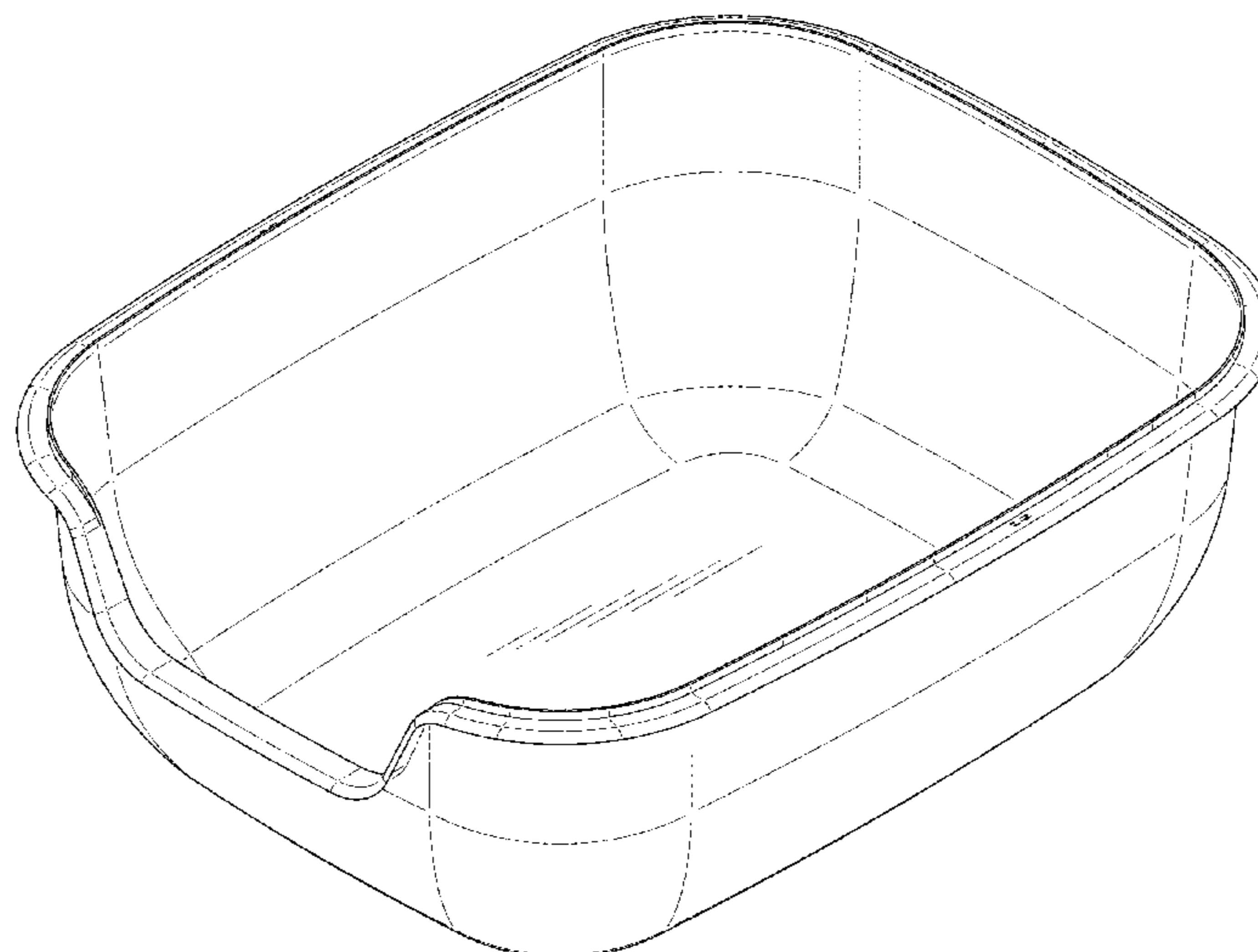
The ornamental design for a litter box, as shown and described.

DESCRIPTION

FIG. 1 is a top front right perspective view of one embodiment of a litter box showing our new design; FIG. 2 is a top rear perspective view thereof; FIG. 3 is a bottom left perspective view thereof; FIG. 4 is a front elevation view thereof; FIG. 5 is a rear elevation view thereof; FIG. 6 is a right side elevation view thereof, the left side elevation being a mirror image thereof; FIG. 7 is a top view thereof; and, FIG. 8 is a bottom view thereof. The broken lines shown in the drawings depict portions of the litter box that form no part of the claimed design.

1 Claim, 7 Drawing Sheets

(56) **References Cited**
U.S. PATENT DOCUMENTS
3,924,572 A * 12/1975 Classe A01K 1/031
119/453
5,115,766 A * 5/1992 Williams A01K 1/0125
119/168
5,329,878 A * 7/1994 McCauley A01K 1/0107
119/165
5,645,013 A 7/1997 Redmond, Sr.
6,009,836 A 1/2000 Neary et al.
6,951,190 B2 10/2005 Northrop et al.
D614,919 S * 5/2010 Carlson D7/602
D636,545 S * 4/2011 Lawson D30/161
D638,590 S * 5/2011 Lipscomb D23/278
D643,711 S * 8/2011 Samartgis D9/424
8,181,601 B2 * 5/2012 Kratzer A01K 1/0107
119/161



(56)

References Cited

U.S. PATENT DOCUMENTS

D782,756 S * 3/2017 Veness D30/161
D813,542 S * 3/2018 Ahmed D3/304
2009/0260577 A1 10/2009 Lewis, II
2009/0301923 A1* 12/2009 Van Puijenbroek B65D 1/22
206/518

* cited by examiner

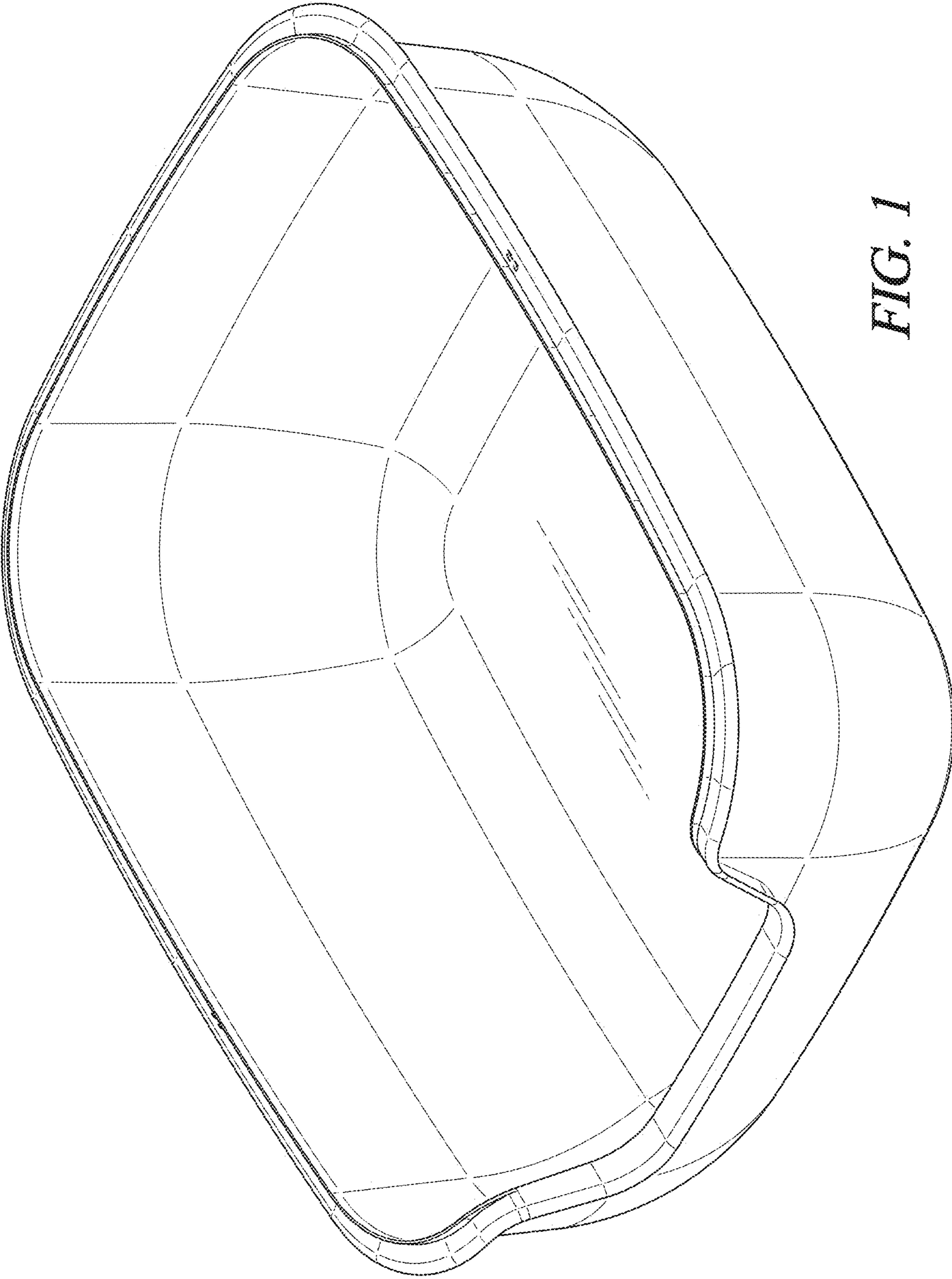


FIG. 1

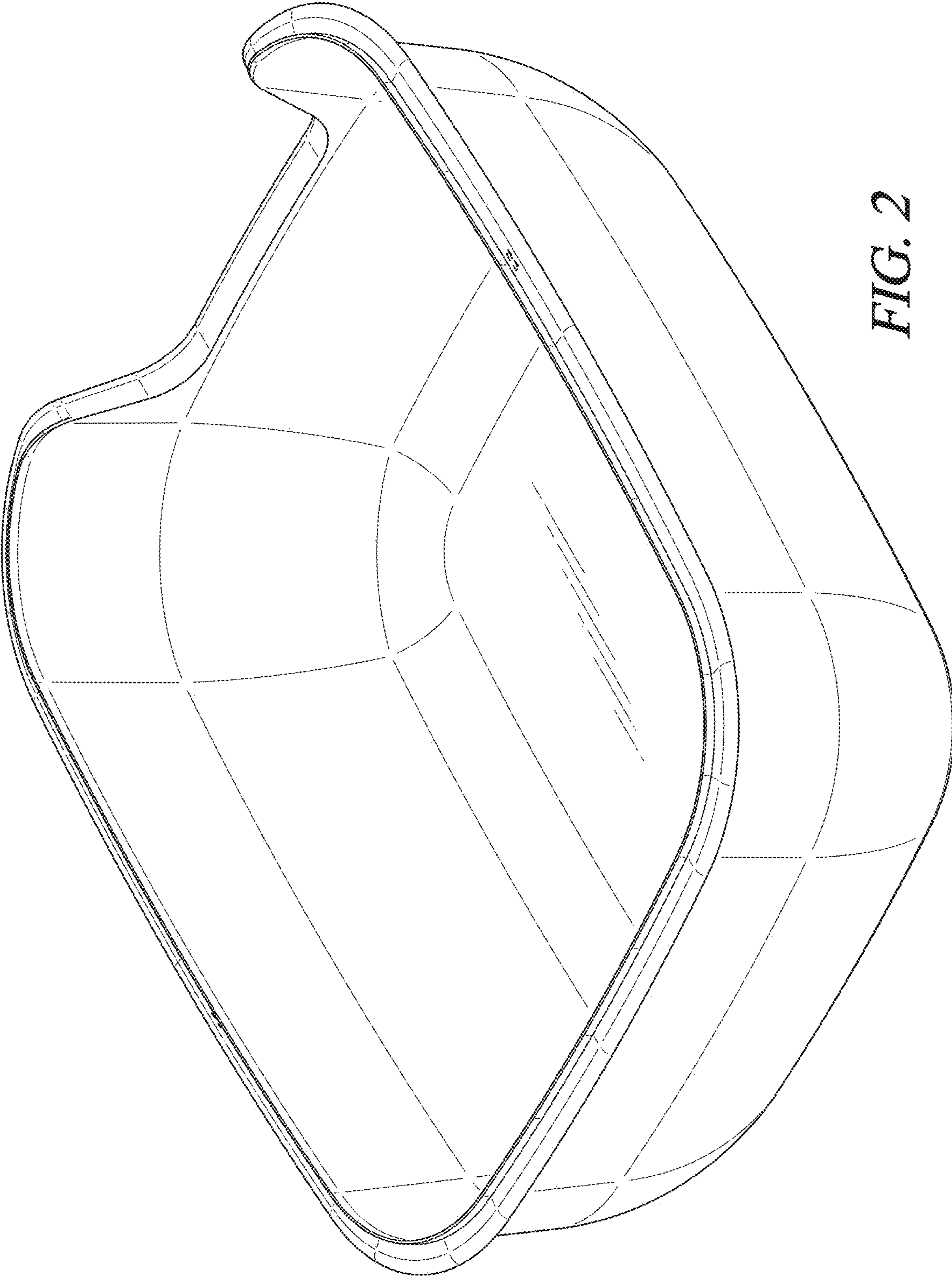


FIG. 2

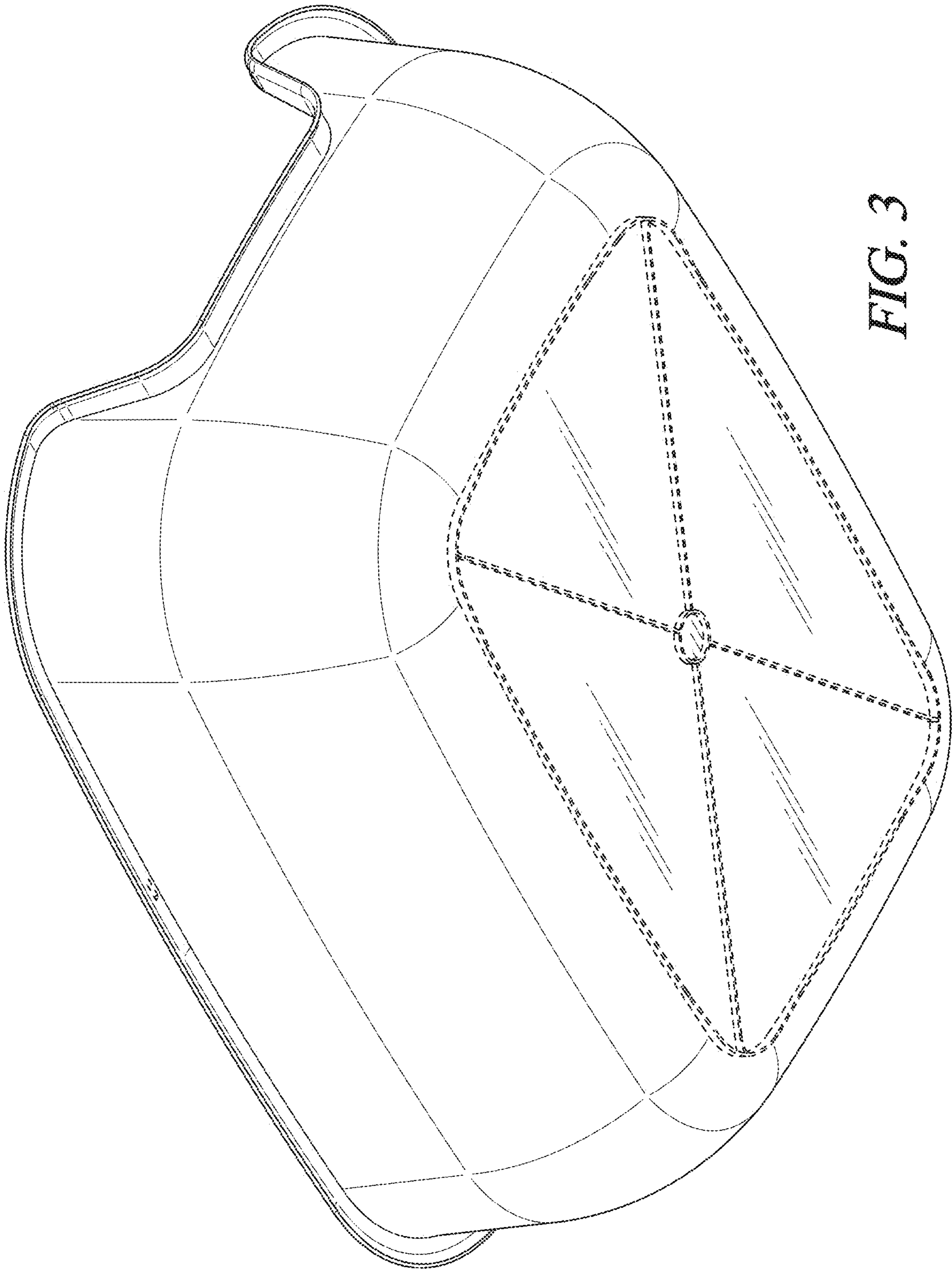


FIG. 3

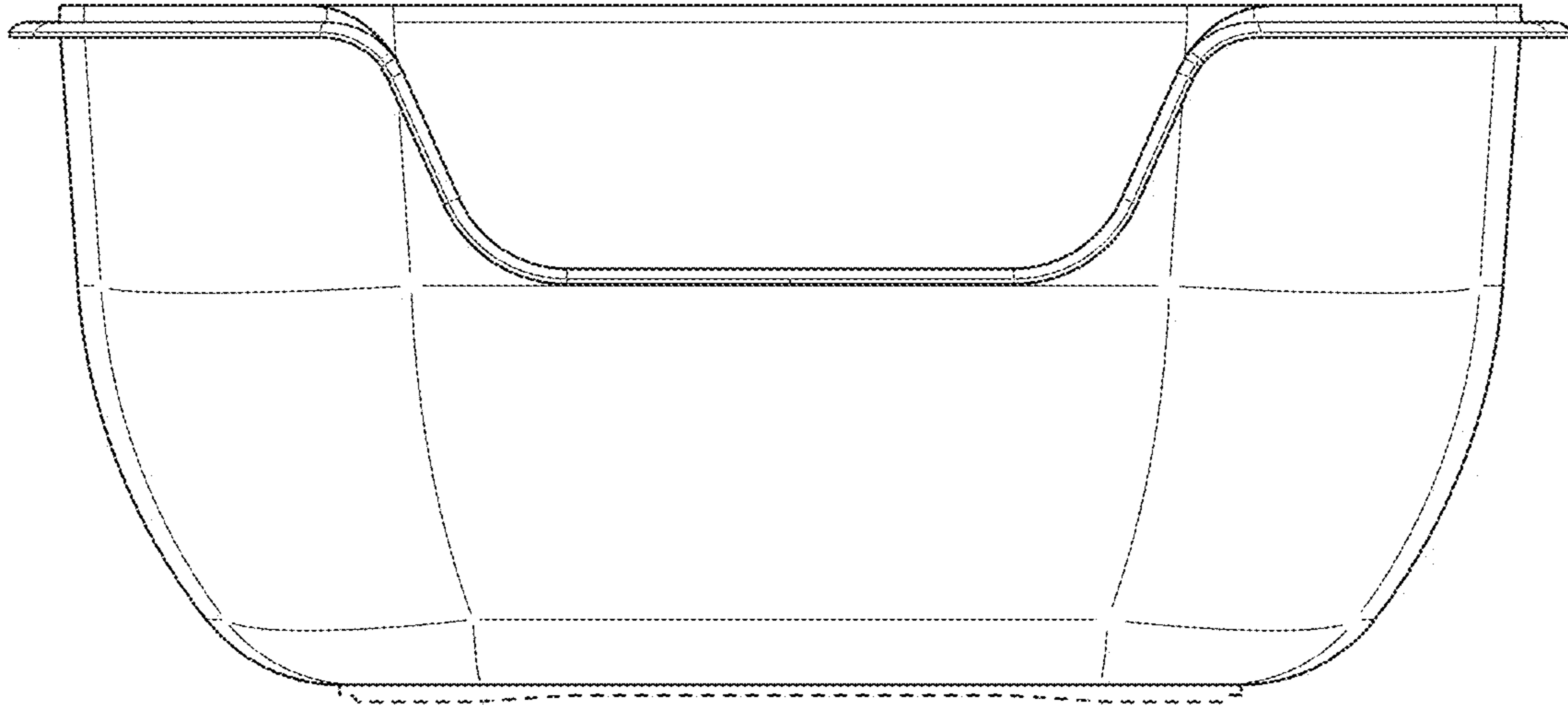


FIG. 4

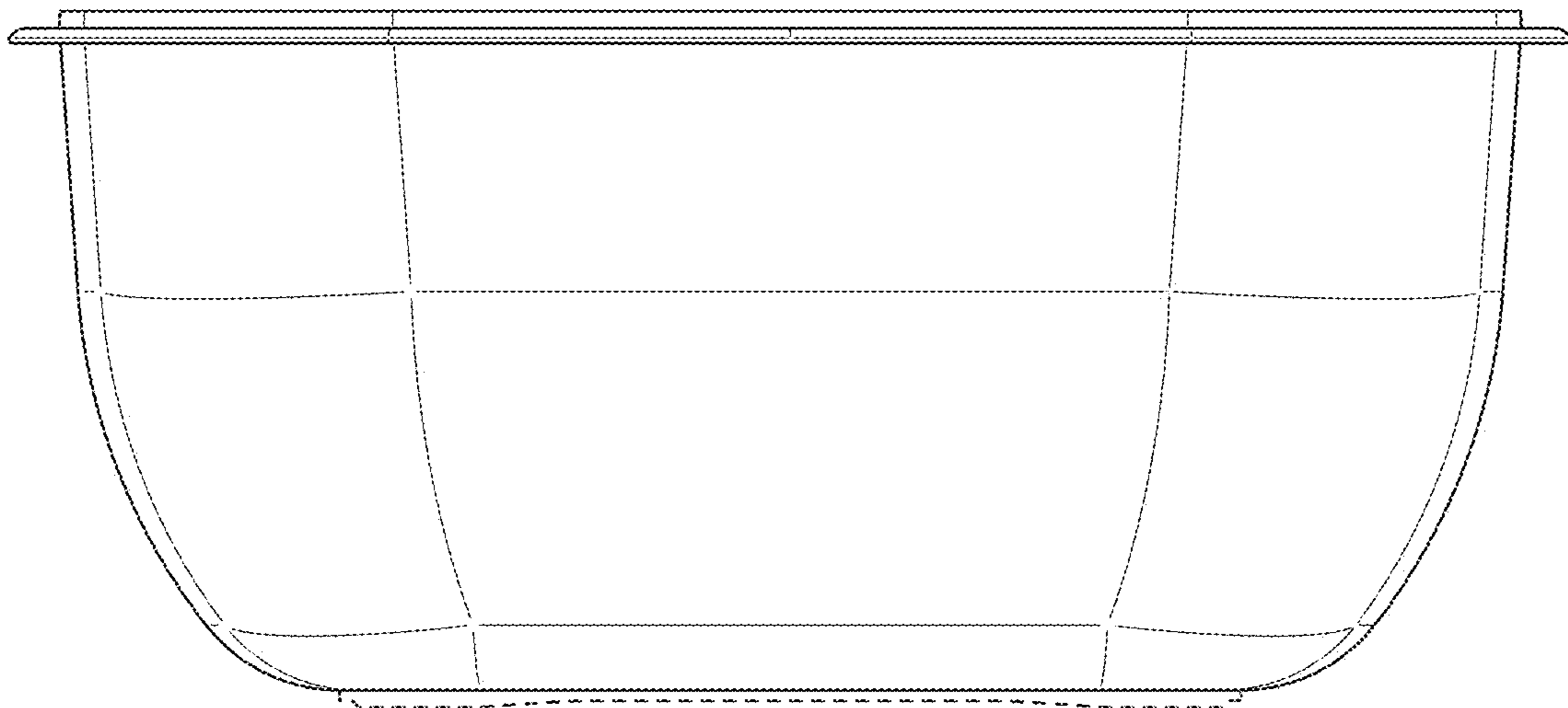


FIG. 5

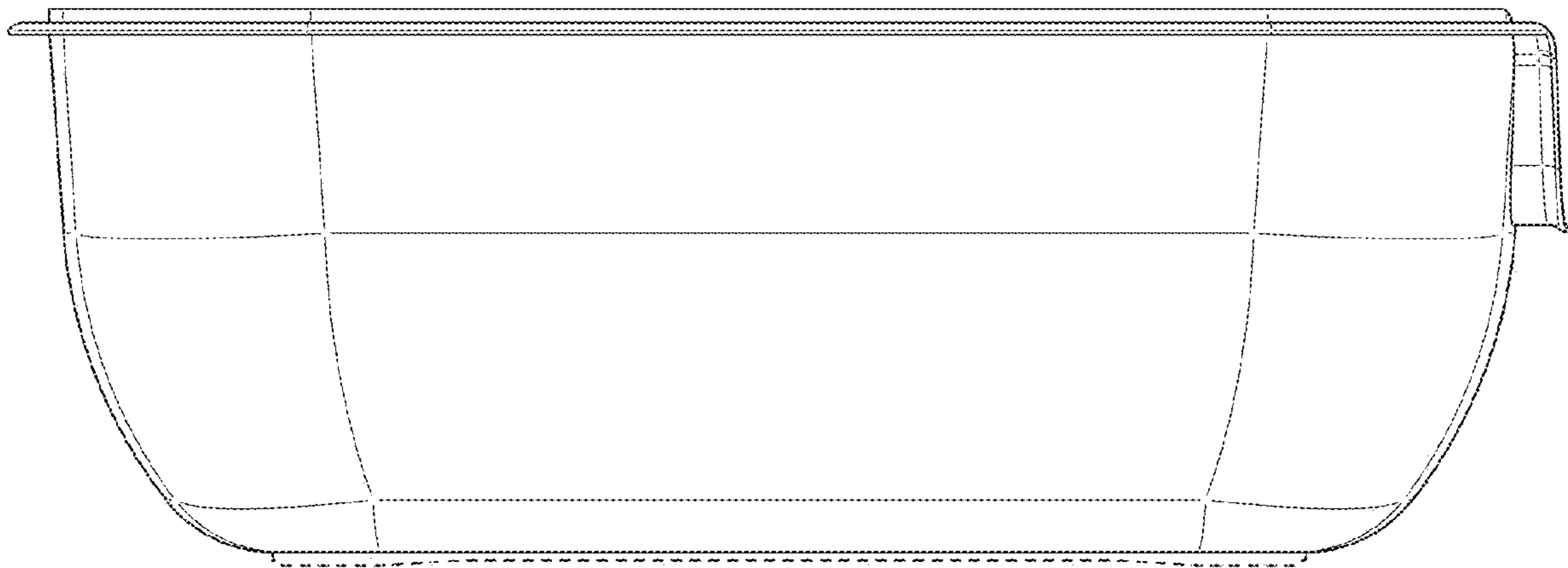


FIG. 6

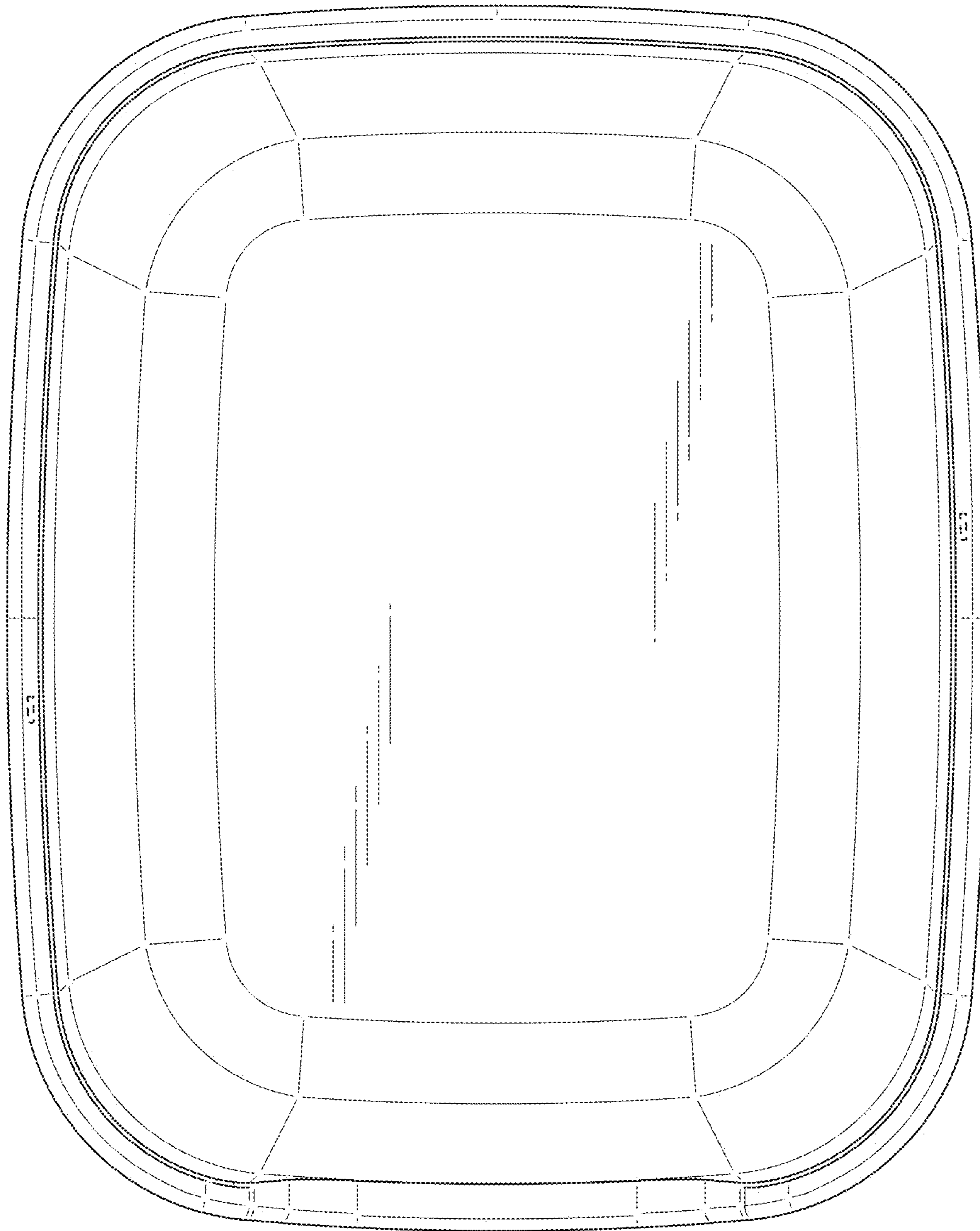


FIG. 7

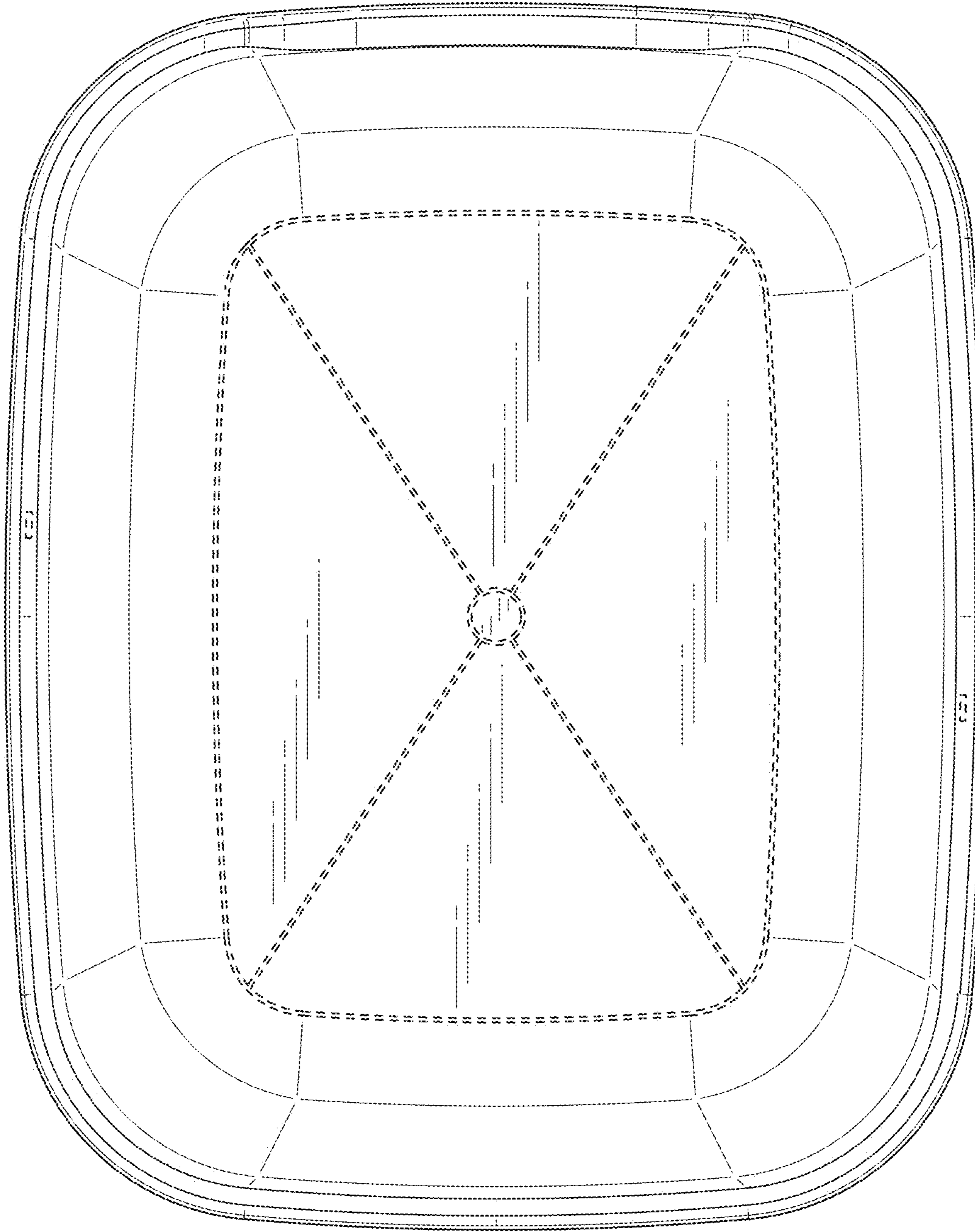


FIG. 8