



US00D888351S

(12) **United States Design Patent**  
**Wolfe, Jr. et al.**

(10) **Patent No.:** **US D888,351 S**  
(45) **Date of Patent:** **\*\* Jun. 23, 2020**

(54) **ANIMAL TOY**  
(71) Applicant: **Starmark Pet Products, Inc.**, Hutto,  
TX (US)  
(72) Inventors: **Jerry J. Wolfe, Jr.**, Hutto, TX (US);  
**Harold Keith Benson**, Hutto, TX (US)  
(73) Assignee: **Starmark Pet Products, Inc.**, Hutto,  
TX (US)

D466,562 S \* 12/2002 Peterson ..... D21/443  
D526,029 S \* 8/2006 Ragonetti ..... A01K 15/025  
D21/444  
D548,409 S \* 8/2007 Renforth ..... D21/444  
D676,619 S \* 2/2013 Hansen ..... D30/121  
D725,714 S \* 3/2015 Kim ..... D21/443  
D743,551 S \* 11/2015 Gronberg ..... D24/127  
D753,351 S \* 4/2016 Anderson ..... D30/160  
D756,044 S \* 5/2016 Anderson ..... D30/160

(\*\*) Term: **15 Years**  
(21) Appl. No.: **29/683,663**

(22) Filed: **Mar. 14, 2019**

(51) **LOC (12) Cl.** ..... **30-99**

(52) **U.S. Cl.**  
USPC ..... **D30/160**

(58) **Field of Classification Search**  
USPC ..... D30/121, 128, 133, 160; D21/362, 390,  
D21/443, 707, 713, 715; 119/702;  
446/46, 48  
CPC ..... A01K 15/00; A01K 15/02; A01K 29/00;  
A01K 15/024; A01K 15/025; A01K  
15/027; A63B 37/02

See application file for complete search history.

(56) **References Cited**

**U.S. PATENT DOCUMENTS**

4,089,414 A \* 5/1978 Sandor ..... G11B 23/0325  
206/303  
D295,429 S \* 4/1988 Sandeen ..... D21/443  
D331,607 S \* 12/1992 Davis ..... D21/372  
5,222,461 A \* 6/1993 Haynes ..... A01K 5/0233  
119/51.12  
5,277,641 A \* 1/1994 Gable ..... B05B 3/1021  
239/211  
D368,495 S \* 4/1996 Rypinski ..... D21/362  
D386,446 S \* 11/1997 Favish ..... D11/131

**OTHER PUBLICATIONS**

“Nerf Dog Flyer Dog Toy”, posted Oct. 24, 2018[online], [retrieved  
Jan. 29, 2020]. Retrieved from internet, [https://www.chewy.com/  
nerf-dog-nylon-foam-mega-tuff-fabric/dp/175330](https://www.chewy.com/nerf-dog-nylon-foam-mega-tuff-fabric/dp/175330).\*

\* cited by examiner

*Primary Examiner* — Sandra S Snapp  
*Assistant Examiner* — Mehri F Bajoul  
(74) *Attorney, Agent, or Firm* — Russell Ng PLLC; Brian  
F. Russell

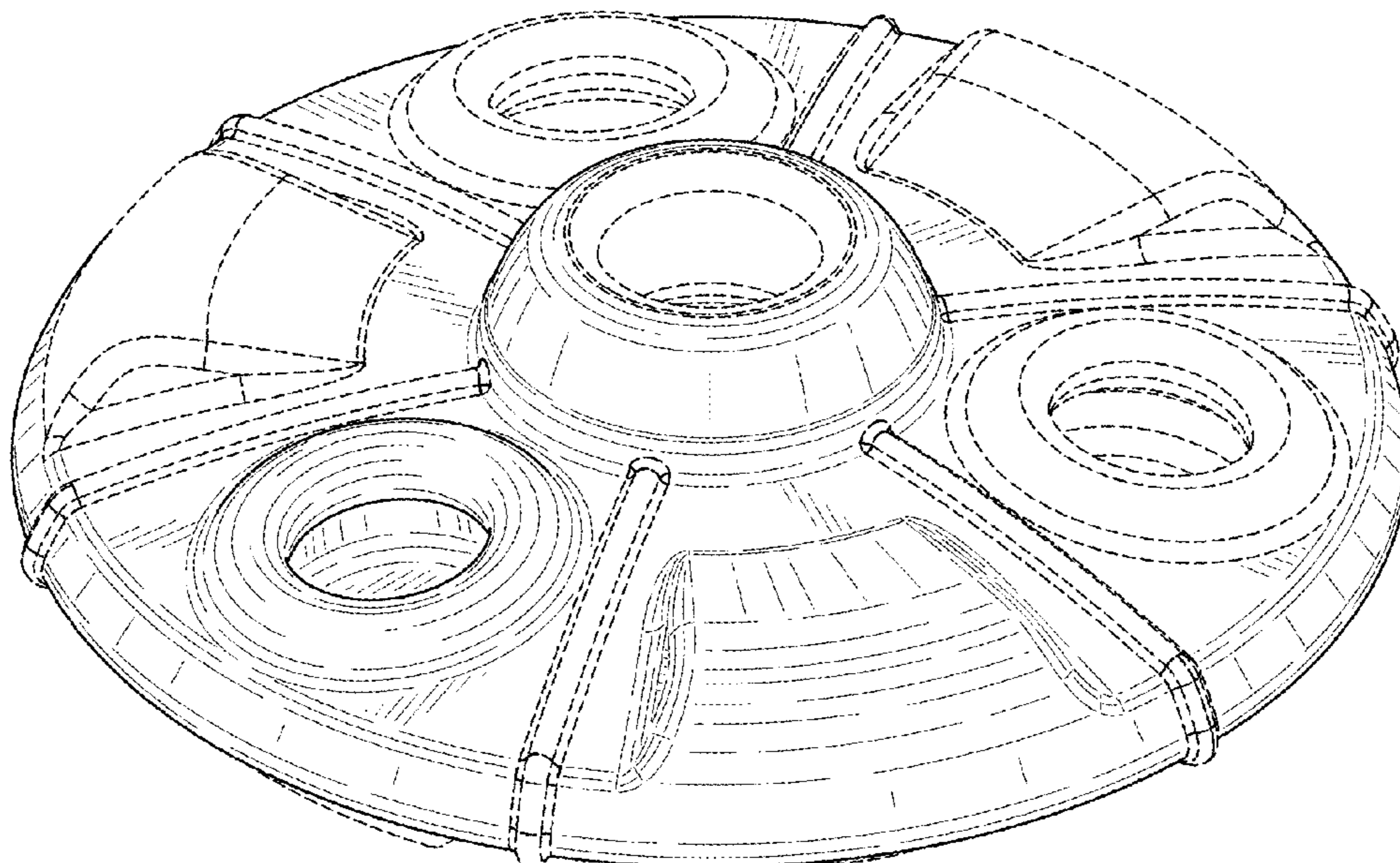
(57) **CLAIM**

The ornamental design for an animal toy, as shown and  
described.

**DESCRIPTION**

FIG. 1 is a top perspective view of the animal toy.  
FIG. 2 is a bottom perspective view of the animal toy.  
FIG. 3 is a top plan view of the animal toy.  
FIG. 4 is a bottom plan view of the animal toy.  
FIG. 5 is a front elevation view of the animal toy.  
FIG. 6 is a back elevation view of the animal toy.  
FIG. 7 is a left side elevation view of the animal toy; and,  
FIG. 8 is a right side elevation view of the animal toy.  
The broken lines shown in the drawings depict portions of  
the animal toy that form no part of the claimed design.

**1 Claim, 6 Drawing Sheets**



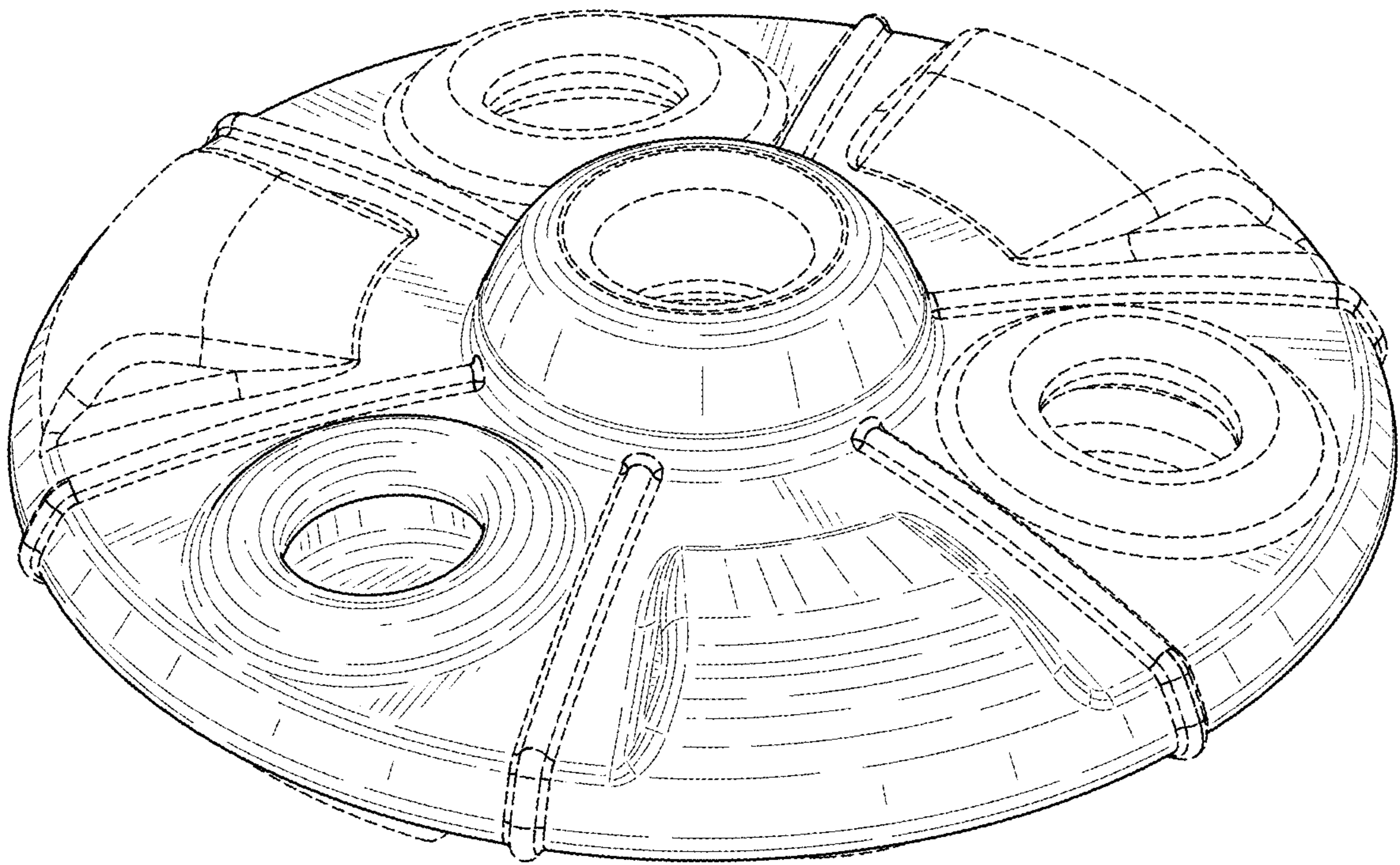


FIG. 1



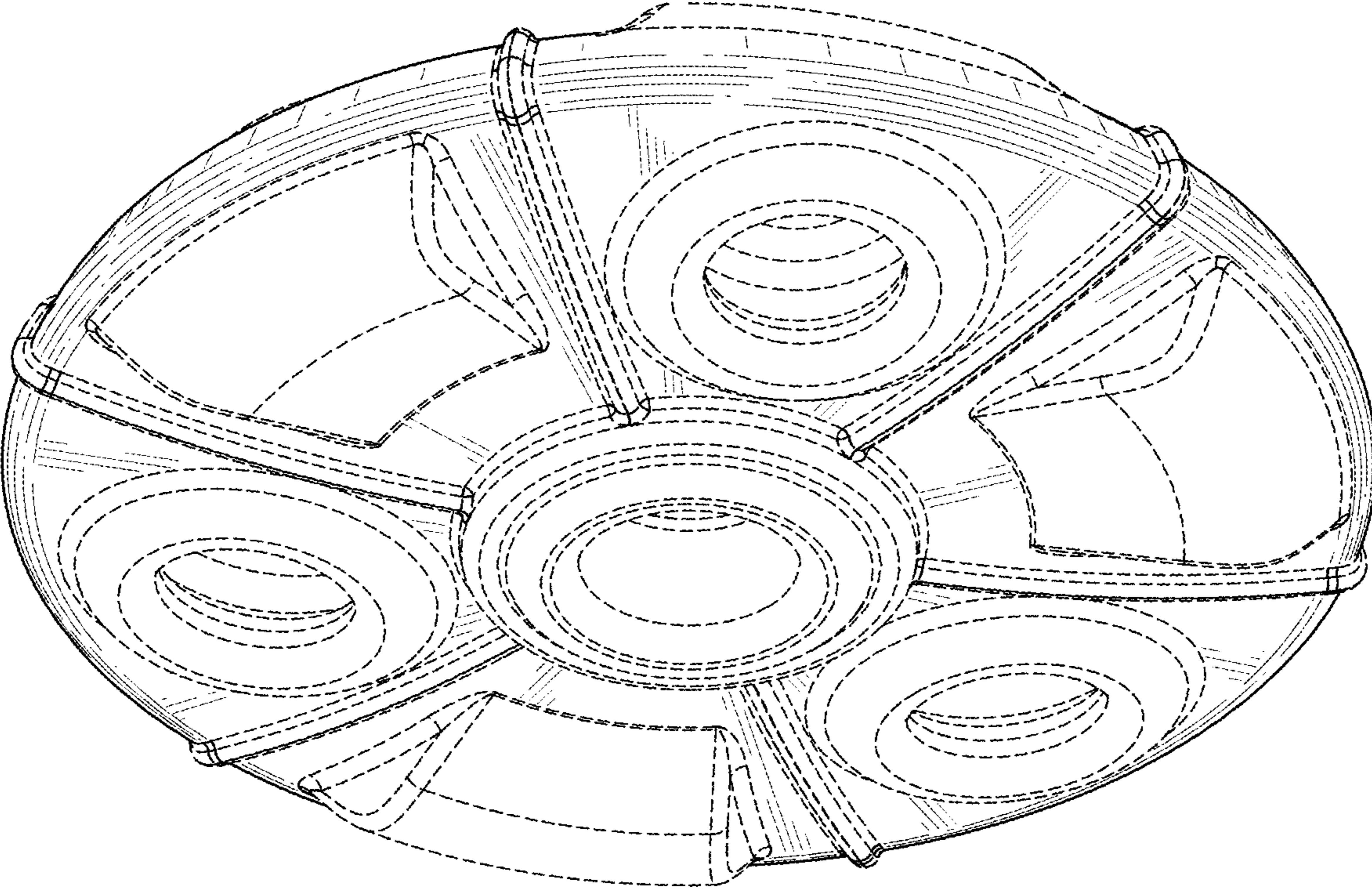


FIG. 2

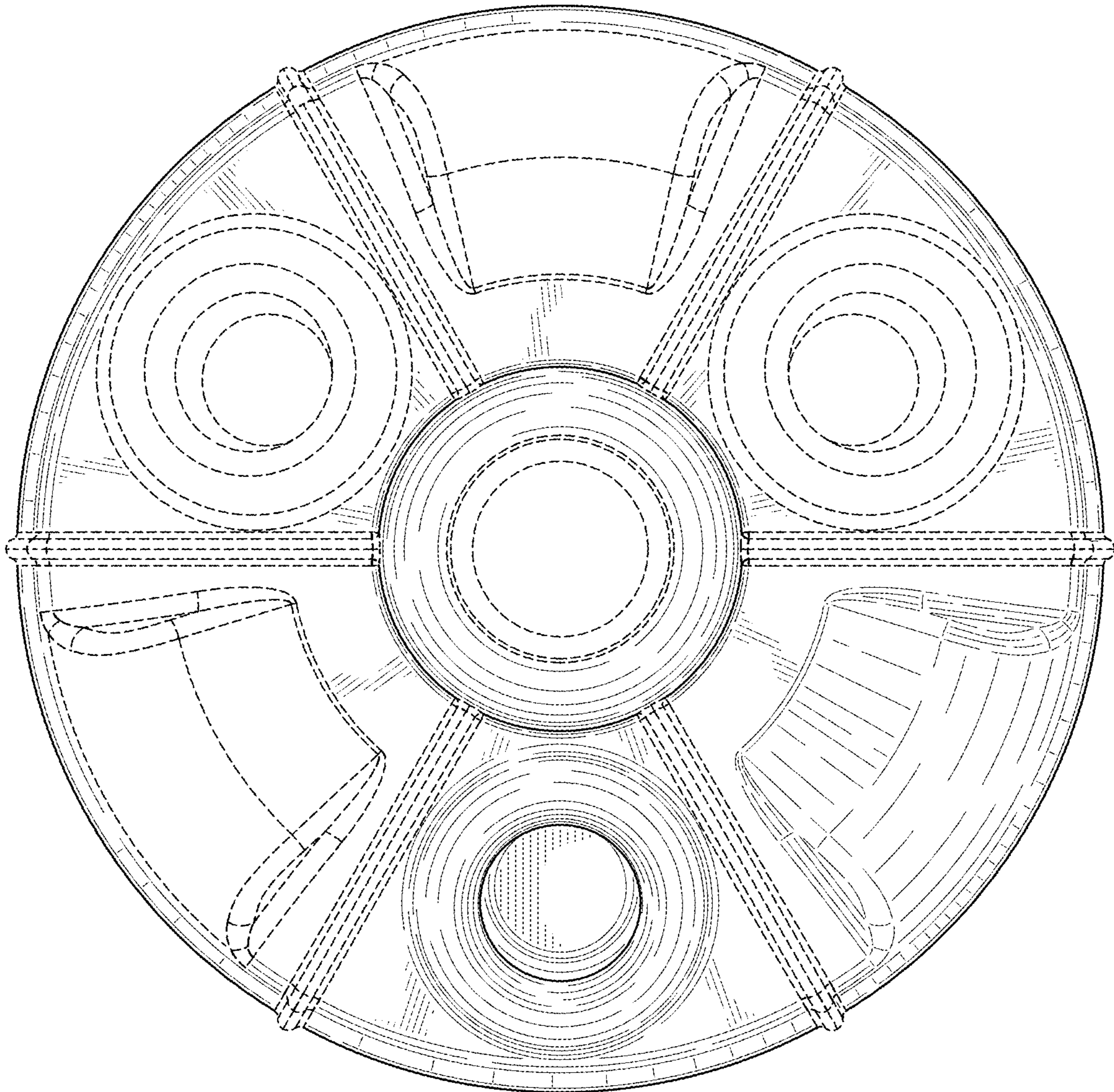


FIG. 3



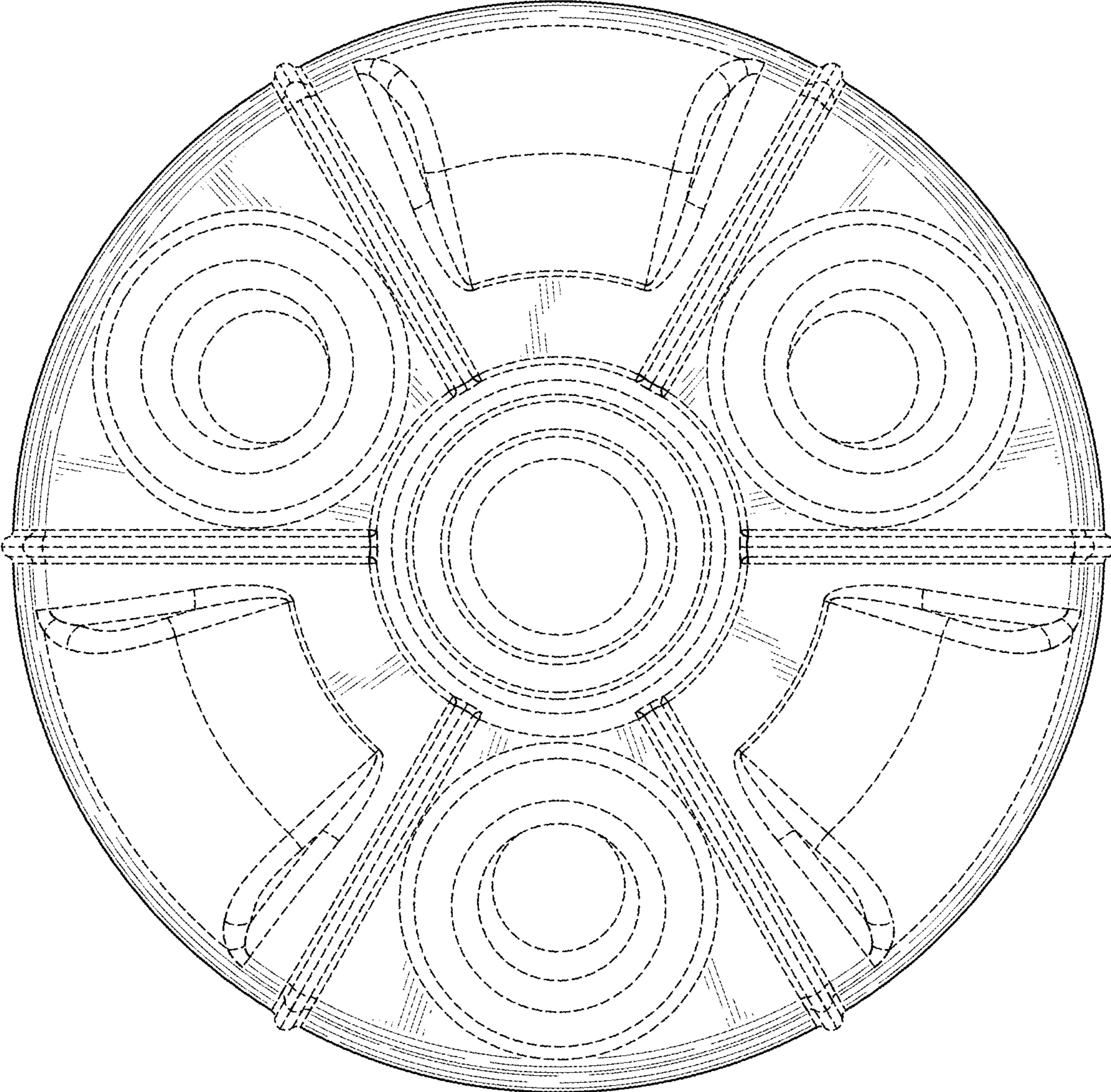


FIG. 4

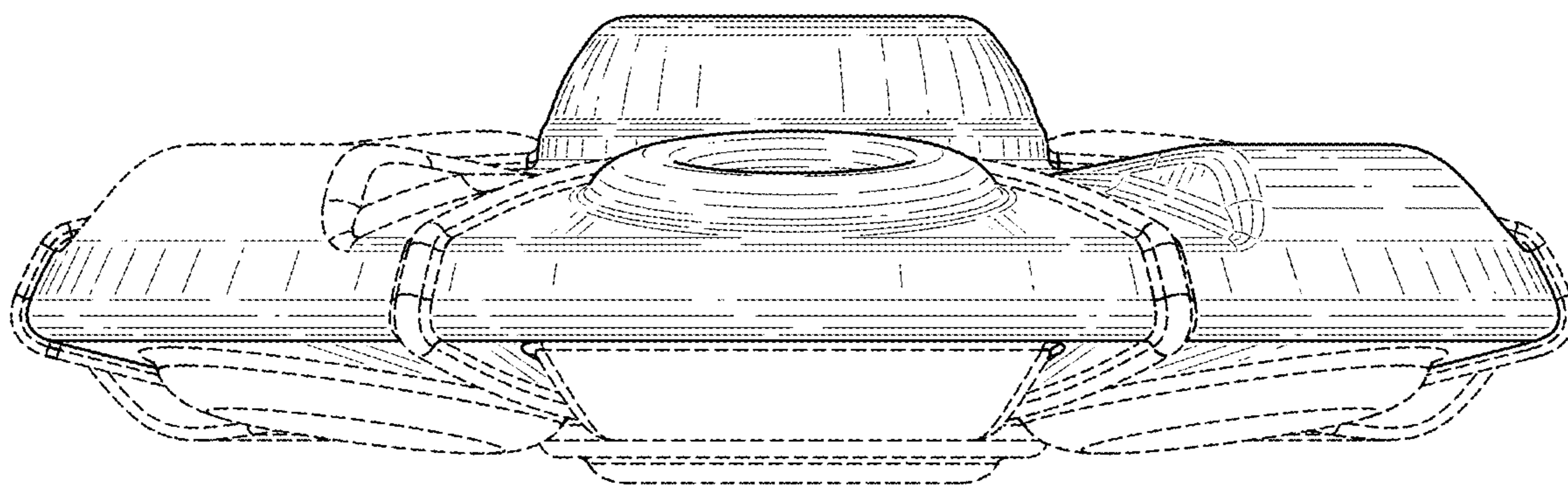


FIG. 5

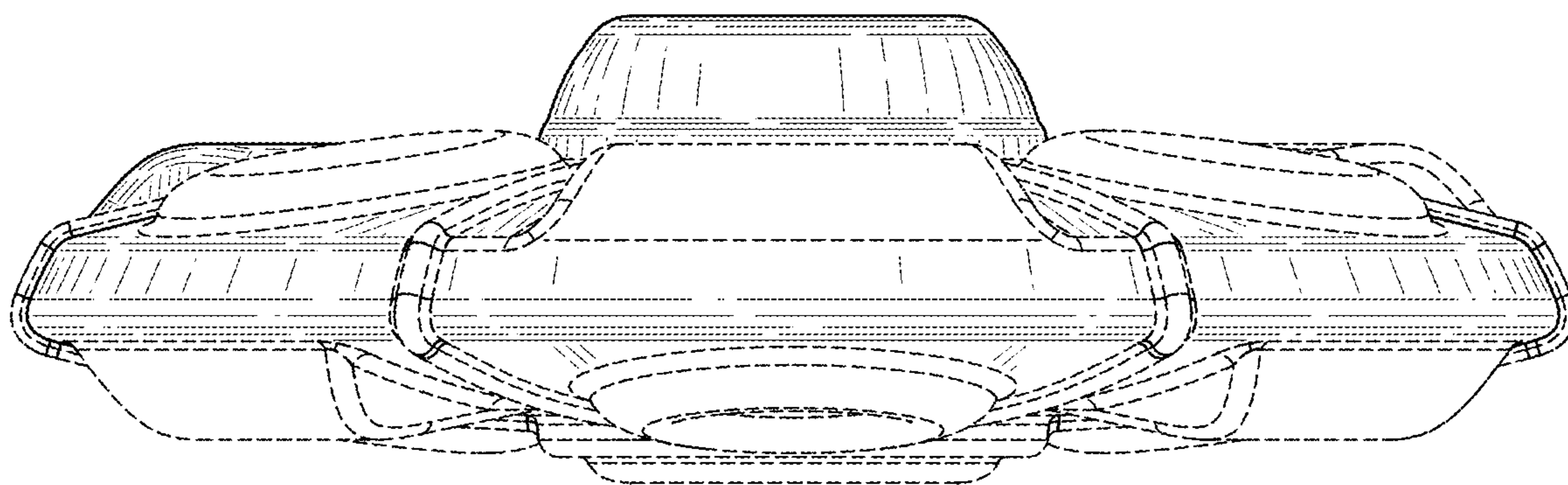


FIG. 6

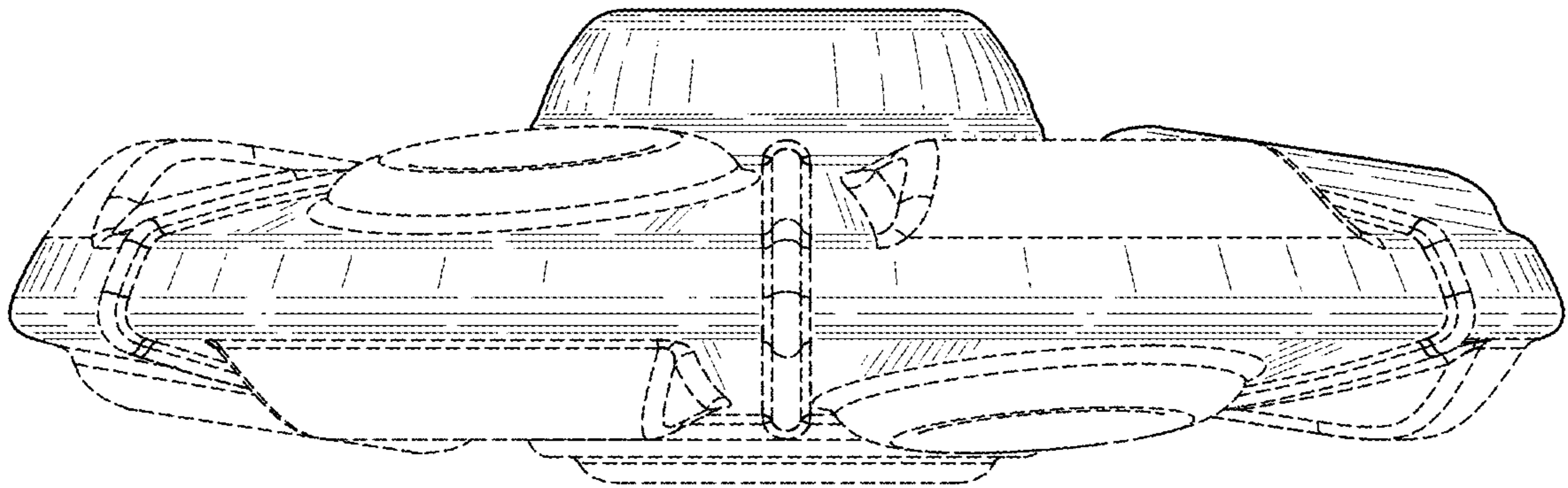


FIG. 7

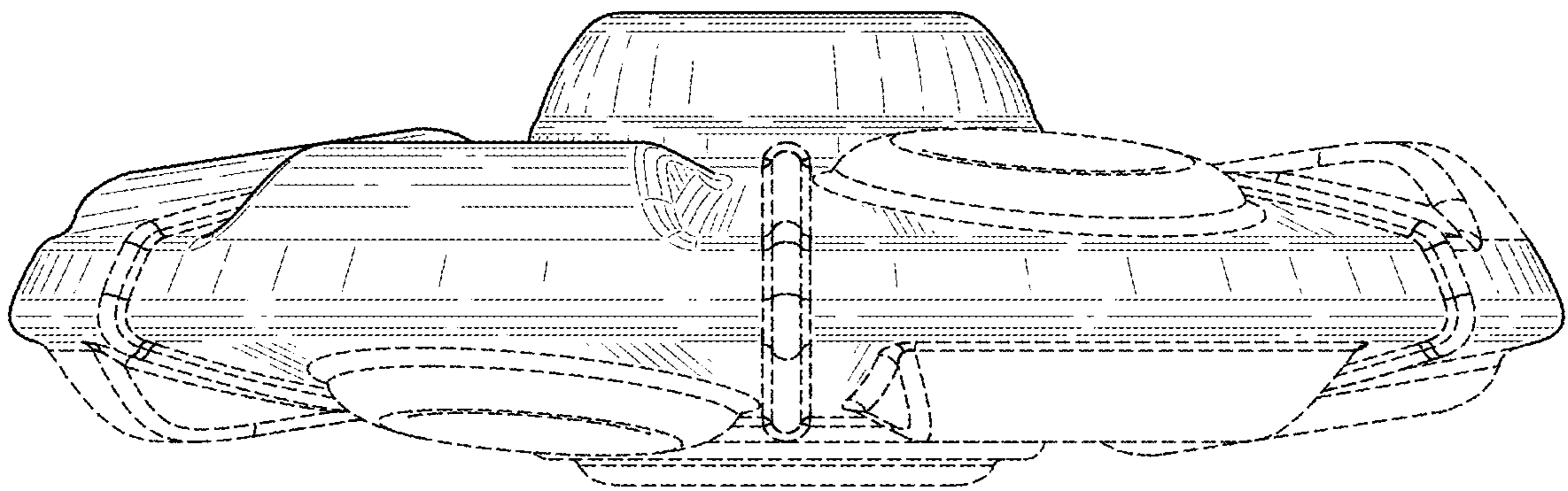


FIG. 8