



US00D888347S

(12) **United States Design Patent**
Price

(10) **Patent No.:** **US D888,347 S**
(45) **Date of Patent:** **** Jun. 23, 2020**

- (54) **FOOD RISER**
- (71) Applicant: **David H. Price**, Venice, FL (US)
- (72) Inventor: **David H. Price**, Venice, FL (US)
- (**) Term: **15 Years**
- (21) Appl. No.: **29/651,679**
- (22) Filed: **Dec. 24, 2018**
- (51) **LOC (12) Cl.** **30-03**
- (52) **U.S. Cl.**
USPC **D30/133**
- (58) **Field of Classification Search**
USPC D30/121, 122, 129-133, 199; 108/108,
108/152
CPC A01K 5/00; A01K 5/0114; A47B 96/027;
F16M 11/04
See application file for complete search history.

- 5,531,168 A * 7/1996 Towfigh A47B 17/02
108/108
- 6,935,523 B2 * 8/2005 Ahn A47F 5/137
211/189
- 8,074,815 B2 * 12/2011 Gerstner A61B 50/26
211/193
- 8,776,725 B1 * 7/2014 Grijalva A01K 7/00
119/51.01
- 9,644,786 B2 * 5/2017 Steiner F16M 11/28
- D800,396 S * 10/2017 Coviello D30/133
- 10,548,294 B1 * 2/2020 Price A01K 5/0114

* cited by examiner

Primary Examiner — Michael C Stout
Assistant Examiner — Katrina N Gonzalez
(74) *Attorney, Agent, or Firm* — Robert J. Lauf

(57) **CLAIM**

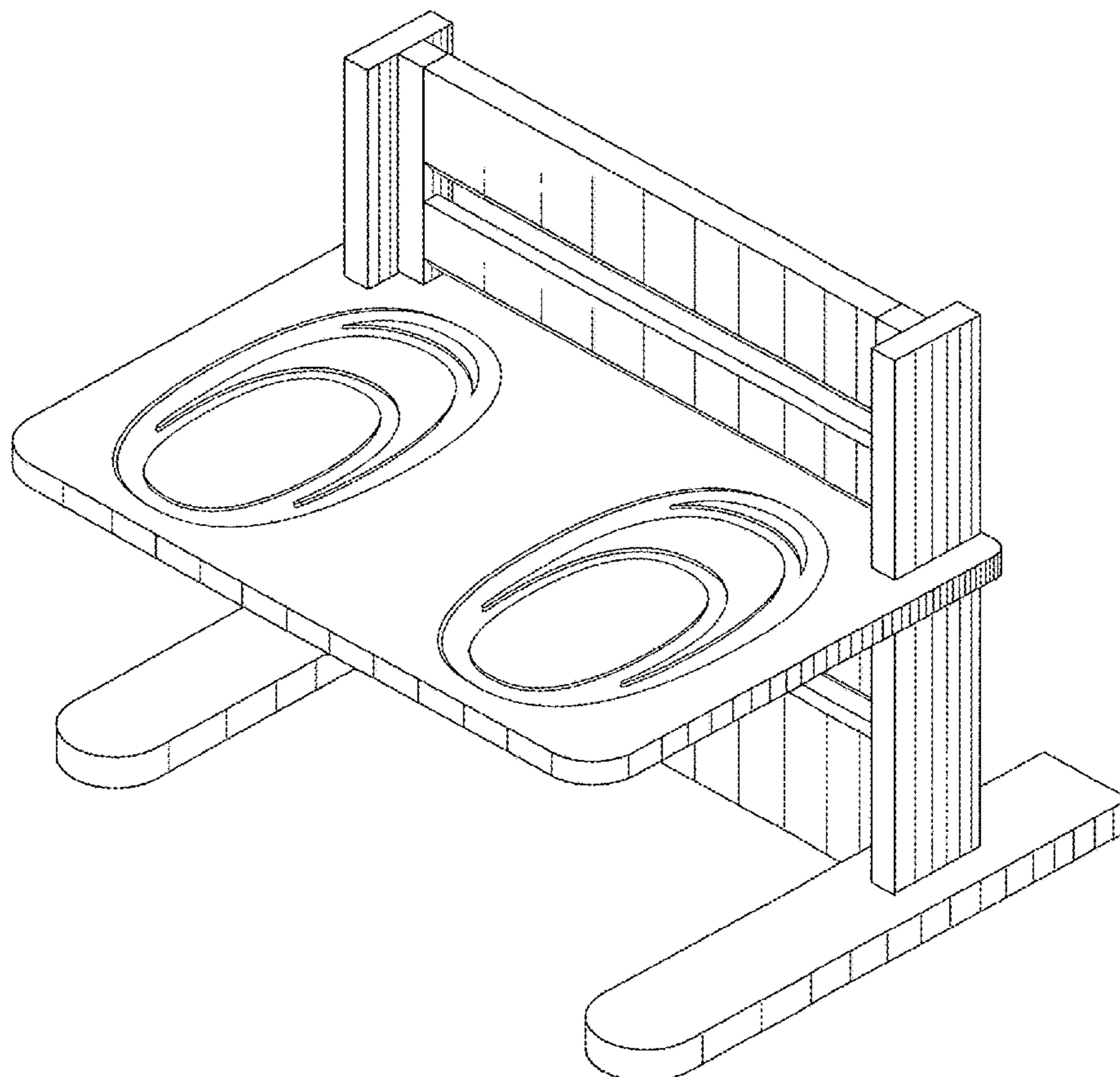
The ornamental design for a food riser, as shown and described.

DESCRIPTION

FIG. 1 is a front elevational view of a food riser showing my new design.
FIG. 2 is a top plan view thereof.
FIG. 3 is a left side elevational view thereof.
FIG. 4 is a rear elevational view thereof.
FIG. 5 is a front perspective view thereof; and,
FIG. 6 is a rear perspective view thereof.

1 Claim, 6 Drawing Sheets

- (56) **References Cited**
U.S. PATENT DOCUMENTS
5,074,422 A * 12/1991 Holtz A47B 57/10
108/108
5,365,860 A * 11/1994 Billington, III A47C 9/025
108/108
5,501,176 A * 3/1996 Tully A01K 5/0114
119/61.57



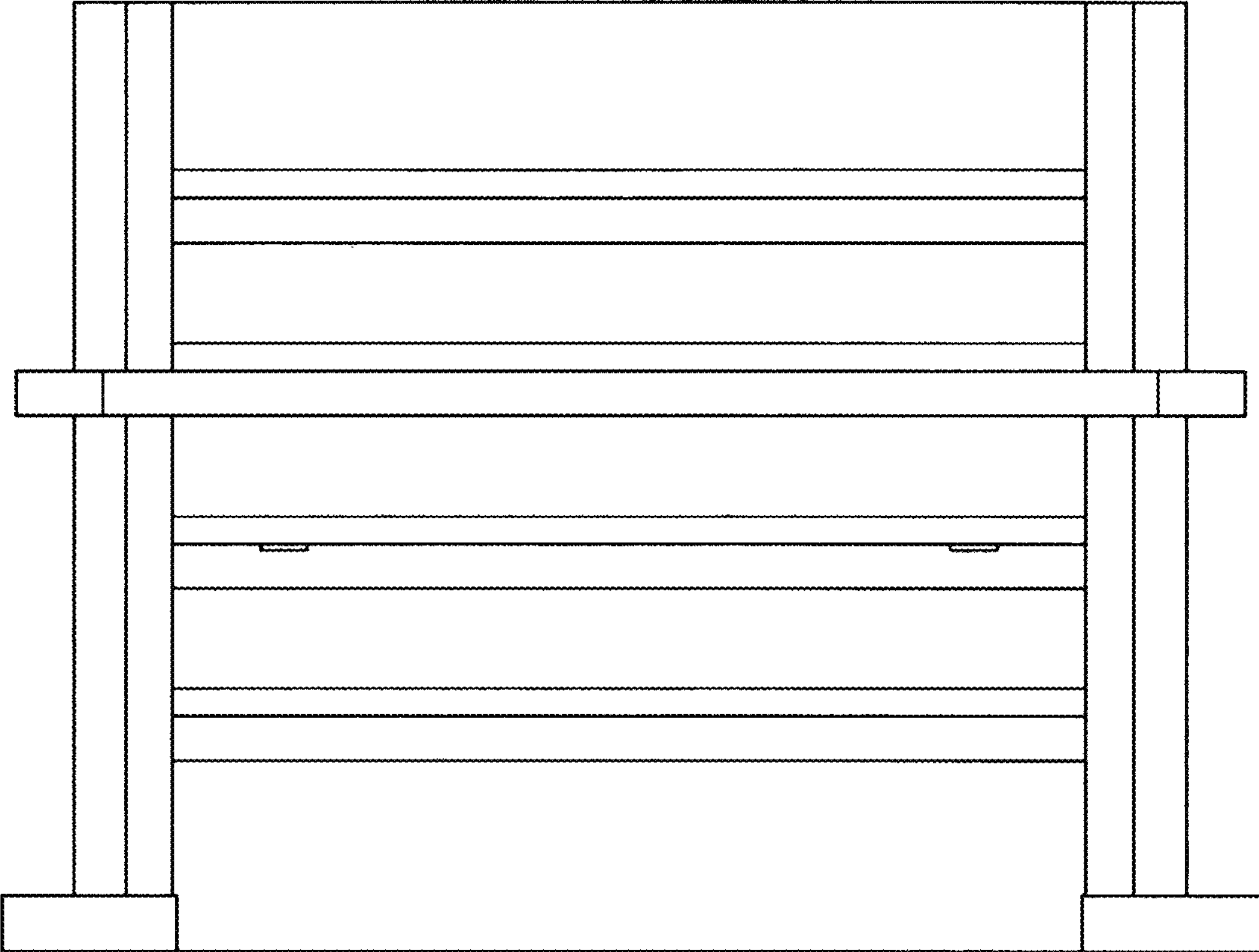


FIG. 1

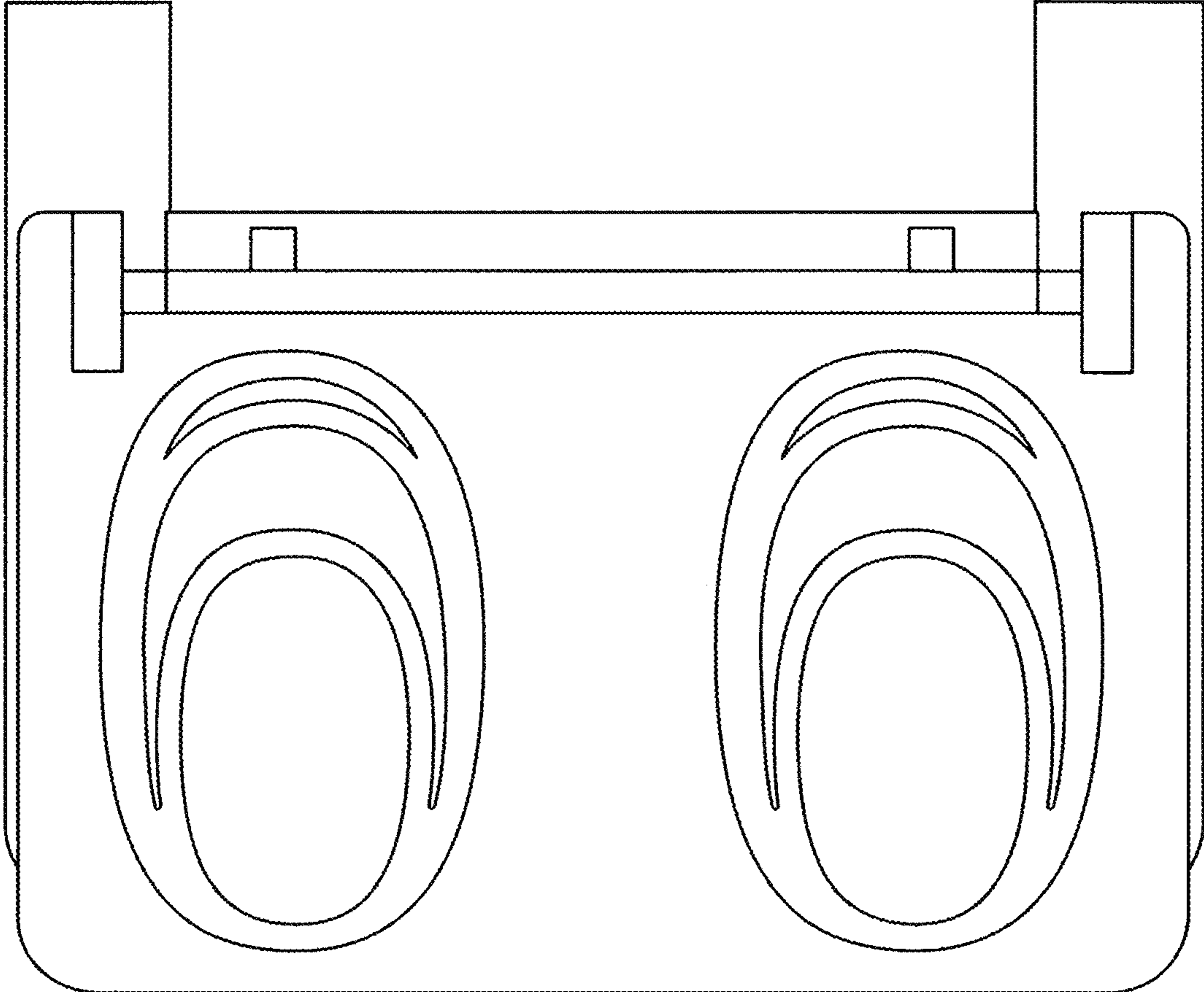


FIG. 2

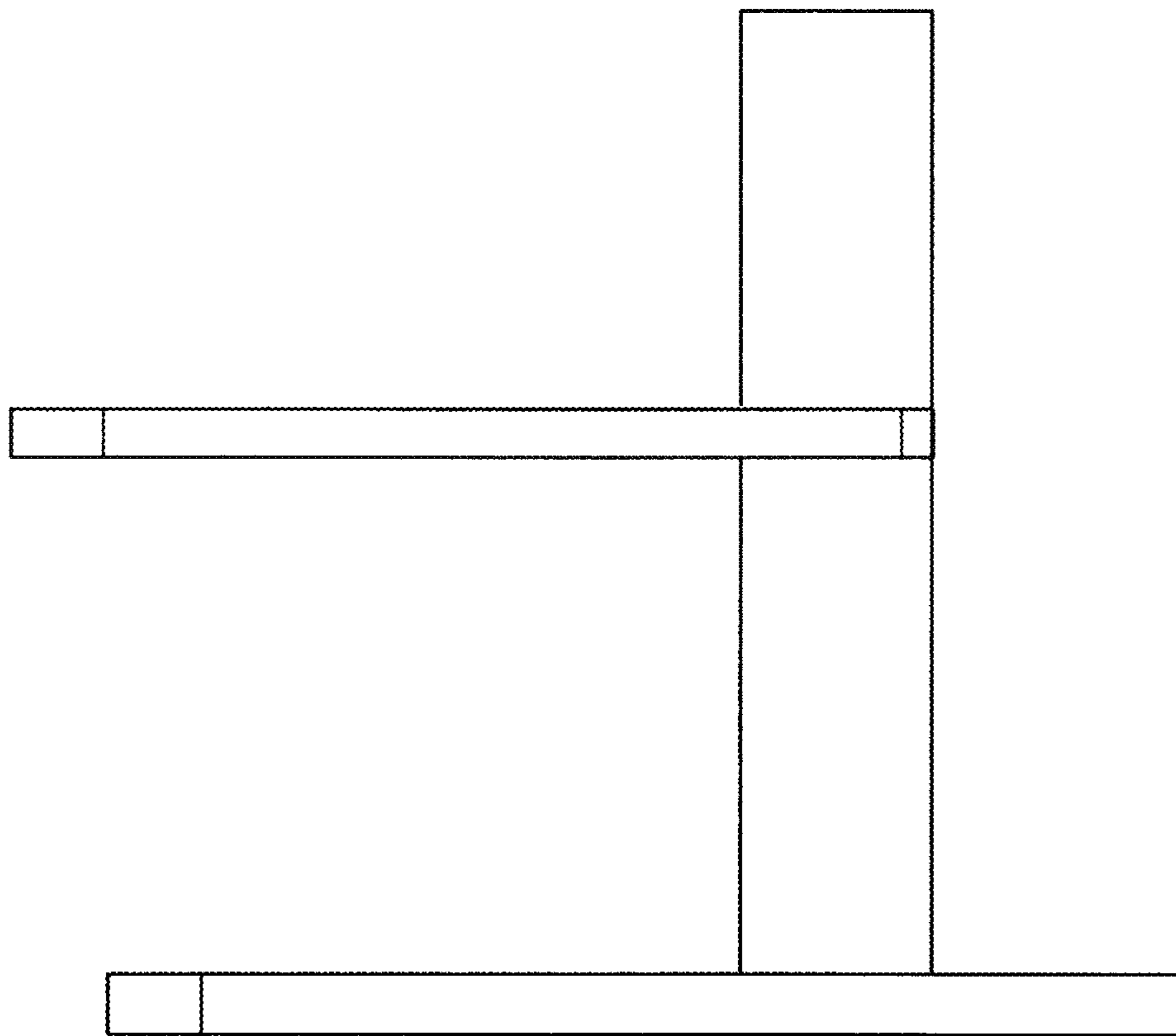


FIG. 3

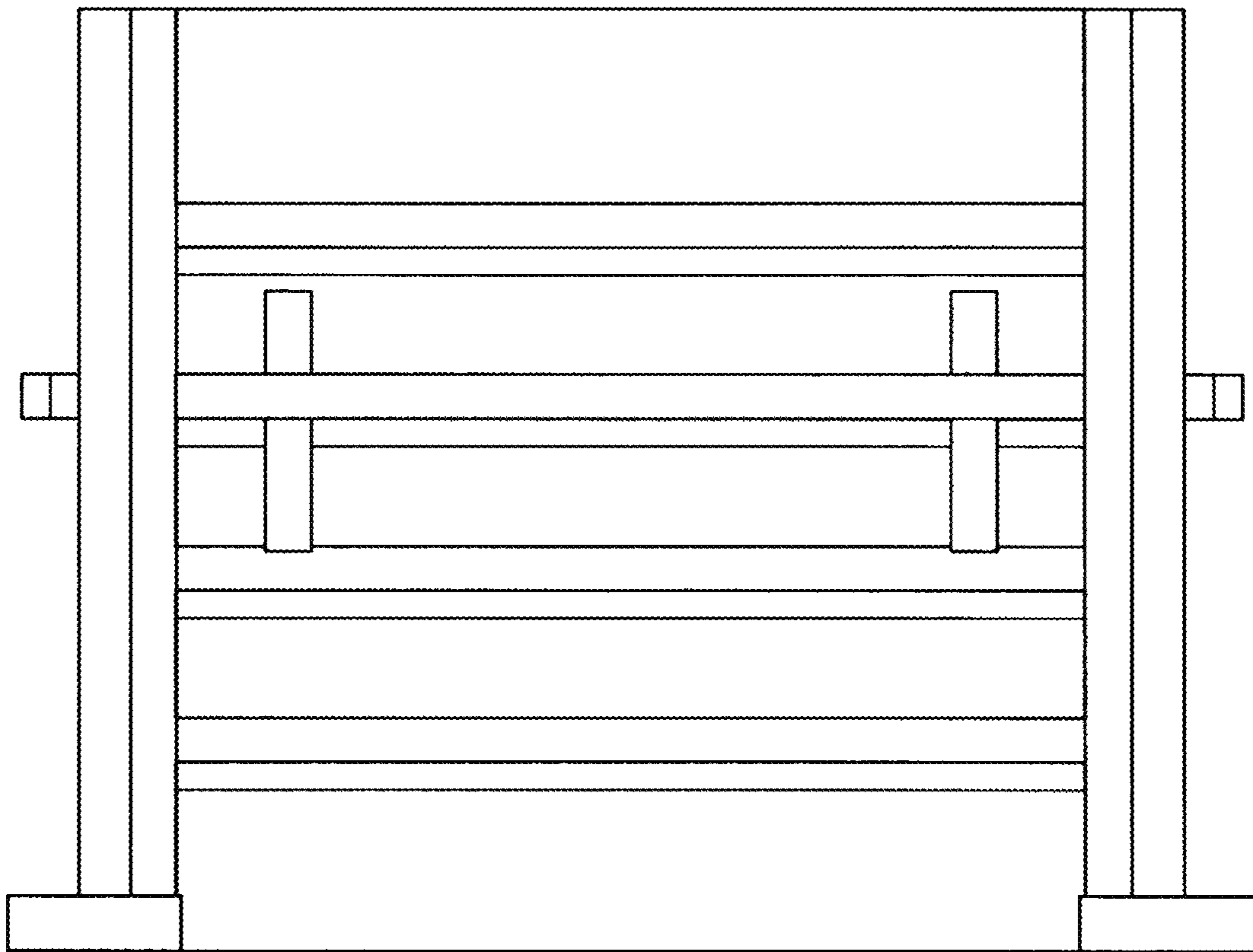


FIG. 4

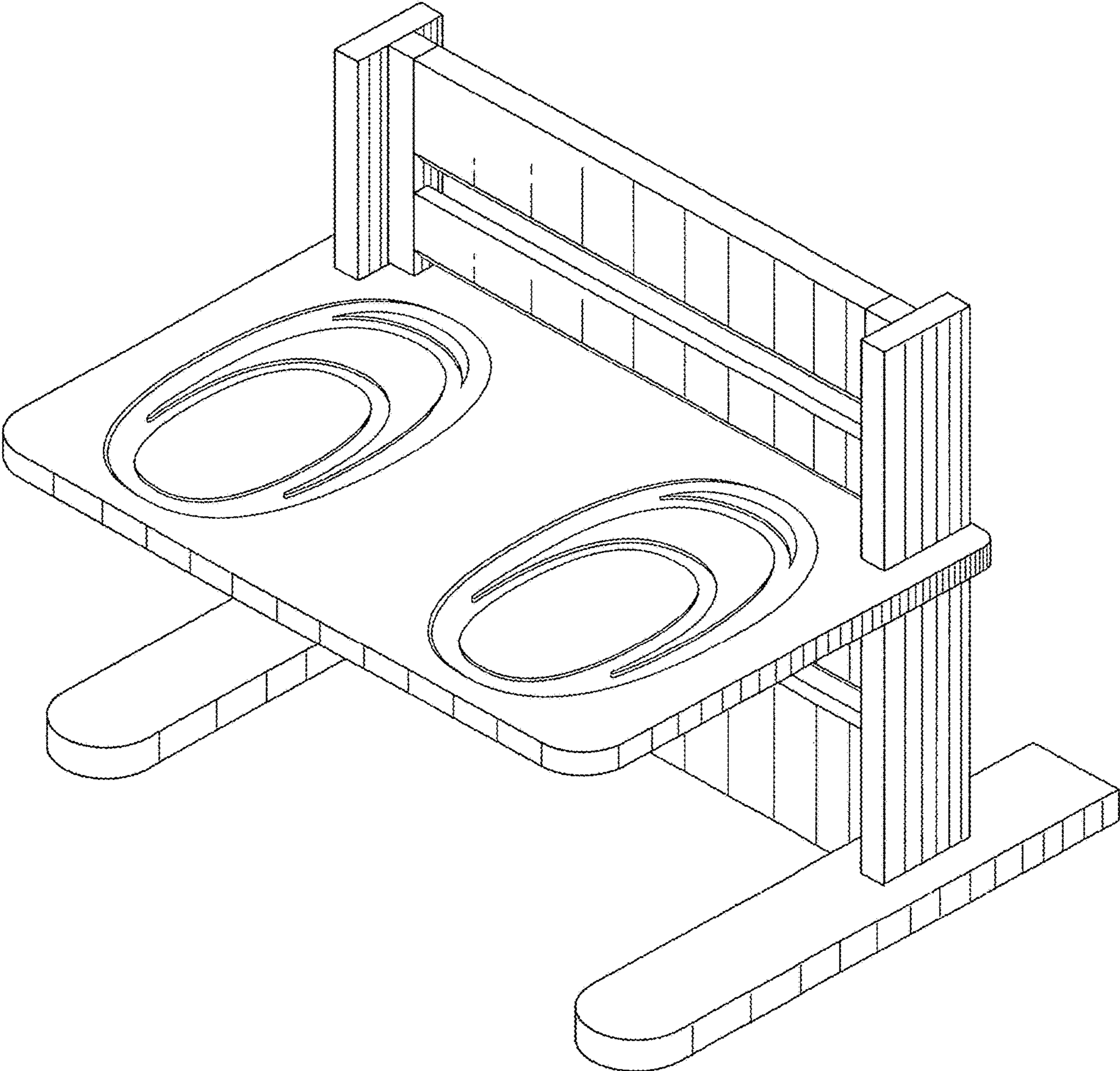


FIG. 5

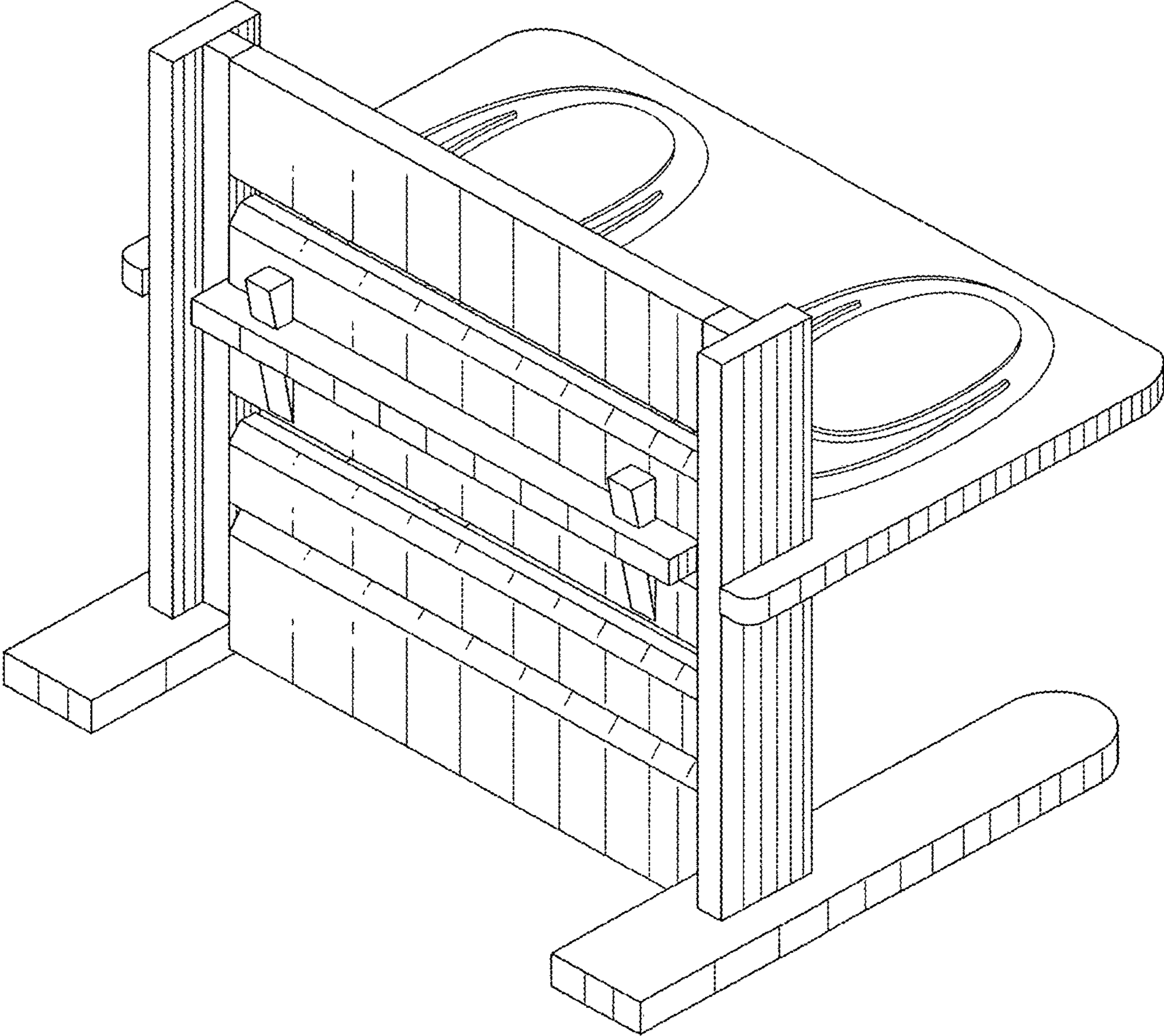


FIG. 6