



US00D888343S

(12) **United States Design Patent**
McLean

(10) **Patent No.:** **US D888,343 S**

(45) **Date of Patent:** **** Jun. 23, 2020**

(54) **HAIR WEAVING DEVICE**

(71) Applicant: **Rea McLean**, Linden, NC (US)

(72) Inventor: **Rea McLean**, Linden, NC (US)

(**) Term: **15 Years**

(21) Appl. No.: **29/645,315**

(22) Filed: **Apr. 25, 2018**

(51) **LOC (12) Cl.** **28-04**

(52) **U.S. Cl.**
USPC **D28/93**

(58) **Field of Classification Search**
USPC D28/93, 92, 10, 39; D11/157, 164;
D26/6, 7, 13, 14, 22; 139/380, 381;
66/1 R, 1 A, 1, 5, 2, 4; 131/212, 222
CPC A46B 2200/1046; A46B 2200/1053; A46B
2200/106; A47K 7/00
See application file for complete search history.

(56) **References Cited**

U.S. PATENT DOCUMENTS

1,507,302 A 9/1924 Zuber
D467,362 S * 12/2002 Gue D26/19

7,114,455 B2 10/2006 Prufer et al.
D590,966 S * 4/2009 Wong D26/6
D610,279 S * 2/2010 Bolanos D26/13
D644,361 S * 8/2011 McCoy D13/127
D733,944 S * 7/2015 Cohanin D26/22
9,346,650 B2 5/2016 Niizeki
9,682,195 B2 * 6/2017 Tucker A61M 5/3129
D851,757 S * 6/2019 Nandi D24/114

* cited by examiner

Primary Examiner — Marissa J Cash
Assistant Examiner — Rebecca Tsehaye

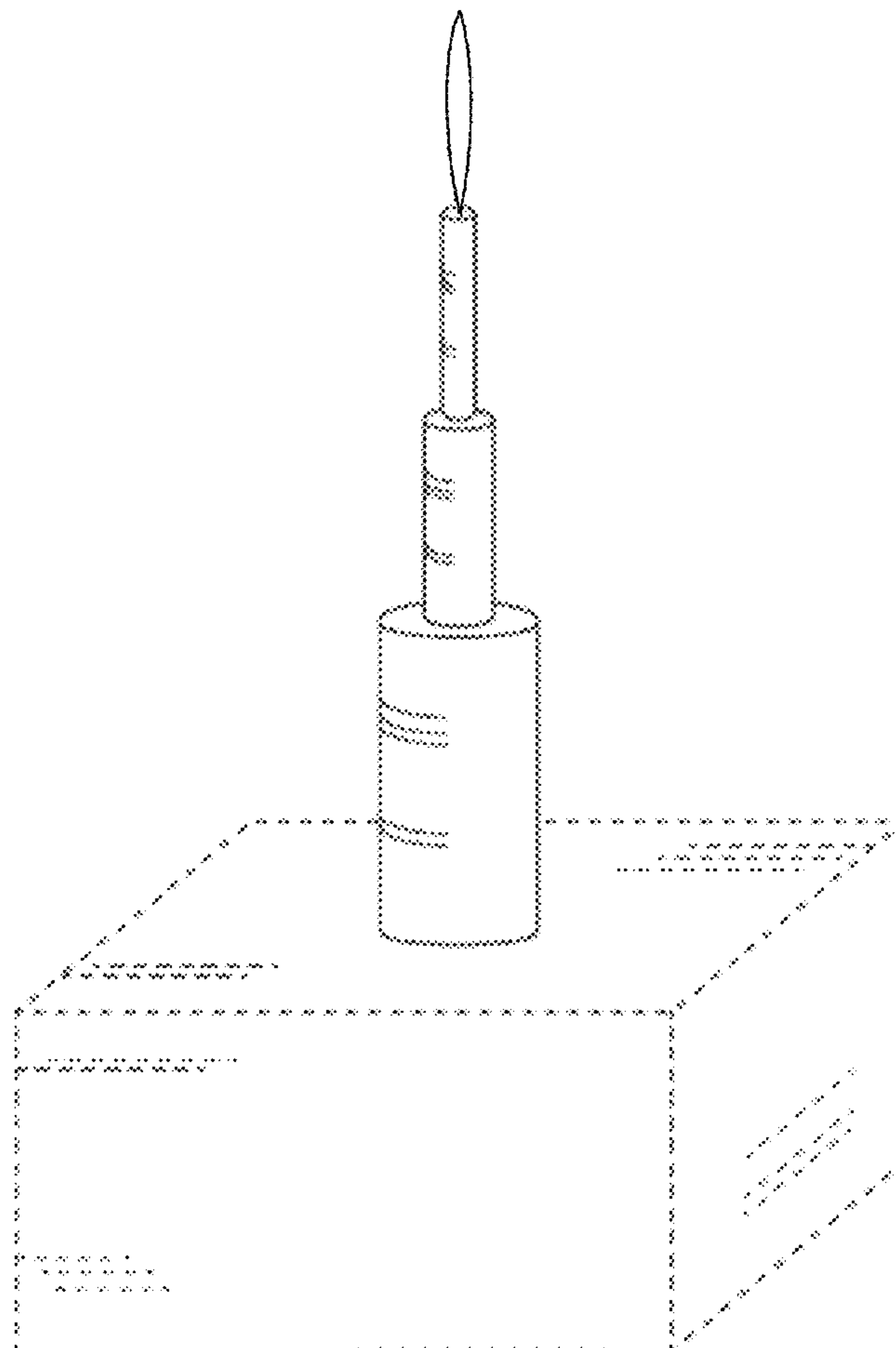
(57) **CLAIM**

The ornamental design for a hair weaving device, as shown and described.

DESCRIPTION

FIG. 1 is a perspective view of a first embodiment of a hair weaving device; FIG. 2 is a top view; and, FIG. 3 is a side view. The portions of the base shown in broken lines are environmental only and form no part of the claimed design.

1 Claim, 3 Drawing Sheets



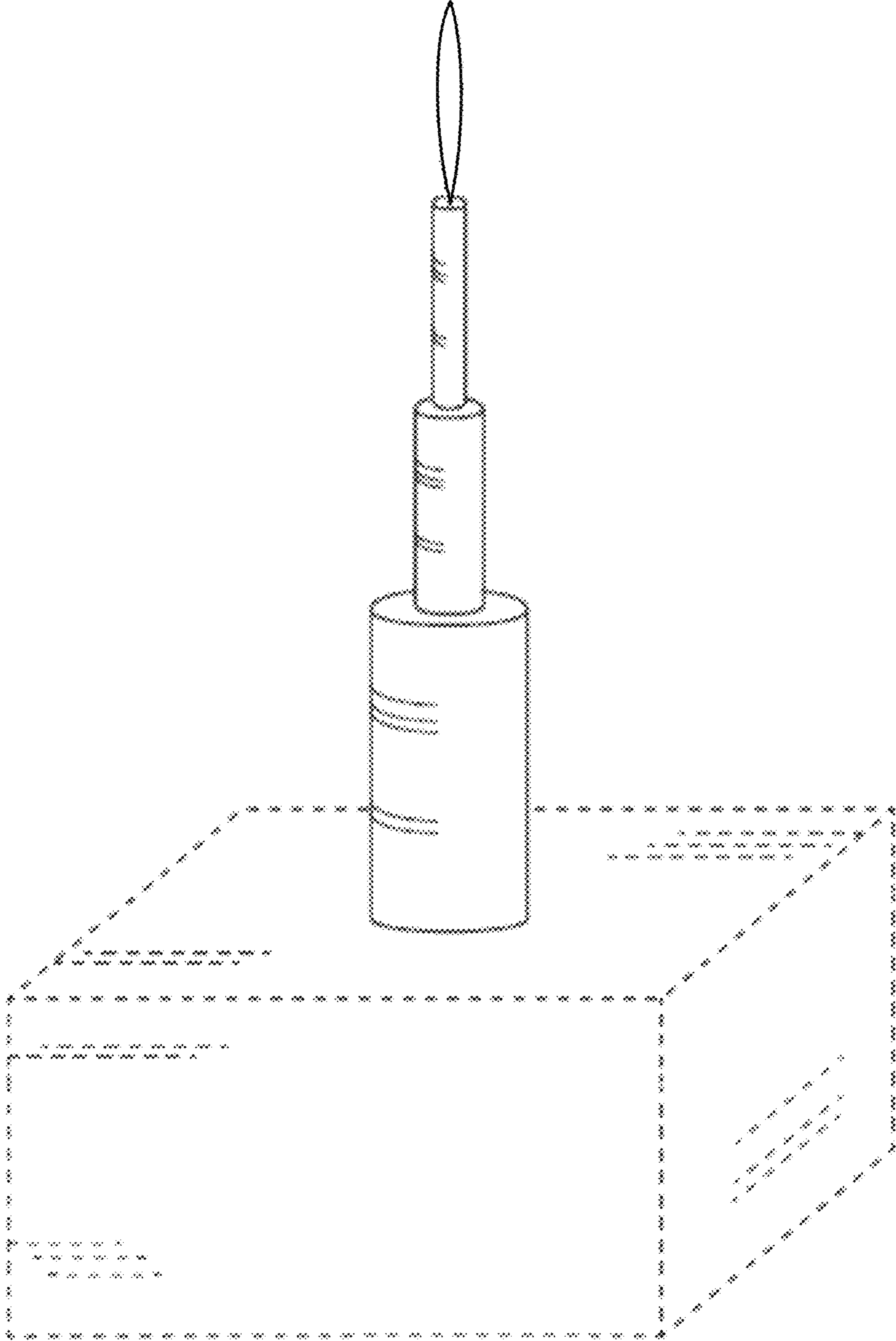


FIG. 1

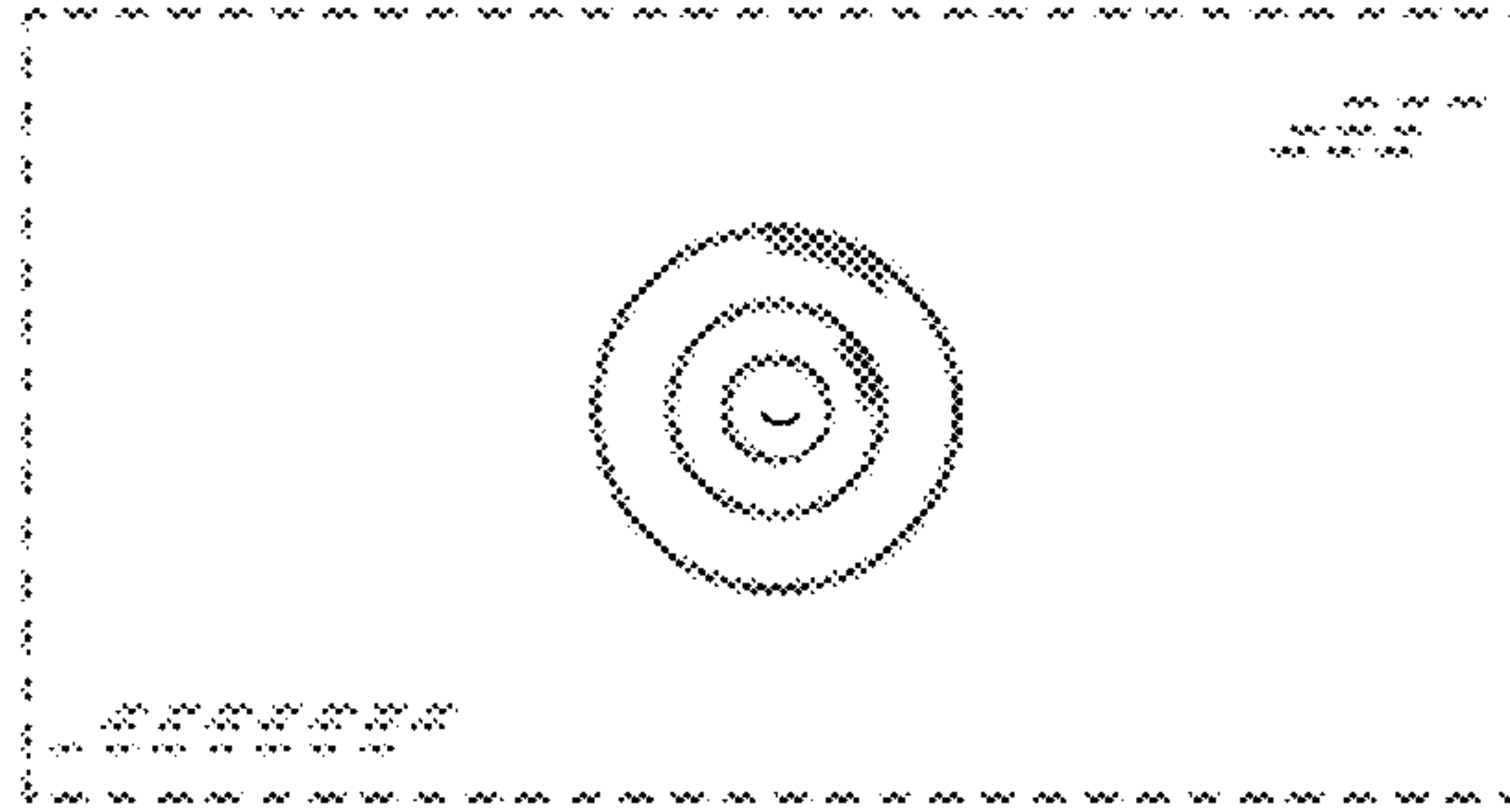


FIG. 2

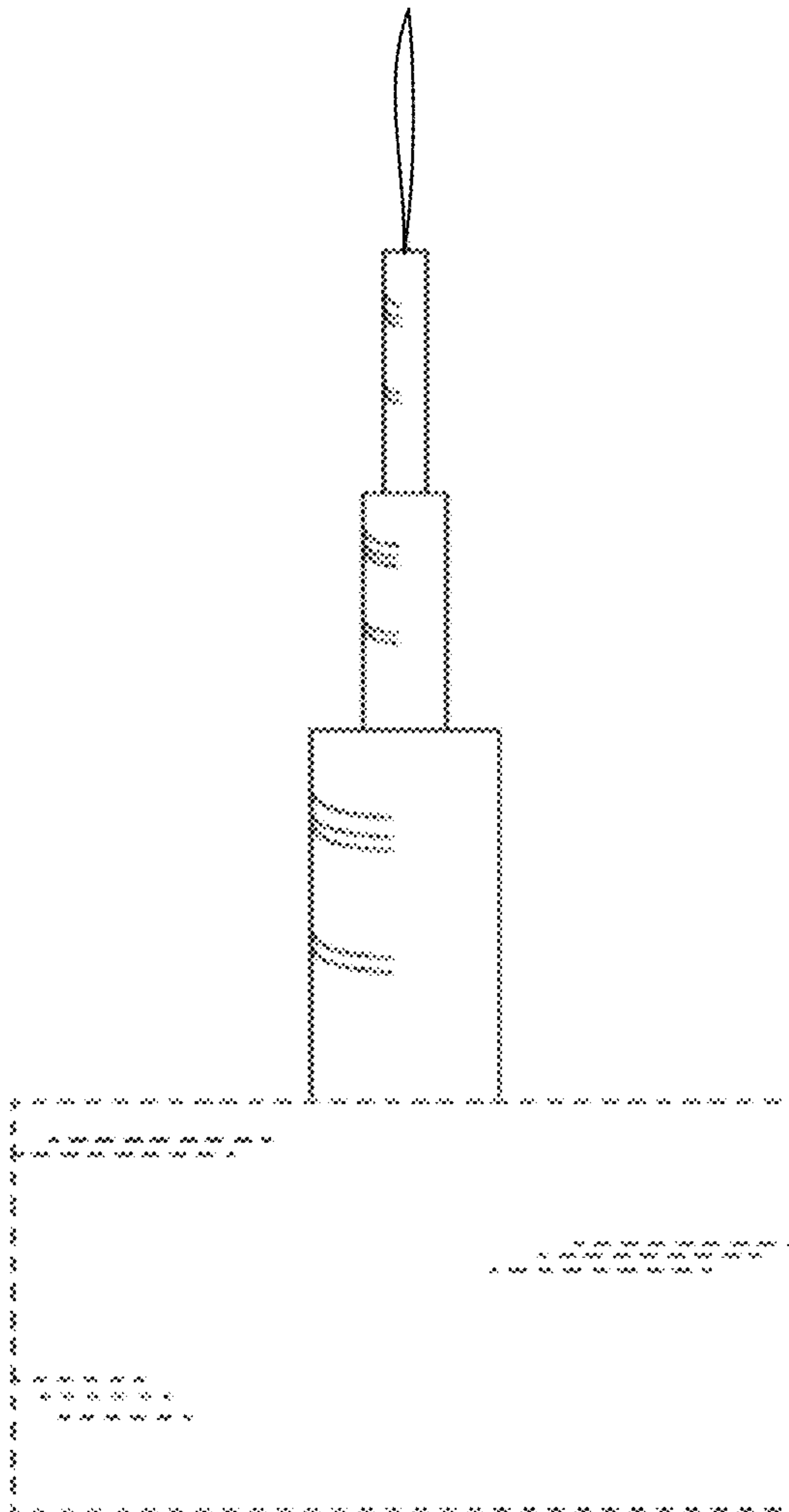


FIG. 3

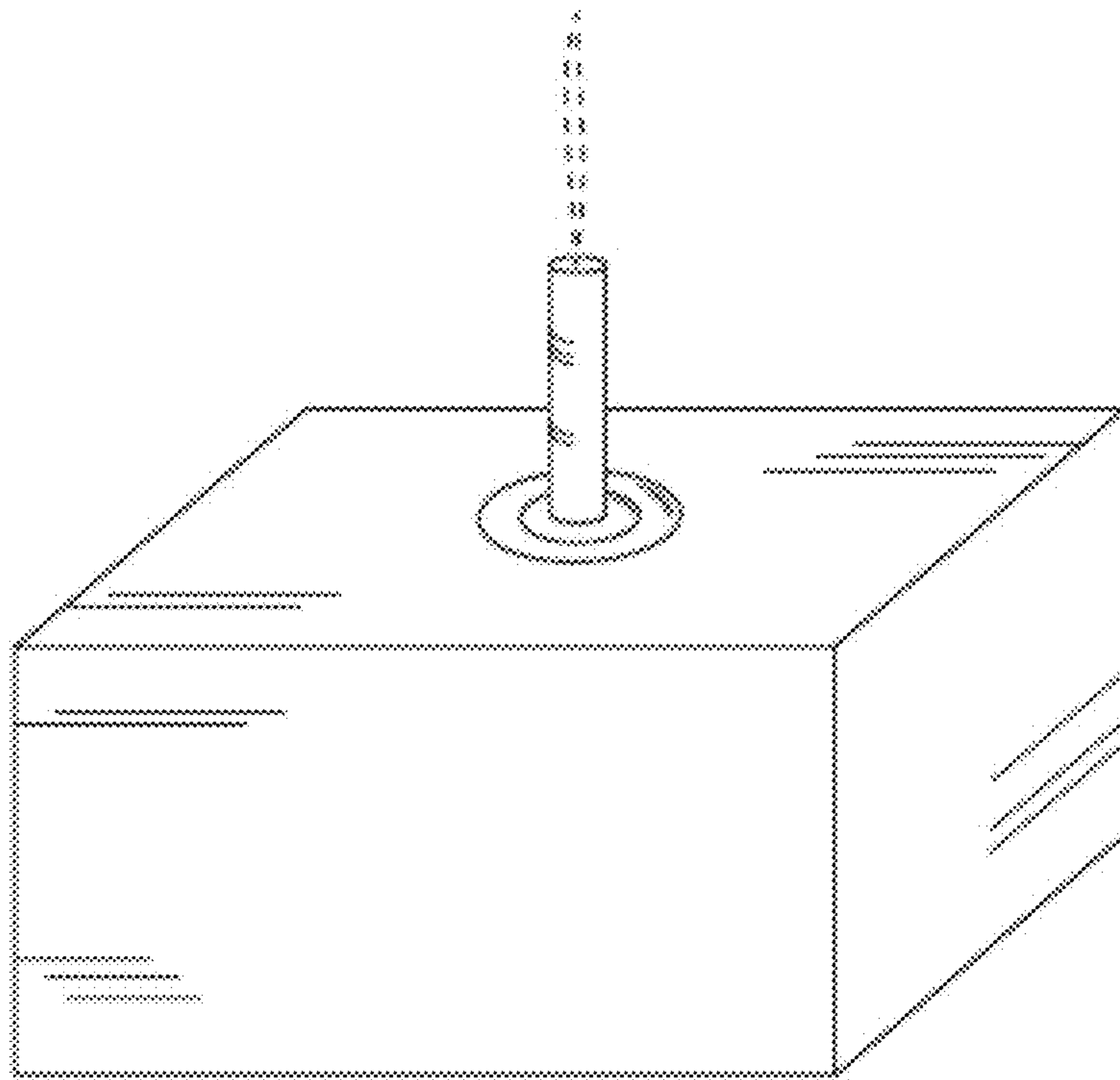


FIG. 4

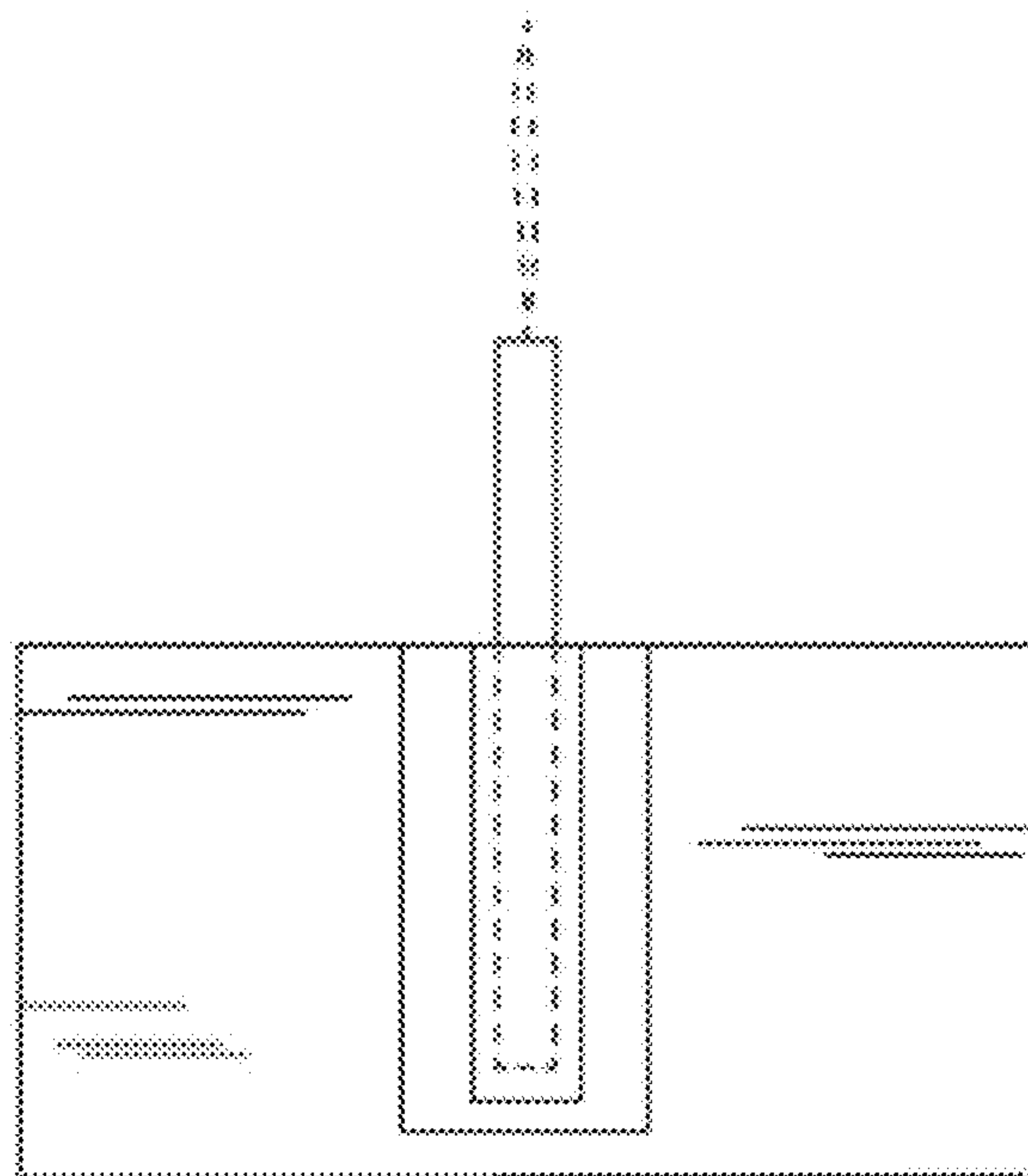


FIG. 5

UNITED STATES PATENT AND TRADEMARK OFFICE
CERTIFICATE OF CORRECTION

PATENT NO. : D888,343 S
APPLICATION NO. : 29/645315
DATED : June 23, 2020
INVENTOR(S) : Rea McLean

Page 1 of 4

It is certified that error appears in the above-identified patent and that said Letters Patent is hereby corrected as shown below:

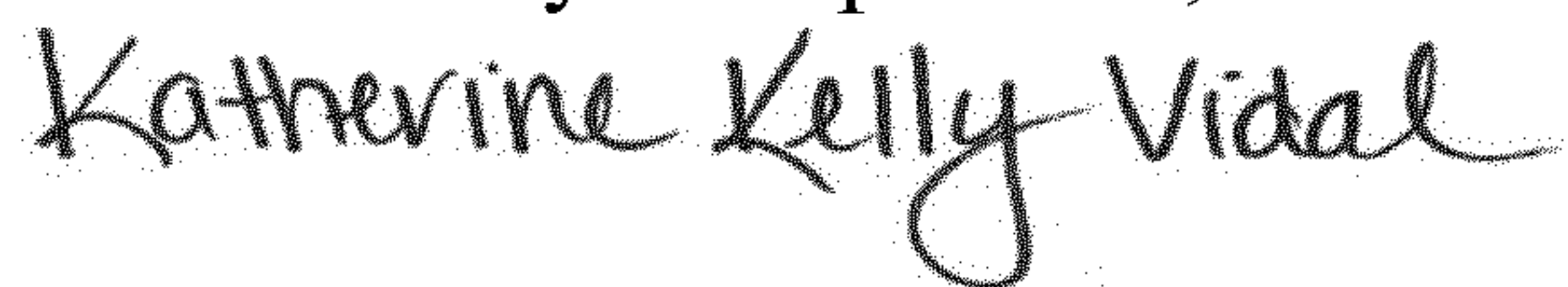
On the Title Page

The illustrative figure, should be deleted and substitute therefor the attached Title Page.

In the Drawings

Delete drawings sheets 1-3 and substitute therefor the drawing sheets, consisting of figs. 1-3 as shown on the attached pages.

Signed and Sealed this
Twelfth Day of September, 2023



Katherine Kelly Vidal
Director of the United States Patent and Trademark Office

(12) **United States Design Patent** (10) **Patent No.:** **US D888,343 S**
McLean (45) **Date of Patent:** **** Jun. 23, 2020**

(54) **HAIR WEAVING DEVICE**
 (71) Applicant: **Rea McLean**, Linden, NC (US)
 (72) Inventor: **Rea McLean**, Linden, NC (US)
 (**) Term: **15 Years**
 (21) Appl. No.: **29/645,315**
 (22) Filed: **Apr. 25, 2018**
 (51) **LOC (12) Cl.** **28-04**
 (52) **U.S. Cl.**
 USPC **D28/93**
 (58) **Field of Classification Search**
 USPC D28/93, 92, 10, 39; D11/157, 164;
 D26/6, 7, 13, 14, 22; 139/380, 381;
 66/1 R, 1 A, 1, 5, 2, 4; 131/212, 222
 CPC A46B 2200/1046; A46B 2200/1053; A46B
 2200/106; A47K 7/00
 See application file for complete search history.

7,114,455 B2 10/2006 Prifer et al.
 D590,966 S * 4/2009 Wong D26/6
 D610,279 S * 2/2010 Bolanos D26/13
 D644,361 S * 8/2011 McCoy D13/127
 D733,944 S * 7/2015 Cohanim D26/22
 9,346,650 B2 5/2016 Niizeki
 9,682,195 B2 * 6/2017 Tucker A61M 5/3129
 D851,757 S * 6/2019 Nandi D24/114

* cited by examiner

Primary Examiner — Marissa J Cash
Assistant Examiner — Rebecca Tsehaye

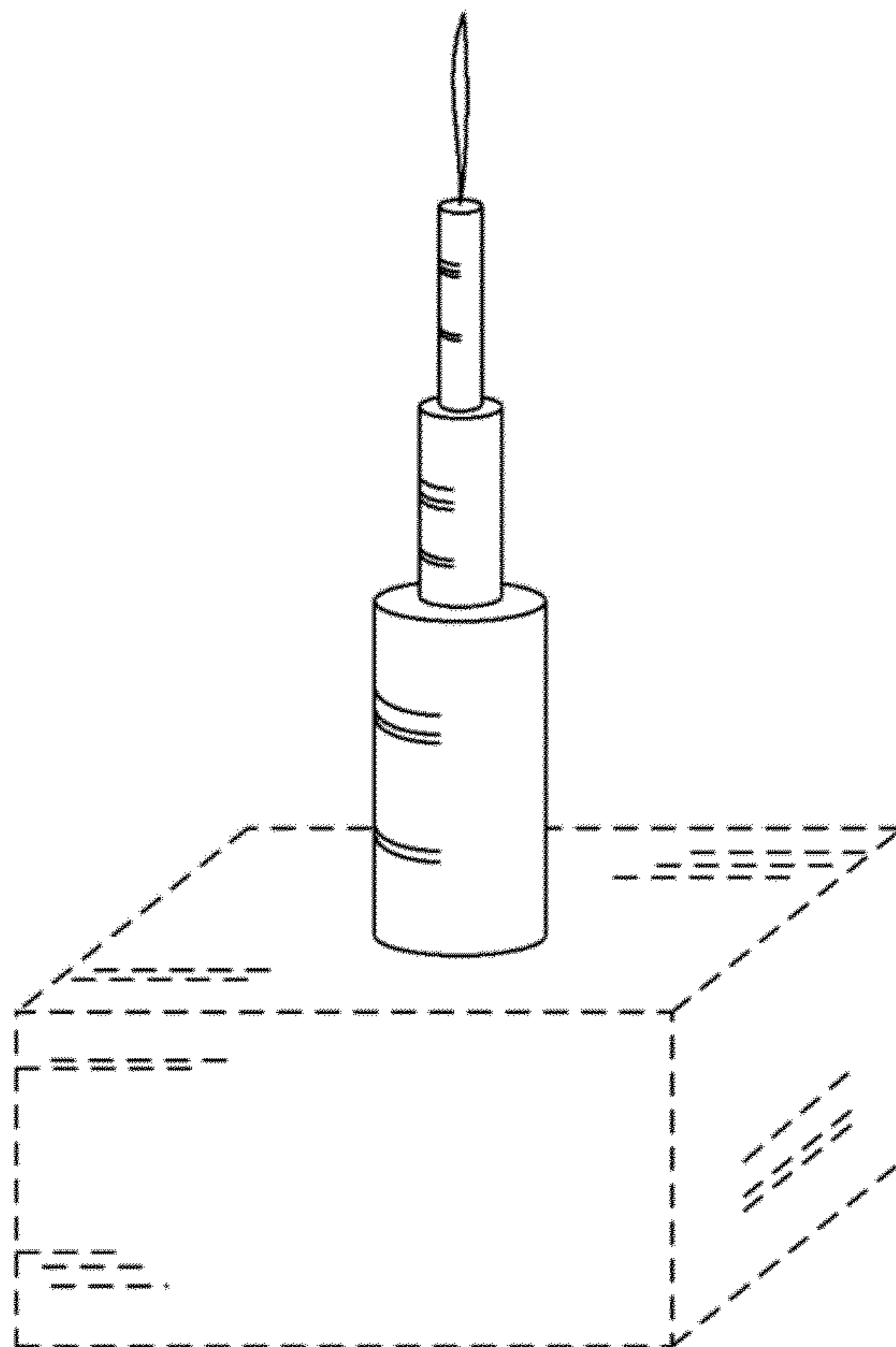
(57) **CLAIM**
 The ornamental design for a hair weaving device, as shown and described.

DESCRIPTION

FIG. 1 is a perspective view of a first embodiment of a hair weaving device;
 FIG. 2 is a top view; and,
 FIG. 3 is a side view.
 The portions of the base shown in broken lines are environmental only and form no part of the claimed design.

1 Claim, 3 Drawing Sheets

(56) **References Cited**
 U.S. PATENT DOCUMENTS
 1,507,302 A 9/1924 Zuber
 D467,362 S * 12/2002 Gue D26/19



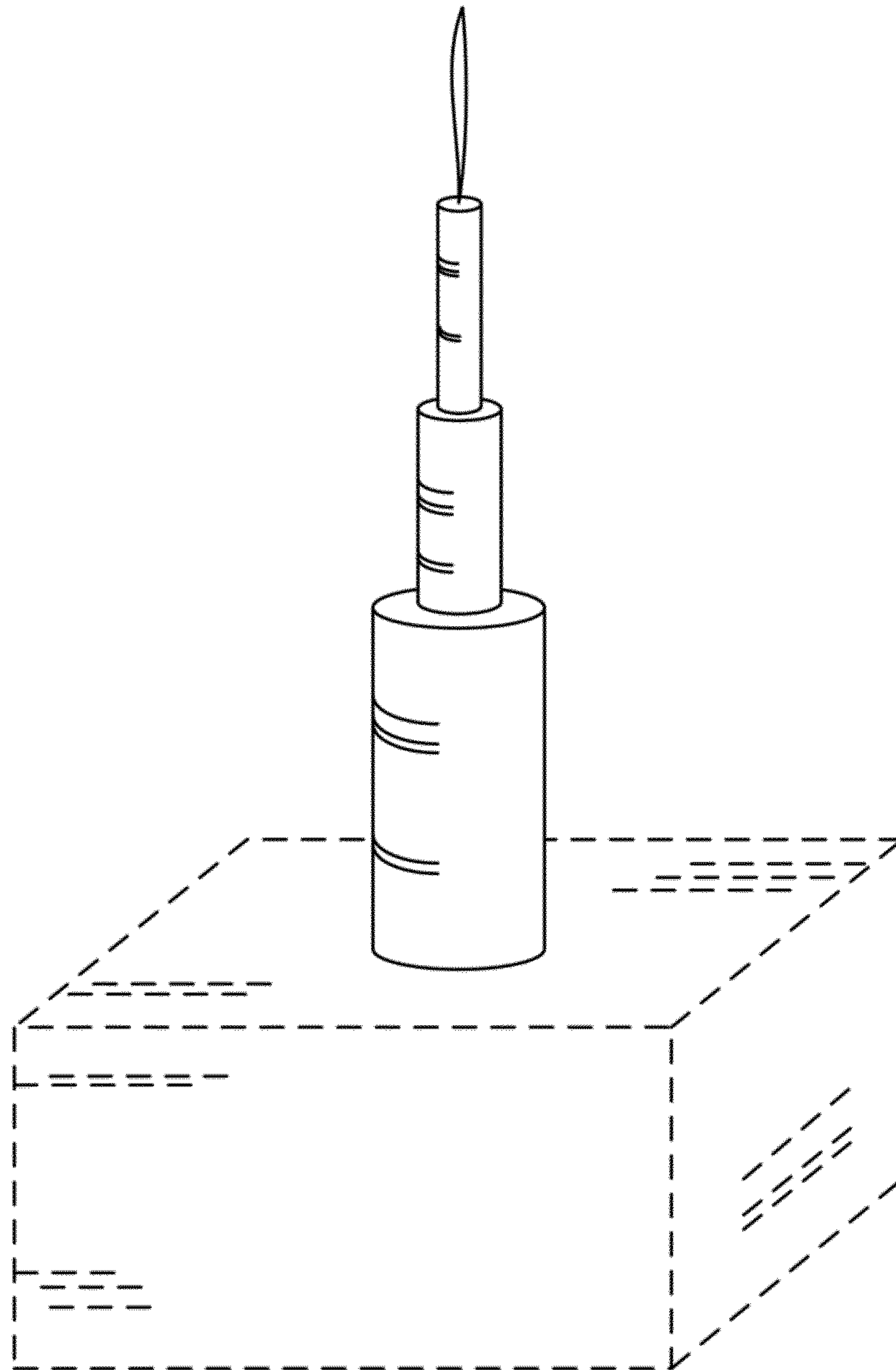


FIG. 1

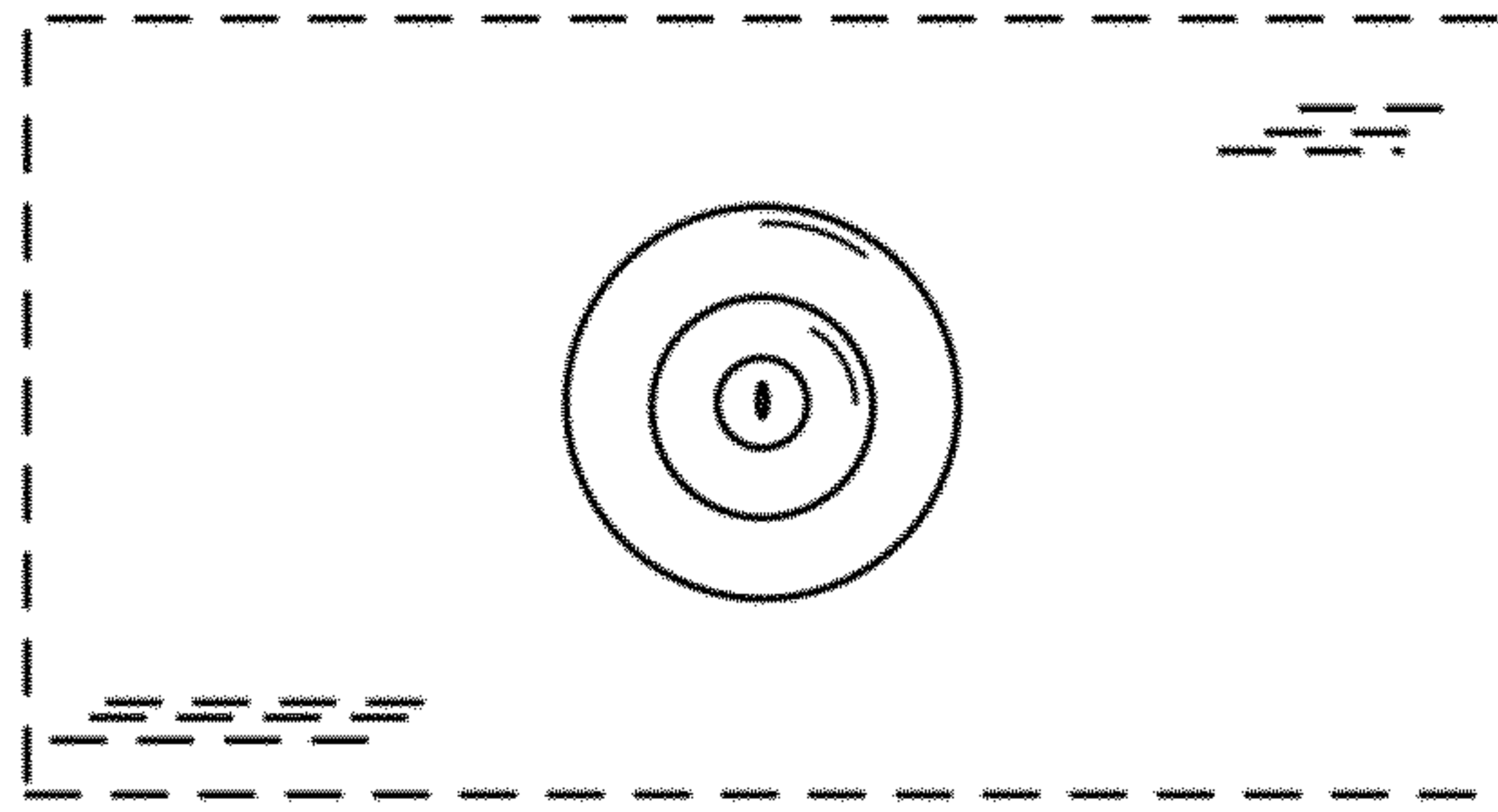


FIG. 2

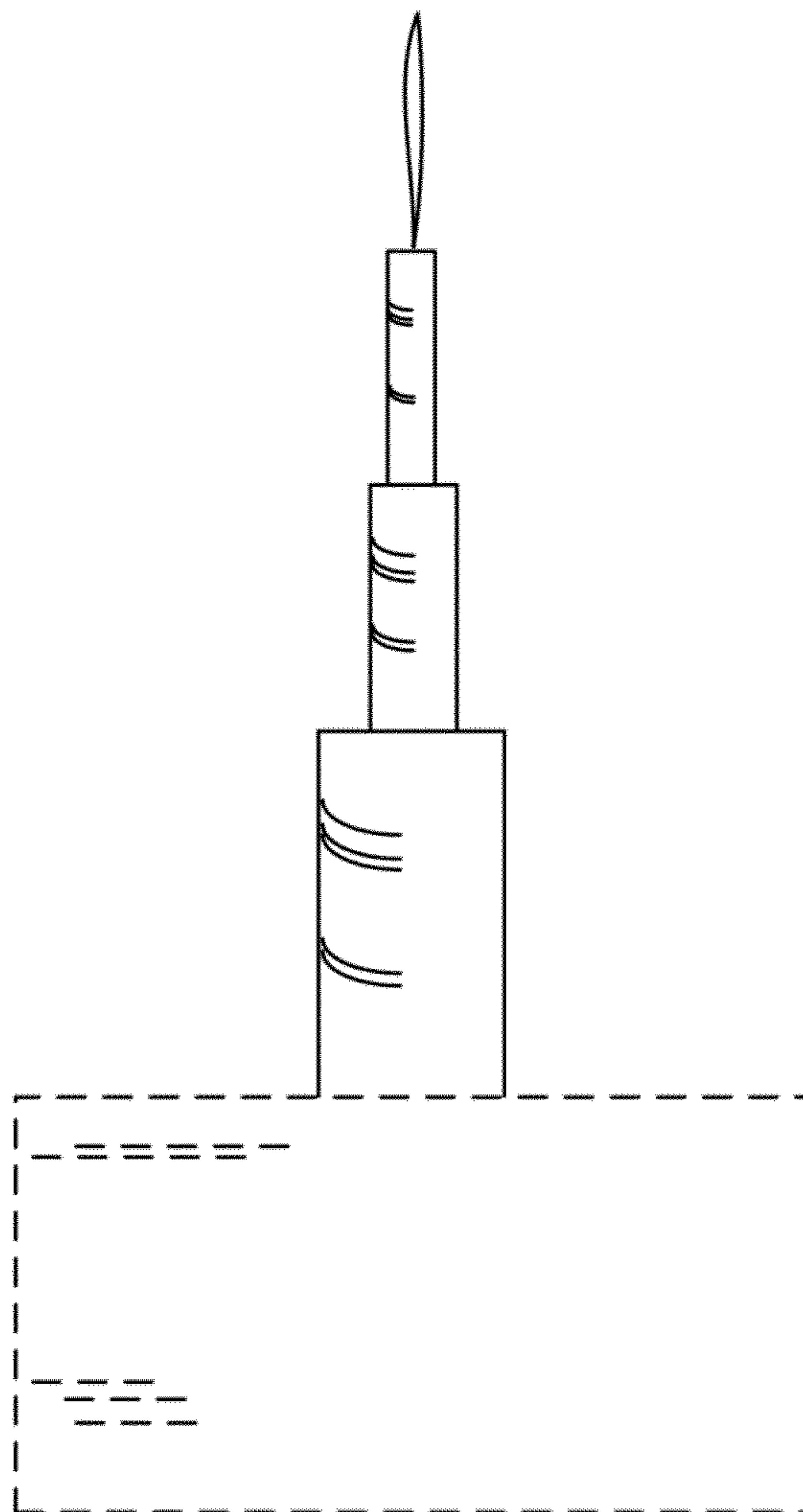


FIG. 3