



US00D888342S

(12) **United States Design Patent** (10) **Patent No.:** **US D888,342 S**  
**Fan et al.** (45) **Date of Patent:** **\*\* Jun. 23, 2020**

(54) **SKIN TREATMENT DEVICE**  
(71) Applicant: **Telebrands Corp.**, Fairfield, NJ (US)  
(72) Inventors: **Lifeng Fan**, Yuyao (CN); **Junchao Zhou**, Yuyao (CN)

D864,406 S \* 10/2019 An ..... D24/214  
2005/0103357 A1\* 5/2005 Jo ..... A61B 17/54  
132/76.4  
2007/0225732 A1 9/2007 Cho  
(Continued)

(\*\*) Term: **15 Years**

FOREIGN PATENT DOCUMENTS  
CN 300745974 2/2008  
CN 301007260 9/2009  
(Continued)

(21) Appl. No.: **29/676,694**

(22) Filed: **Jan. 14, 2019**

OTHER PUBLICATIONS

(51) **LOC (12) Cl.** ..... **28-03**

(52) **U.S. Cl.**  
USPC ..... **D28/58**; D28/59; D24/146; D24/214

(58) **Field of Classification Search**  
USPC ..... D28/58, 59; D24/146-147, 214  
CPC ..... A61H 7/005; A61B 2017/00424; A61B  
2017/00764; A61B 2017/00761; A61B  
17/32; A61B 17/54; A45D 29/00; A45D  
29/05; A45D 29/14

“[CNAIER] Electric Pedicure Device Feet Care Tool Best Heel  
Pedicure Tool Skin Callus Remover Rechargeable Personal Care  
AE-835”, available at [https://www.aliexpress.com/store/product/CNAIER-Electric-Pedicure-Device-Feet-Care-Tool-Best-Heel-Pedicure-Tool-Skin-Callus-Remover-Rechargeable/3123024\\_32850432642.html?spm=2114.12010608.0.0.62783985ptG9Pm](https://www.aliexpress.com/store/product/CNAIER-Electric-Pedicure-Device-Feet-Care-Tool-Best-Heel-Pedicure-Tool-Skin-Callus-Remover-Rechargeable/3123024_32850432642.html?spm=2114.12010608.0.0.62783985ptG9Pm)  
(retrieved Nov. 29, 2018).

See application file for complete search history.

(Continued)

*Primary Examiner* — Jennifer Rivard  
(74) *Attorney, Agent, or Firm* — Cooper & Dunham LLP

(56) **References Cited**

(57) **CLAIM**

The ornamental design for a skin treatment device, as shown  
and described.

U.S. PATENT DOCUMENTS

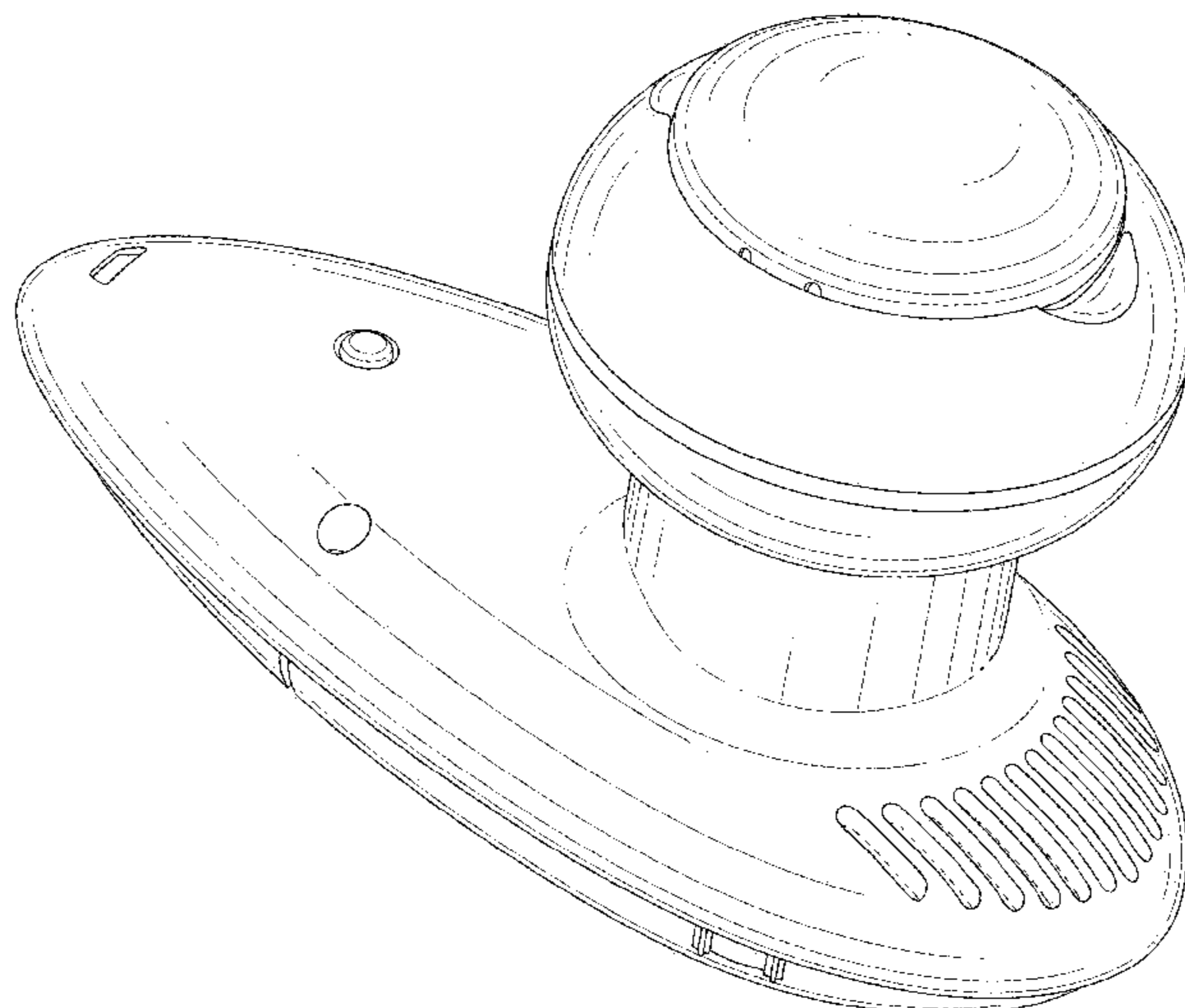
**DESCRIPTION**

- D369,658 S \* 5/1996 Holt ..... D24/133
- 6,629,983 B1 10/2003 Ignon
- 6,911,031 B2 6/2005 Muldner
- D523,143 S \* 6/2006 Anderson ..... D24/147
- 7,651,508 B2 1/2010 Vierk
- D614,356 S \* 4/2010 Khubani ..... D28/59
- D662,670 S \* 6/2012 Marden ..... D28/59
- D676,606 S \* 2/2013 Byun ..... D28/59
- 8,540,731 B2 \* 9/2013 Kay ..... A61B 17/54  
606/131
- D703,869 S \* 4/2014 Franck ..... D28/44.1
- D715,935 S \* 10/2014 Huntington ..... D24/146
- 9,675,381 B2 6/2017 Hollinger
- 10,194,935 B2 \* 2/2019 Grez ..... A61B 17/3205
- D847,360 S \* 4/2019 Levi ..... D24/214
- D848,010 S \* 5/2019 Tai ..... D24/214

FIG. 1 is a top perspective view of a skin treatment device  
in accordance with the present design;  
FIG. 2 is a top view thereof;  
FIG. 3 is a bottom view thereof;  
FIG. 4 is a right side view thereof;  
FIG. 5 is a left side view thereof;  
FIG. 6 is a front view thereof; and,  
FIG. 7 is a back view thereof.

The broken lines shown in the drawings illustrate portions of  
the skin treatment device that form no part of the claimed  
design.

**1 Claim, 6 Drawing Sheets**



(56)

References Cited

U.S. PATENT DOCUMENTS

2008/0000490 A1\* 1/2008 Jo ..... A45D 29/18  
132/76.4  
2009/0004953 A1\* 1/2009 Kinsey ..... A61B 17/54  
451/163  
2009/0177171 A1 7/2009 Ignon et al.  
2010/0037906 A1\* 2/2010 Ionis ..... A61B 17/54  
132/76.5  
2014/0305458 A1 10/2014 Loreal  
2015/0245853 A1 9/2015 Jakubow  
2015/0297261 A1\* 10/2015 Comstock ..... A61B 17/54  
132/76.5  
2017/0071313 A1\* 3/2017 Barrett ..... A45D 29/14  
2017/0360464 A1\* 12/2017 Jurna ..... A61B 17/54  
2018/0235661 A1\* 8/2018 Palushaj ..... A45D 29/00  
2019/0216207 A1\* 7/2019 Fan ..... A45D 44/00  
2019/0298036 A1\* 10/2019 Skidmore ..... A45D 34/04

FOREIGN PATENT DOCUMENTS

CN 301492776 3/2011  
CN 301516801 4/2011  
CN 301892420 4/2012  
CN 302821574 5/2014  
CN 303250886 6/2015  
CN 303512809 12/2015  
CN 303664029 5/2016  
CN 304016933 1/2017  
EM 002697557-0001 5/2018

EM 005298189-0001 10/2018  
KR 30-2016-0000210 3/2016  
WO 061395-0002 10/2002

OTHER PUBLICATIONS

“OSM&LX Electric Callus Remover Rechargeable File for Foot Vacuum Absorption Pedicure Tools Foot Care Tools with 3 Heads”, available at <https://www.amazon.com/OSM-LX-Electric-Rechargeable-Absorption/dp/B07GTKDZYH> (retrieved Oct. 8, 2018).  
“Electric Pedi File”, available at <http://soobis.com/blog/remodeling-your-kitchen-should-you-hire-a-decorator/#> (retrieved Nov. 29, 2018).  
International Search Report PCT/US2018/64053, dated Feb. 12, 2019.  
Written Opinion of International Search Authority PCT/US2018/64053 dated Feb. 12, 2019.  
Evaluation Report on Design Patent for U.S. Patent No. 201730622297.  
X, National Intellectual Property Administration of the People’s Republic of China, dated May 4, 2018.  
“Snap Pricing Waterproof Professional Electric Callus Remover”, available at <https://sc01.alicdn.com/kf/HTB1RjTiHXXXXXbJXVXXq6xXFXXXv/200095546/HTB1RjTiHXXXXXbJXVXXq6xXFXXXv.jpg> (retrieved Nov. 29, 2018).  
“2018 Newest Electric Callus Remover Rechargeable File for Foot Vacuum Absorption Pedicure Tools Foot Care Tools With 3 Heads”, available at <https://www.aliexpress.com/item/2018-Newest-Electric-Callus-Remover-Rechargeable-File-For-Foot-Vacuum-Absorption-Pedicure-Tools-Foot-Care-Tools/32911559078.html> (retrieved Oct. 8, 2018).

\* cited by examiner

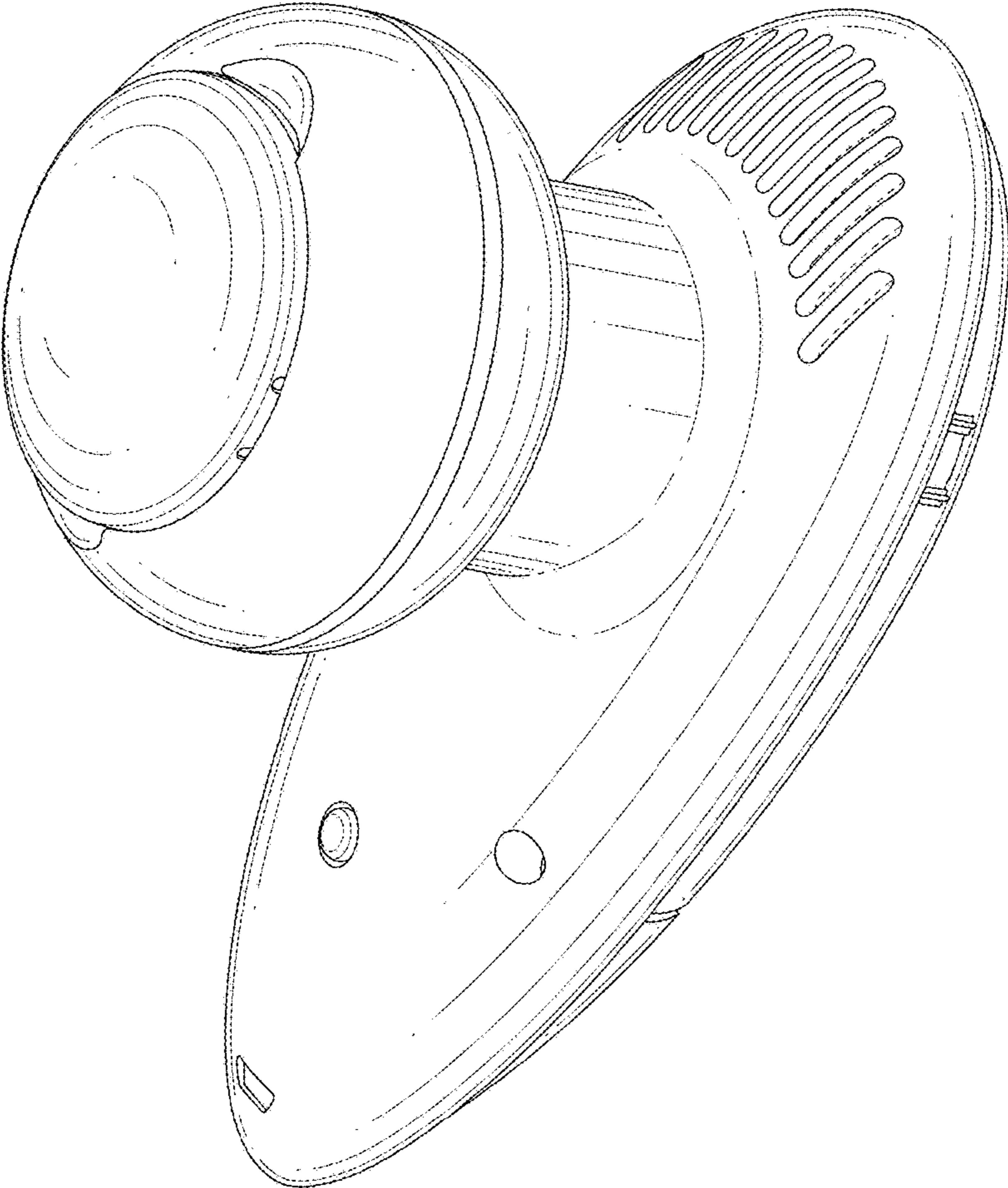


FIG. 1

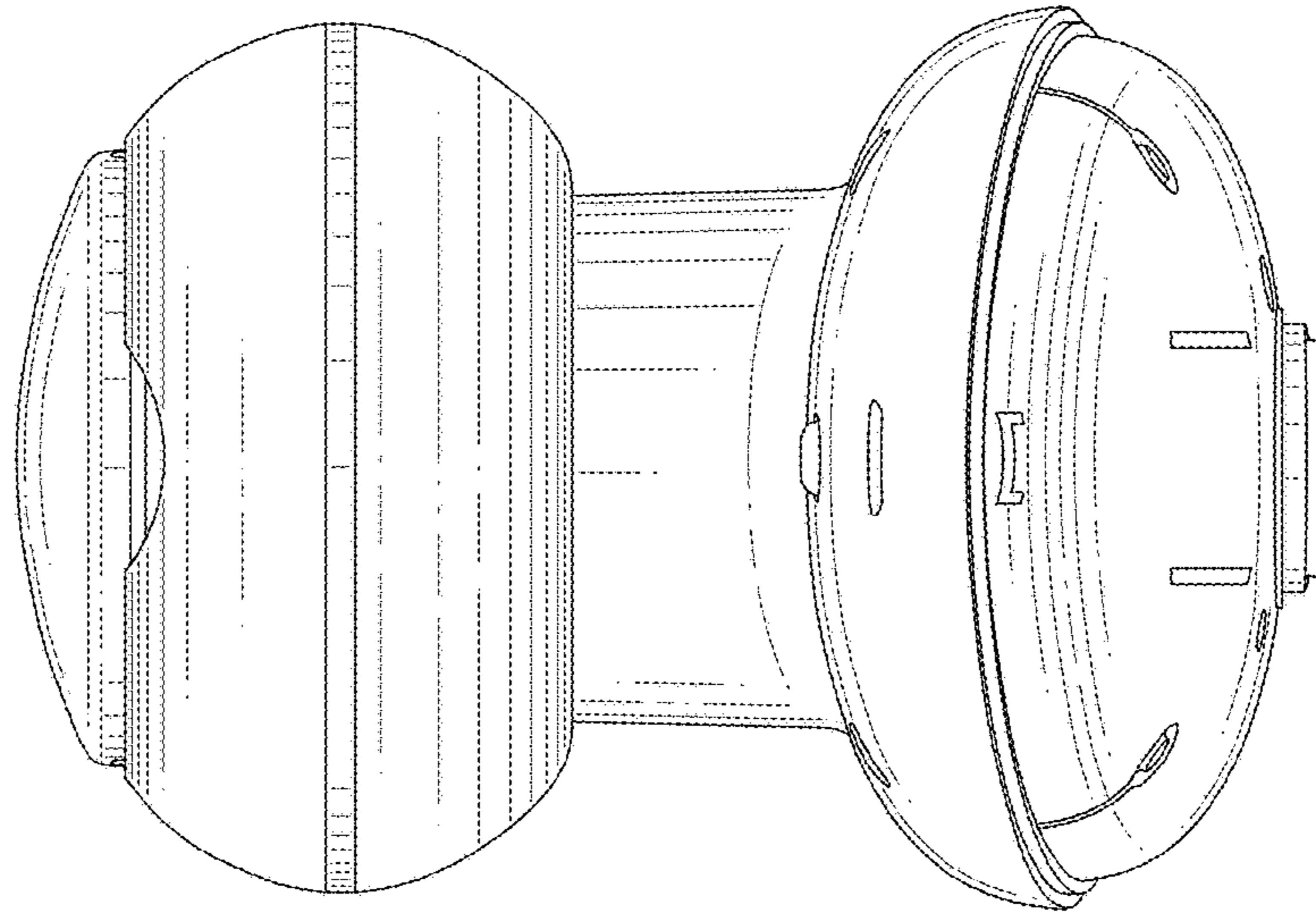


FIG. 2

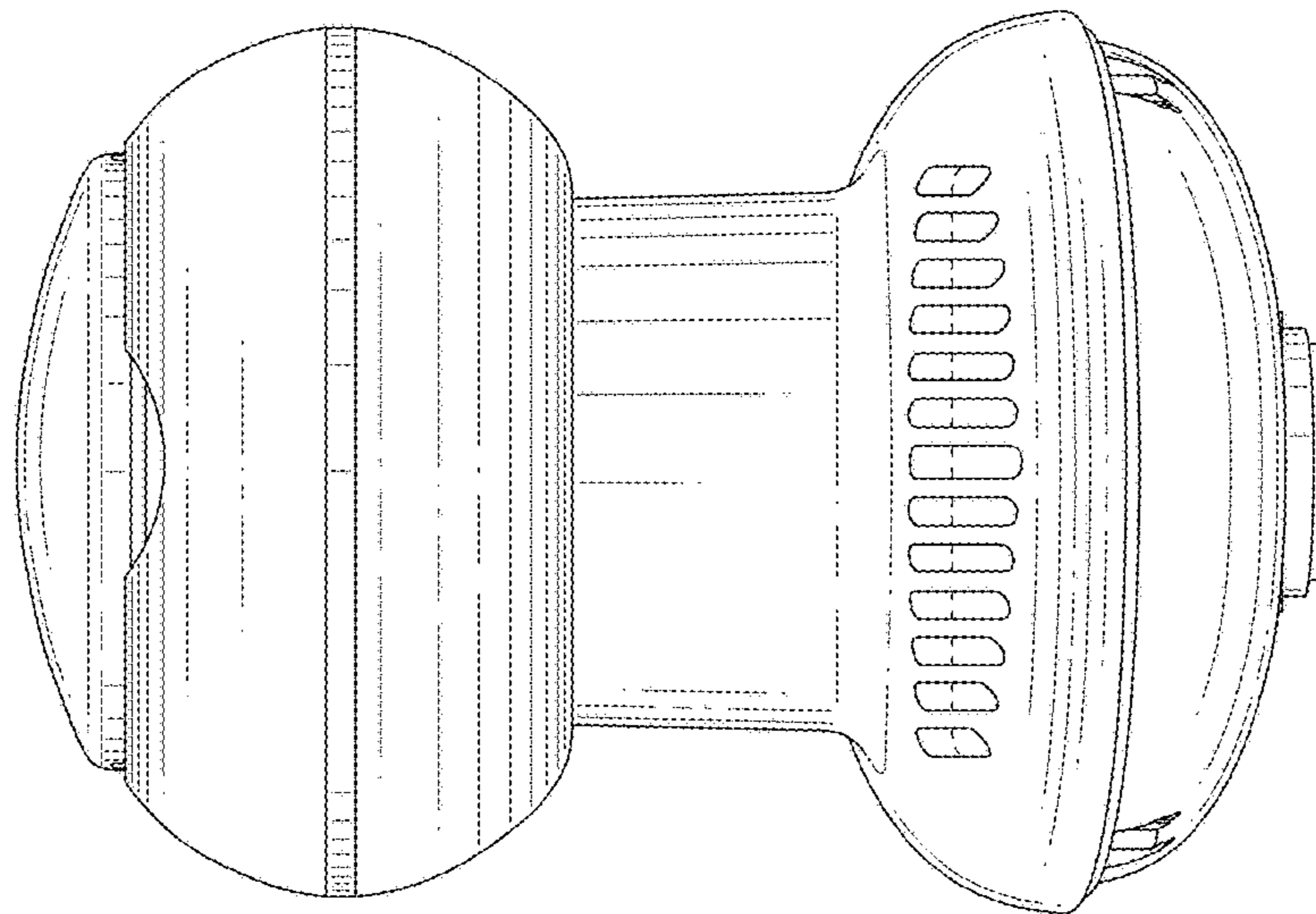


FIG. 3

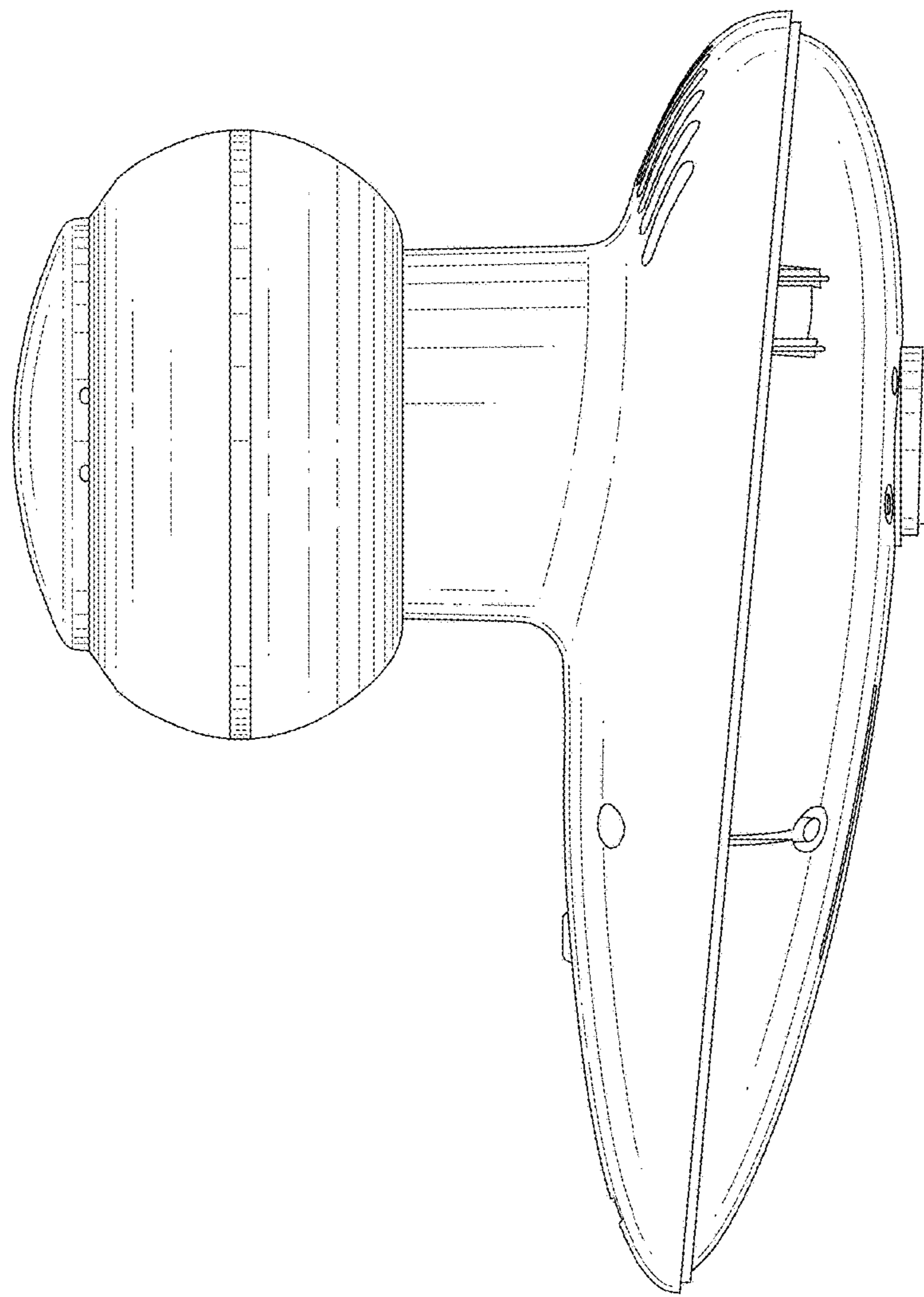


FIG.4

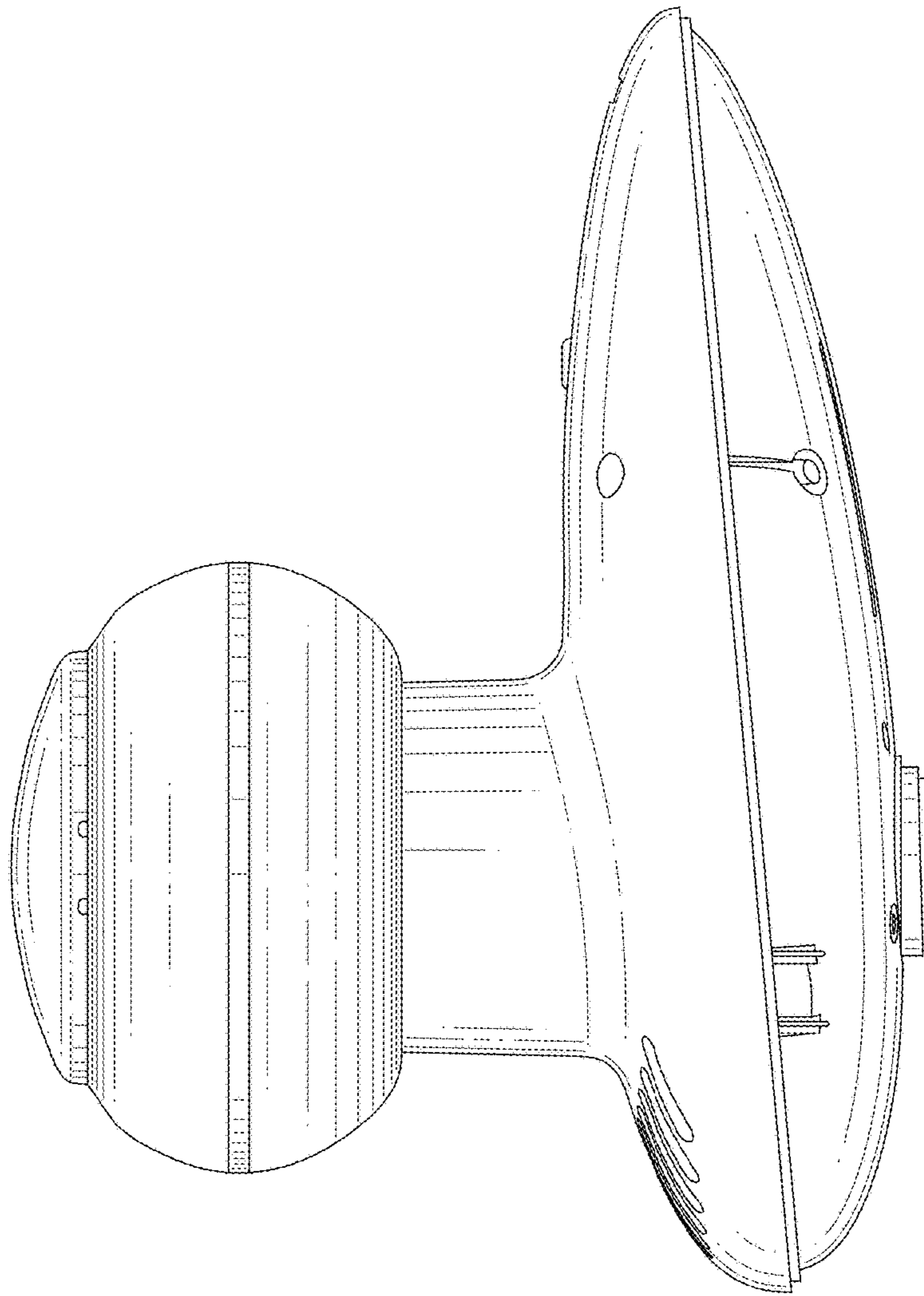


FIG. 5

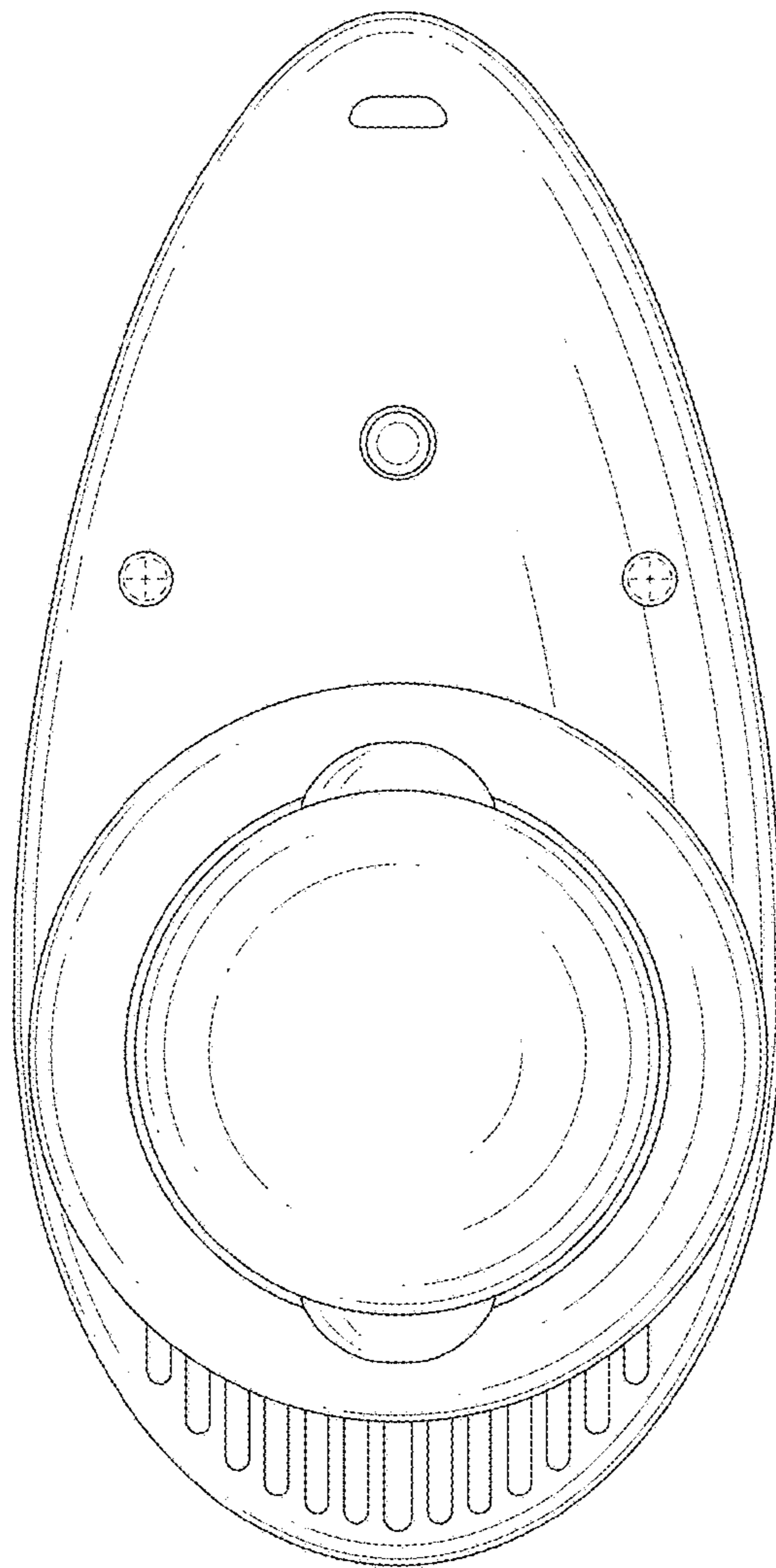


FIG.6

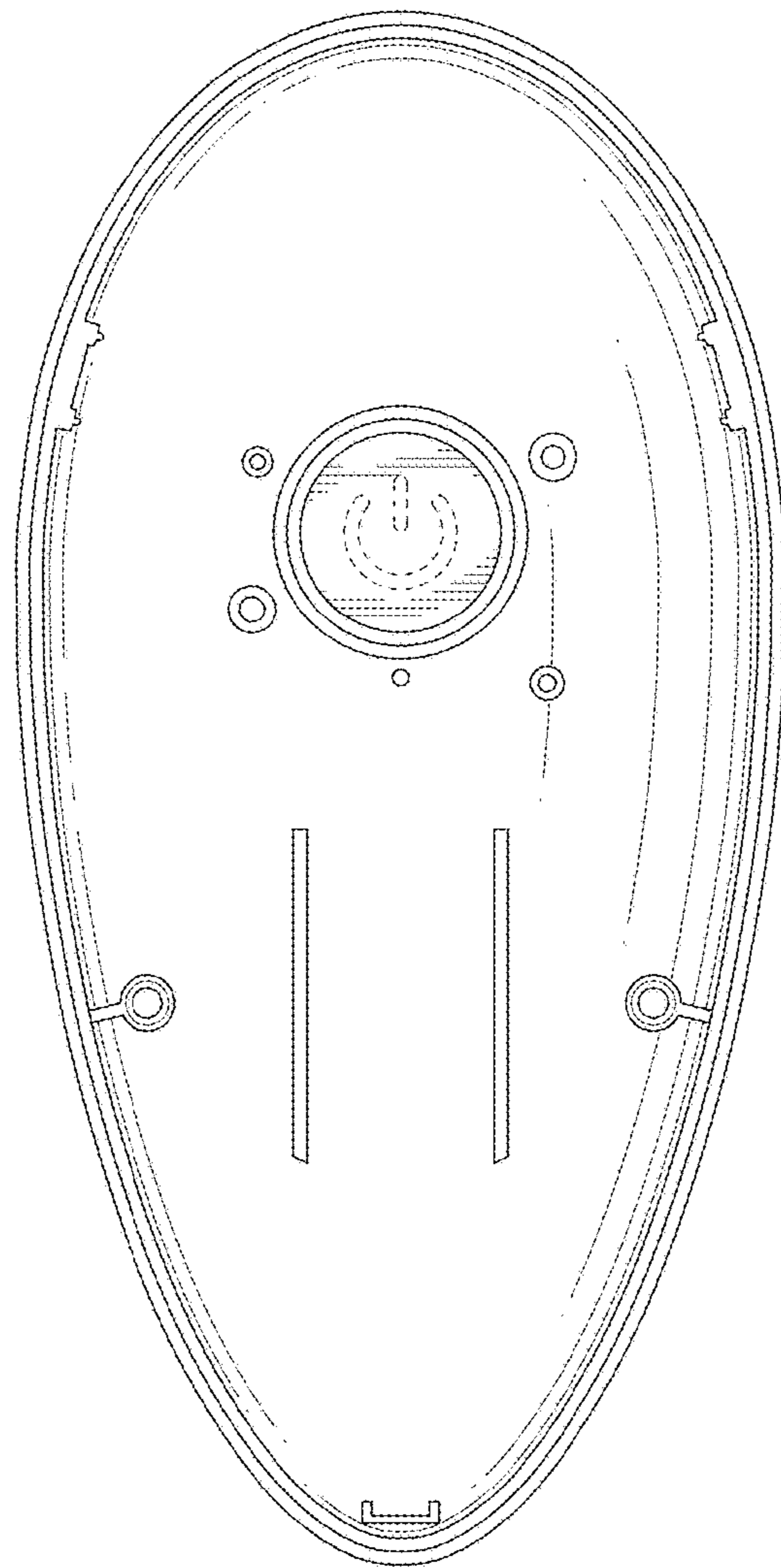


FIG. 7