



US00D888339S

(12) **United States Design Patent**  
**Go et al.**

(10) **Patent No.:** **US D888,339 S**  
(45) **Date of Patent:** **\*\* Jun. 23, 2020**

- (54) **RAZOR CARTRIDGE**
- (71) Applicant: **Dorco Co., Ltd.**, Seoul (KR)
- (72) Inventors: **Woogyeong Go**, Seoul (KR); **Dawoon Han**, Seoul (KR); **Hyosun Ahn**, Seoul (KR)
- (73) Assignee: **Dorco Co., Ltd.**, Seoul (KR)
- (\*\*) Term: **15 Years**
- (21) Appl. No.: **29/645,513**
- (22) Filed: **Apr. 26, 2018**
- (51) **LOC (12) Cl.** ..... **28-03**
- (52) **U.S. Cl.**  
USPC ..... **D28/47**
- (58) **Field of Classification Search**  
USPC ..... D28/45–48  
CPC ..... B26B 21/00–06; B26B 21/08–227; B26B 21/24–28; B26B 21/30–38; B26B 21/40–4093; B26B 21/52–528  
See application file for complete search history.

- D604,904 S \* 11/2009 Watson ..... D28/47
- D698,998 S \* 2/2014 Lukan ..... D28/46
- D764,100 S \* 8/2016 Park ..... D28/47
- D772,484 S \* 11/2016 Park ..... D28/47
- D819,273 S \* 5/2018 Cabrera ..... D28/47
- D829,380 S \* 9/2018 Kong ..... D28/47
- D843,059 S \* 3/2019 Lettenberger ..... D28/47

\* cited by examiner

*Primary Examiner* — Jennifer Rivard  
(74) *Attorney, Agent, or Firm* — Perkins Coie LLP

(57) **CLAIM**

The ornamental design for a razor cartridge, as shown and described.

**DESCRIPTION**

FIG. 1 is a perspective view of a razor cartridge showing my new design;  
FIG. 2 is a bottom plan view of the razor cartridge;  
FIG. 3 is a top plan view of the razor cartridge;  
FIG. 4 is a side view of the razor cartridge;  
FIG. 5 is another side view of the razor cartridge;  
FIG. 6 is a front view of the razor cartridge;  
FIG. 7 is a rear view of the razor cartridge; and,  
FIG. 8 is an additional perspective view of the razor cartridge.

The ornamental design of a razor cartridge is shown in FIGS. 1 to 8.

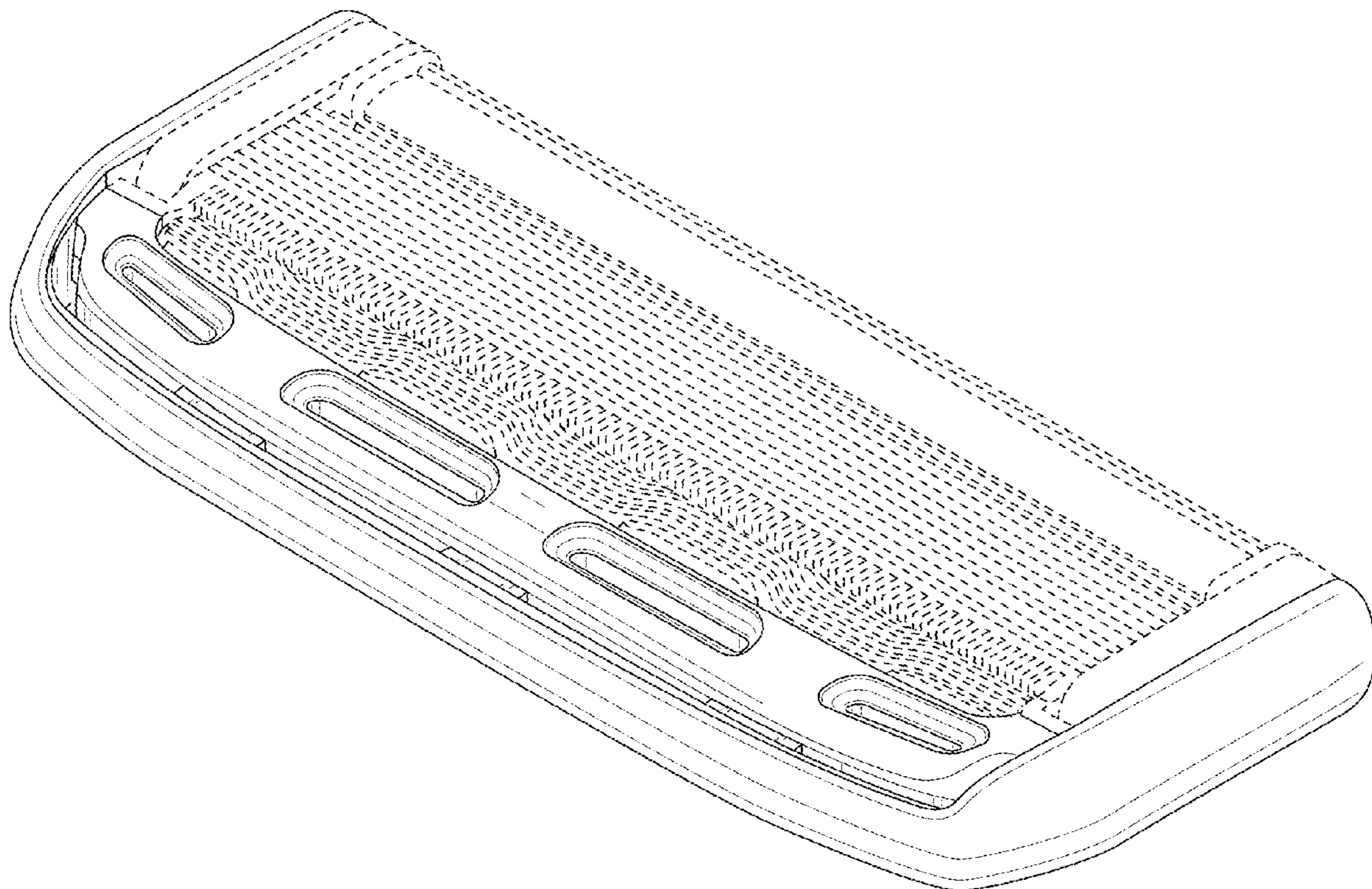
The claimed design is disclosed with shaded surfaces and solid, contour lines. The evenly spaced broken lines illustrate portions of the razor cartridge and form no part of the claimed design.

(56) **References Cited**

U.S. PATENT DOCUMENTS

- D343,254 S \* 1/1994 Miller ..... D28/47
- 5,604,983 A \* 2/1997 Simms ..... B26B 21/44  
30/49
- D403,811 S \* 1/1999 Brown ..... D28/47

**1 Claim, 5 Drawing Sheets**



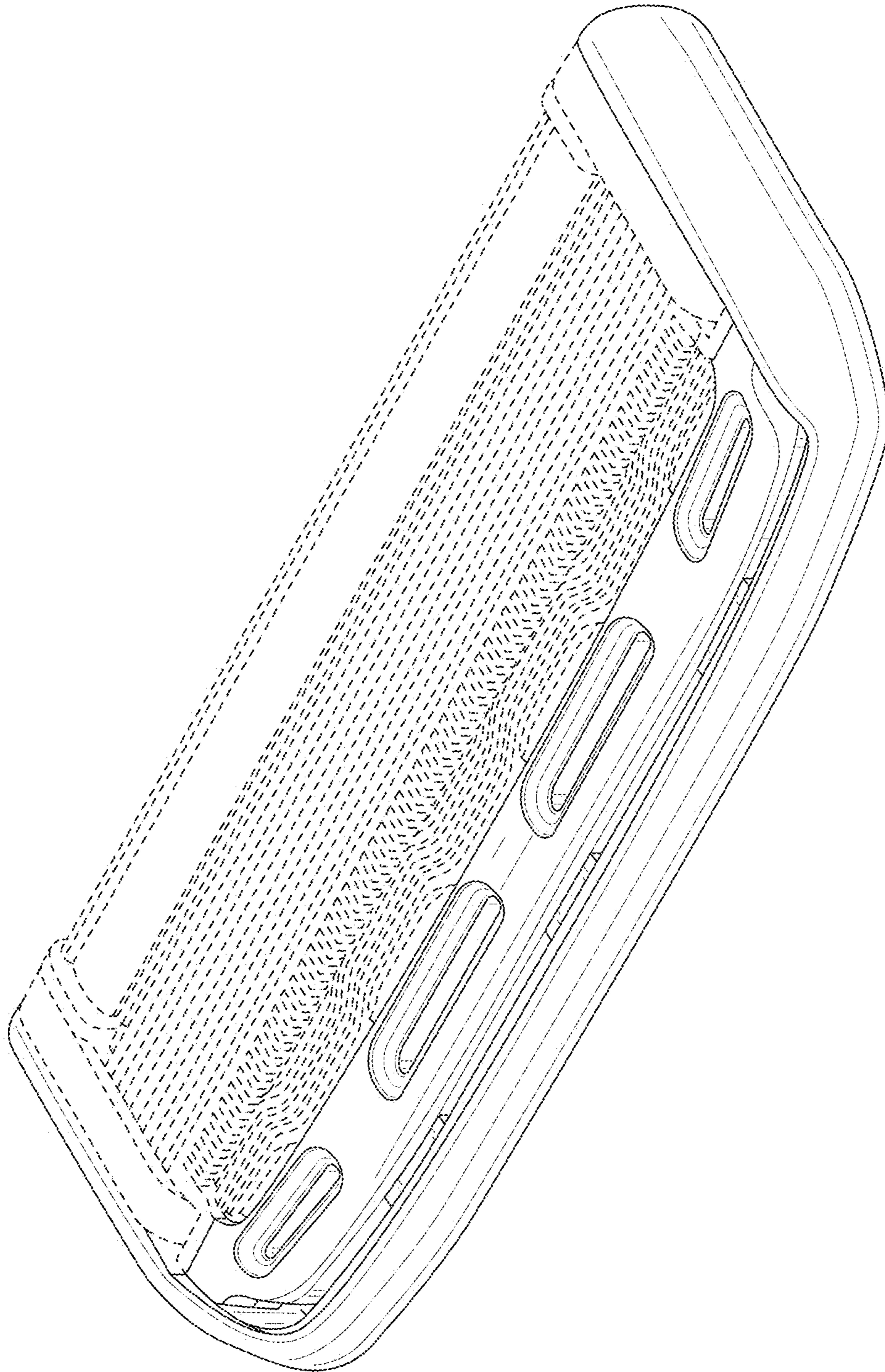


Fig. 1

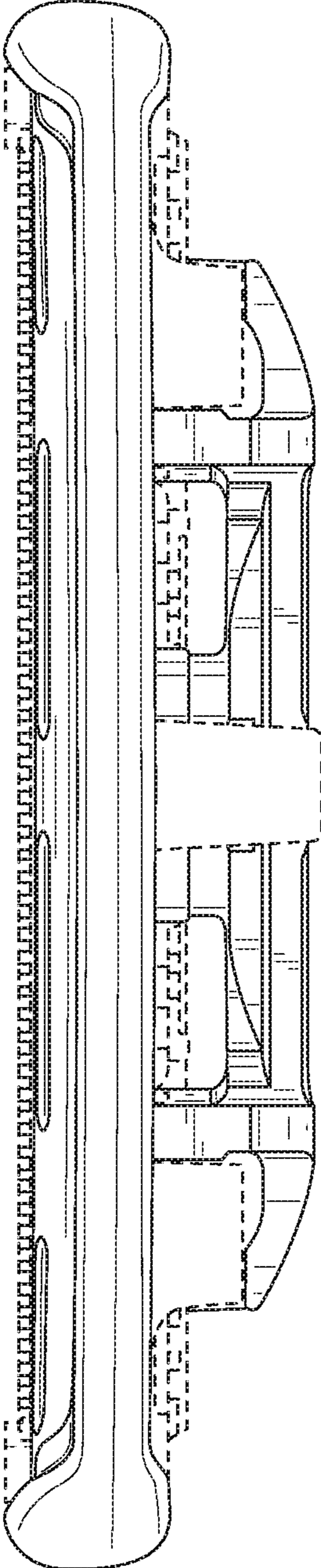


Fig. 2

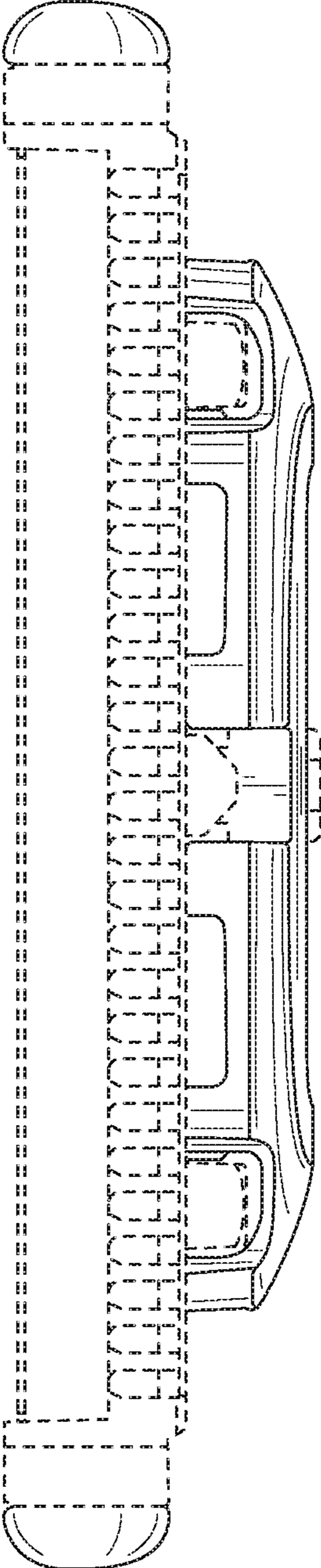
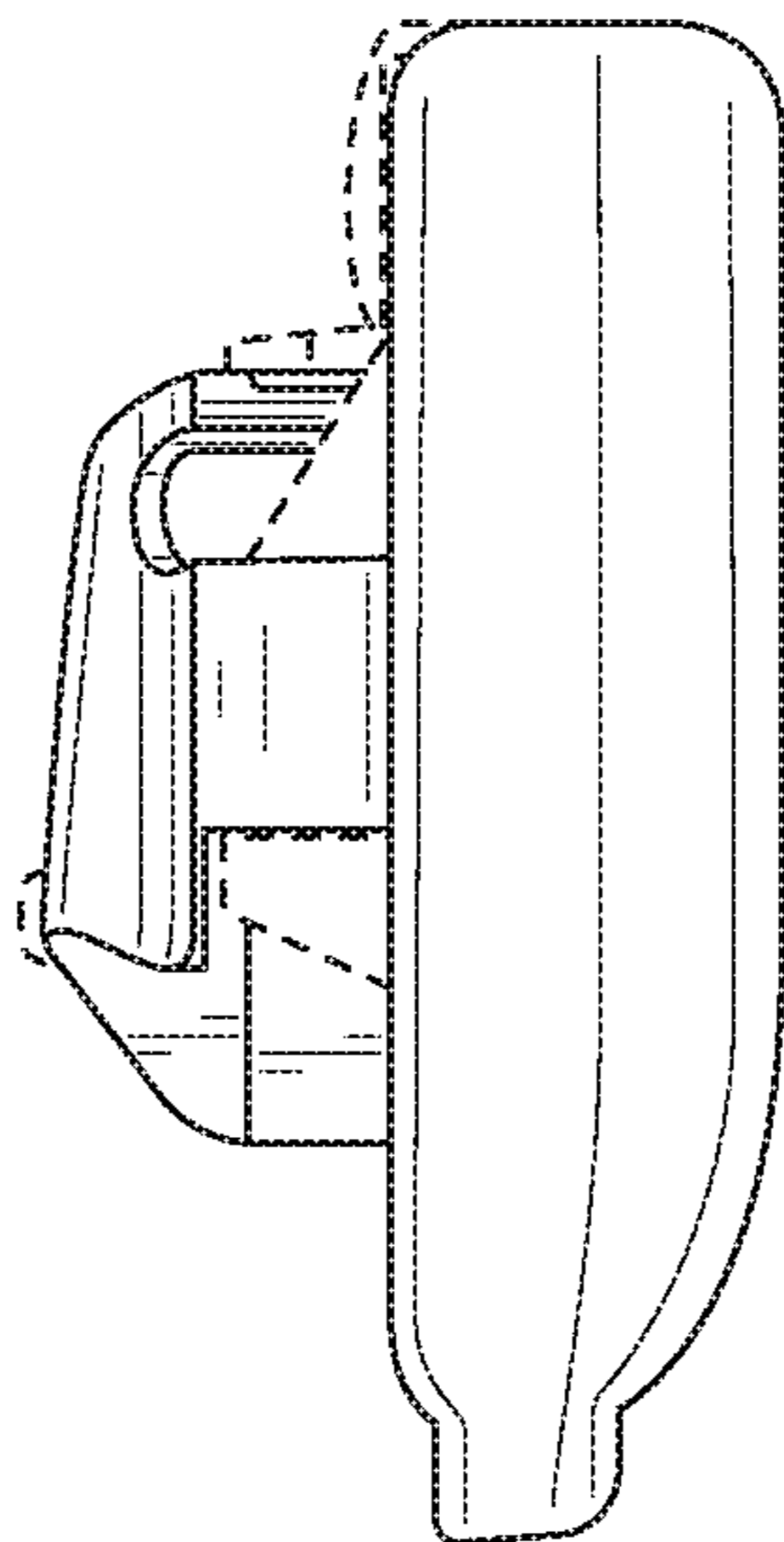
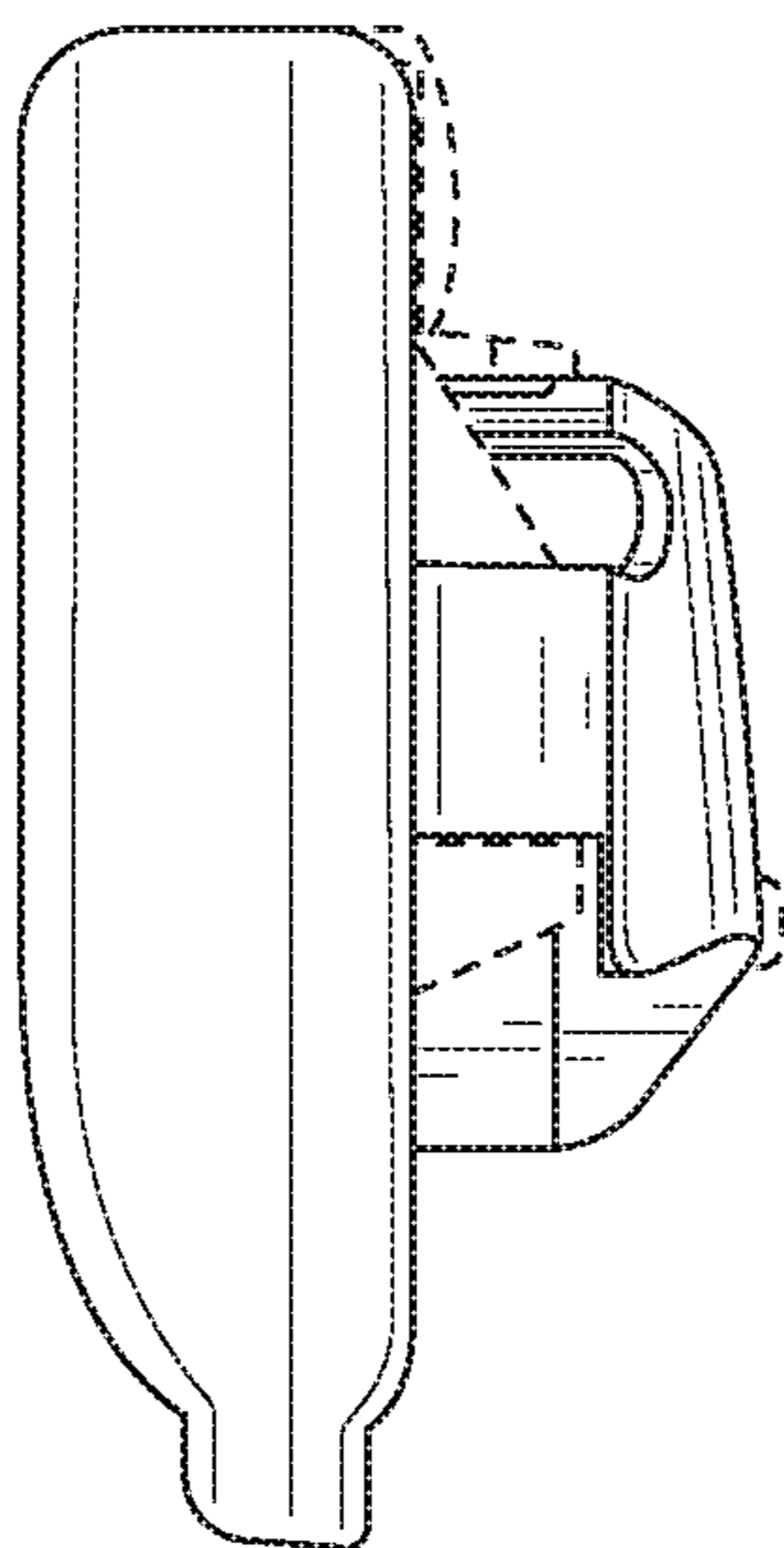


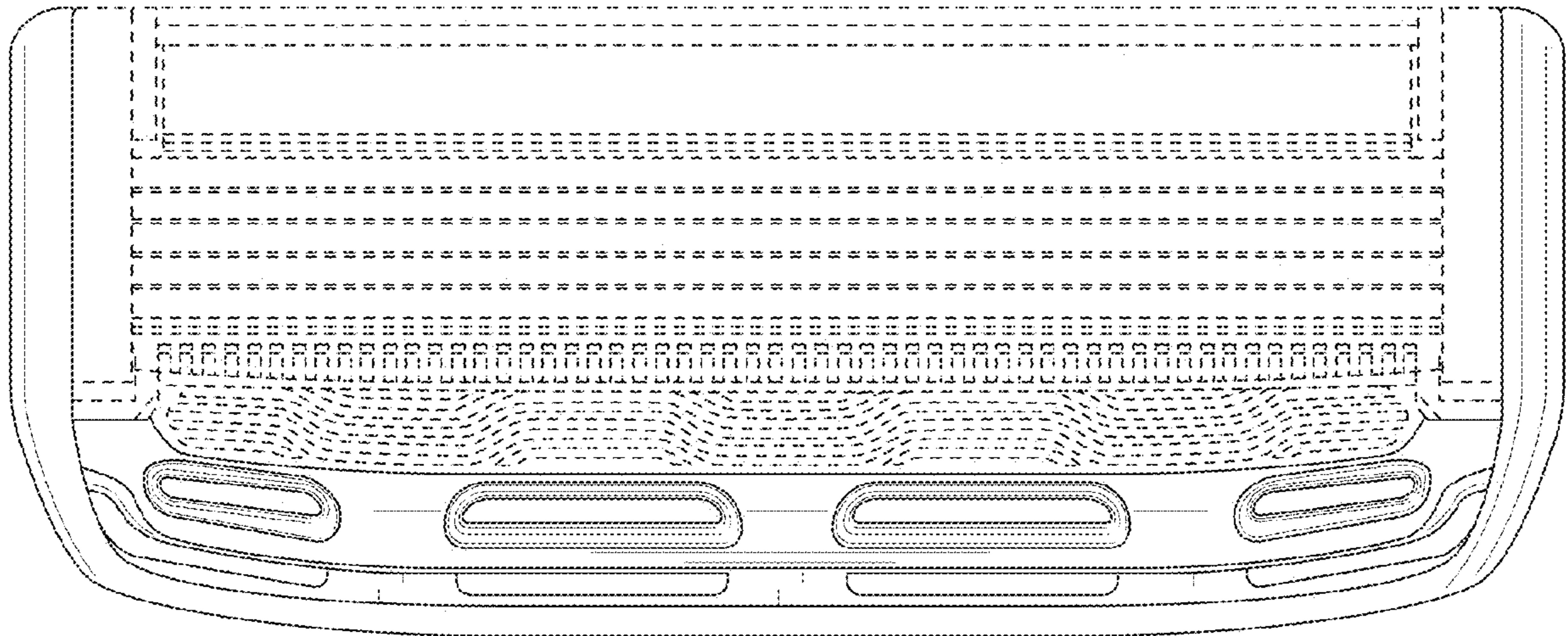
Fig. 3



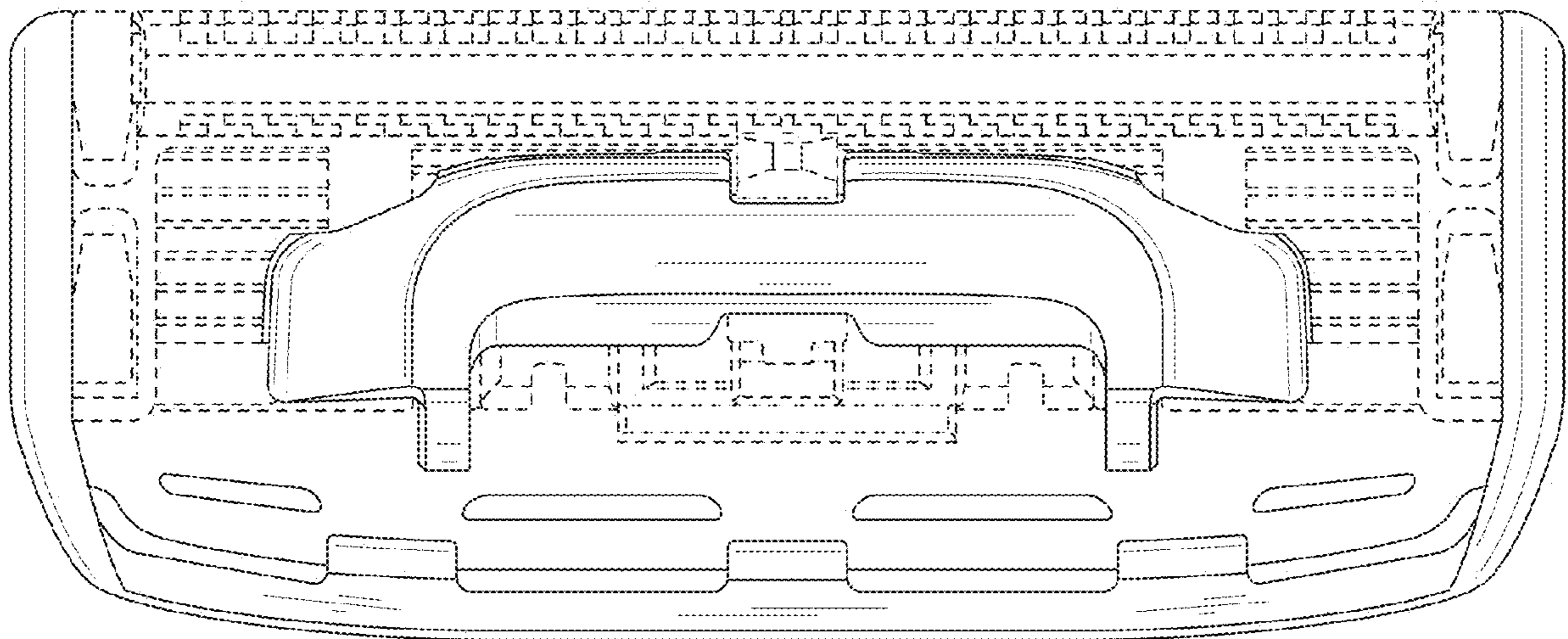
*Fig. 4*



*Fig. 5*



*Fig. 6*



*Fig. 7*

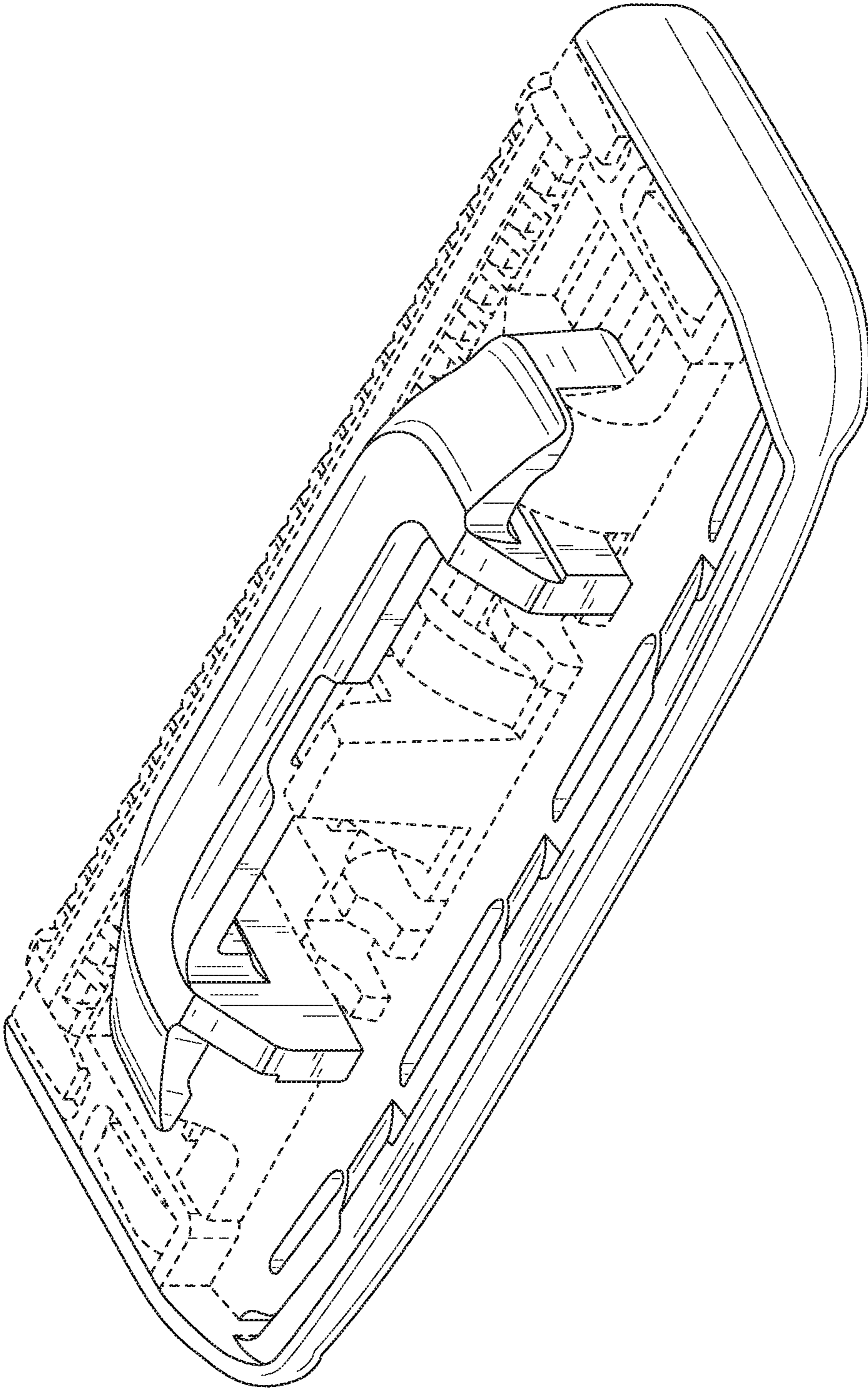


Fig. 8