



US00D888335S

(12) **United States Design Patent**  
**Zoot et al.**

(10) **Patent No.: US D888,335 S**

(45) **Date of Patent: \*\* \*Jun. 23, 2020**

- (54) **COMB WITH AN ATTACHMENT**
- (71) Applicant: **Denroy Group Limited**, Bangor (GB)
- (72) Inventors: **Ivan Zoot**, Chicago, IL (US);  
**Christopher Boomer**, Lisburn (GB)
- (73) Assignee: **Denroy Group Limited**, Bangor (GB)
- (\*) Notice: This patent is subject to a terminal disclaimer.
- (\*\*) Term: **15 Years**
- (21) Appl. No.: **29/647,061**
- (22) Filed: **May 9, 2018**
- (51) **LOC (12) Cl. .... 28-03**
- (52) **U.S. Cl.**  
USPC ..... **D28/21; D28/25**
- (58) **Field of Classification Search**  
USPC ..... D28/13, 19, 21, 22, 23, 24, 25, 27, 28,  
D28/29, 30, 31, 32, 33, 34, 44, 45, 49,  
D28/50, 51, 52, 53, 54, 63, 74; D4/101,  
D4/102, 105, 106, 109, 110, 111, 112,  
D4/117, 128, 130, 131, 132, 133, 134, 13,  
D4/136, 138  
CPC ..... A46B 2200/01; A46B 2200/1046; A46B  
2200/104; A46B 2200/1066; A46B  
2200/20; A46B 2200/30; A46B 2200/10;  
A46B 2200/1026; A46B 2200/1033;  
A46B 1/00; A46B 3/00; A46B 5/00;  
A46B 7/00; A46B 9/00; A46B 11/00;  
A46B 13/00; A46B 15/00; A46B 17/00  
See application file for complete search history.

(56) **References Cited**

**U.S. PATENT DOCUMENTS**

- 3,638,665 A \* 2/1972 Staffas, Sr. .... A45D 24/36  
132/129
- D369,435 S \* 4/1996 Bozak ..... D28/30

- D428,669 S \* 7/2000 Lucero ..... D28/25
- D472,016 S \* 3/2003 Kim ..... D28/25
- D565,793 S \* 4/2008 Wallace ..... D28/54
- D601,751 S \* 10/2009 Day ..... D28/21
- D643,575 S \* 8/2011 Peverini ..... D28/30
- D791,410 S \* 7/2017 Whittaker ..... D28/54
- D794,249 S \* 8/2017 Hou ..... D28/24
- D821,030 S \* 6/2018 Paul ..... D28/25
- D823,003 S \* 7/2018 Lafortune ..... D4/117
- D845,542 S \* 4/2019 Granito ..... D28/25
- D850,719 S \* 6/2019 Torres ..... D28/25
- 2009/0032043 A1\* 2/2009 Gaugler ..... A45D 24/10  
132/148

\* cited by examiner

*Primary Examiner* — Michelle E. Wilson

*Assistant Examiner* — Messina L Smith

(74) *Attorney, Agent, or Firm* — Caseiro Burke LLC;  
Chris A. Caseiro

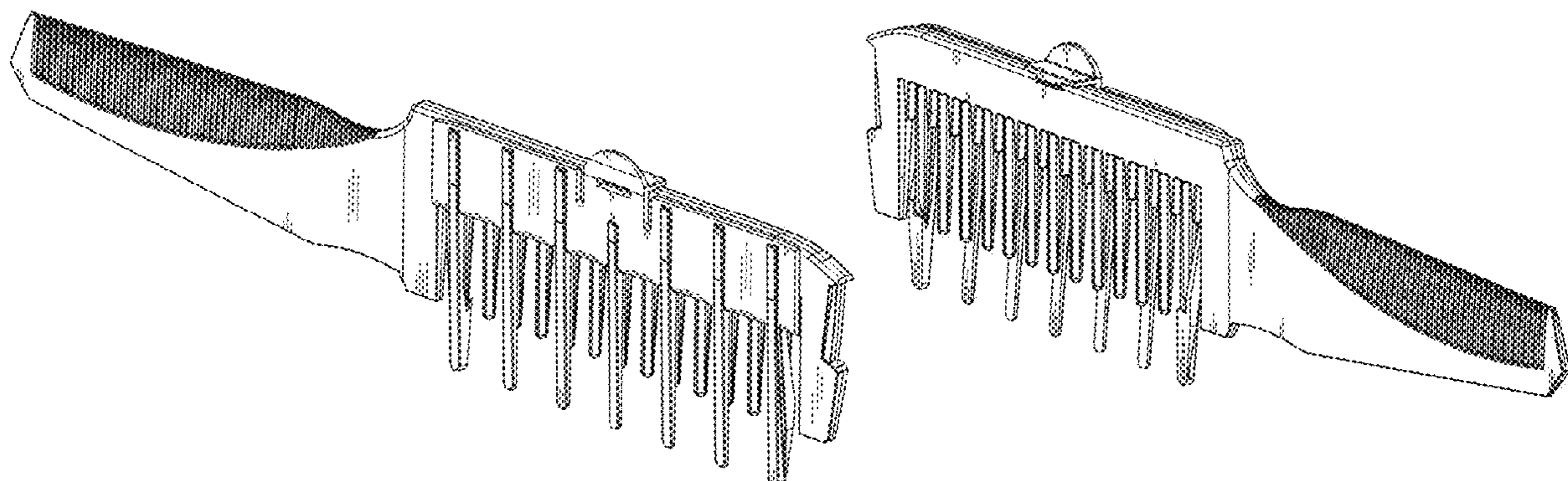
(57) **CLAIM**

The ornamental design for a comb with an attachment, as shown and described.

**DESCRIPTION**

FIG. 1 is a perspective view of a comb with an attachment showing our new design;  
 FIG. 2 is another perspective view thereof;  
 FIG. 3 is a front view thereof;  
 FIG. 4 is a back view thereof;  
 FIG. 5 is a top view thereof;  
 FIG. 6 is a bottom view thereof;  
 FIG. 7 is a left side view thereof; and,  
 FIG. 8 is a right side view thereof.

**1 Claim, 8 Drawing Sheets**



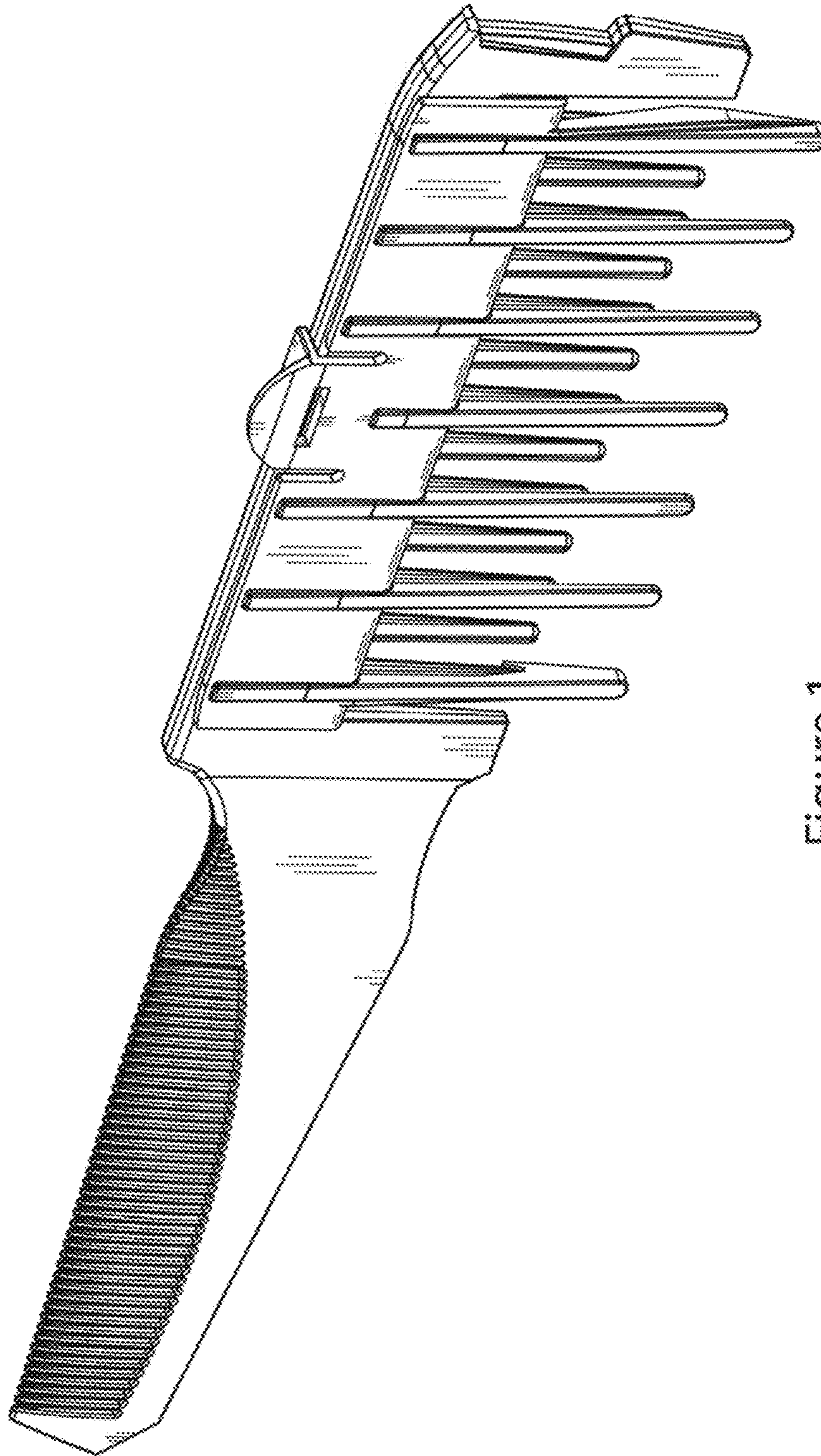


Figure 1

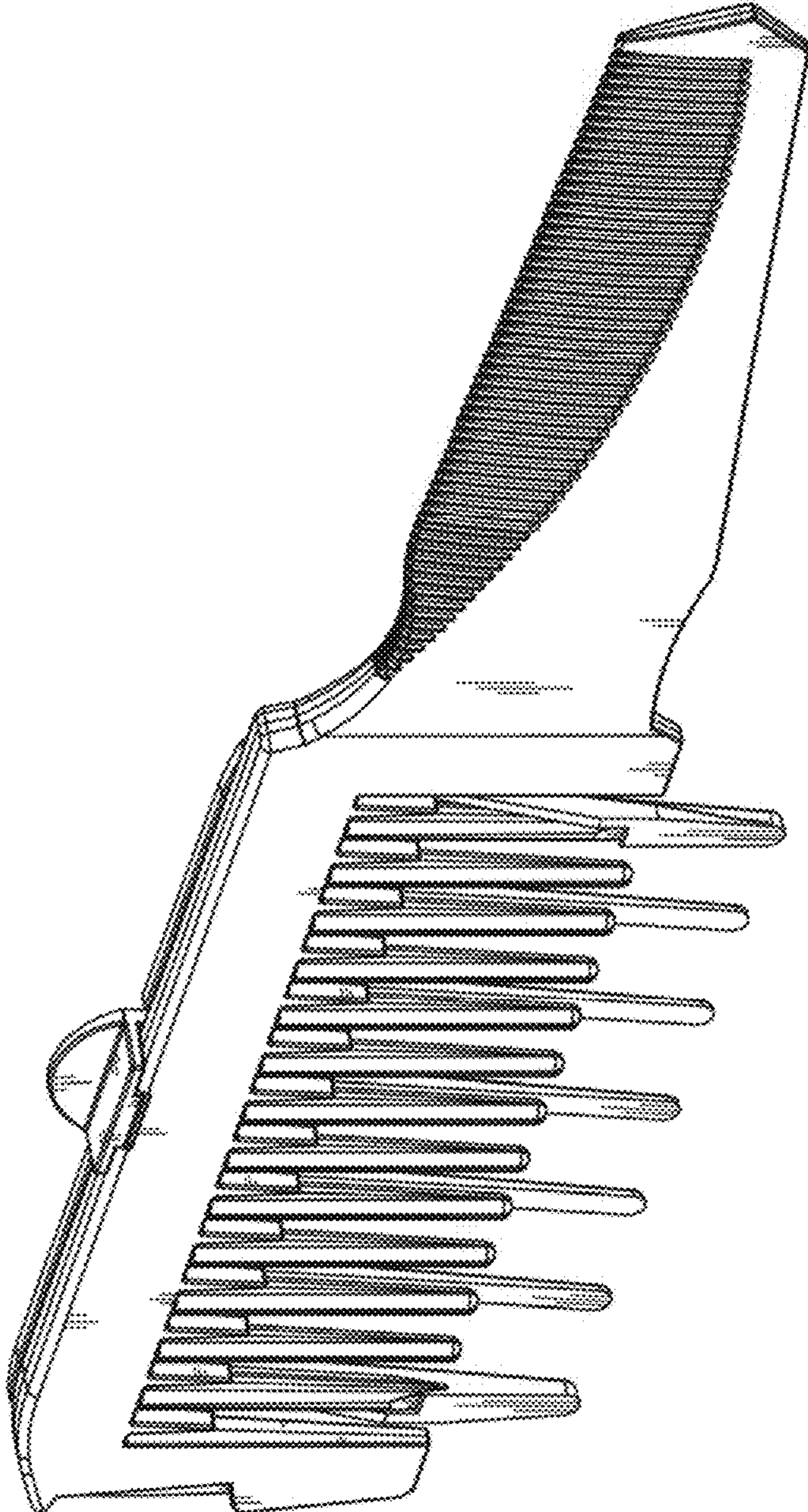


Figure 2

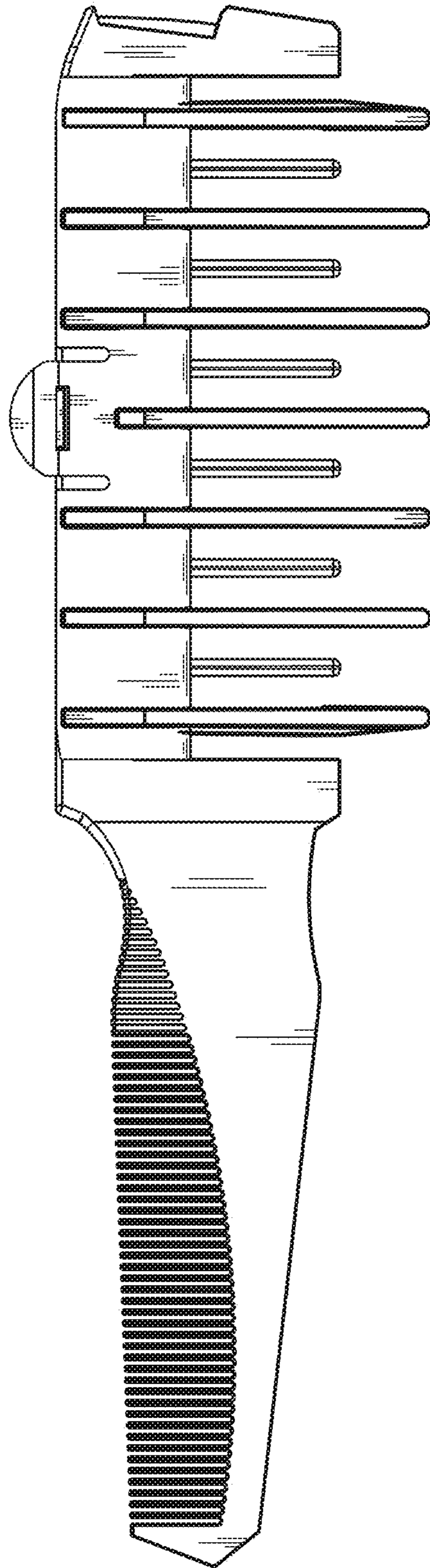


Figure 3

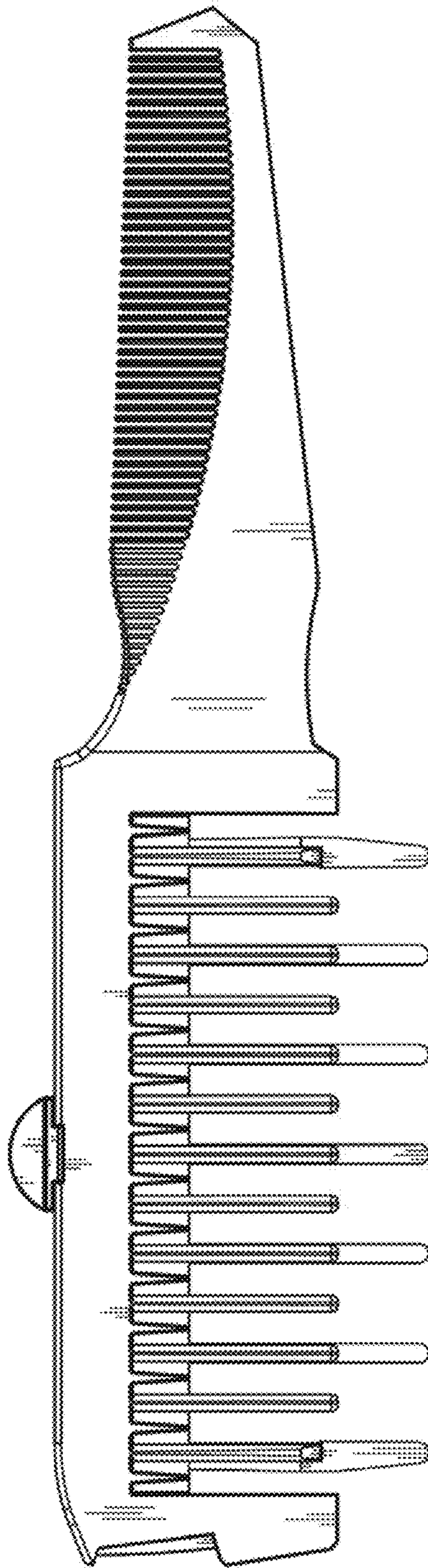


Figure 4

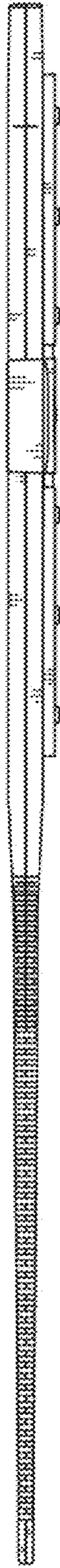


Figure 5

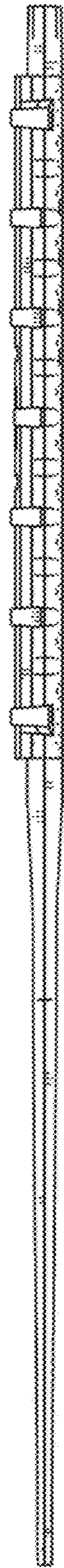


Figure 6

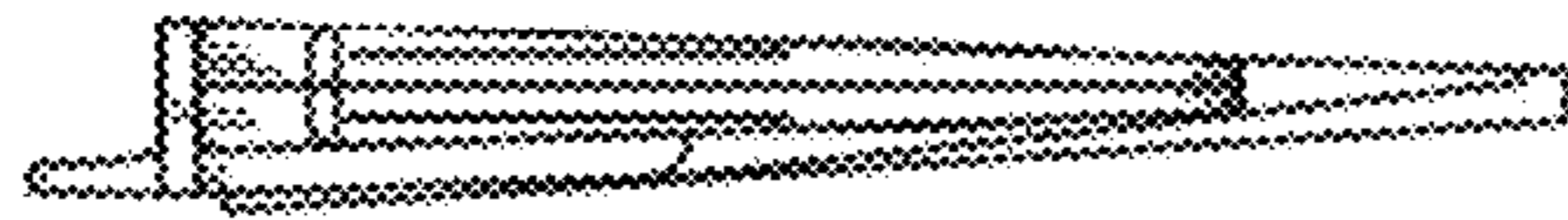


Figure 7



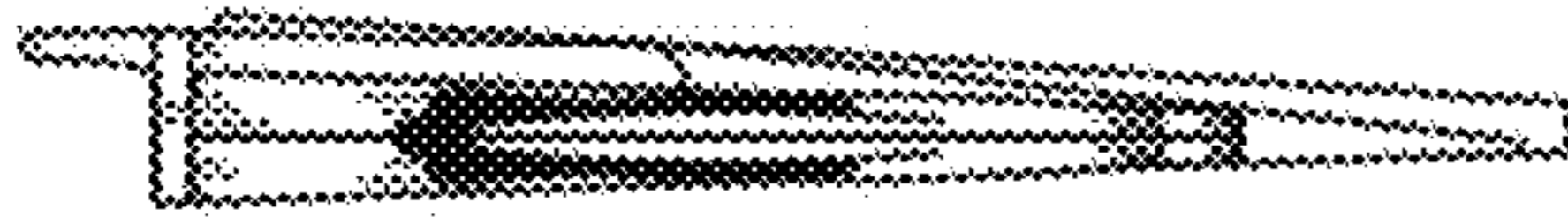


Figure 8