



US00D888334S

(12) **United States Design Patent**  
**Williams**

(10) **Patent No.:** **US D888,334 S**  
(45) **Date of Patent:** **\*\* Jun. 23, 2020**

(54) **ATTACHMENT FOR A PROFESSIONAL HAIRDRYER**

(71) Applicant: **Peggy A. Williams**, San Jose, CA (US)

(72) Inventor: **Peggy A. Williams**, San Jose, CA (US)

(\*\*) Term: **15 Years**

(21) Appl. No.: **29/677,890**

(22) Filed: **Jan. 24, 2019**

(51) **LOC (12) Cl.** ..... **28-03**

(52) **U.S. Cl.**  
USPC ..... **D28/18**

(58) **Field of Classification Search**  
USPC ..... D28/12-19  
CPC ..... A45D 20/12; A45D 20/00  
See application file for complete search history.

(56) **References Cited**

U.S. PATENT DOCUMENTS

D697,667 S *	1/2014	Yoe	.....	D28/13
8,893,400 B2 *	11/2014	Carme	.....	A45D 20/42
				34/97
D773,118 S *	11/2016	Soresina	.....	D28/13
D782,734 S *	3/2017	Sutter	.....	D28/18
D788,978 S *	6/2017	Kim	.....	D28/13
D833,069 S *	11/2018	Broides	.....	D28/18

(Continued)

*Primary Examiner* — Zenia I Bennett

(74) *Attorney, Agent, or Firm* — Michael J. Foycik, Jr.

(57) **CLAIM**

The ornamental design for an attachment for a professional hairdryer, as shown and described.

**DESCRIPTION**

FIG. 1 is a perspective view of an attachment for a professional hairdryer, showing my new design, as seen from above and in front;

FIG. 2 is a perspective view as seen from below and in front thereof;

FIG. 3 is a right elevational view thereof;

FIG. 4 is a perspective view of the attachment for a professional hairdryer of FIG. 1 by itself;

FIG. 5 is a perspective view similar to FIG. 4, showing two separated elements as an exploded view, the two elements forming the attachment for a professional hairdryer;

FIG. 6 is a rear perspective view of the attachment for a professional hairdryer of FIG. 4;

FIG. 7 is a perspective view as seen from the rear, similar to FIG. 5, showing the two separated elements as an exploded view, the two elements forming the attachment for a professional hairdryer;

FIG. 8 is a front elevational view of the attachment for a professional hairdryer of FIG. 4;

FIG. 9 is a front elevational view of the two elements of FIG. 5;

FIG. 10 is a rear elevational view of the attachment for a professional hairdryer of FIGS. 4 and 8;

FIG. 11 is a rear elevational view of the two elements of FIGS. 5 and 9;

FIG. 12 is a top elevational view of the attachment for a professional hairdryer of FIGS. 4 and 8; a bottom elevational view of FIG. 12 being a mirror image of the top elevational view of FIG. 12;

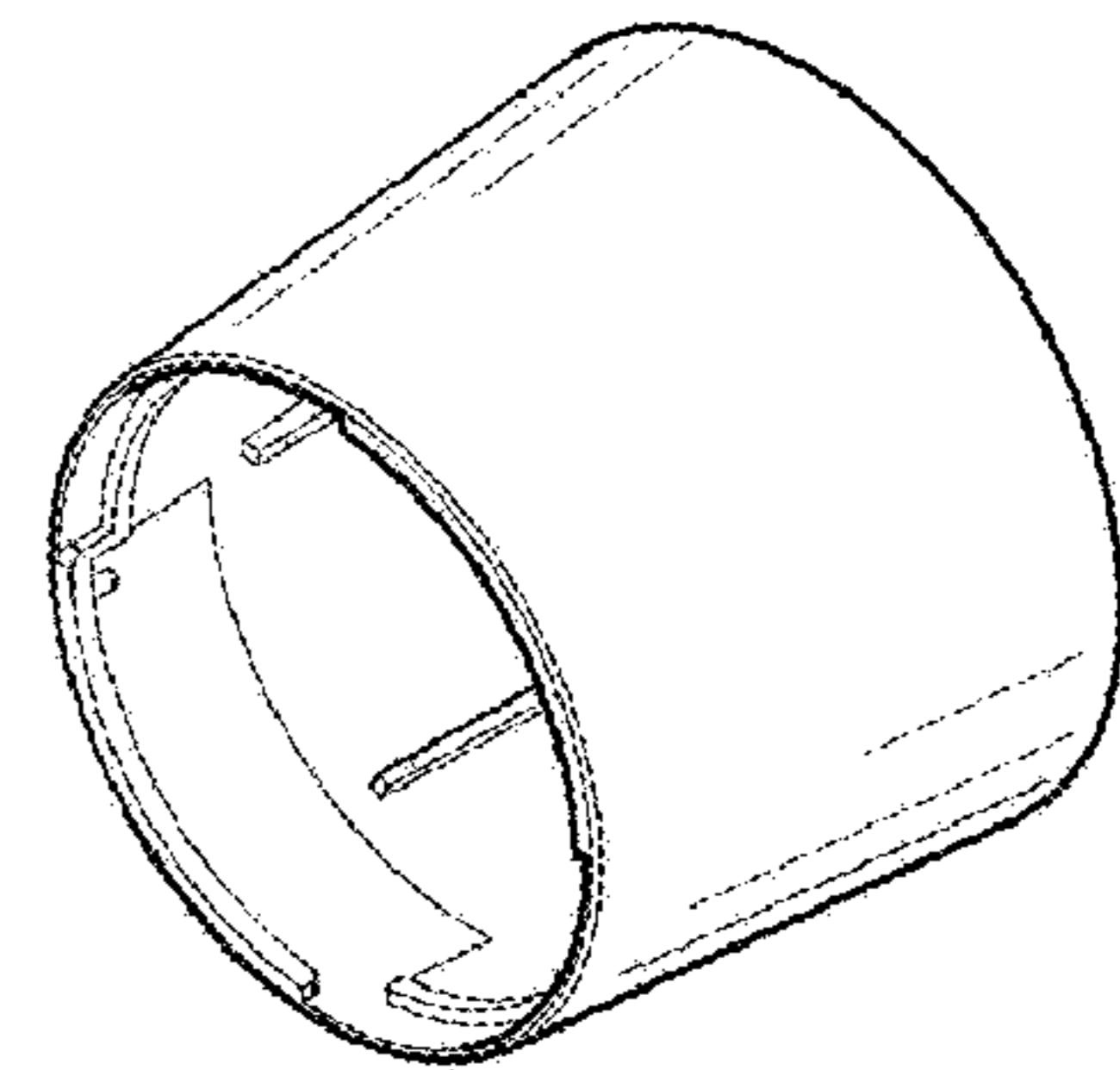
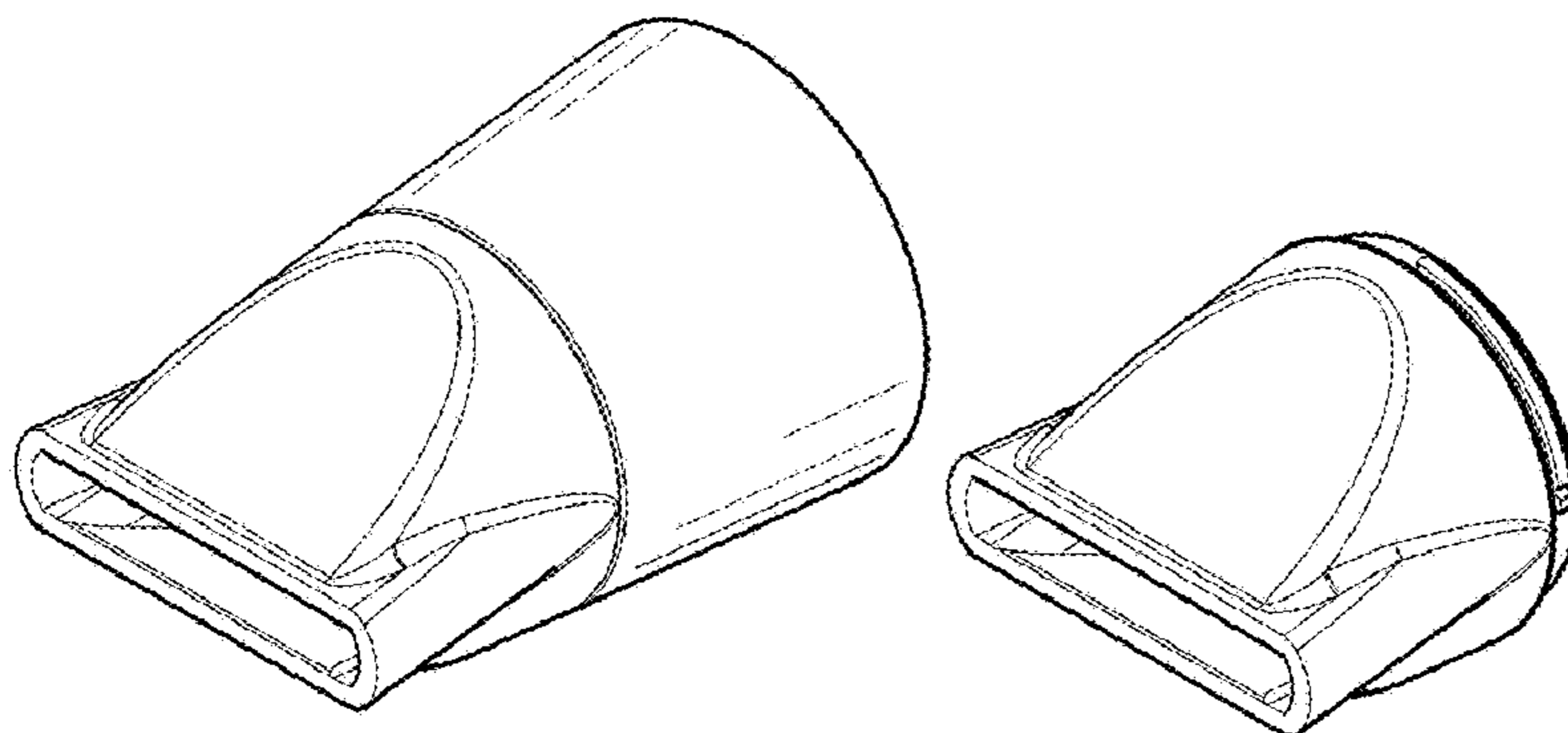
FIG. 13 is a top elevational view of the two elements of FIGS. 5 and 9;

FIG. 14 is a right elevational view of the attachment for a professional hairdryer of FIGS. 3 and 4; a left elevational view of FIG. 14 being a mirror image of the right elevational view of FIG. 14; and,

FIG. 15 is a right elevational view of the two elements of FIGS. 5 and 9; a left elevational view of FIG. 15 being a mirror image of the right elevational view of FIG. 15.

The broken line showing of a hairdryer handle, switch, and motor portion is included for the purpose of illustrating environmental structure and forms no part of the claimed design.

**1 Claim, 9 Drawing Sheets**



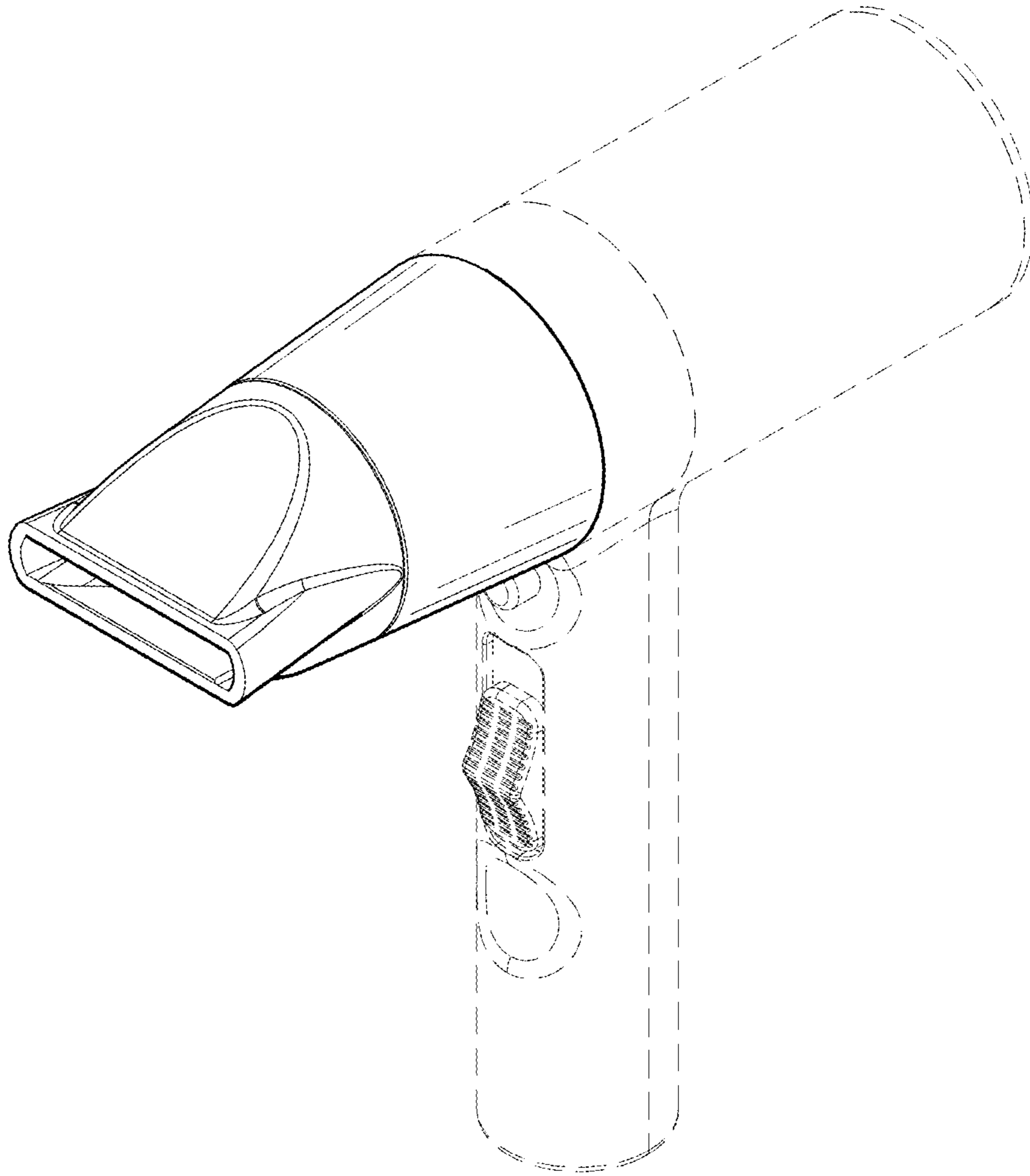
(56)

**References Cited**

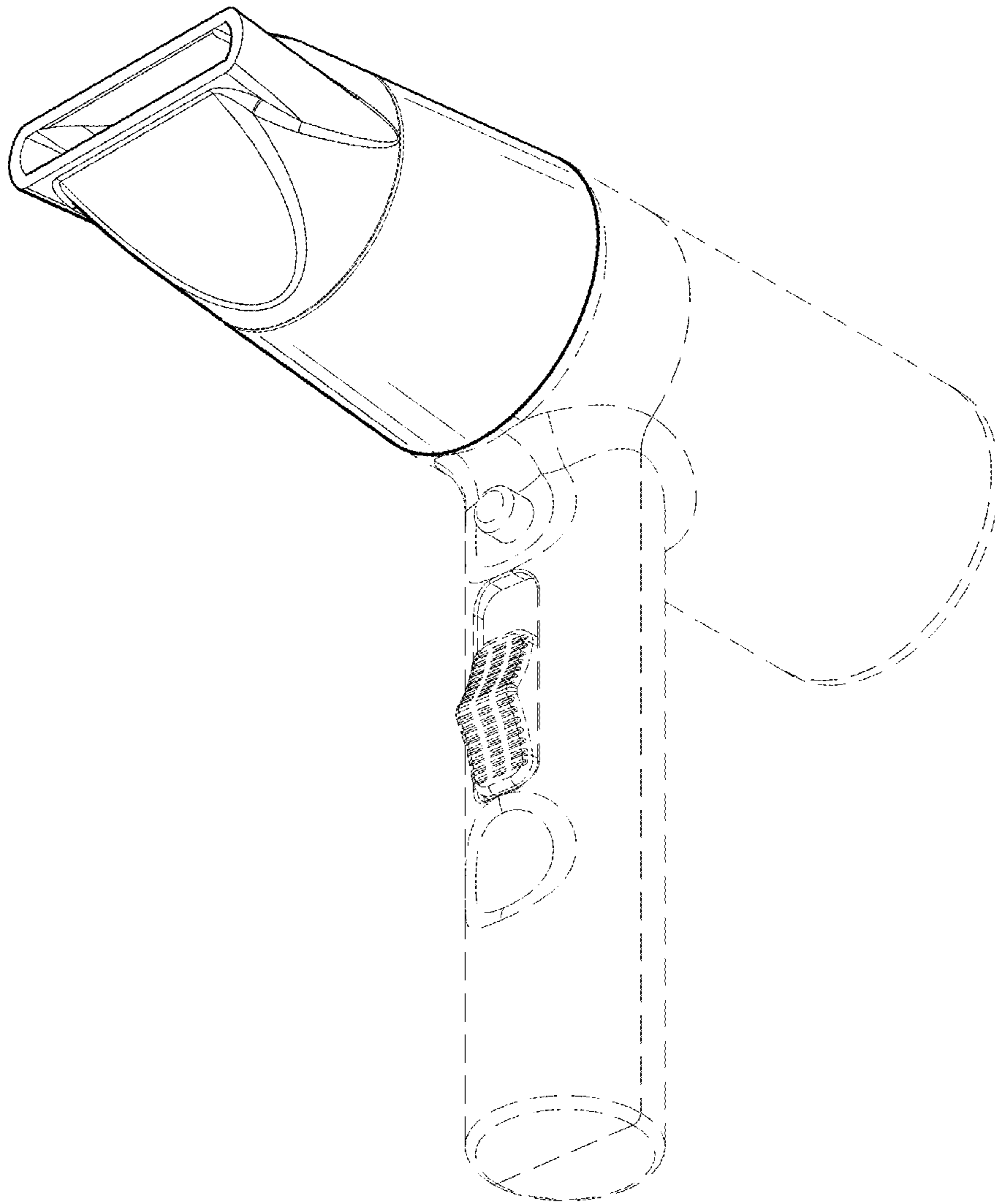
U.S. PATENT DOCUMENTS

D849,320 S \* 5/2019 Park ..... D28/13  
D872,935 S \* 1/2020 Kang ..... D28/18

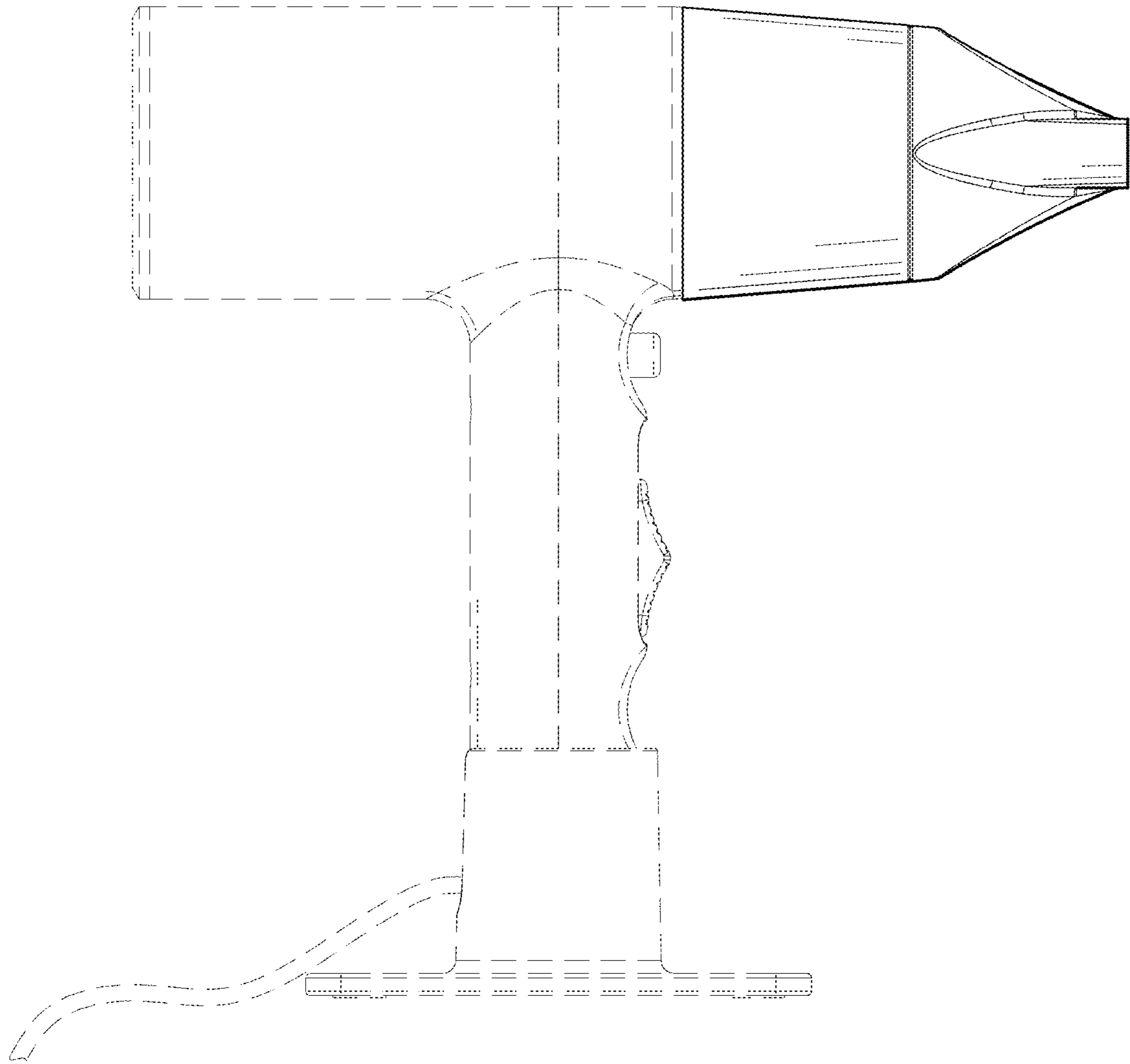
\* cited by examiner



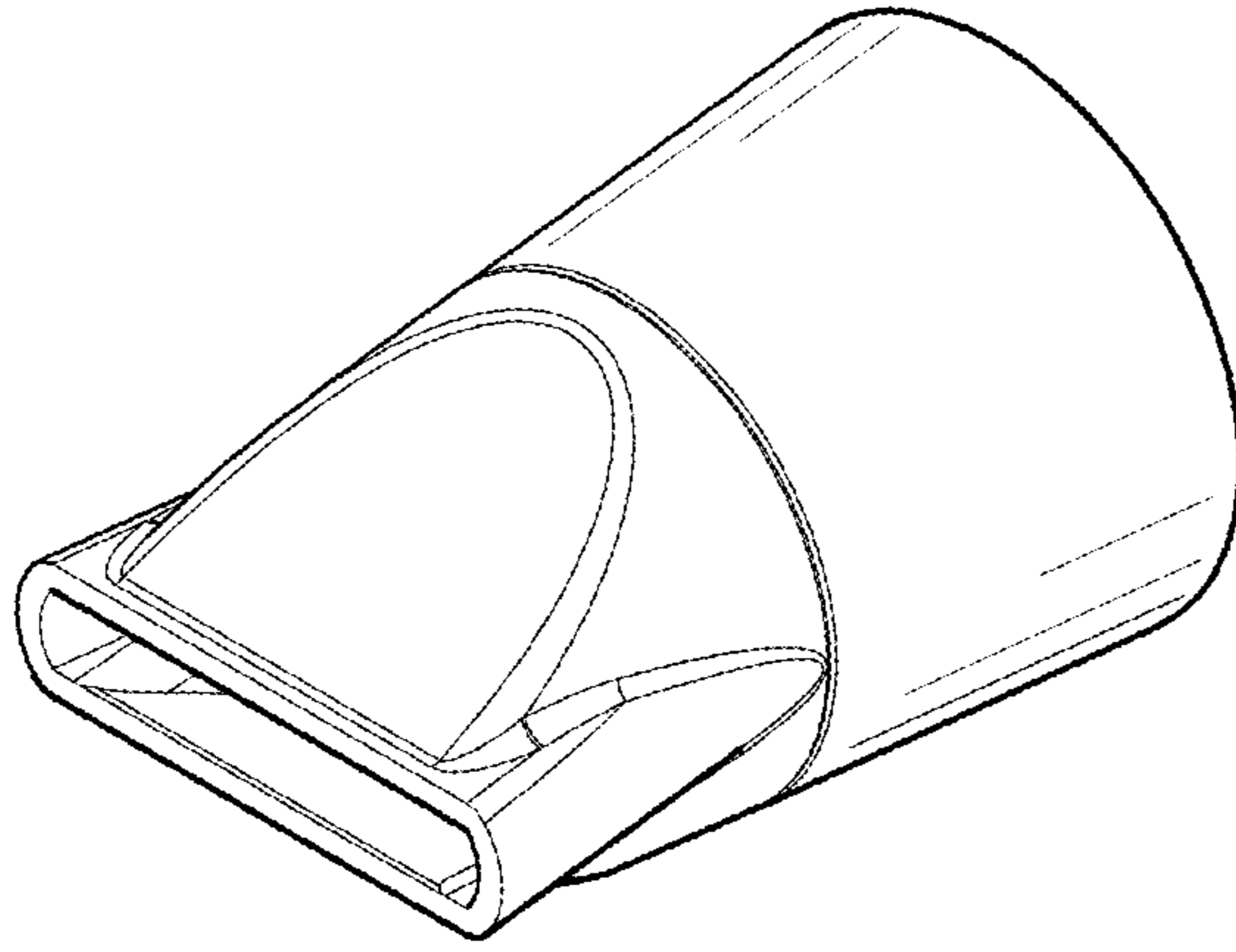
***FIG. 1***



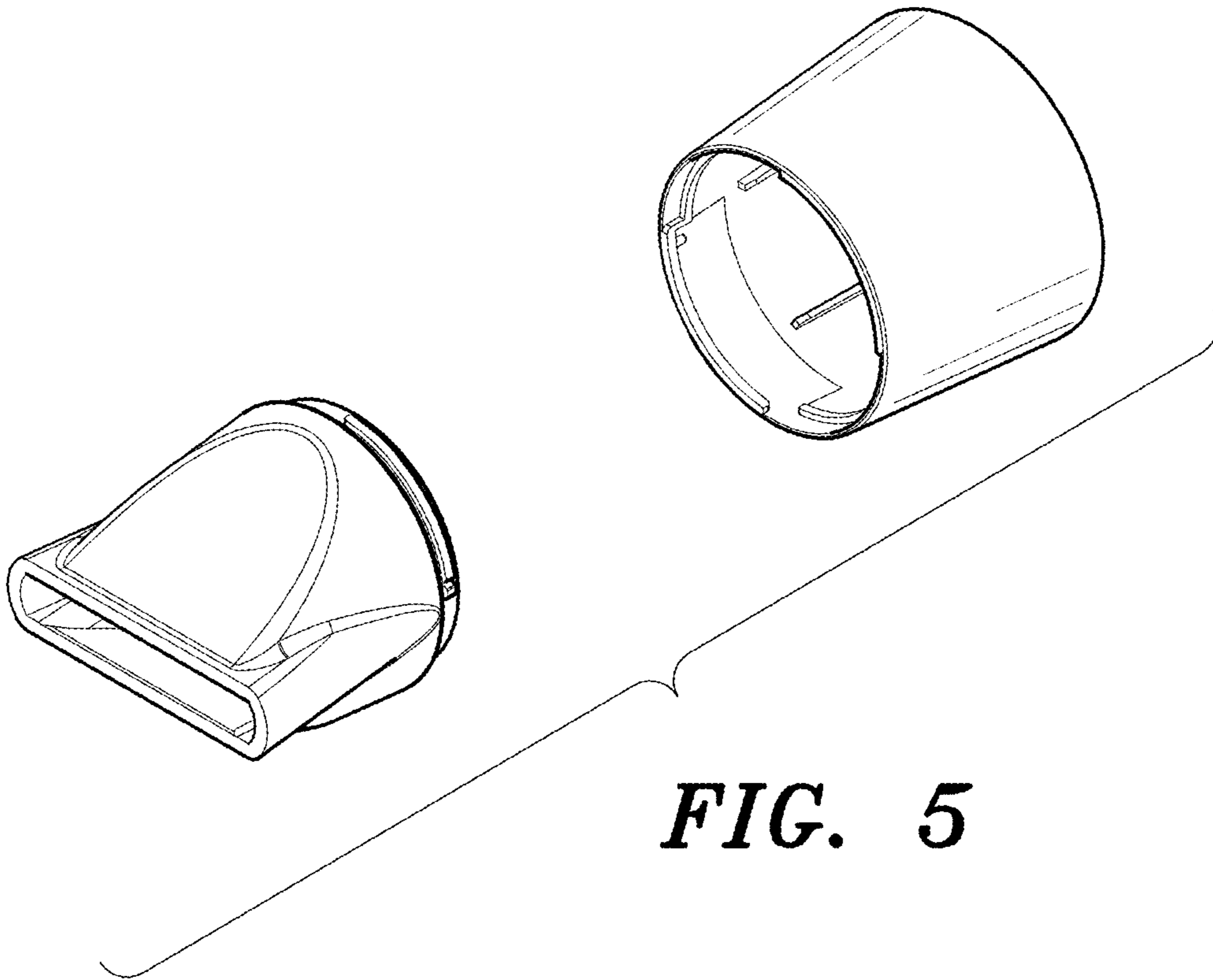
**FIG. 2**



**FIG. 3**

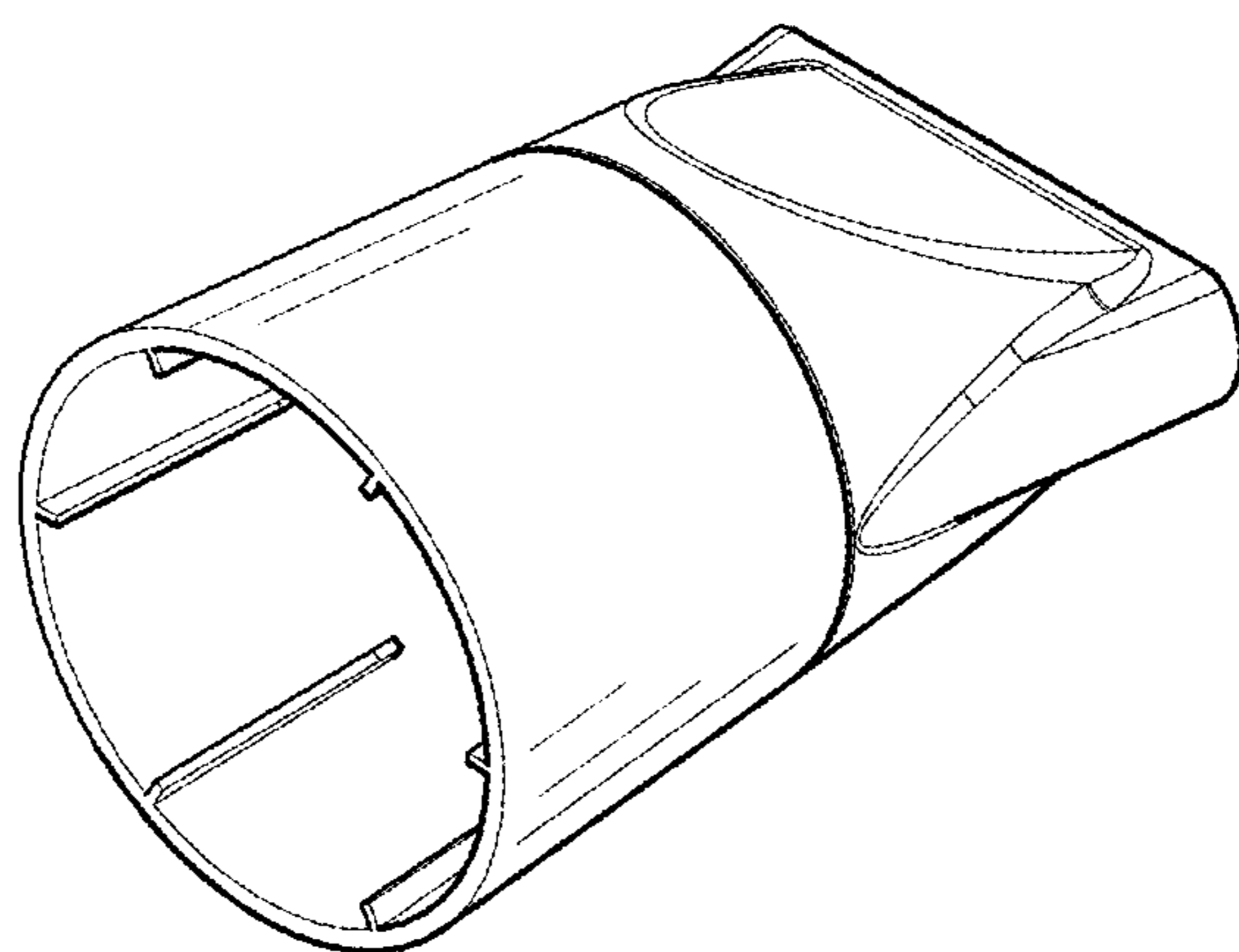


**FIG. 4**

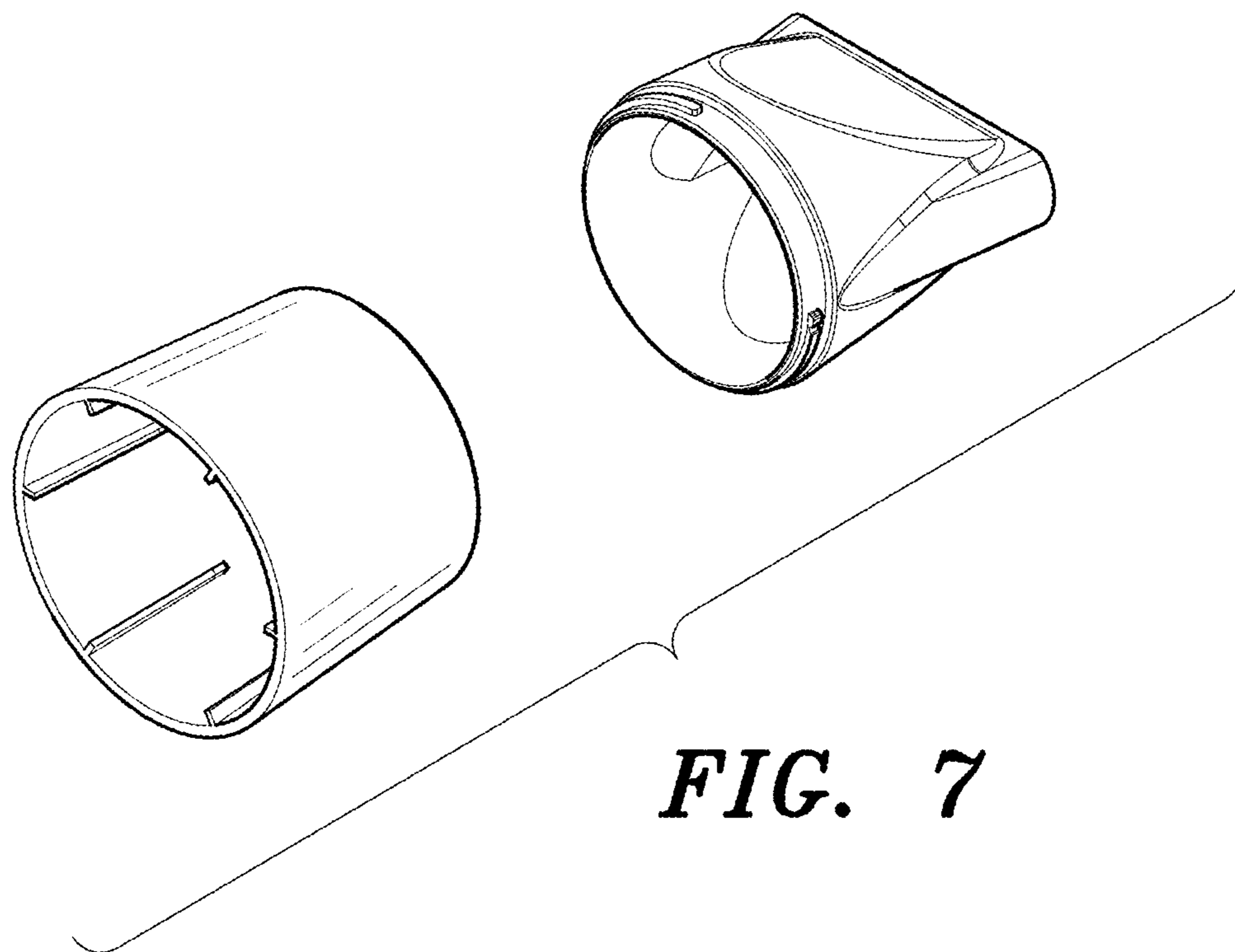


**FIG. 5**

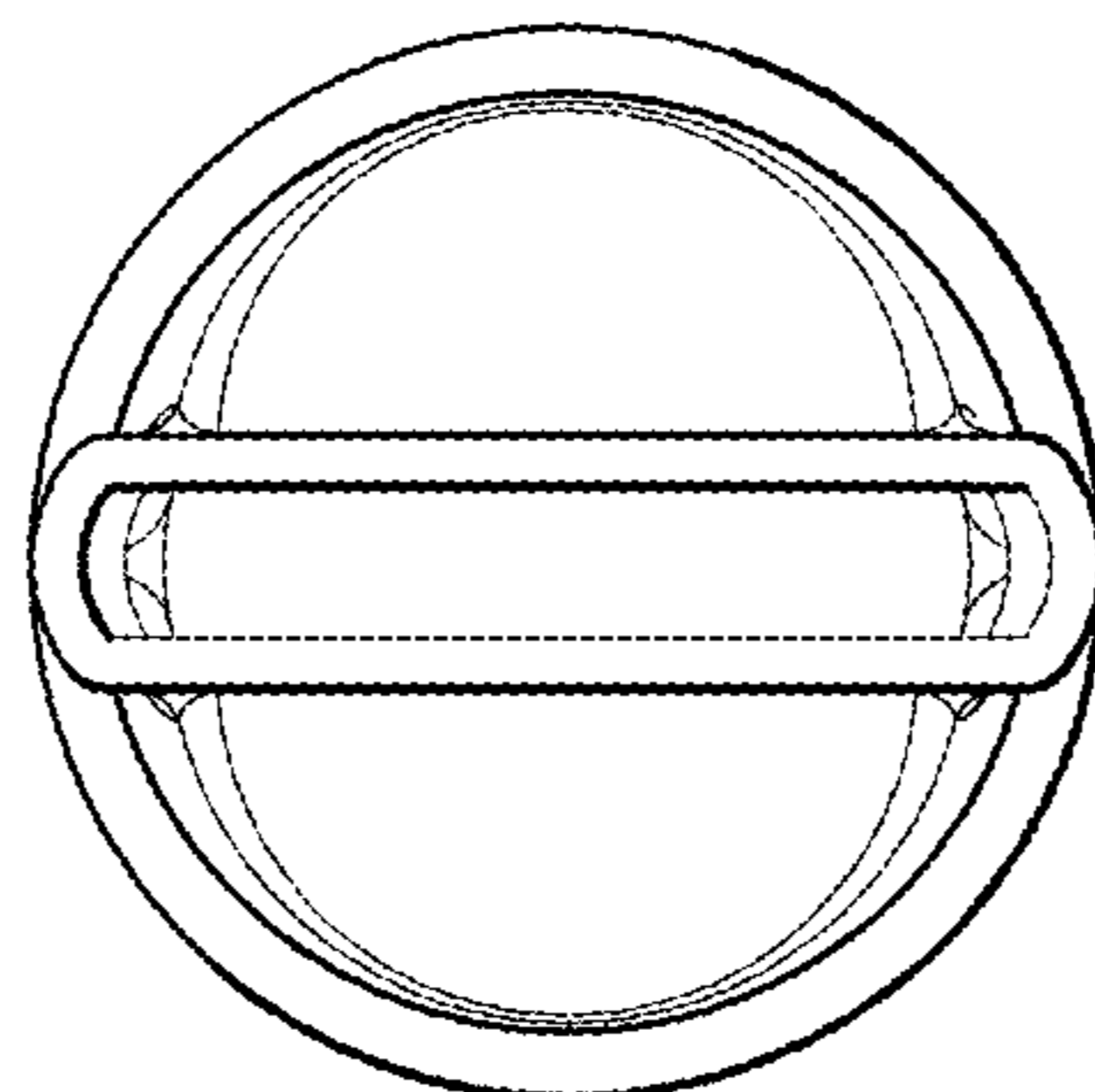




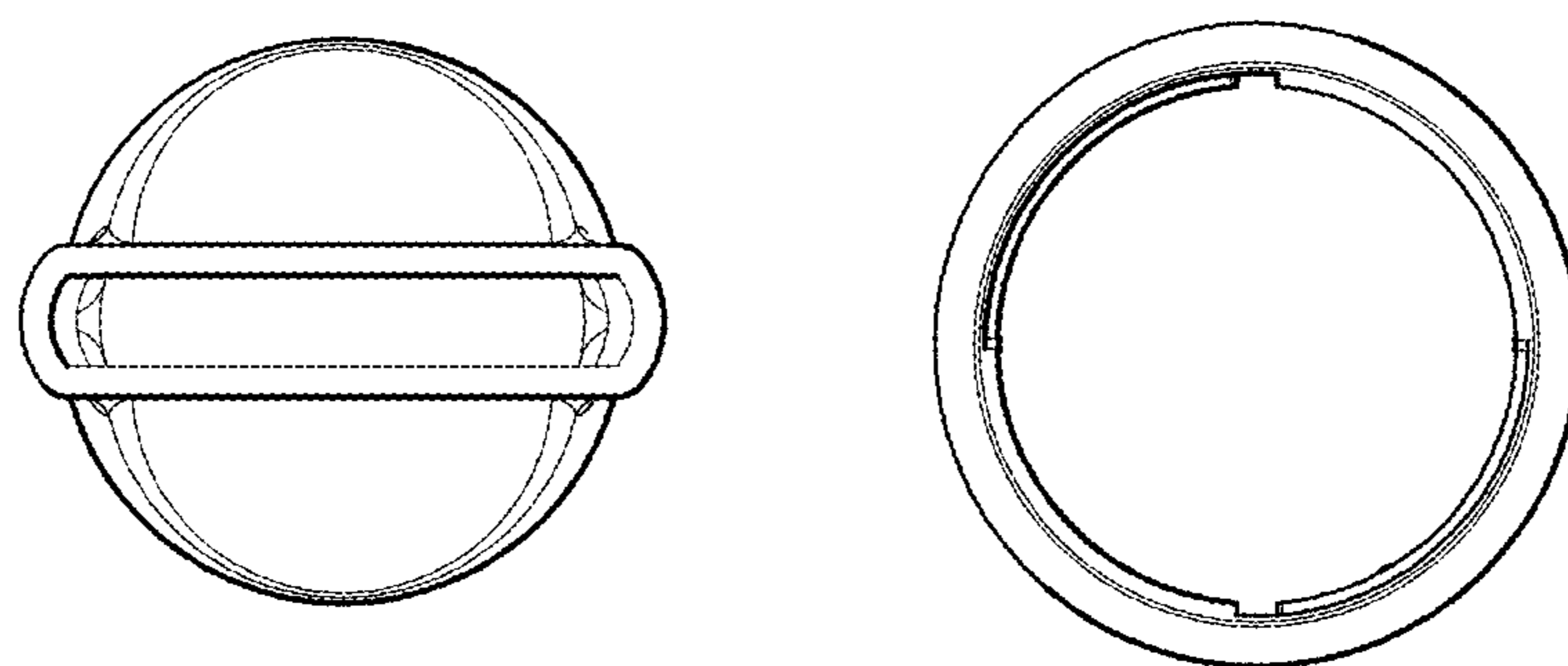
**FIG. 6**



**FIG. 7**

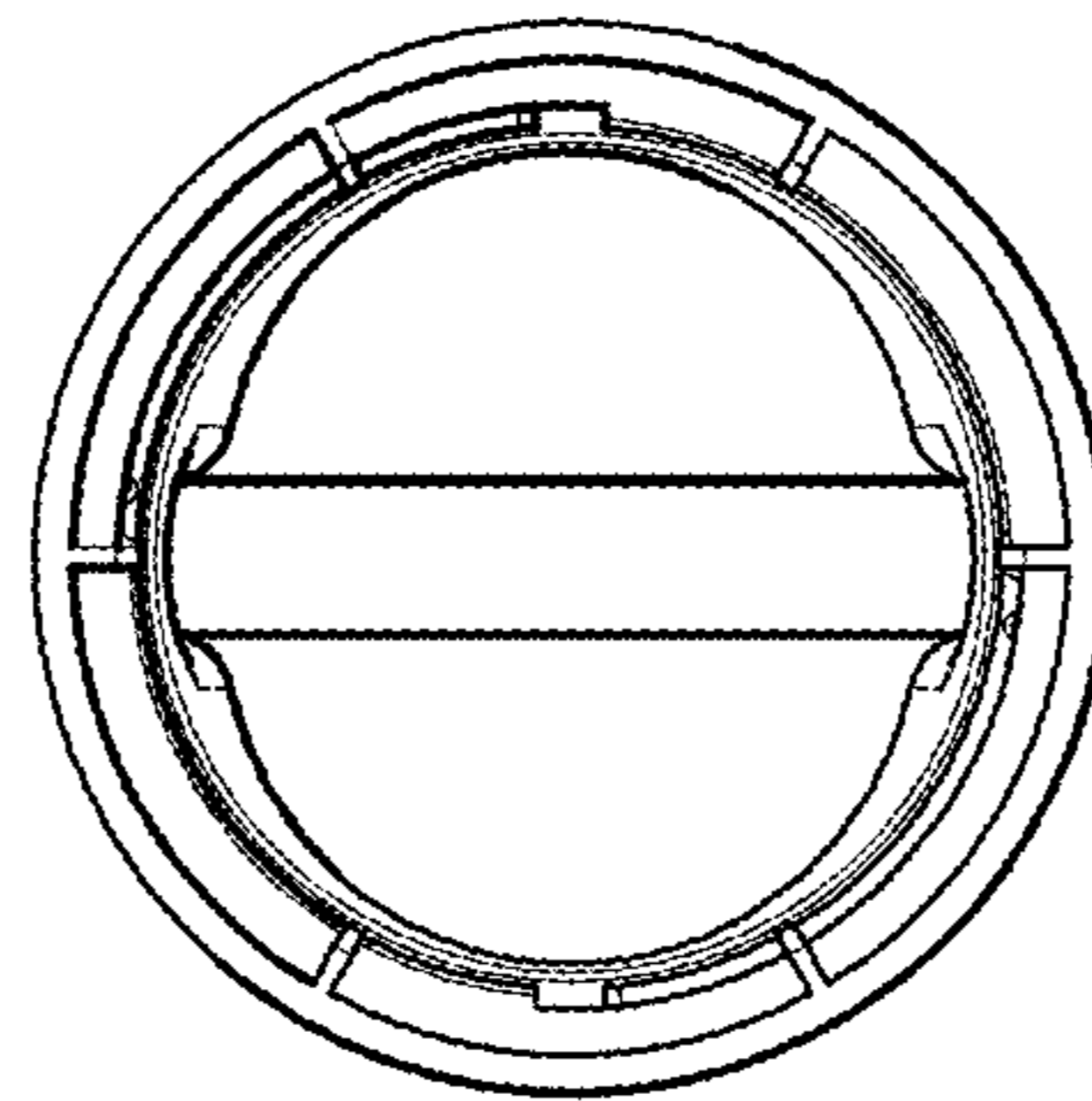


***FIG. 8***

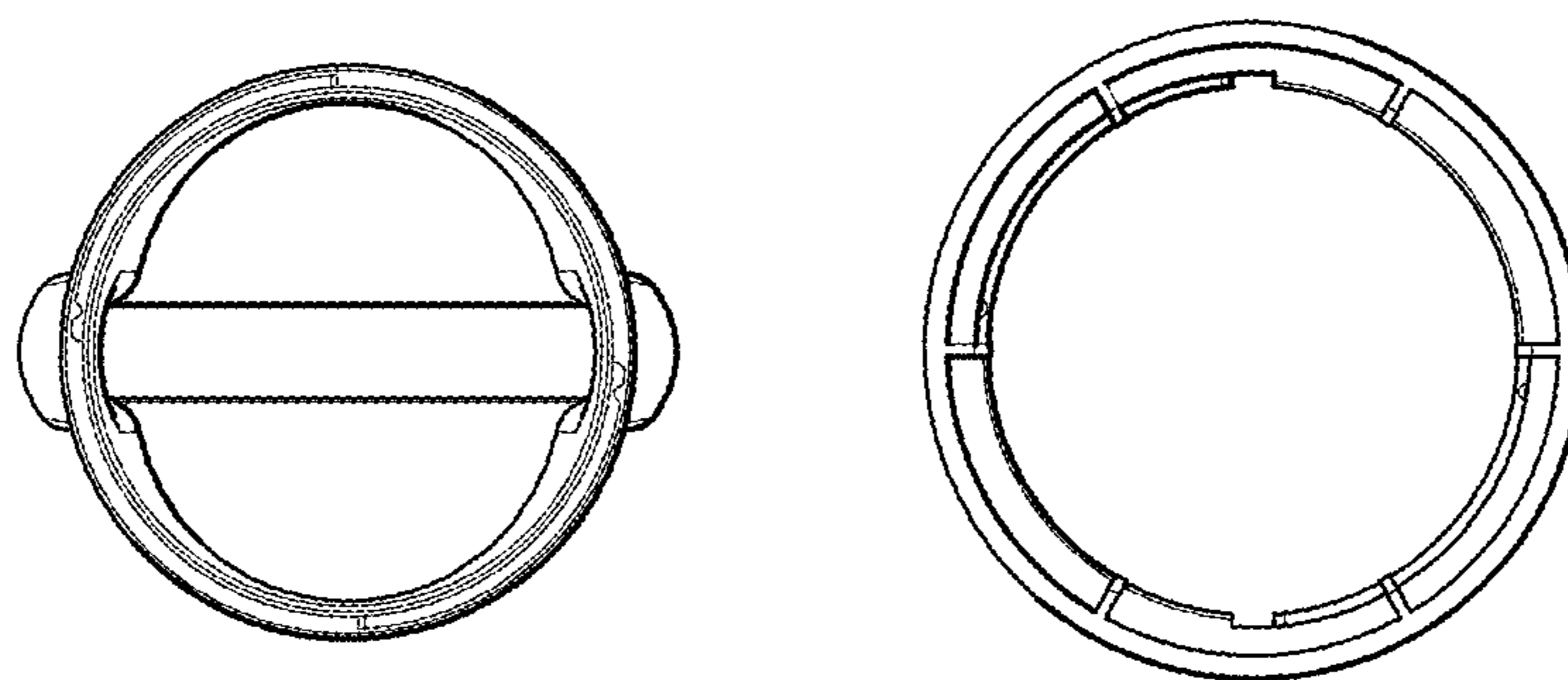


***FIG. 9***

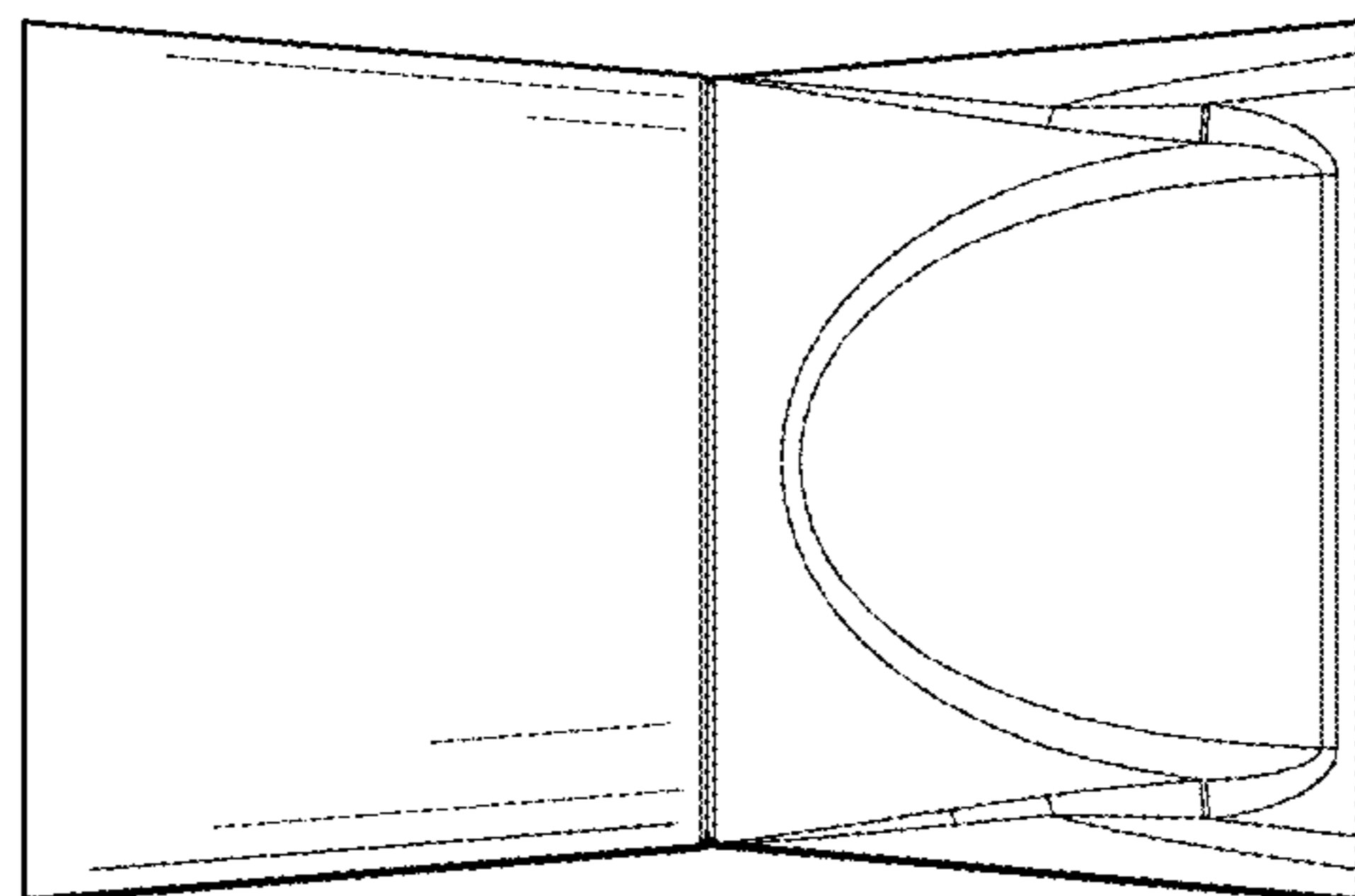




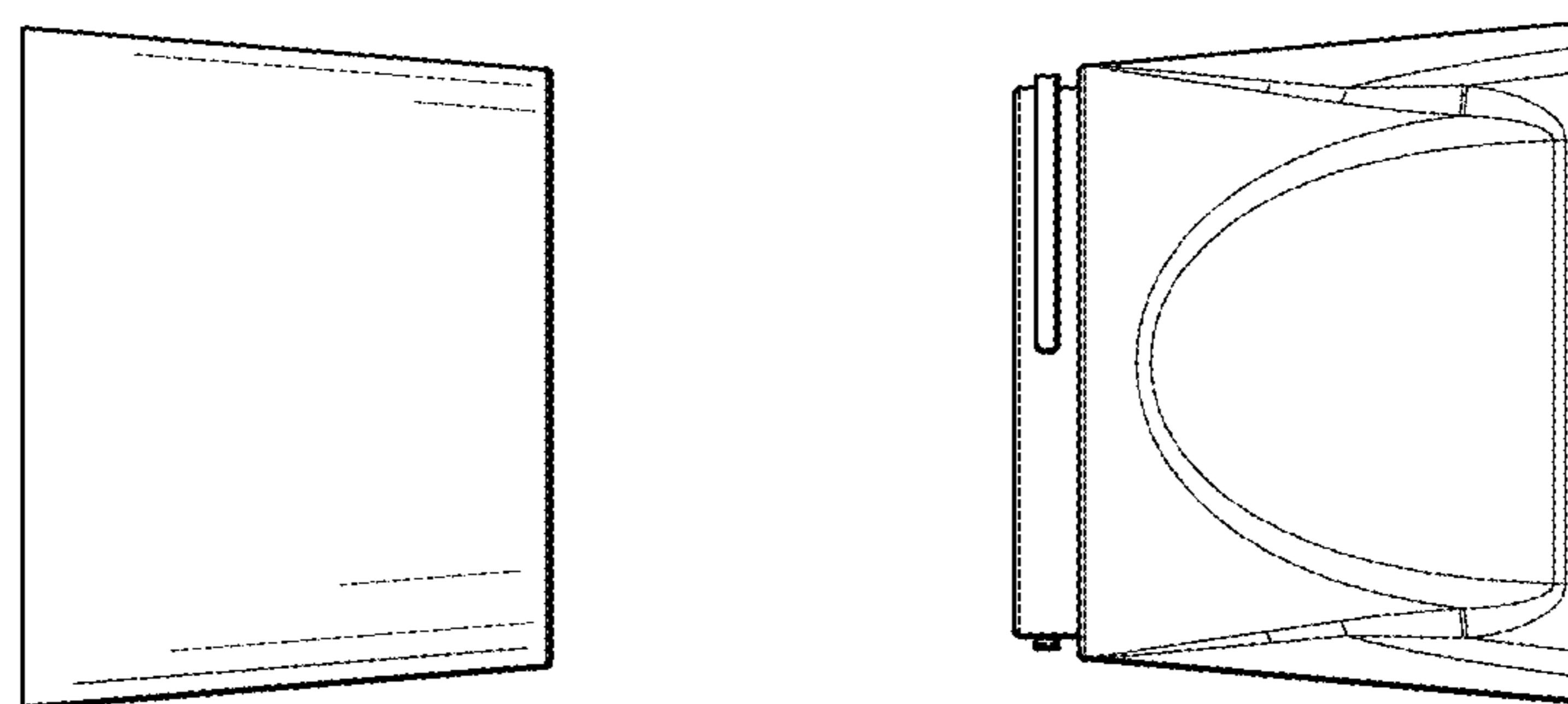
***FIG. 10***



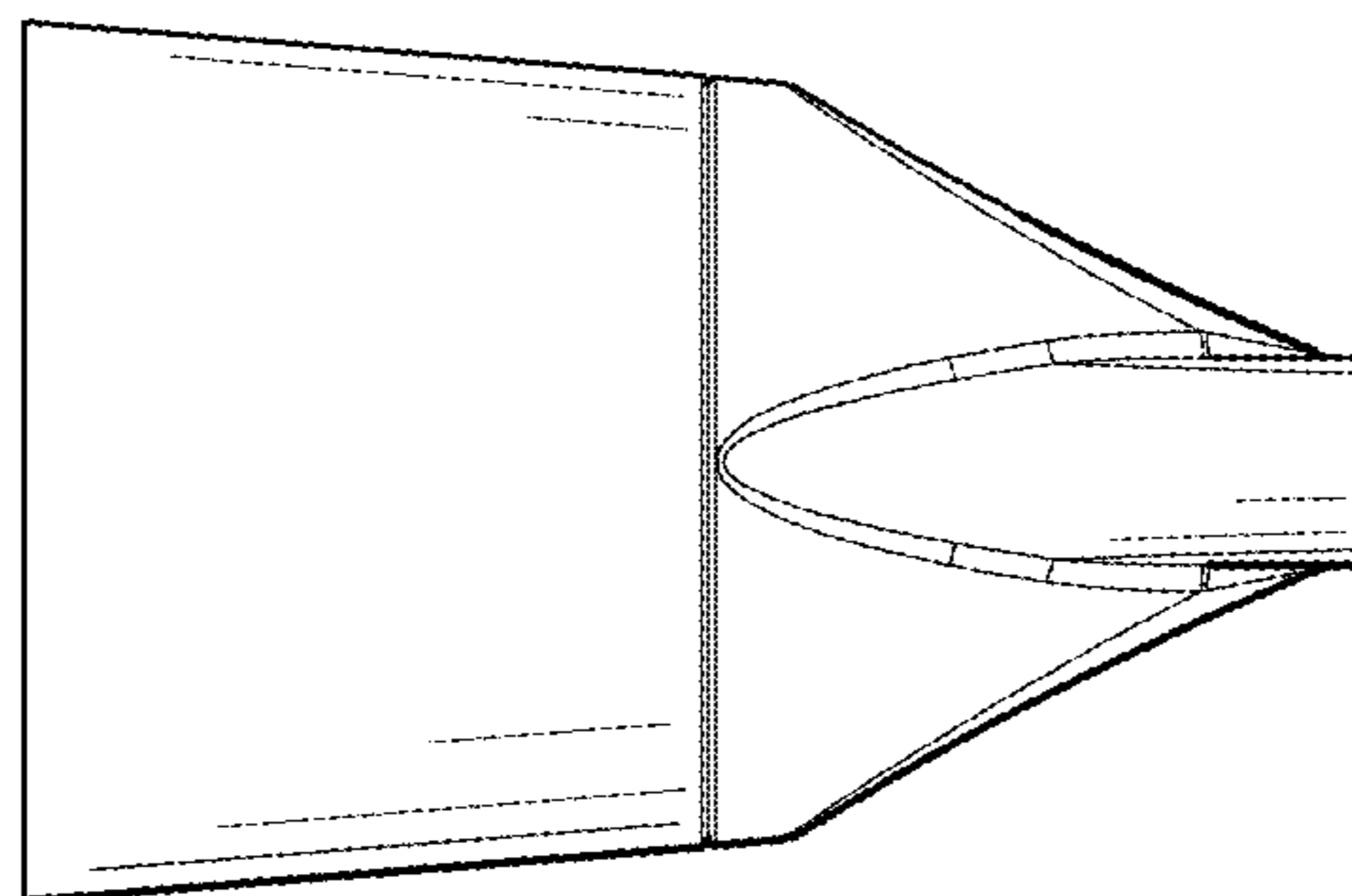
***FIG. 11***



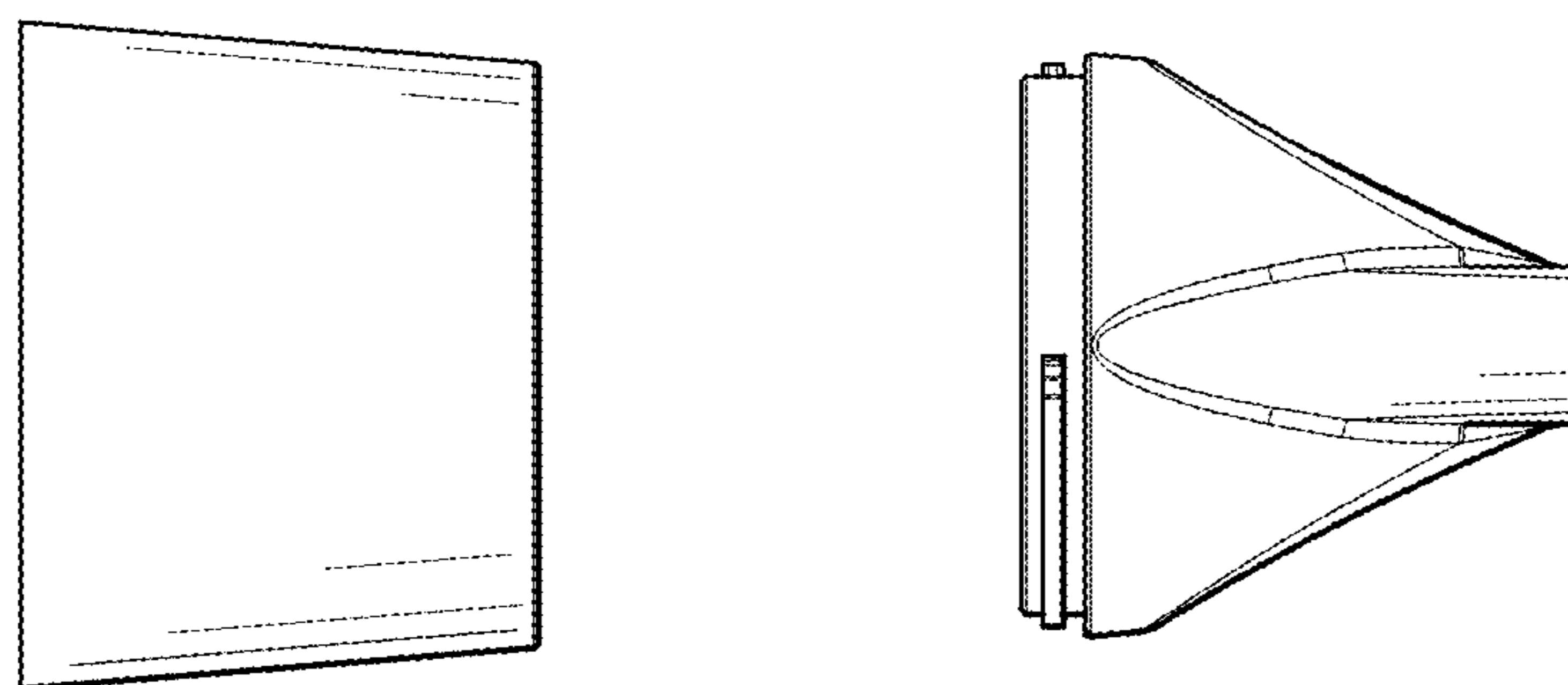
*FIG. 12*



*FIG. 13*



*FIG. 14*



*FIG. 15*