



US00D888333S

(12) **United States Design Patent**
Shigeru

(10) **Patent No.:** **US D888,333 S**

(45) **Date of Patent:** **** Jun. 23, 2020**

(54) **HAIR DRIER**

(71) Applicant: **Yoshiro Yamamoto**, Tokyo (JP)

(72) Inventor: **Yoshida Shigeru**, Tokyo (JP)

(73) Assignee: **Yoshiro Yamamoto**, Tokyo (JP)

(**) Term: **15 Years**

(21) Appl. No.: **29/680,415**

(22) Filed: **Feb. 15, 2019**

(30) **Foreign Application Priority Data**

Feb. 4, 2019 (JP) 2019-002190

(51) **LOC (12) Cl.** **28-03**

(52) **U.S. Cl.**
USPC **D28/13**

(58) **Field of Classification Search**
USPC D28/12-19
CPC A45D 20/00; A45D 20/48; A45D 20/50;
A45D 20/52; A45D 20/525
See application file for complete search history.

(56) **References Cited**

U.S. PATENT DOCUMENTS

D604,899 S * 11/2009 Habibi D28/13
D658,808 S * 5/2012 Begin D28/13

D715,484 S * 10/2014 Kang A45D 20/12
D28/13
D723,739 S * 3/2015 Helmbold D28/13
D726,369 S * 4/2015 Richmond D28/13
D788,978 S * 6/2017 Kim D28/13
D858,874 S * 9/2019 Parodi D28/13

* cited by examiner

Primary Examiner — **Zenia I Bennett**

(74) *Attorney, Agent, or Firm* — **Olliff PLC**

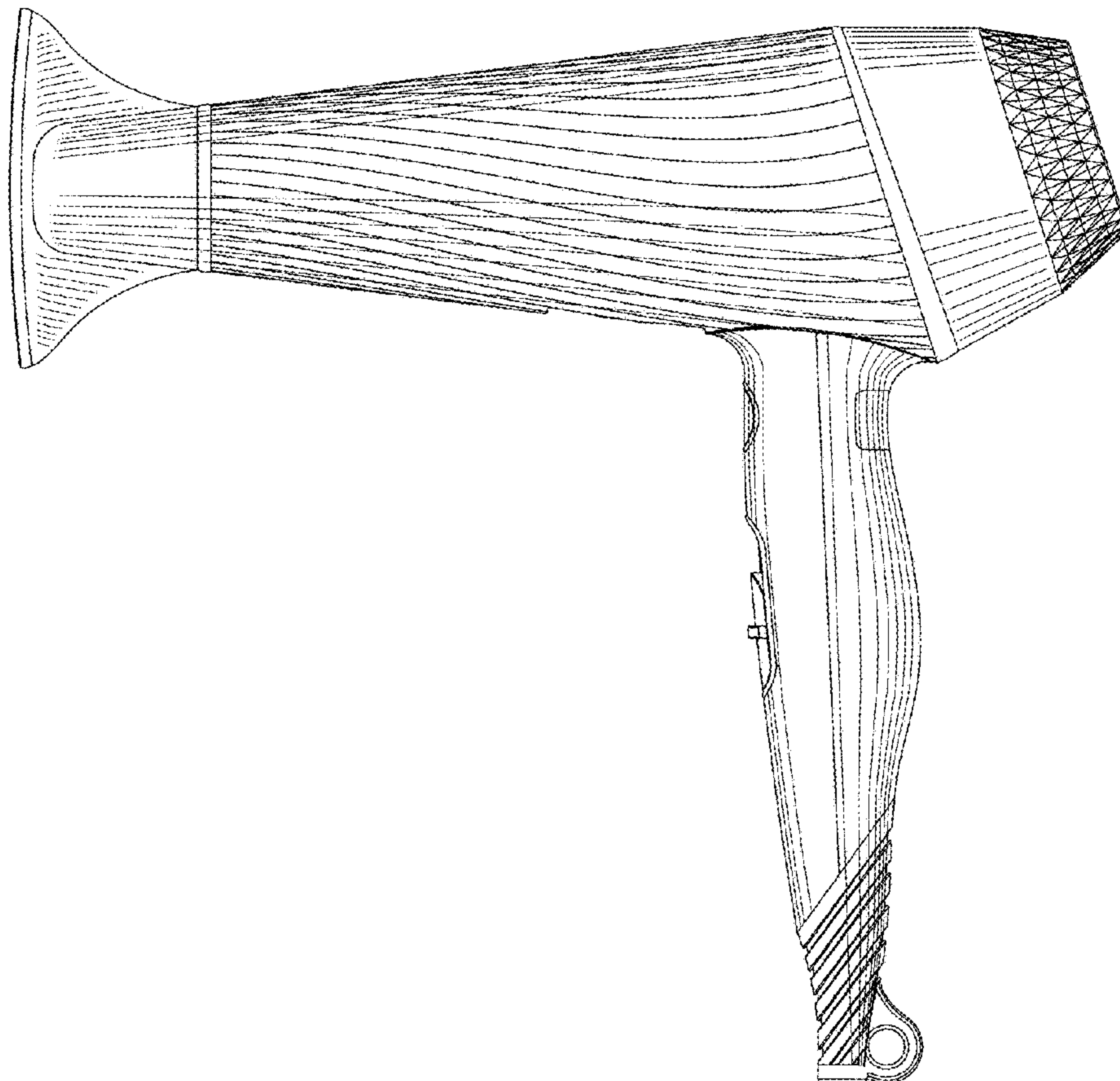
(57) **CLAIM**

The ornamental design for a hair drier, as shown and described.

DESCRIPTION

FIG. 1 is a rear elevational view of the hair drier;
FIG. 2 is a rear, top, right-side perspective view thereof;
FIG. 3 is a bottom plan view thereof;
FIG. 4 is a front elevational view thereof;
FIG. 5 is a front, top, left-side perspective view thereof;
FIG. 6 is a left-side elevational view thereof;
FIG. 7 is a right-side elevational view thereof; and,
FIG. 8 is a top plan view thereof.

1 Claim, 8 Drawing Sheets



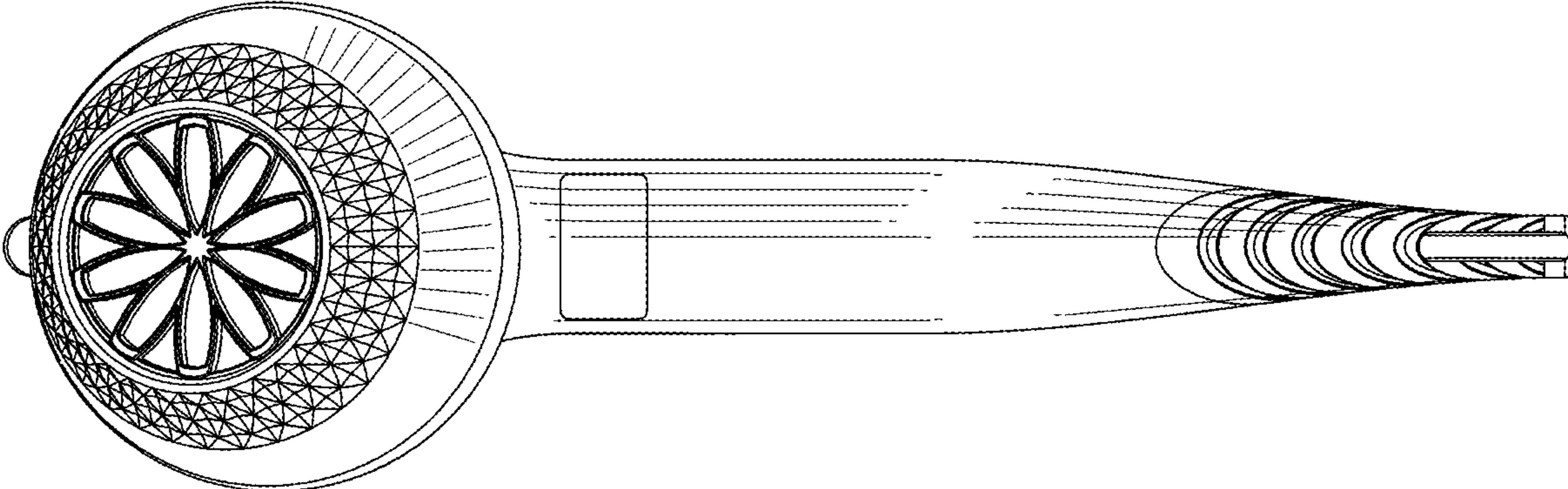


FIG. 1

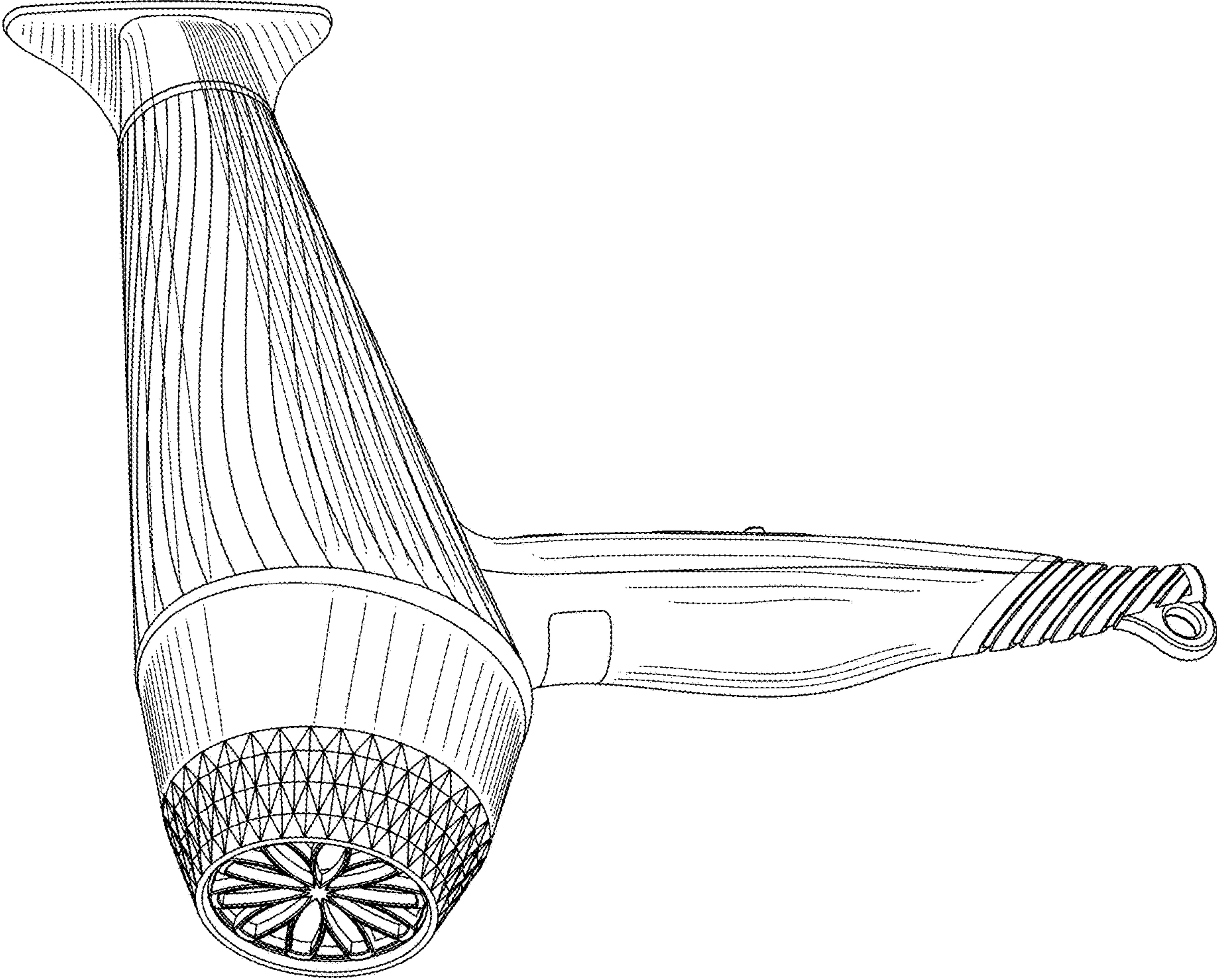


FIG. 2

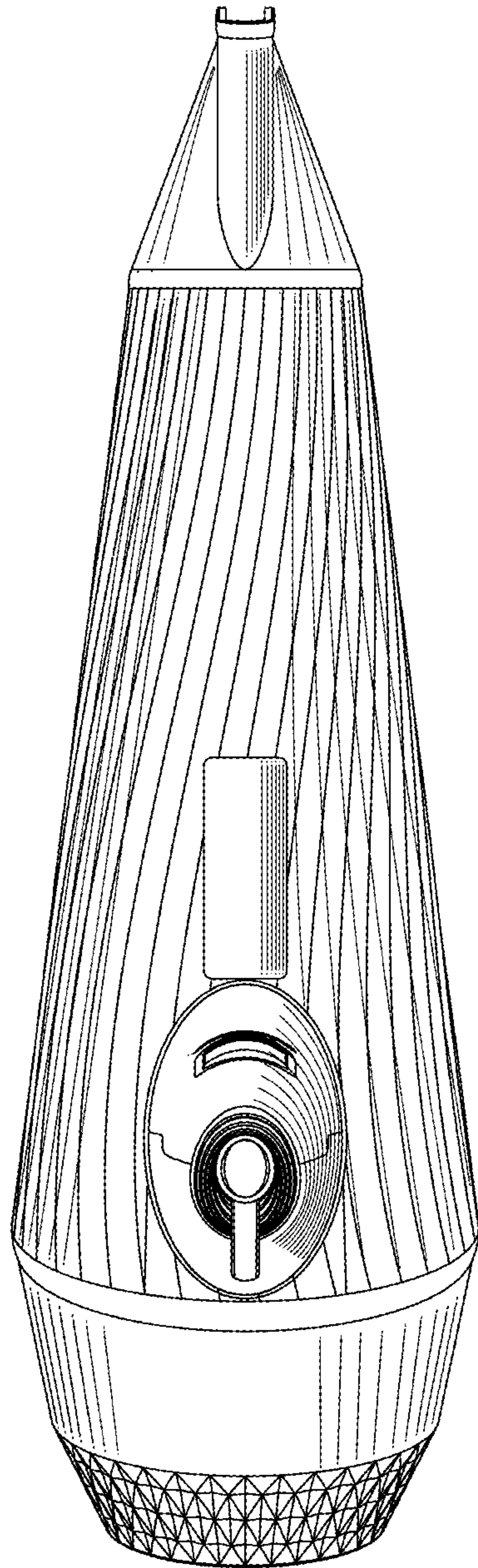


FIG. 3

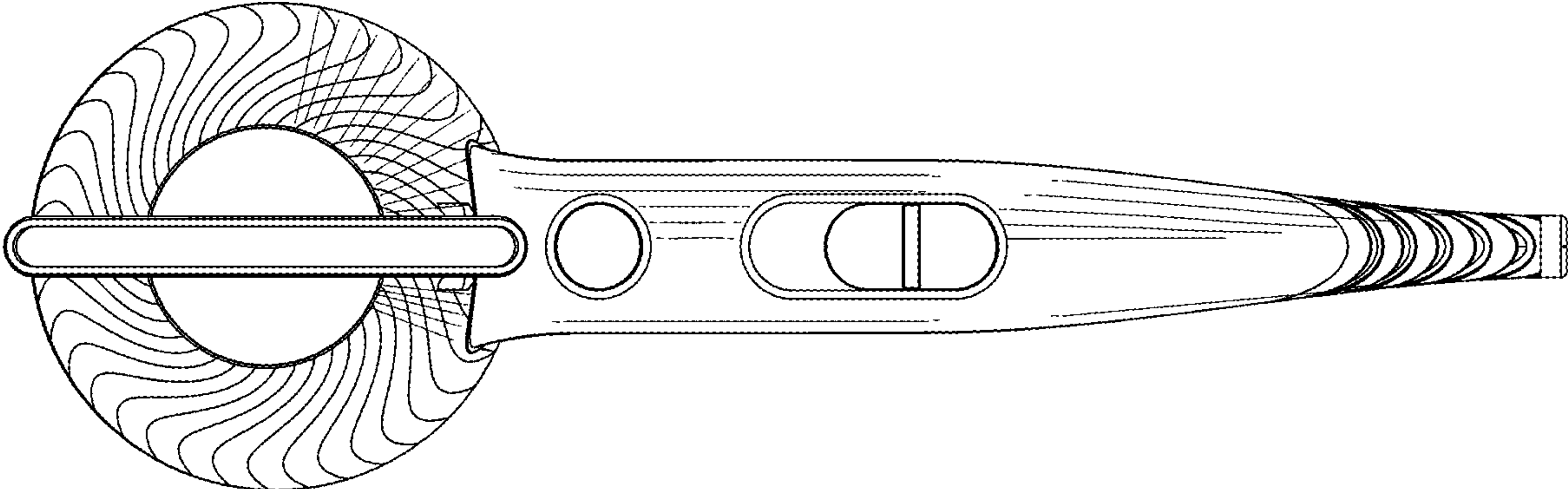


FIG. 4

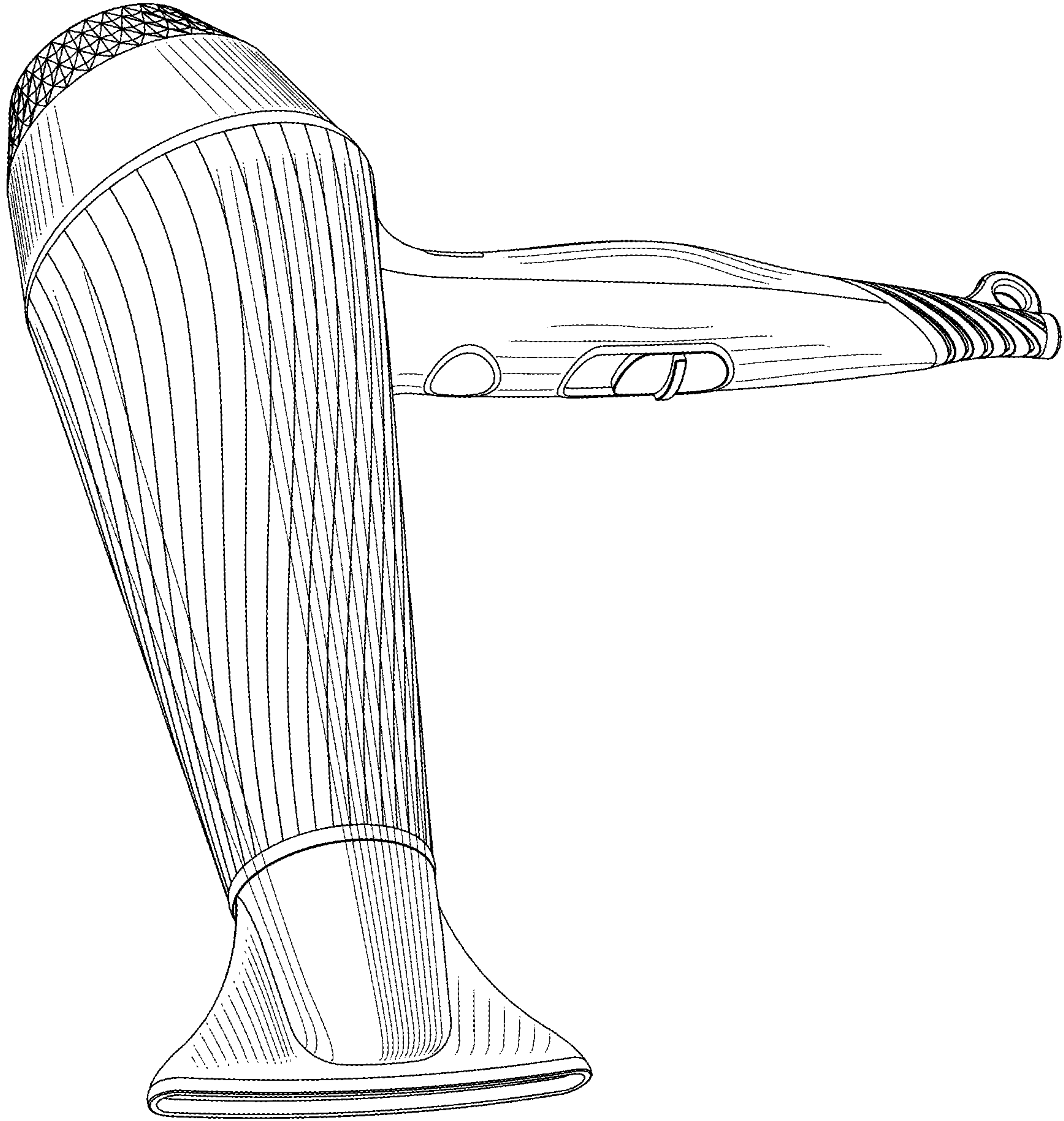


FIG. 5

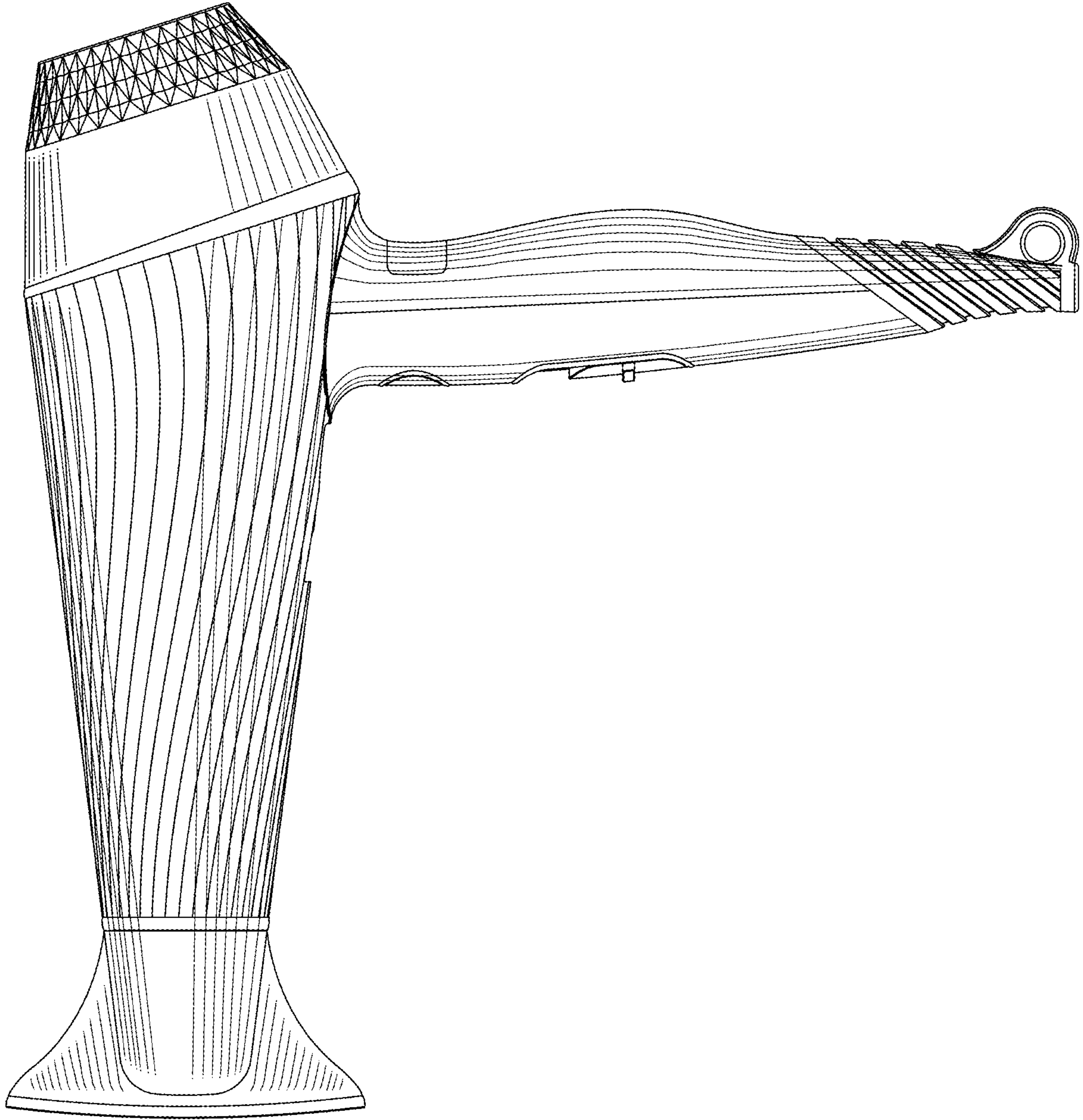


FIG. 6

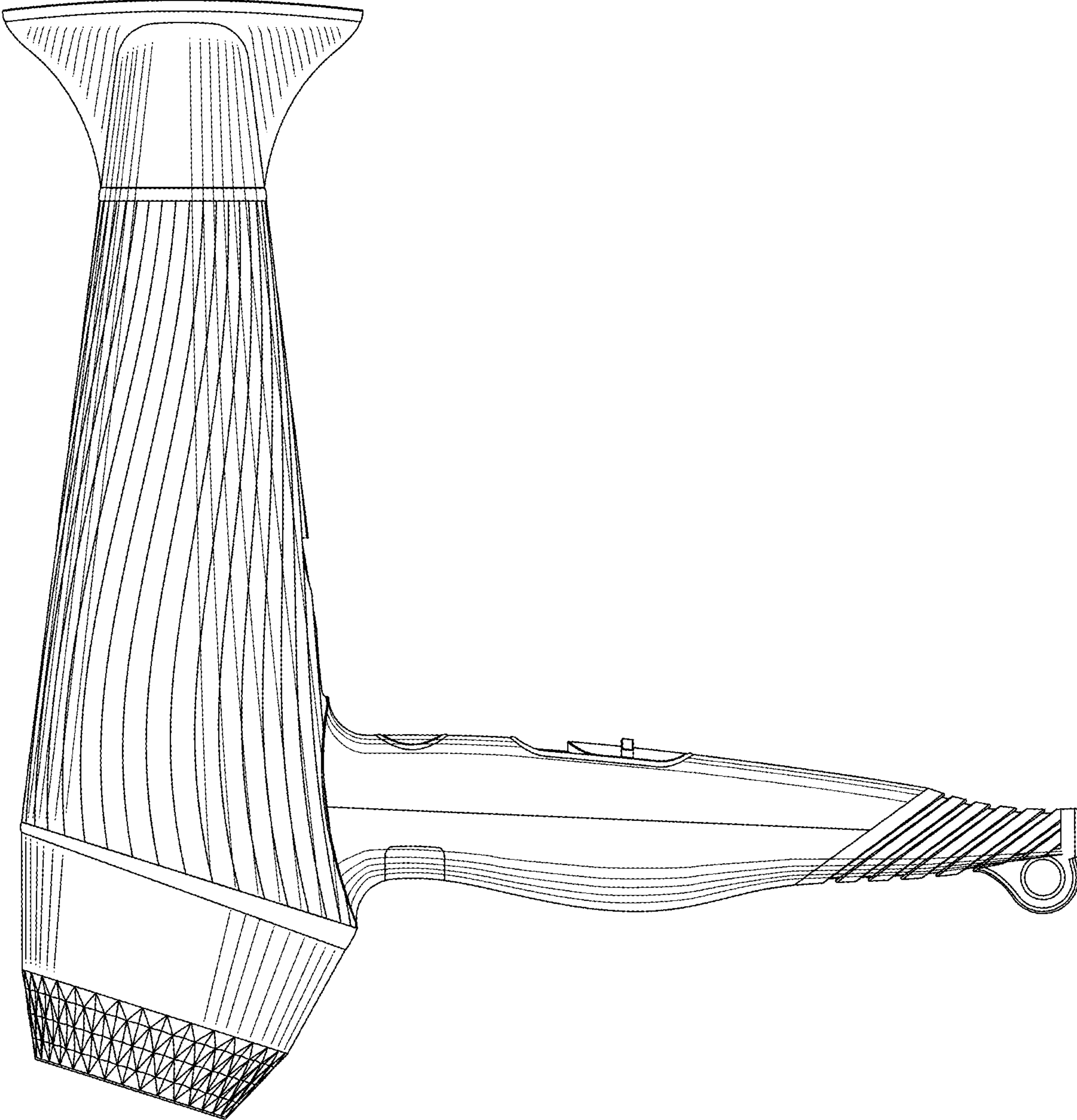


FIG. 7

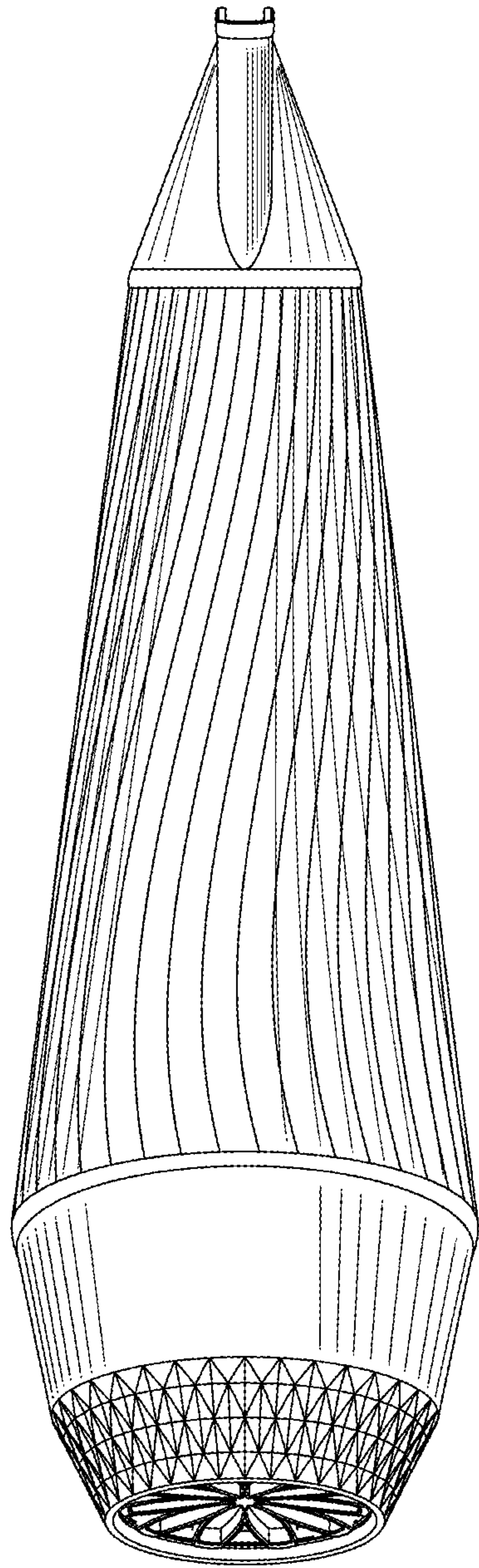


FIG. 8