



US00D888330S

(12) **United States Design Patent** (10) **Patent No.:** **US D888,330 S**  
**Verleur et al.** (45) **Date of Patent:** **\*\* Jun. 23, 2020**

(54) **CARTOMIZER**

(71) Applicant: **VMR Products LLC**, Miami, FL (US)

(72) Inventors: **Jan Andries Verleur**, Miami Beach, FL (US); **Dan Recio**, Miami Beach, FL (US); **Zhiyuan Liu**, Miami, FL (US); **Hans Verleur**, El Dorado, CA (US); **Dongjun Zhai**, Miami, FL (US)

(73) Assignee: **VMR Products LLC**, Miami, FL (US)

(\*\*) Term: **15 Years**

(21) Appl. No.: **29/618,172**

(22) Filed: **Sep. 19, 2017**

(51) **LOC (12) Cl.** ..... **27-02**

(52) **U.S. Cl.**  
USPC ..... **D27/167**

(58) **Field of Classification Search**  
USPC ..... D27/101, 100, 106, 108, 163, 165-169, D27/172, 174, 175, 183, 186-190, 193, D27/195; D24/110; 131/273, 274, 191, 131/330, 329

CPC ..... A24F 9/00; A24F 47/002; A24F 47/004; A24F 47/006; A24F 47/008; A61M 15/06

See application file for complete search history.

(56) **References Cited**

**U.S. PATENT DOCUMENTS**

D613,396 S *	4/2010	Nakao	.....	D24/110
D660,956 S *	5/2012	Zuyderhoudt	.....	D24/110
D697,616 S *	1/2014	Berry	.....	D24/110
D710,002 S *	7/2014	Valentine	.....	D24/110
D752,280 S *	3/2016	Verleur	.....	D27/167
D763,502 S *	8/2016	Verleur	.....	D27/167
D774,180 S *	12/2016	Wu	.....	D24/110
D788,697 S *	6/2017	Verleur	.....	D13/103
D791,931 S *	7/2017	Kang	.....	D24/110
D795,495 S *	8/2017	Li	.....	D27/100
D800,383 S *	10/2017	Verleur	.....	D27/167
10,039,321 B2	8/2018	Verleur et al.		

10,085,481 B2	10/2018	Verleur et al.
2015/0305409 A1	10/2015	Verleur et al.
2017/0071256 A1	3/2017	Verleur et al.
2018/0077967 A1	3/2018	Hatton et al.
2018/0153219 A1	6/2018	Verleur et al.

(Continued)

**FOREIGN PATENT DOCUMENTS**

WO WO-DM099741 2/2018

**OTHER PUBLICATIONS**

“Pax Era Vape Sesh and Review.” Time 6:33, YouTube, 2018. Web. <https://www.youtube.com/watch?v=aa1XSd16u78>.

(Continued)

*Primary Examiner* — Susan Bennett Hattan

*Assistant Examiner* — Rebecca Tsehaye

(74) *Attorney, Agent, or Firm* — Mintz Levin Cohn Ferris Glovsky and Popeo, P.C.

(57) **CLAIM**

The ornamental design for a cartomizer, as shown and described.

**DESCRIPTION**

FIG. 1 is a front perspective view of a cartomizer showing our new design;

FIG. 2 is a rear perspective view thereof;

FIG. 3 is a front elevational view thereof;

FIG. 4 is a rear elevational view thereof;

FIG. 5 is a side elevational view thereof;

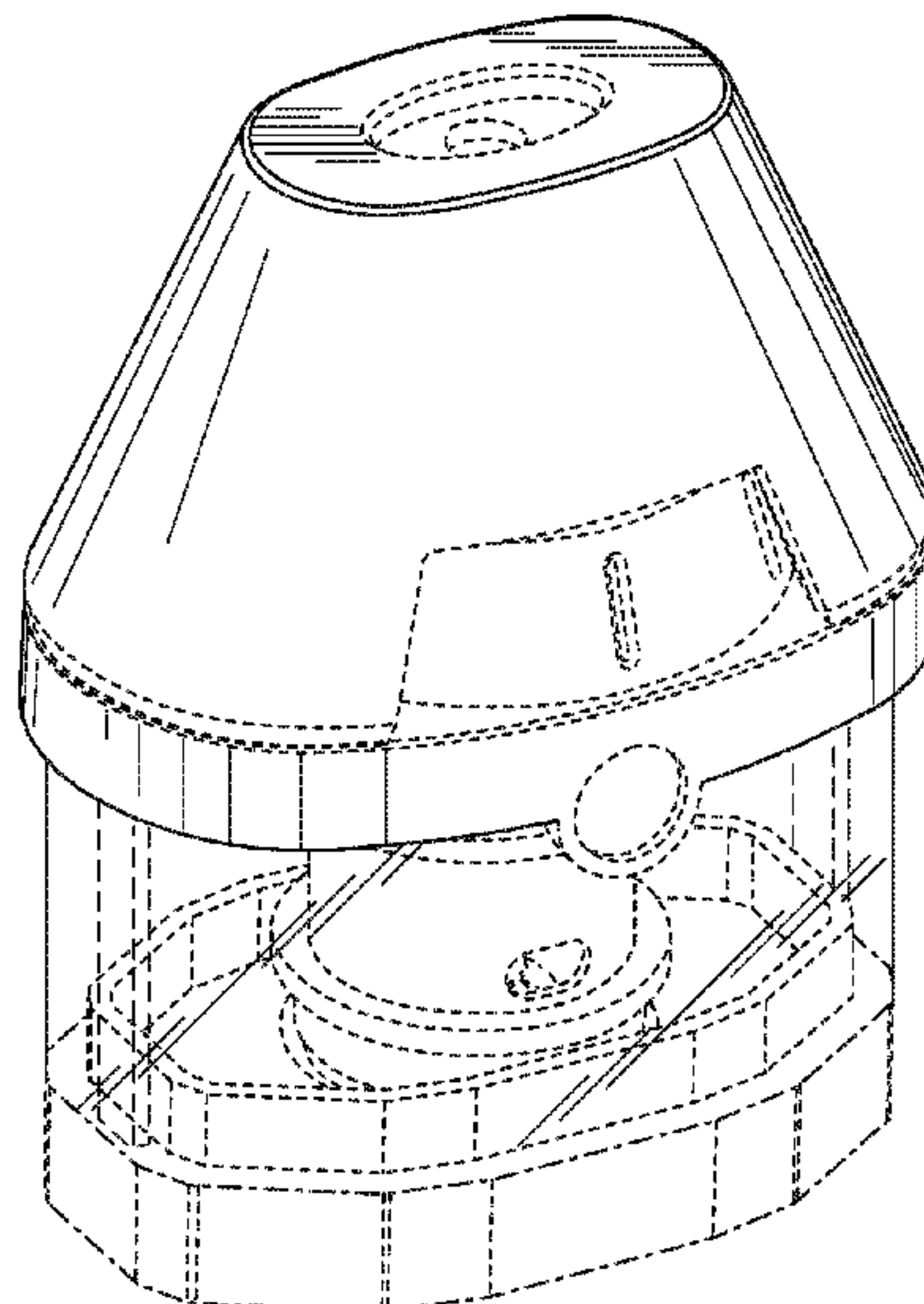
FIG. 6 is a top plan view thereof; and,

FIG. 7 is a bottom plan view thereof.

The dash-dash broken lines illustrate portions of the cartomizer that form no part of the claimed design.

The dash-dot lines illustrate boundary lines that form no part of the claimed design. The areas within the dash-dot lines form no part of the claimed design.

**1 Claim, 6 Drawing Sheets**



(56)

**References Cited**

U.S. PATENT DOCUMENTS

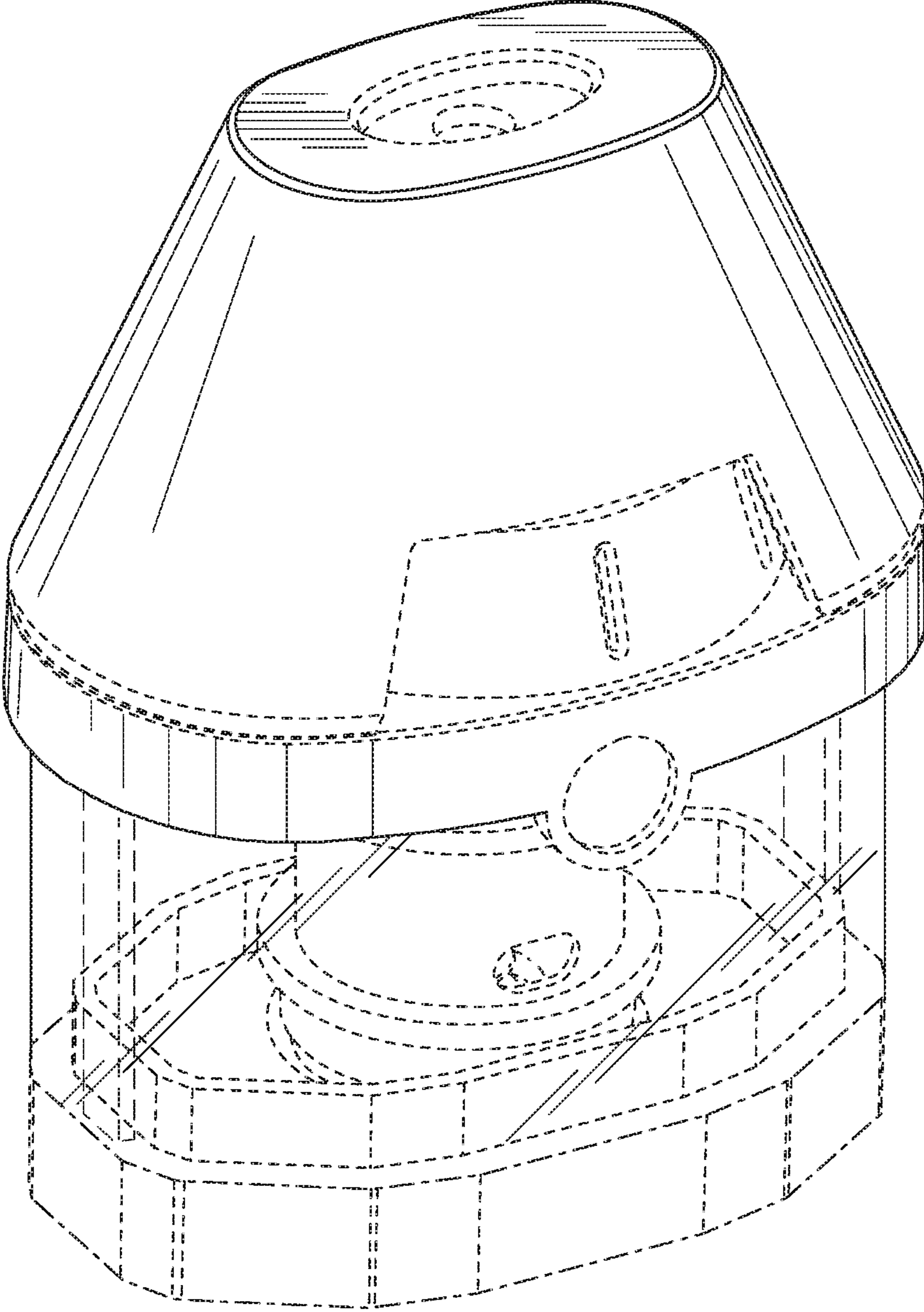
2018/0153220 A1 6/2018 Verleur et al.  
2018/0153221 A1 6/2018 Verleur et al.

OTHER PUBLICATIONS

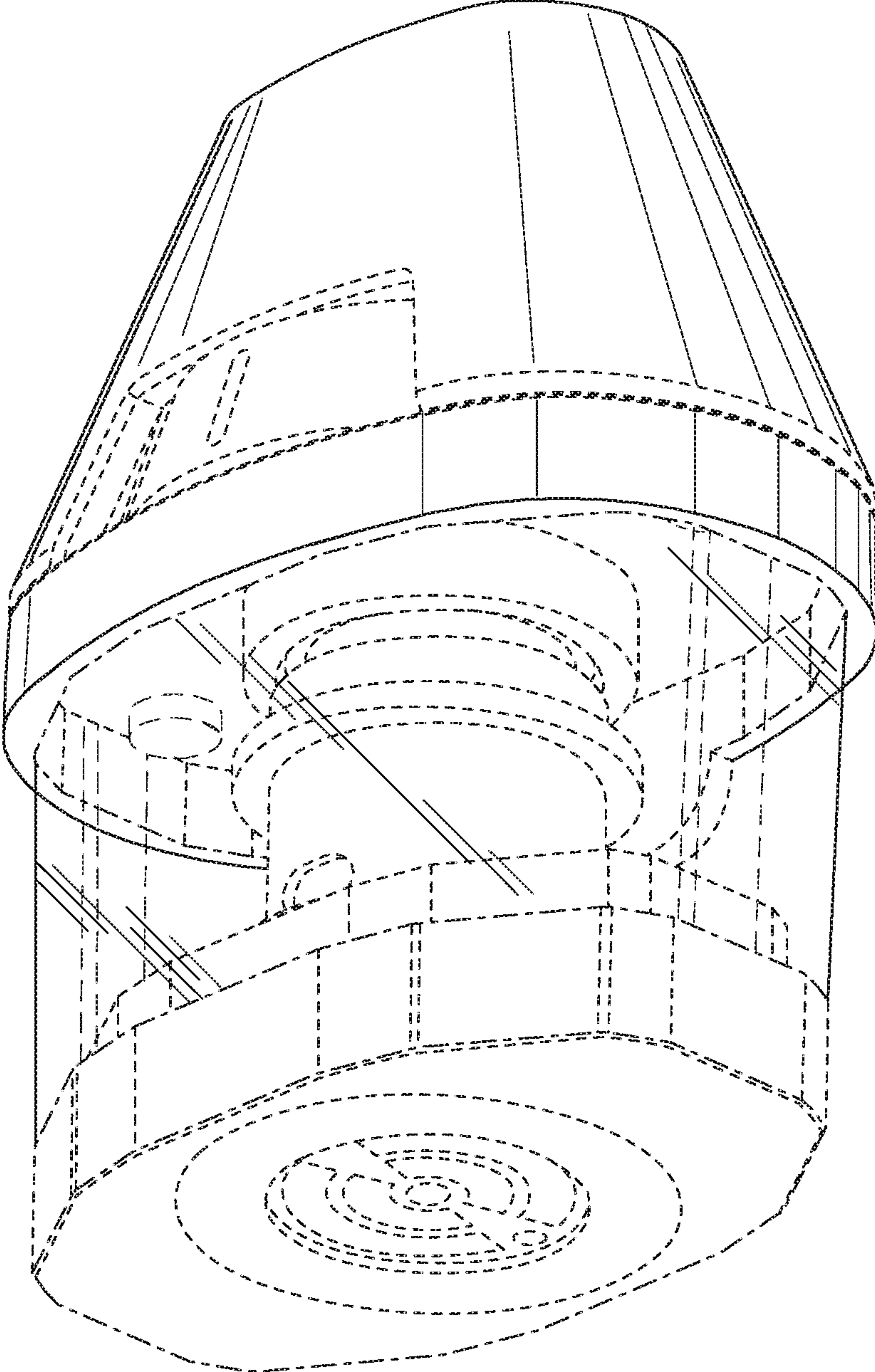
Melia Robinson, "The 'Apple of Vaping' Made an E-Cigarette for Marijuana—Here's What It's Like." Business Insider, Oct. 13, 2016. Web. <https://www.businessinsider.nl/pax-era-vape-pen-review-2016-10/>.

Stanford, Judie. "PAX Era: the On-Demand Slim Extract Vaporizer Ready for Medical Use." GearDiary. Oct. 16, 2016. Web. <https://geardiary.com/2016/10/16/pax-era-the-on-demand-slim-extract-vaporizer-ready-for-medical-use/>.

\* cited by examiner

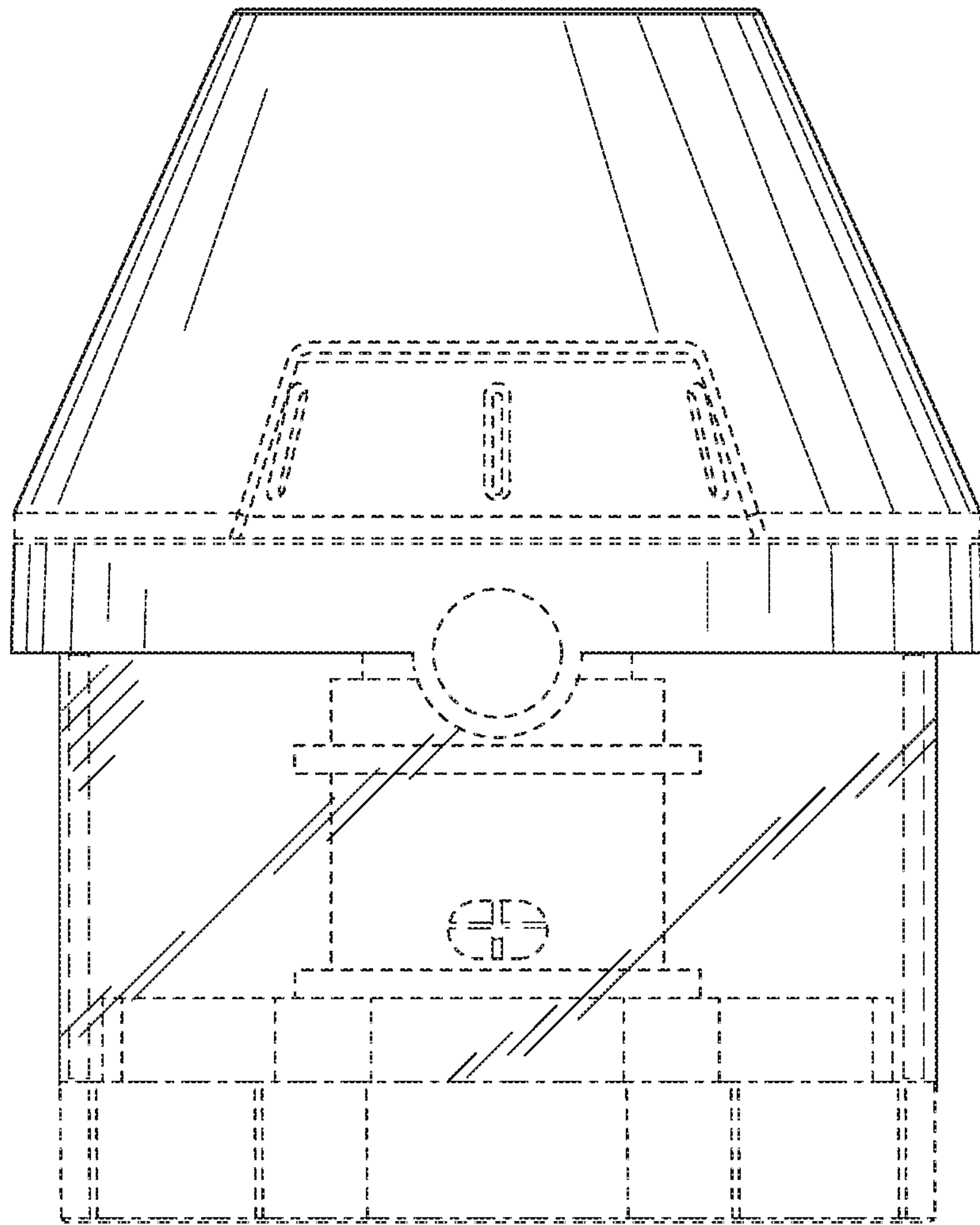


**FIG. 1**

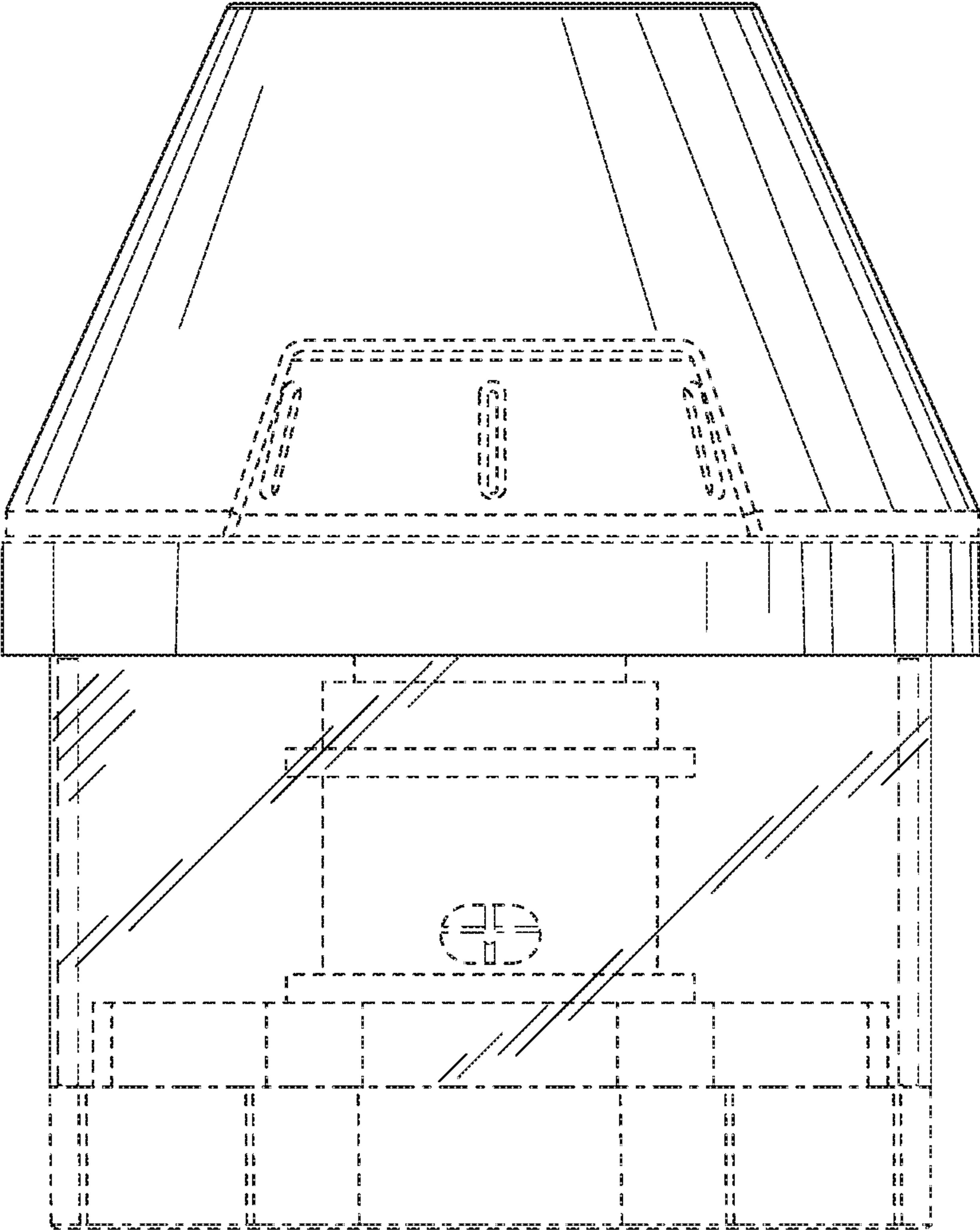


**FIG. 2**

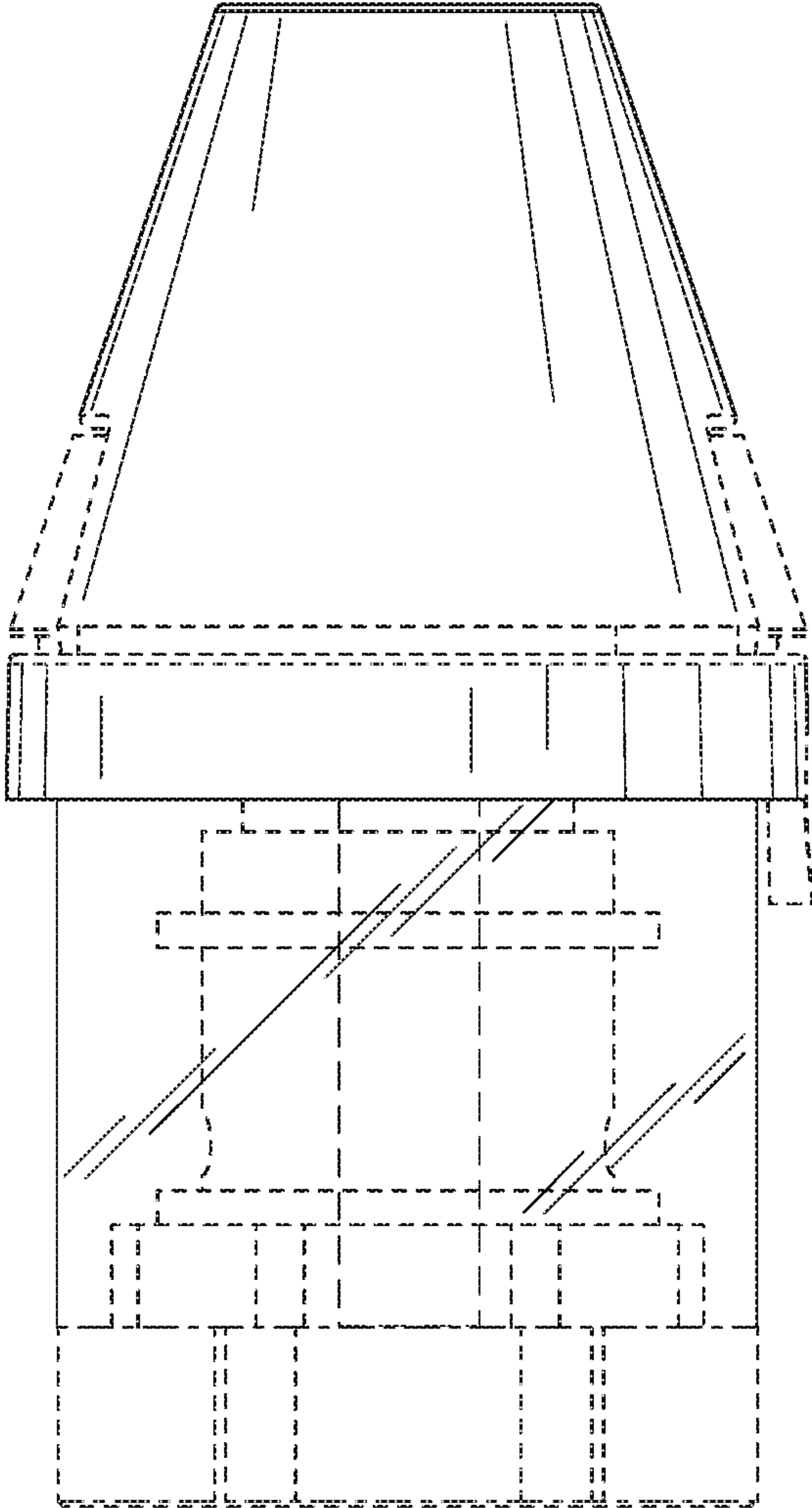




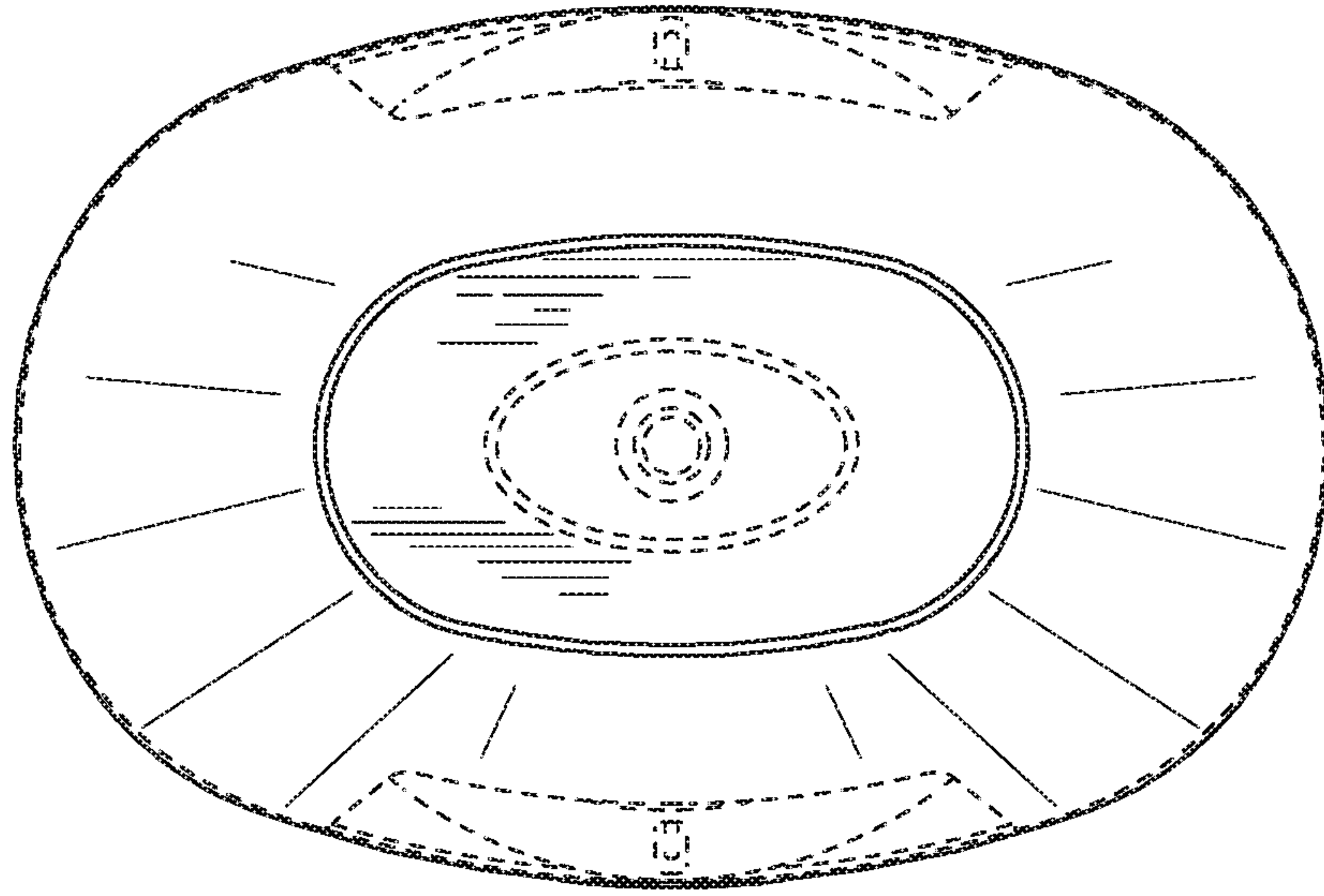
**FIG. 3**



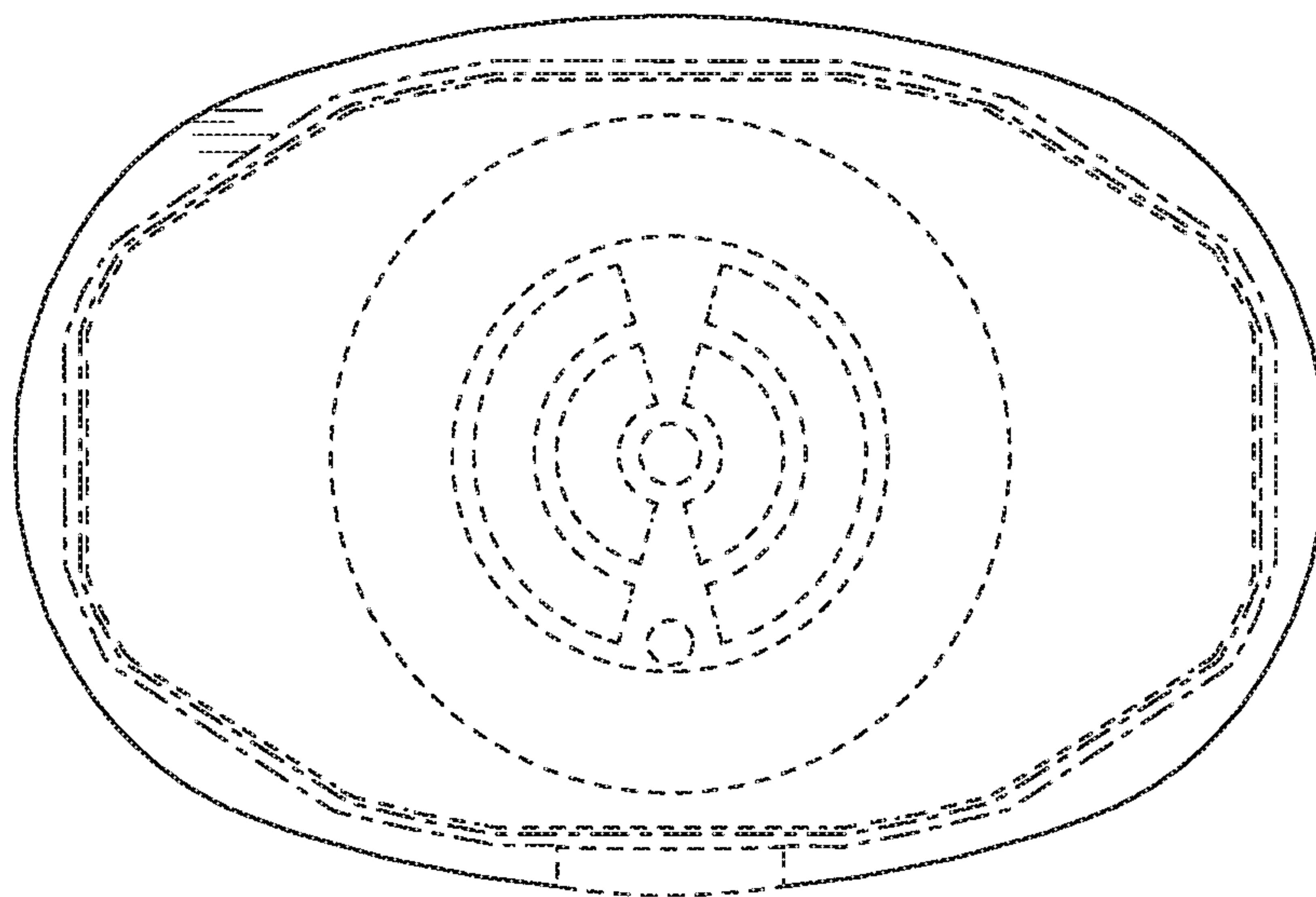
**FIG. 4**



**FIG. 5**



**FIG. 6**



**FIG. 7**