



US00D888329S

(12) **United States Design Patent** (10) **Patent No.:** **US D888,329 S**
Qiu (45) **Date of Patent:** **** Jun. 23, 2020**

(54) **CARTRIDGE FOR ELECTRONIC CIGARETTE**
(71) Applicant: **Joyetech Europe Holding GmbH, Zug (CH)**
(72) Inventor: **Weihua Qiu, Jiangsu (CN)**
(73) Assignee: **JOYETECH EUROPE HOLDING GMBH, Zug (CH)**
(**) Term: **15 Years**
(21) Appl. No.: **29/610,343**
(22) Filed: **Jul. 11, 2017**
(51) **LOC (12) Cl.** **27-02**
(52) **U.S. Cl.**
USPC **D27/167**
(58) **Field of Classification Search**
USPC D27/160, 106, 163, 174, 175, 183,
D27/186-190, 193, 100, 162, 165-172;
D24/110; 131/273, 274, 191, 330, 329,
131/328; 128/202.21, 203.12
CPC A24F 47/002; A24F 47/004; A24F 47/008;
A61M 15/06
See application file for complete search history.

D844,232 S * 3/2019 Qiu D27/163
D844,235 S * 3/2019 Cividi D27/167
D849,996 S * 5/2019 Duque D27/194
D853,023 S * 7/2019 Bailey D27/189
D865,279 S * 10/2019 Pino D27/172
D870,034 S * 12/2019 Lai D13/103
D878,672 S * 3/2020 Beer D27/162

OTHER PUBLICATIONS

https://www.google.com/search?q=cartridge&source=lnms&tbm=isch&sa=X&ved=0ahUKEwibkKfe55zjAhWqdd8KHQ7gDvEQ_AUIESgC&biw=1239&bih=678#imgdii=xjPgVp4zGkqjHM:&imgsrc=mEkCMe882peu0M:&spf=1562296439452.*

* cited by examiner

Primary Examiner — Susan Bennett Hattan
Assistant Examiner — Rebecca Tsehaye
(74) *Attorney, Agent, or Firm* — Novick, Kim & Lee, PLLC; Allen Xue; Hyun Woo Shin

(57) **CLAIM**

I claim the ornamental design for a cartridge for electronic cigarette, as shown and described.

DESCRIPTION

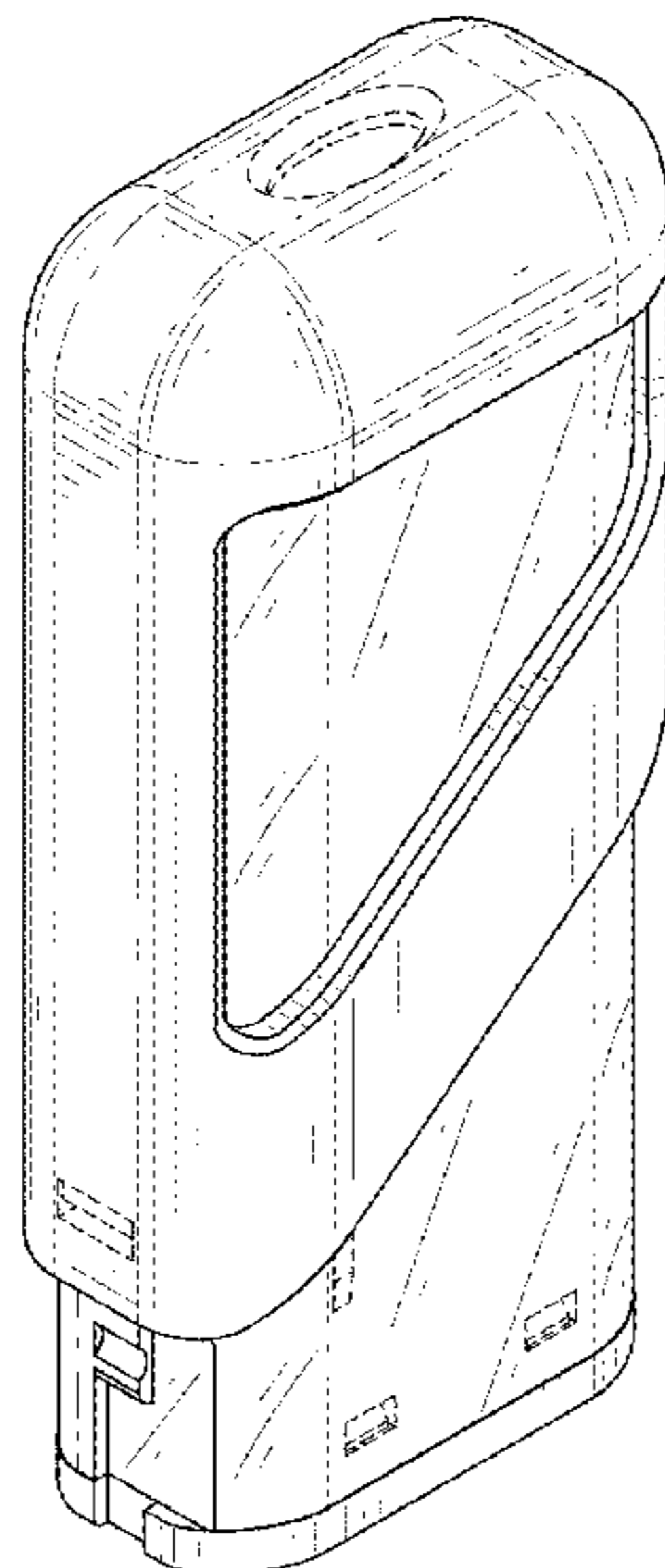
FIG. 1 is a top, front perspective view of a cartridge for electronic cigarette, showing my new design;
FIG. 2 is a bottom, rear perspective view thereof;
FIG. 3 is a front elevational view thereof;
FIG. 4 is a rear elevational view thereof;
FIG. 5 is a left side elevational view thereof;
FIG. 6 is a right side elevational view thereof;
FIG. 7 is a top plan view thereof; and,
FIG. 8 is a bottom plan view thereof.
The broken lines in the drawings depict portions of cartridge for electronic cigarette that form no part of the claimed design.

1 Claim, 8 Drawing Sheets

(56) **References Cited**

U.S. PATENT DOCUMENTS

D613,395 S * 4/2010 Nakao D24/110
D634,892 S * 3/2011 Hein D27/189
D751,500 S * 3/2016 Shimota D13/103
D752,286 S * 3/2016 Doster D27/189
D771,867 S * 11/2016 Leidel D27/163
D772,480 S * 11/2016 Hua D27/189
D806,021 S * 12/2017 Xu D13/107
D828,953 S * 9/2018 Chen D27/167
D832,505 S * 10/2018 Bennett D27/193
D842,237 S * 3/2019 Qiu D13/103
D842,243 S * 3/2019 Qiu D13/108
D842,536 S * 3/2019 Bowen D27/167



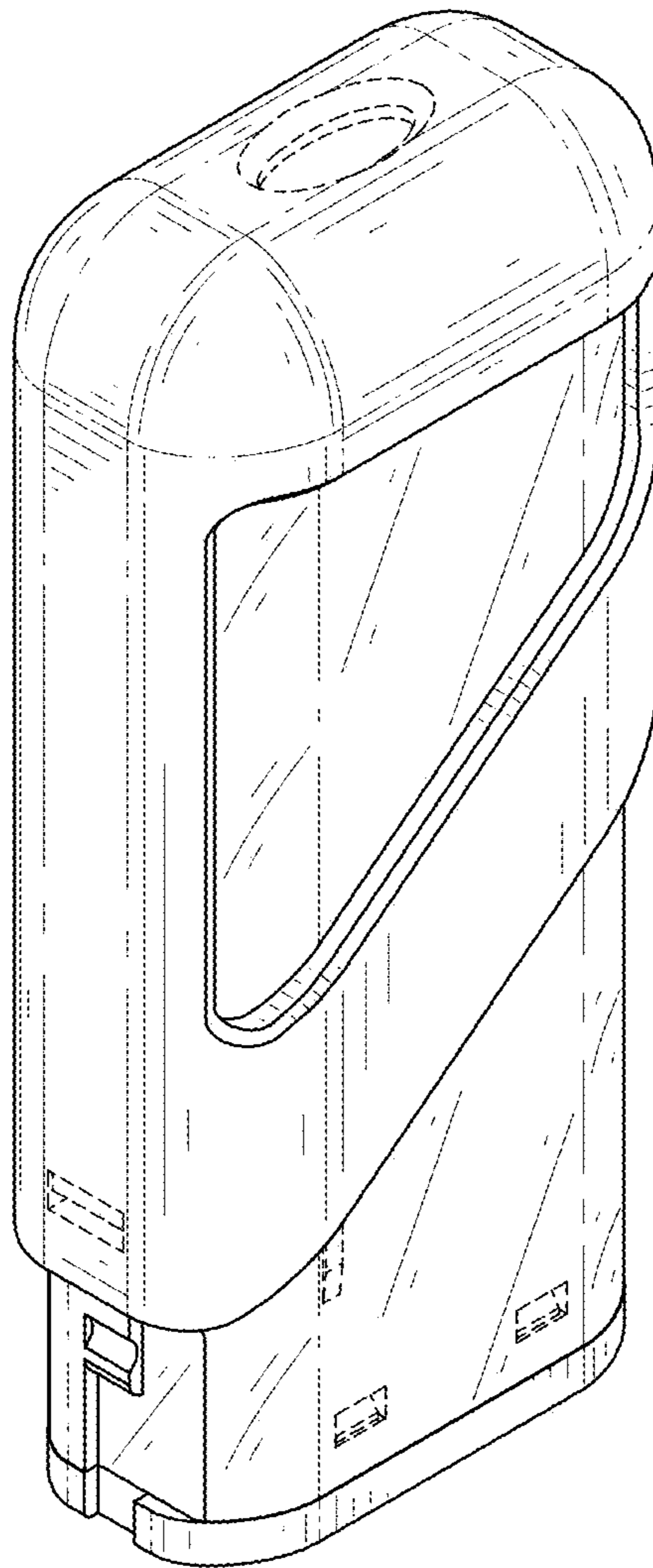


FIG. 1

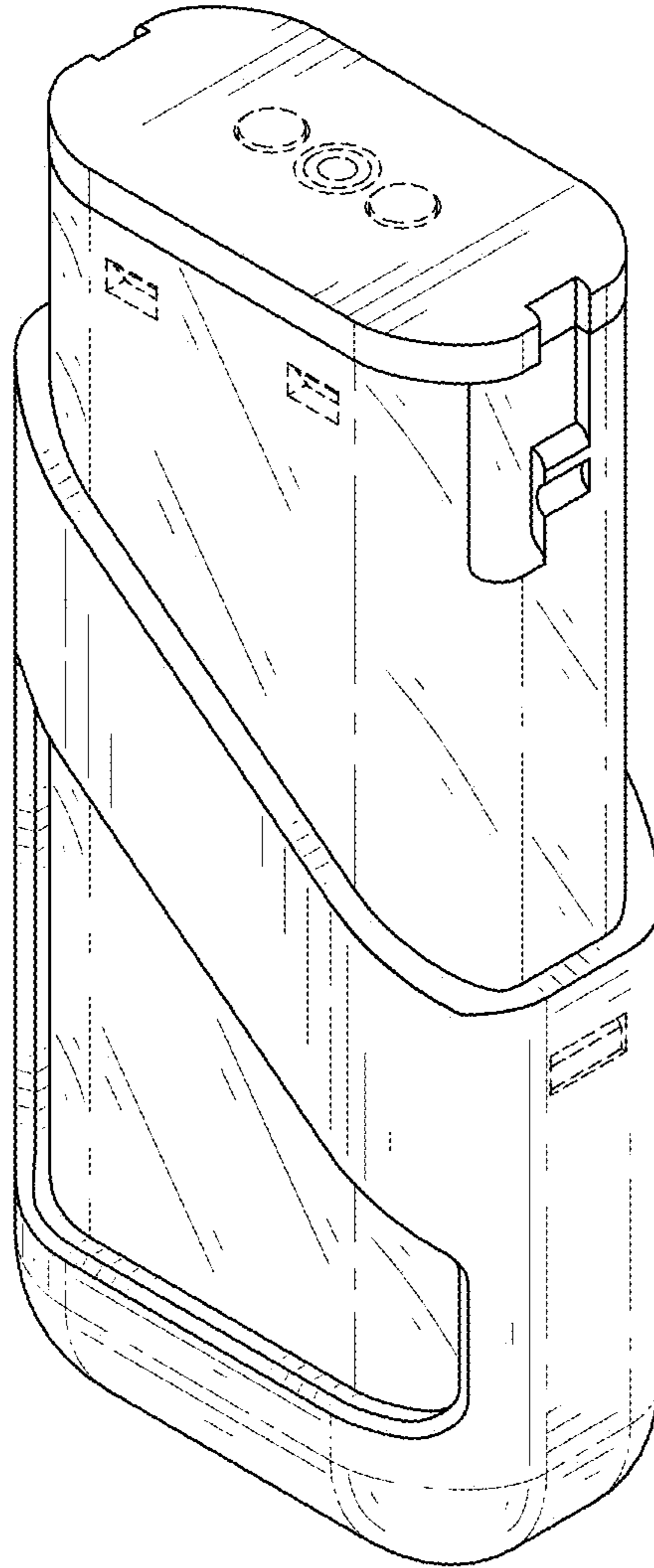


FIG. 2

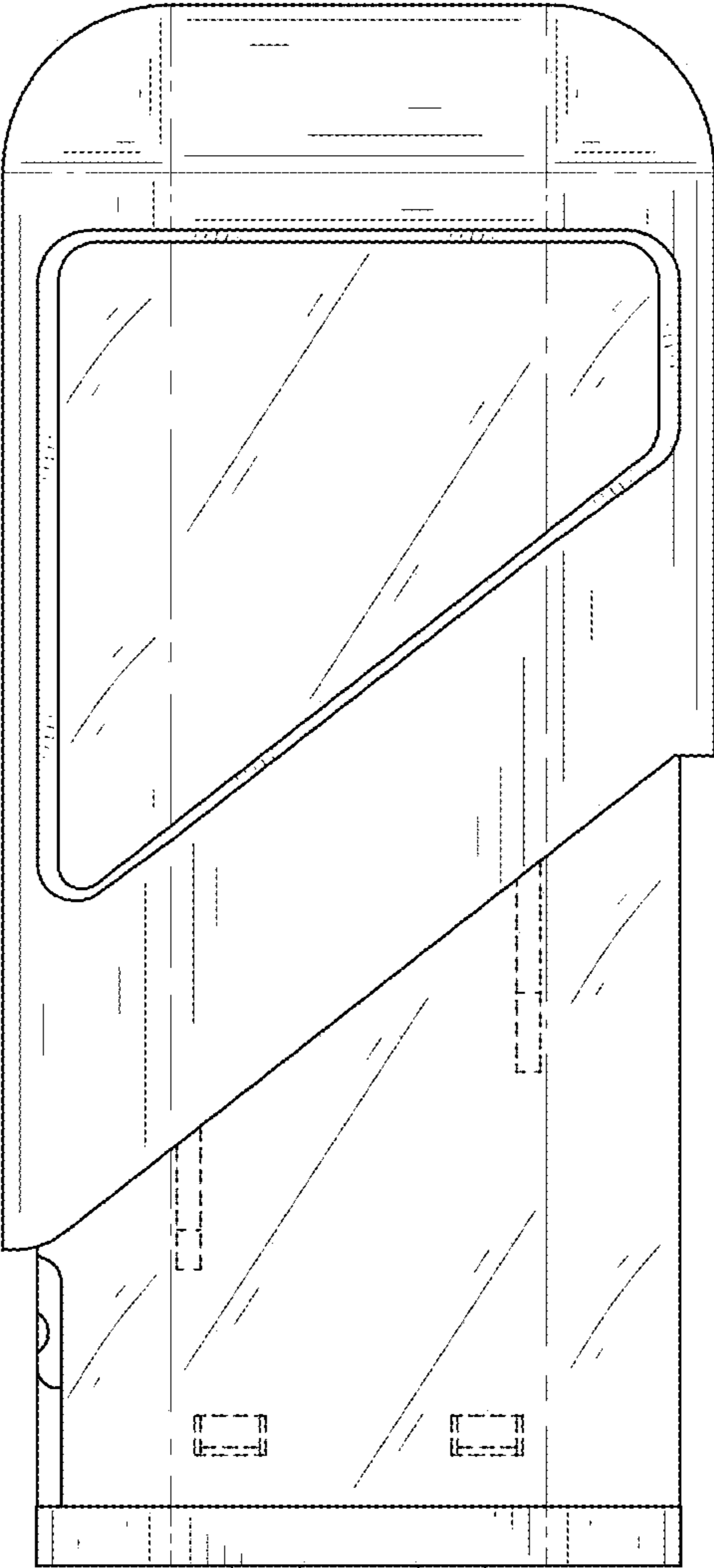


FIG. 3

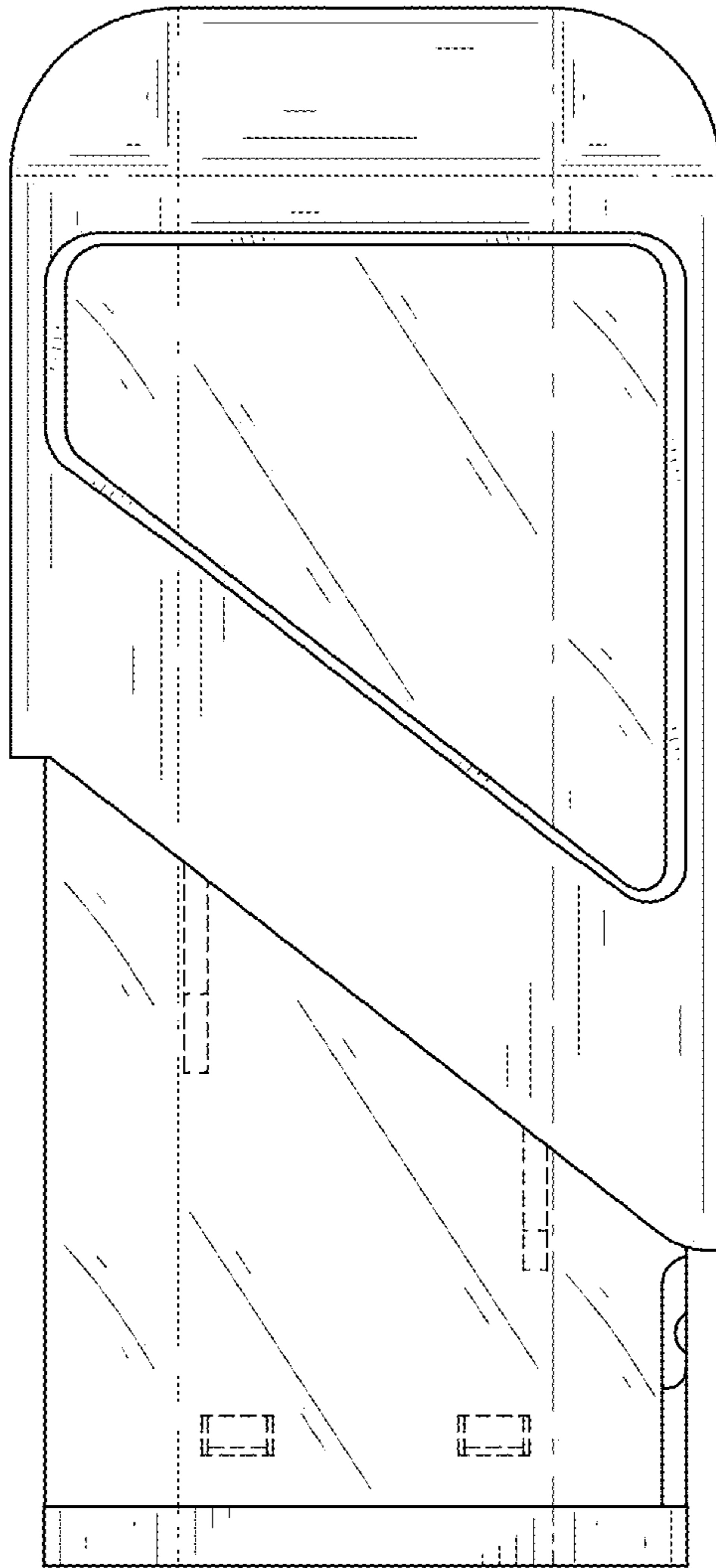


FIG. 4

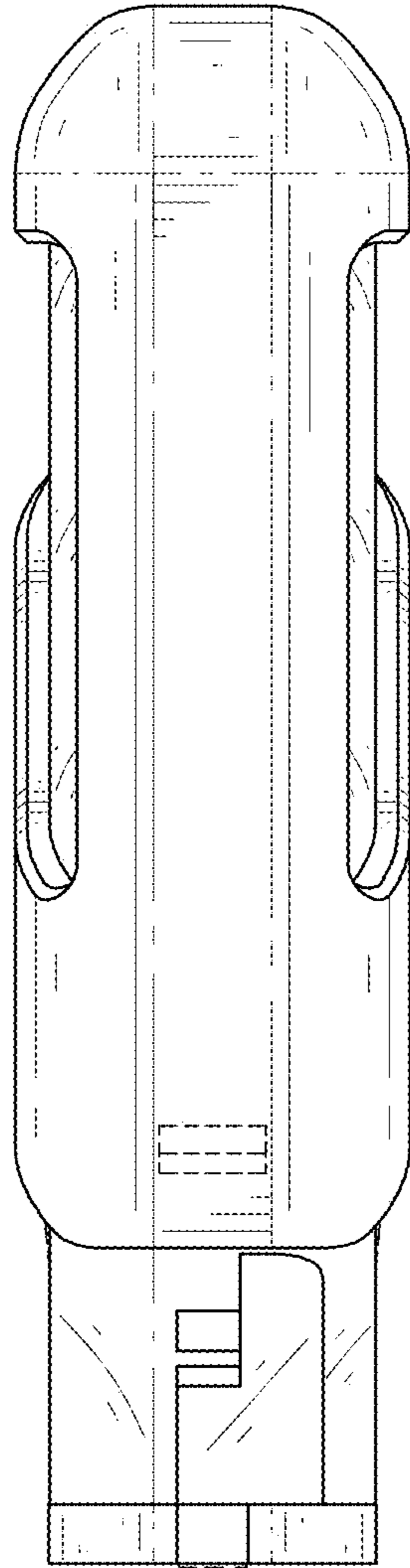


FIG. 5

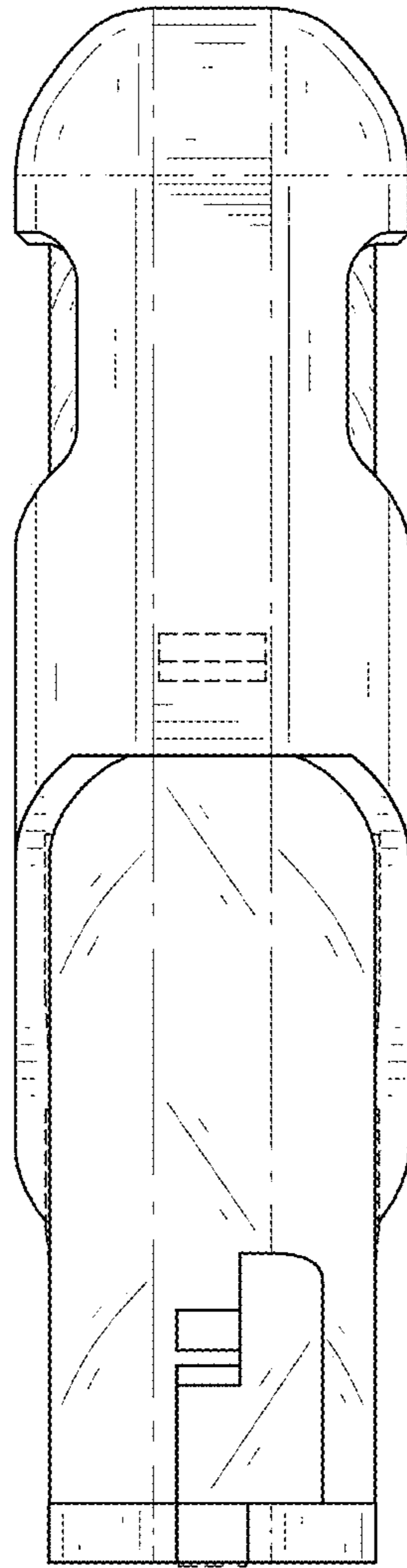


FIG. 6

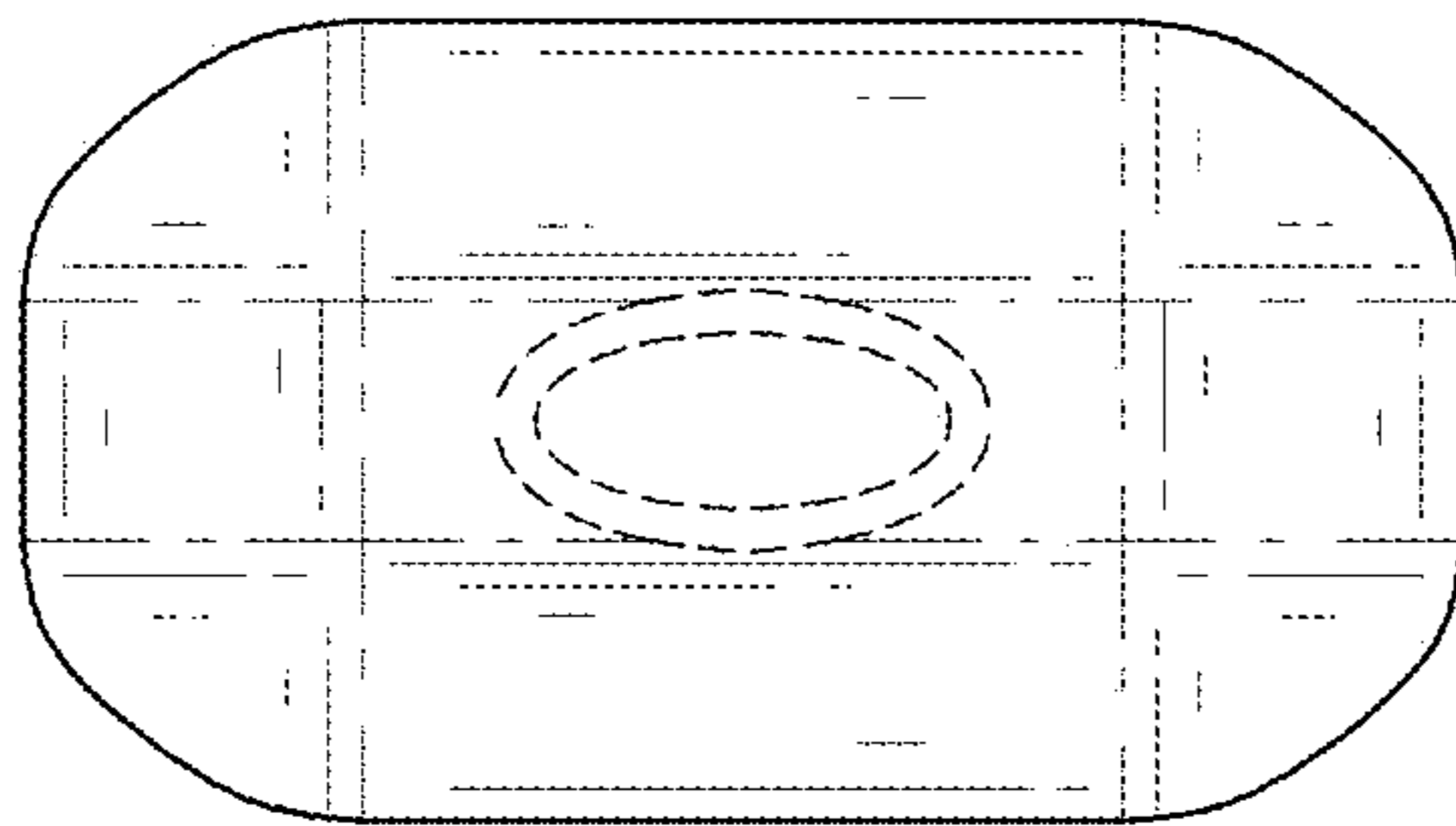


FIG. 7

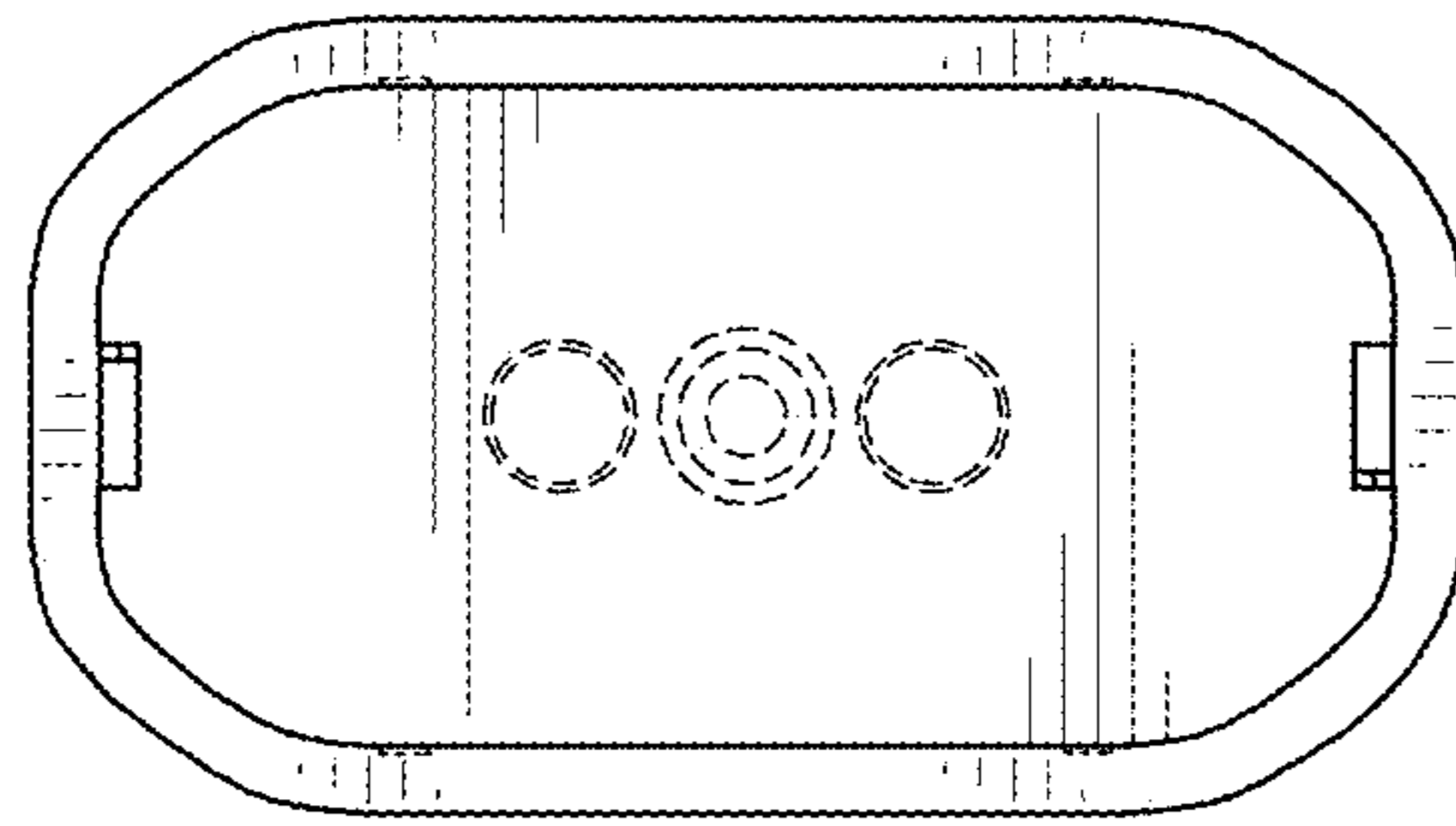


FIG. 8