



US00D888328S

(12) **United States Design Patent**
Frechin et al.

(10) **Patent No.:** **US D888,328 S**

(45) **Date of Patent:** **** Jun. 23, 2020**

(54) **BREATHALYZER**

(71) Applicant: **OLYTHE**, Aix-en-Provence (FR)

(72) Inventors: **Jean-Louis Frechin**, Paris (FR);
Laurent François, Perigny sur Yerres (FR)

(73) Assignee: **OLYTHE** (FR)

(**) Term: **15 Years**

(21) Appl. No.: **29/666,528**

(22) Filed: **Oct. 13, 2018**

(51) **LOC (12) Cl.** **27-02**

(52) **U.S. Cl.**
USPC **D27/162**

(58) **Field of Classification Search**
USPC D27/162, 100, 101, 163–165, 167, 172,
D27/174, 175, 176, 183, 185–194;
D24/110, 110.5; 128/202.21, 203.12;
131/273, 274, 191, 330, 329; D10/81,
D10/78; 73/23.3
CPC A24F 47/002; A24F 47/006; A24F 47/008;
A61M 15/00; A61M 15/06; G01N
33/497; G01N 33/4972
See application file for complete search history.

(56) **References Cited**

U.S. PATENT DOCUMENTS

D539,683 S * 4/2007 Shaw D10/81
D718,492 S * 11/2014 Albanese D27/101
D721,202 S * 1/2015 Liu D27/101
D725,310 S * 3/2015 Eksouzian D27/101

D757,353 S * 5/2016 Nunnelly D27/101
D759,303 S * 6/2016 Afridi D27/101
D760,429 S * 6/2016 Emarlou D27/163
D760,948 S * 7/2016 Eksouzian D27/101
D776,869 S * 1/2017 Heidl D27/163
D778,493 S * 2/2017 Scott D27/101
D786,497 S * 5/2017 Sudlow D27/162
D802,206 S * 11/2017 Huang D27/101
D806,941 S * 1/2018 Hawes D27/101
D813,447 S * 3/2018 Watson D27/162
D822,271 S * 7/2018 Eksouzian D27/101
D835,337 S * 12/2018 Beer D27/162
2015/0034104 A1 * 2/2015 Zhou A24F 47/008
131/329

* cited by examiner

Primary Examiner — Marissa J Cash

Assistant Examiner — Rebecca Tsehaye

(74) *Attorney, Agent, or Firm* — Cabinet Roman

(57) **CLAIM**

The ornamental design for a breathalyzer, as shown and described.

DESCRIPTION

FIG. 1 is a top perspective view of a breathalyzer showing my new design.

FIG. 2 is a top plan view thereof.

FIG. 3 is a bottom plan view thereof.

FIG. 4 is a left side elevational view thereof.

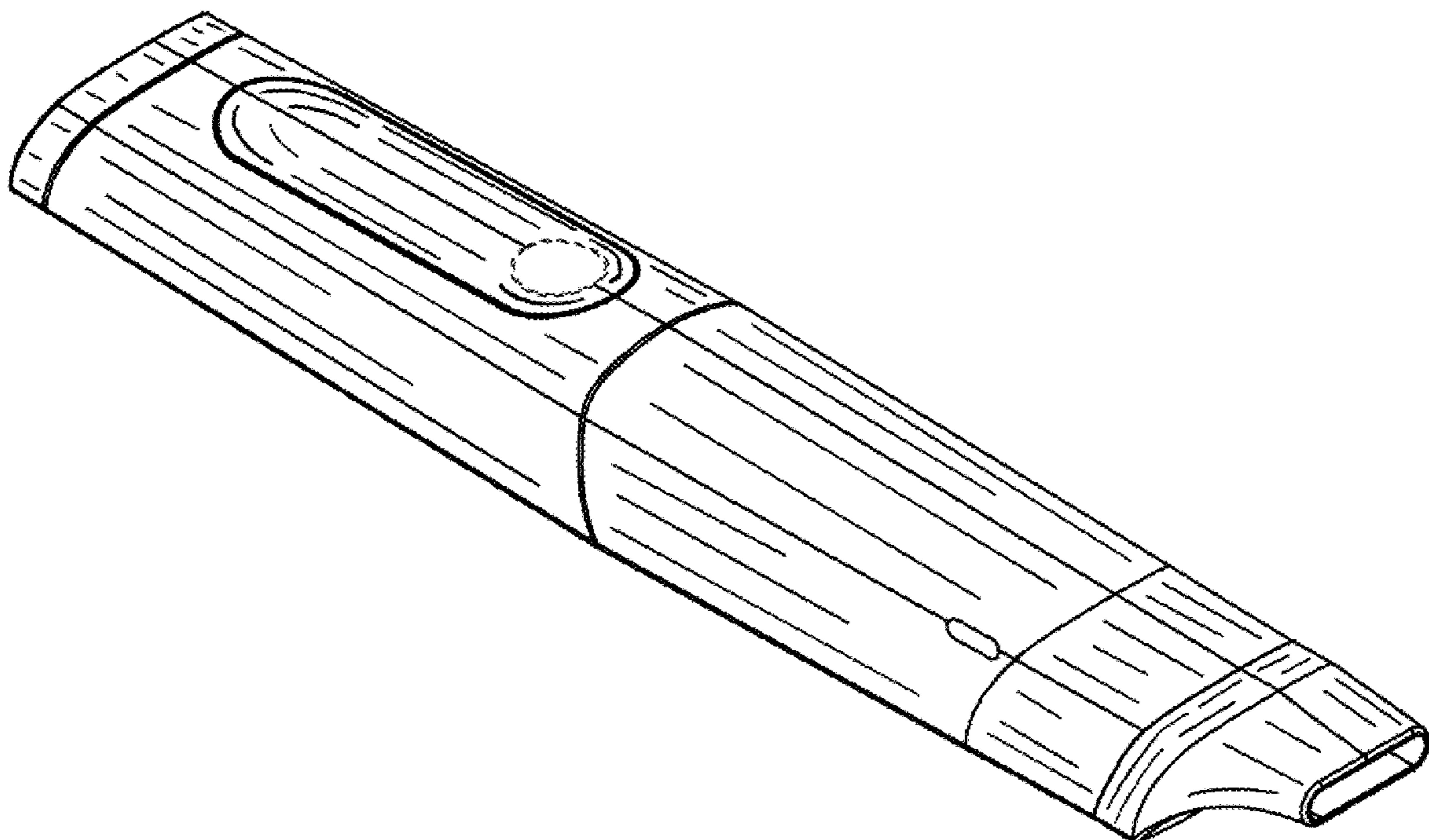
FIG. 5 is a right side elevational view thereof.

FIG. 6 is a front elevational view thereof; and,

FIG. 7 is a rear elevational view thereof.

The broken lines in the drawings depict portions of the breathalyzer that form no part of the claimed design.

1 Claim, 7 Drawing Sheets



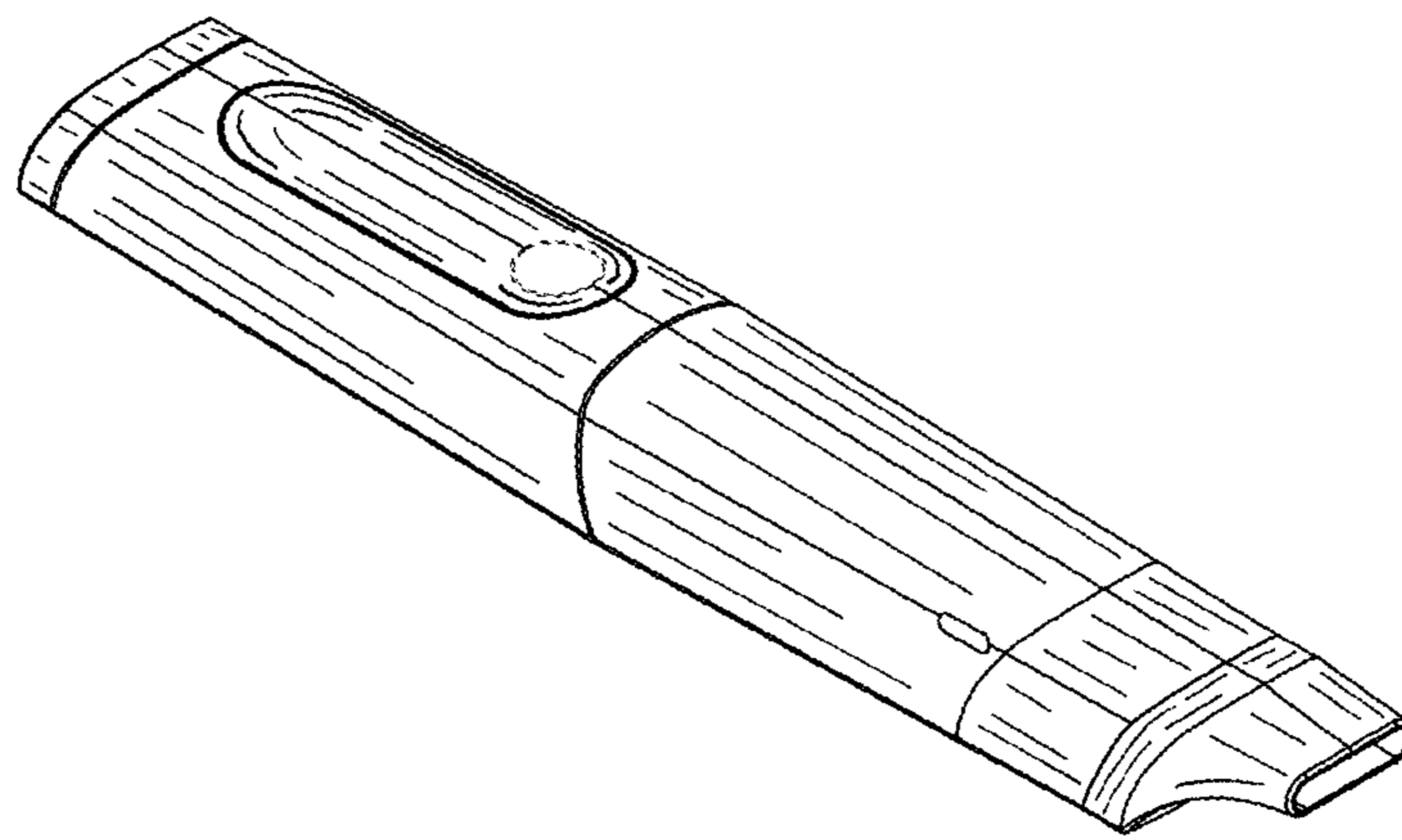


FIG. 1

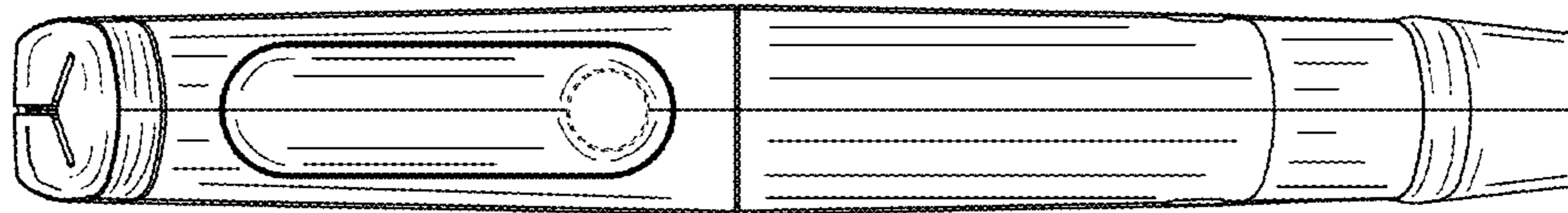


FIG. 2



FIG. 3

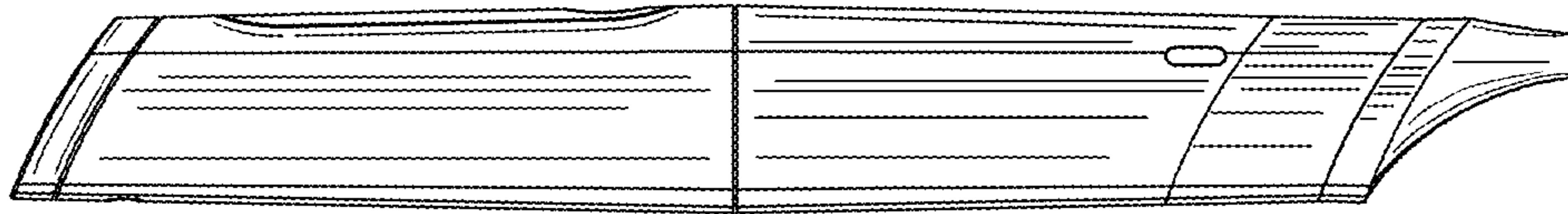


FIG. 4

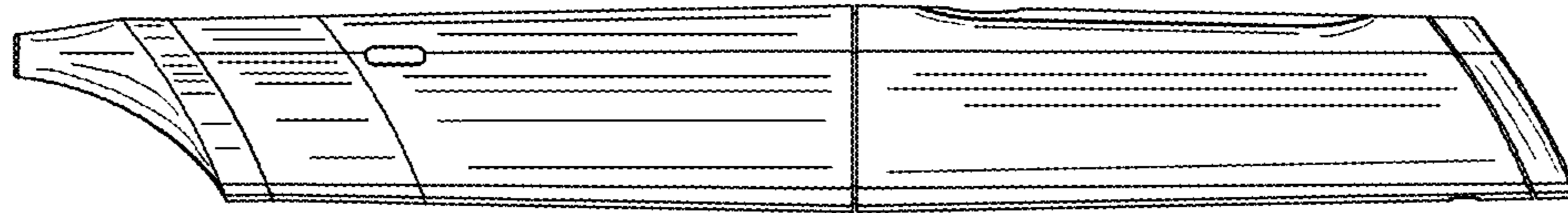


FIG. 5

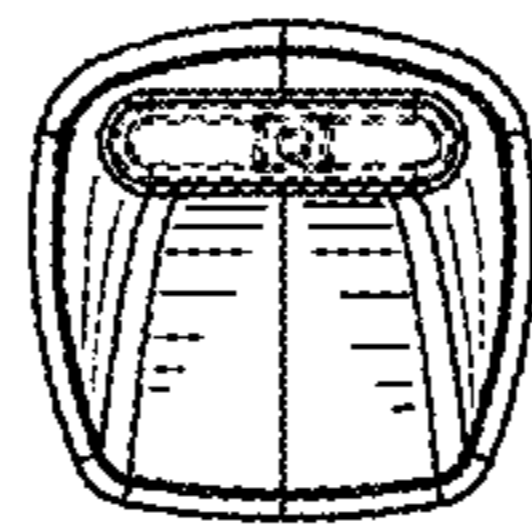


FIG. 6

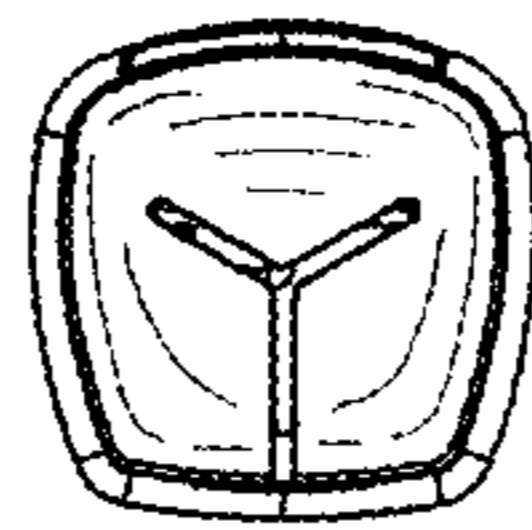


FIG. 7