



US00D888324S

(12) **United States Design Patent**
Clarke

(10) **Patent No.:** **US D888,324 S**

(45) **Date of Patent:** **** Jun. 23, 2020**

(54) **DOUBLE SIDED BRACKET FOR A LIGHT ASSEMBLY**

(71) Applicant: **As Seen on PC, Inc.**, Fairfield, CT (US)

(72) Inventor: **Curtis Allen Clarke**, Fairfield, CT (US)

(73) Assignee: **As Seen on PC, Inc.**, Fairfield, CT (US)

(**) Term: **15 Years**

(21) Appl. No.: **29/592,203**

(22) Filed: **Jan. 27, 2017**

(51) **LOC (12) Cl.** **26-05**

(52) **U.S. Cl.**
USPC **D26/138**

(58) **Field of Classification Search**
USPC D26/1, 24, 26-28, 37-50, 60-66, 72-76, D26/113, 118, 119, 120, 121, 122, 180, D26/138; D14/218; D12/110, 114; D2/742

CPC F21Y 2103/30; F21Y 2107/30; F21V 29/507; F21V 29/004; F21V 29/677; F21V 29/60; F21V 5/04

See application file for complete search history.

(56) **References Cited**

U.S. PATENT DOCUMENTS

D401,366 S * 11/1998 McCool D12/114
D403,089 S * 12/1998 Arribard D26/28
6,454,431 B1 * 9/2002 Grossman F21S 2/00
362/150

D693,517 S * 11/2013 Davis D26/138
D707,877 S * 6/2014 Turner D26/118
D713,092 S * 9/2014 Smith D26/118
D779,312 S * 2/2017 Stanley D26/138
D789,595 S * 6/2017 Stanley
D803,470 S * 11/2017 Austin, III D26/118

* cited by examiner

Primary Examiner — Mark A Goodwin

Assistant Examiner — Benjamin M Weeks

(74) *Attorney, Agent, or Firm* — Zeigler IP Law Group LLC

(57) **CLAIM**

The ornamental design for a double sided bracket for a light assembly, as shown and described.

DESCRIPTION

FIG. 1 is a bottom left perspective view of a double sided bracket for a light assembly incorporating the new design; FIG. 2 is a bottom right perspective view thereof; FIG. 3 is front view thereof, the back view being the same; FIG. 4 is a top view thereof; FIG. 5 is a bottom view thereof; FIG. 6 is a bottom view thereof a double sided bracket for a light assembly incorporating the new design; FIG. 7 is a bottom left perspective view of a double sided bracket for a light assembly incorporating the new design; and, FIG. 8 illustrates a bottom left perspective view a double sided bracket for a light assembly incorporating the new design.

The broken lines showing are for illustrative purposes only and do not form part of the claimed design.

1 Claim, 8 Drawing Sheets

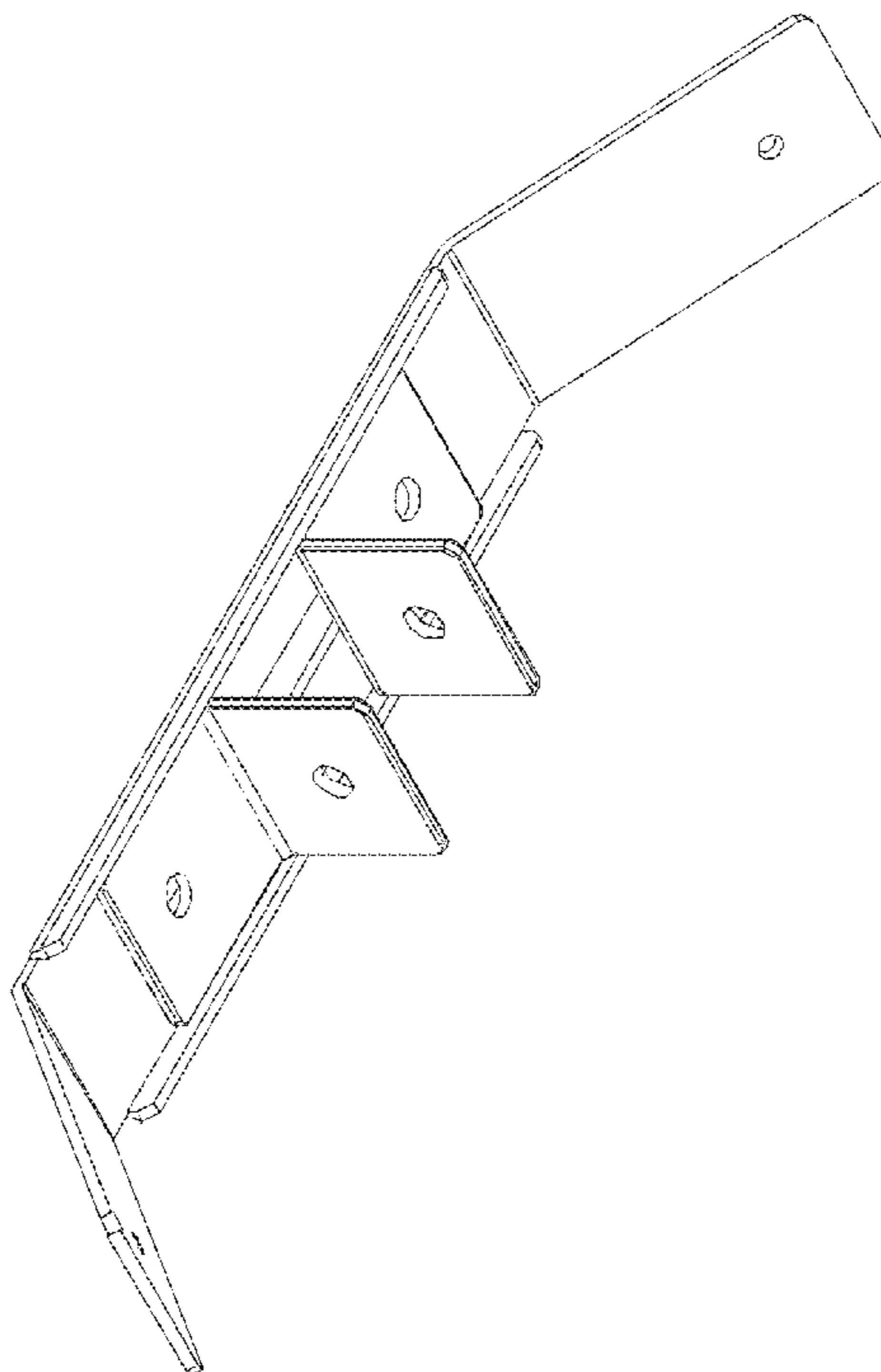


Figure 1

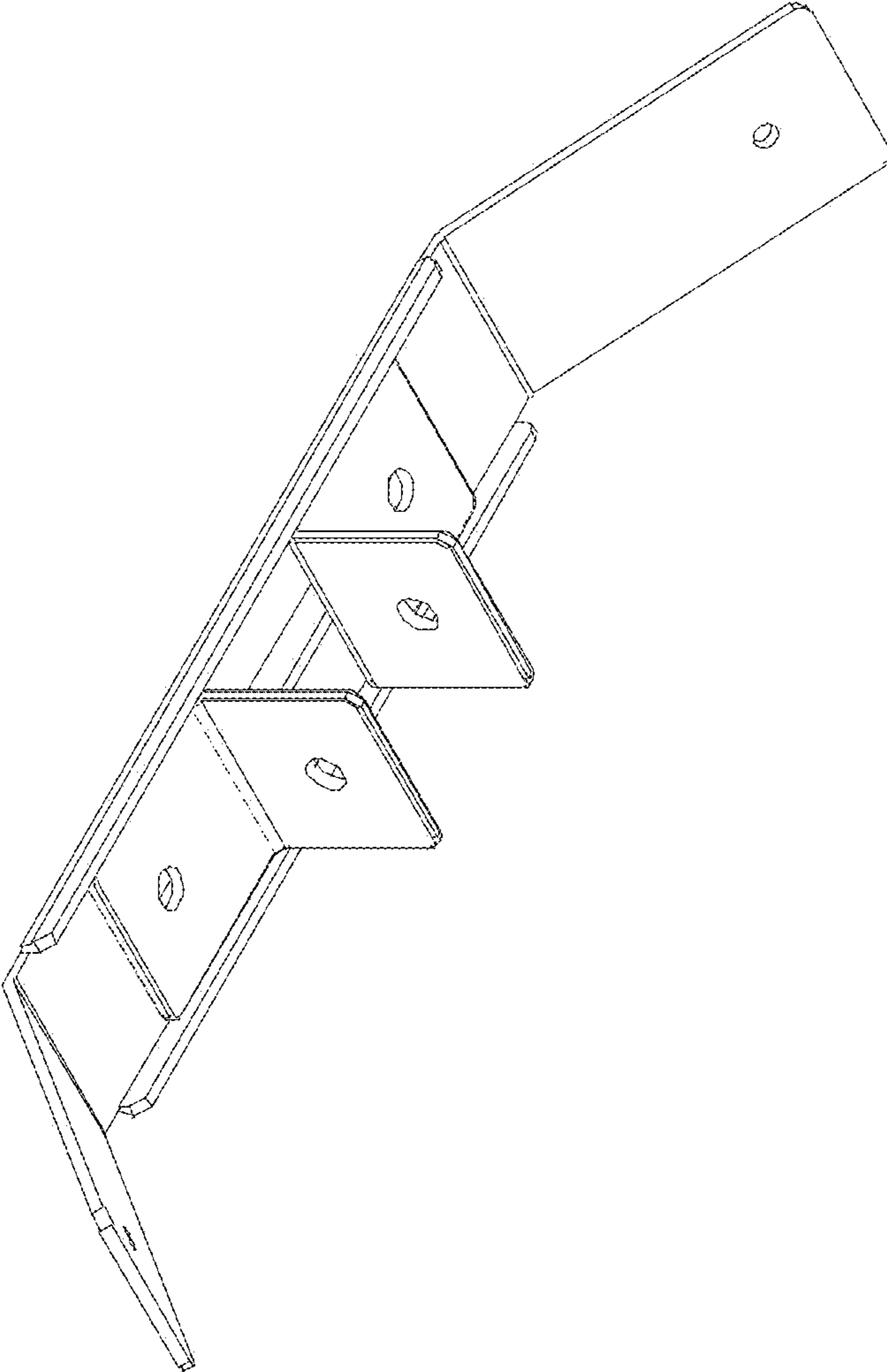


Figure 2

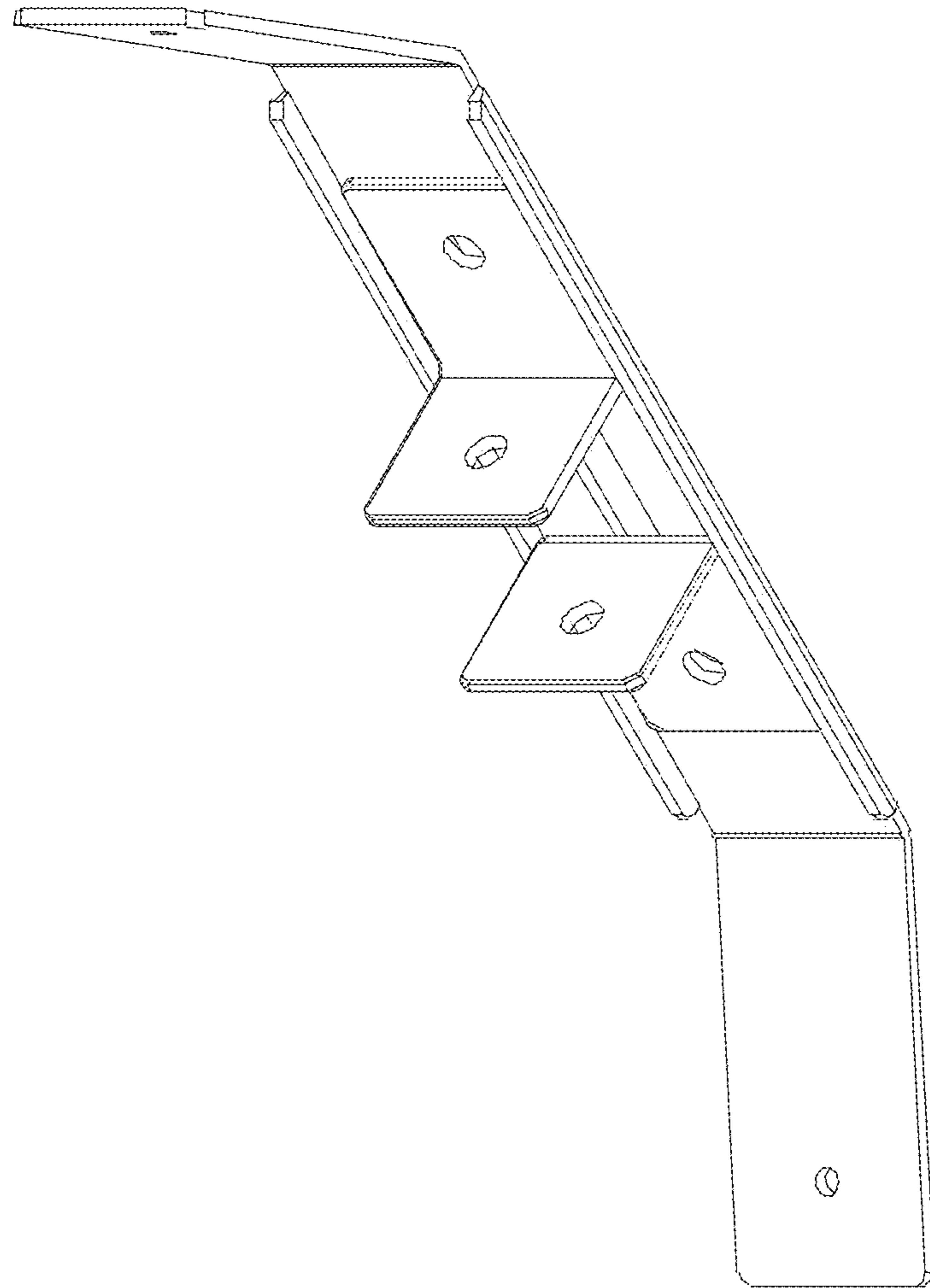


Figure 3

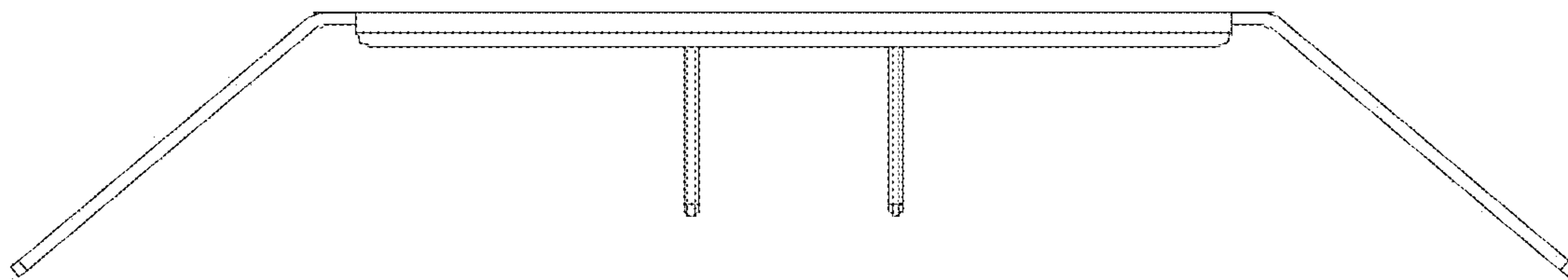


Figure 4

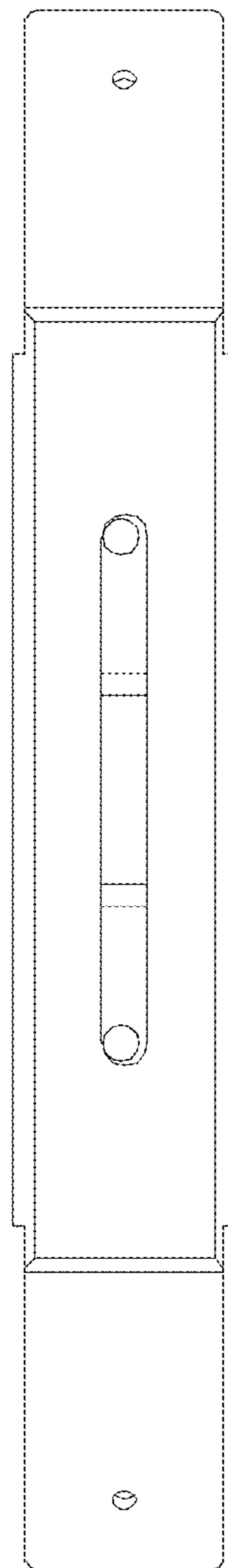


Figure 5

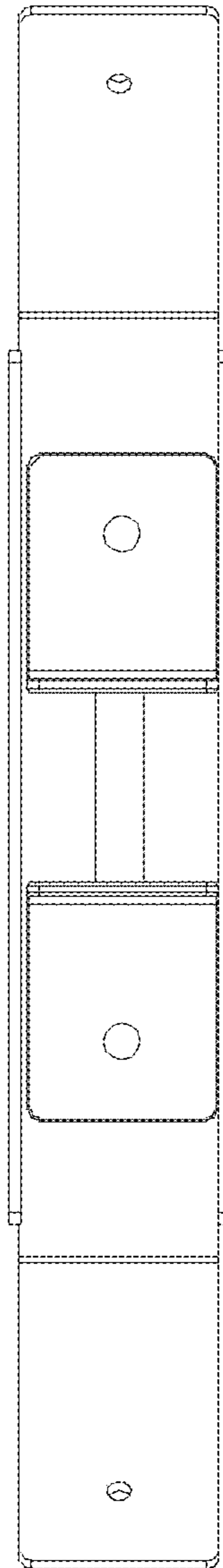


Figure 6

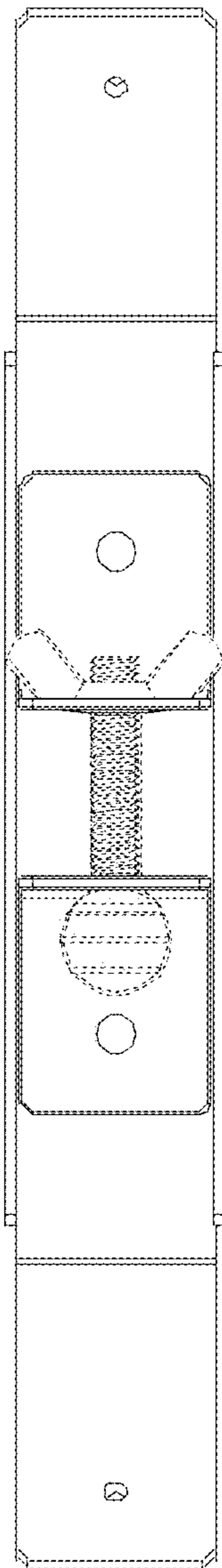


Figure 7

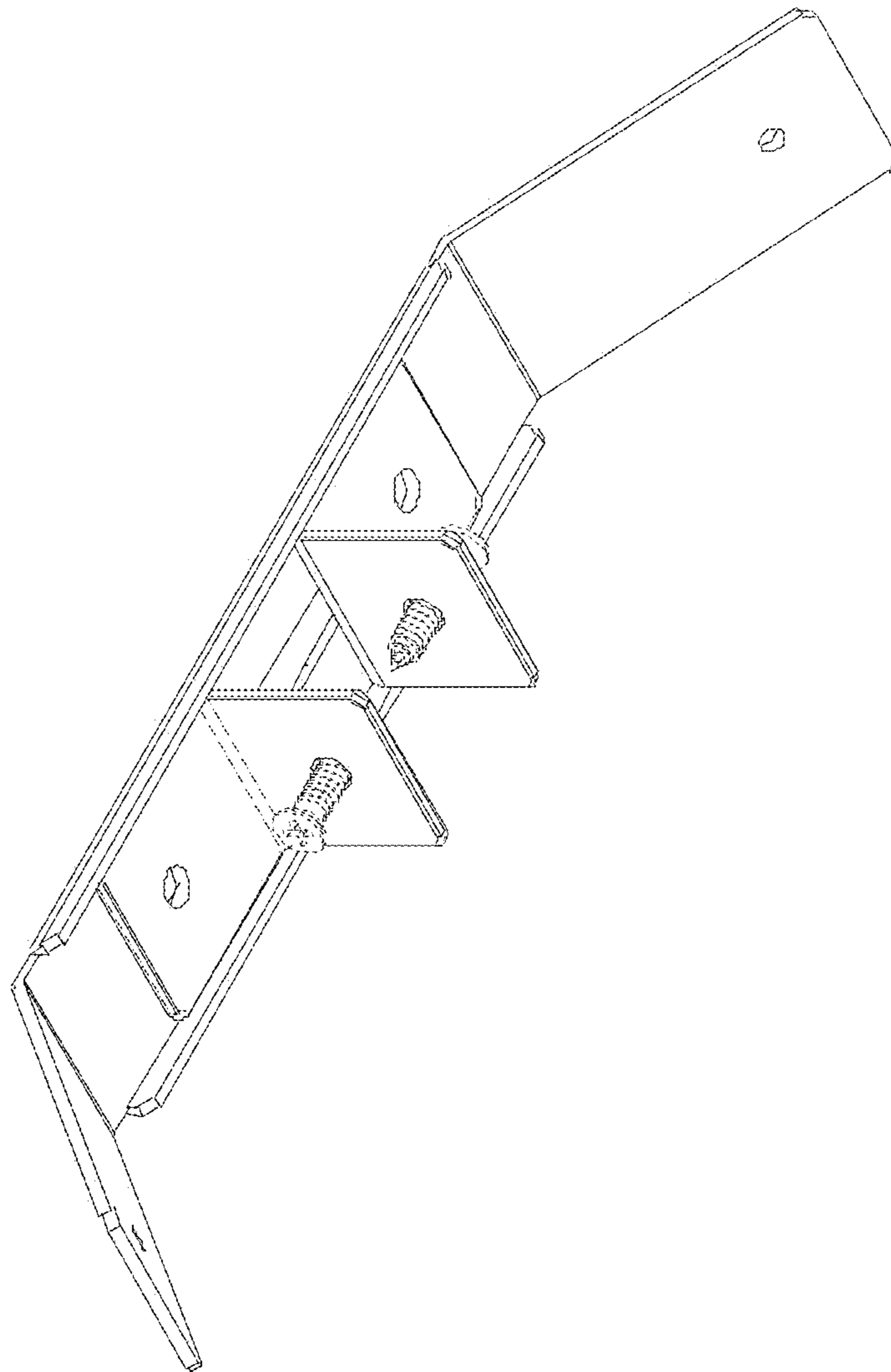


Figure 8

