



US00D888322S

(12) **United States Design Patent** (10) **Patent No.:** **US D888,322 S**
Paredes et al. (45) **Date of Patent:** **** Jun. 23, 2020**

(54) **SECURITY LIGHT**

- (71) Applicant: **HeathCo LLC**, Bowling Green, KY (US)
- (72) Inventors: **Apollo Paul Paredes**, Livonia, MI (US); **Leeman Elliot Stevens**, Bowling Green, KY (US); **Amer Salihovic**, Bowling Green, KY (US); **Scott Blaise Tylicki**, Bowling Green, KY (US)
- (73) Assignee: **HEATHCO LLC**, Bowling Green, KY (US)
- (**) Term: **15 Years**
- (21) Appl. No.: **29/718,094**
- (22) Filed: **Dec. 20, 2019**

Related U.S. Application Data

- (62) Division of application No. 29/697,805, filed on Jul. 11, 2019, now Pat. No. Des. 878,666, which is a division of application No. 29/627,097, filed on Nov. 22, 2017, now Pat. No. Des. 854,230.
- (51) **LOC (12) Cl.** **26-99**
- (52) **U.S. Cl.**
USPC **D26/118**
- (58) **Field of Classification Search**
USPC D26/24, 51, 61, 63, 65, 72, 80, 118, 120, D26/128
CPC F21S 8/04; F21S 8/00; F21V 21/00; F21V 17/02; F21V 14/02; F21V 21/30; F21V 21/14; F21V 21/26; F21W 2131/10
See application file for complete search history.

(56) **References Cited**

U.S. PATENT DOCUMENTS

D670,022 S *	10/2012	Green	D26/128
D708,388 S *	7/2014	Lee	D26/120
D759,291 S *	6/2016	Chen	D26/120
D761,474 S *	7/2016	Chen	D26/65
D764,700 S *	8/2016	Chen	D26/118
D781,481 S *	3/2017	Chen	D26/65
D784,589 S *	4/2017	Chen	D26/65
D804,075 S *	11/2017	Fang	D26/65
D821,021 S *	6/2018	Chen	D26/120

* cited by examiner

Primary Examiner — Brian N. Vinson

(74) *Attorney, Agent, or Firm* — Middleton Reutlinger

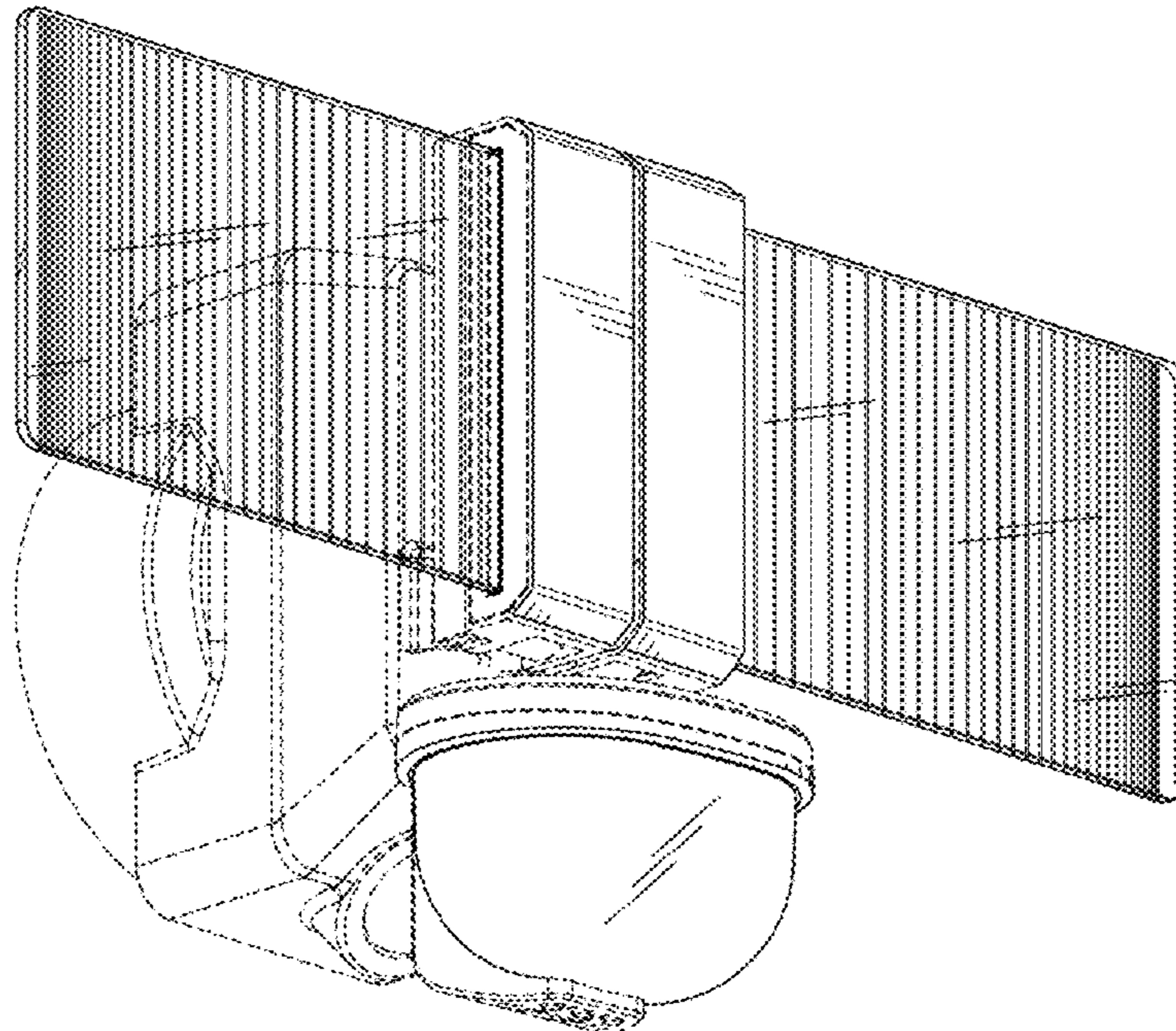
(57) **CLAIM**

The ornamental design for a security light, as shown and described.

DESCRIPTION

FIG. 1 is a lower perspective view of an embodiment of a security light showing the new design; FIG. 2 is a rear perspective view of the security light design of FIG. 1; FIG. 3 is a front view of the security light design of FIG. 1; FIG. 4 is a rear view of the security light design of FIG. 1; FIG. 5 is a top view of the security light design of FIG. 1; FIG. 6 is a bottom view of the security light design of FIG. 1; FIG. 7 is a left side view of the security light design of FIG. 1; and, FIG. 8 is a right side view of the security light design of FIG. 1. The broken lines represent unclaimed portions of the security light.

1 Claim, 8 Drawing Sheets



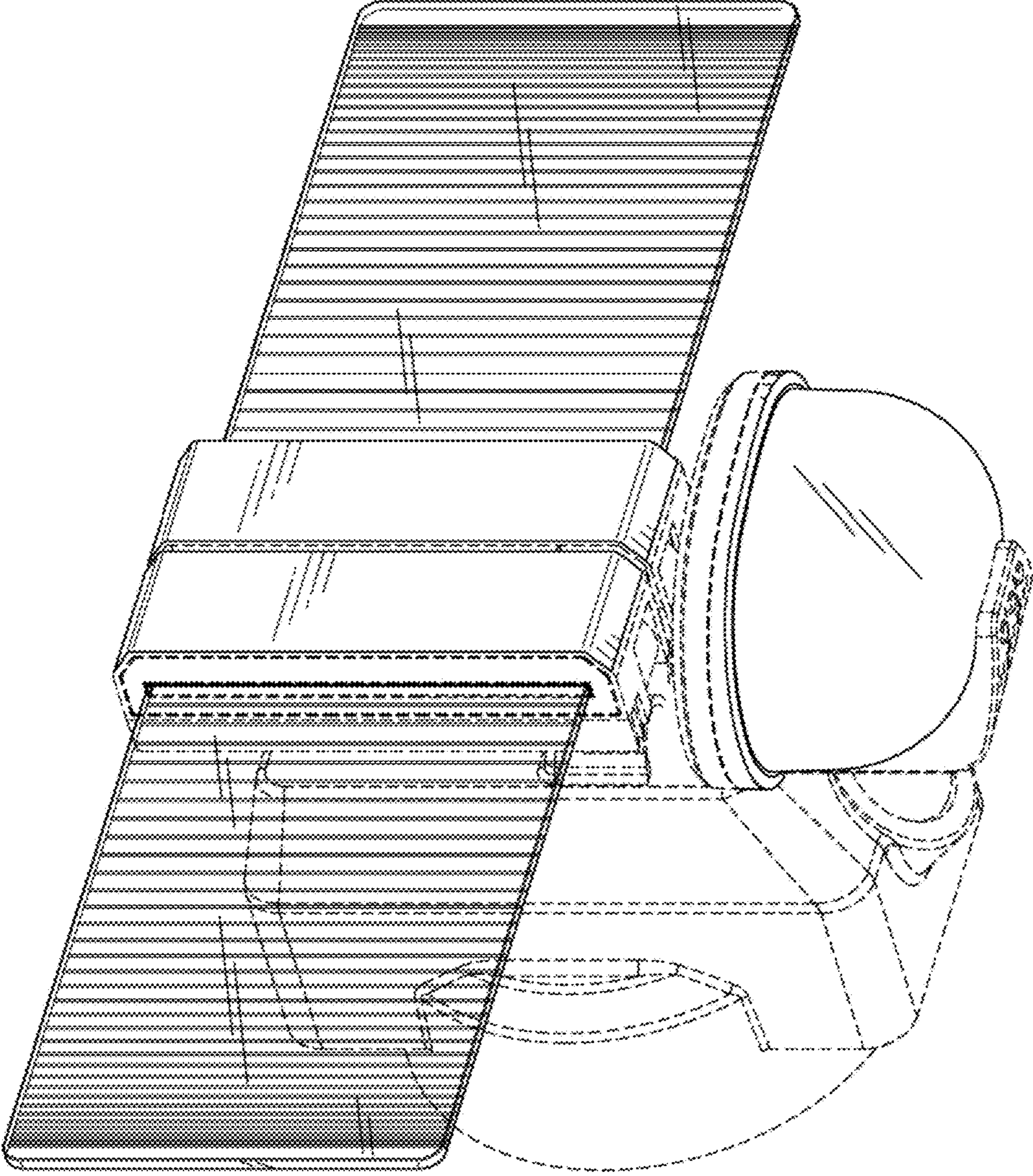


FIG. 1

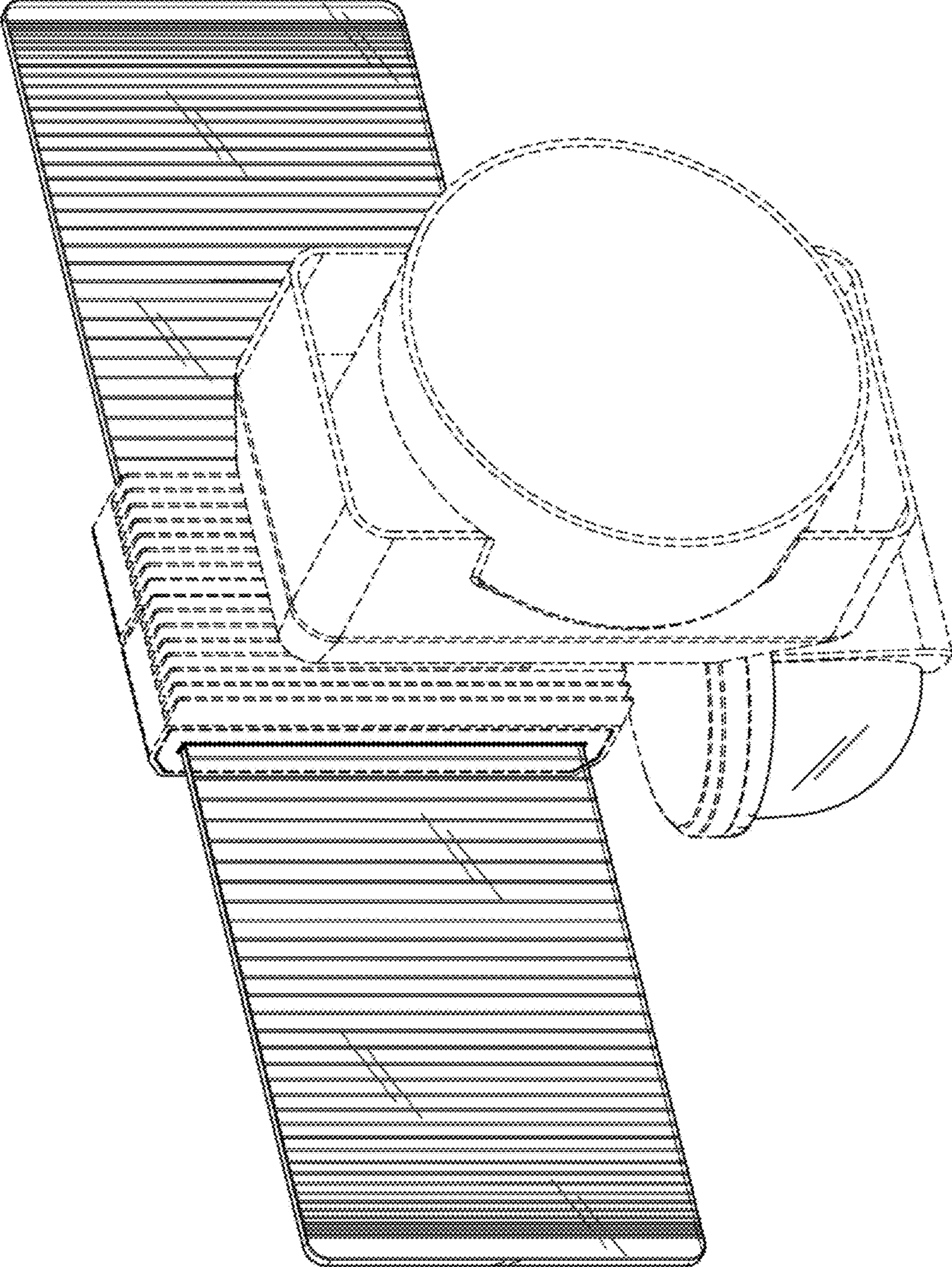


FIG. 2

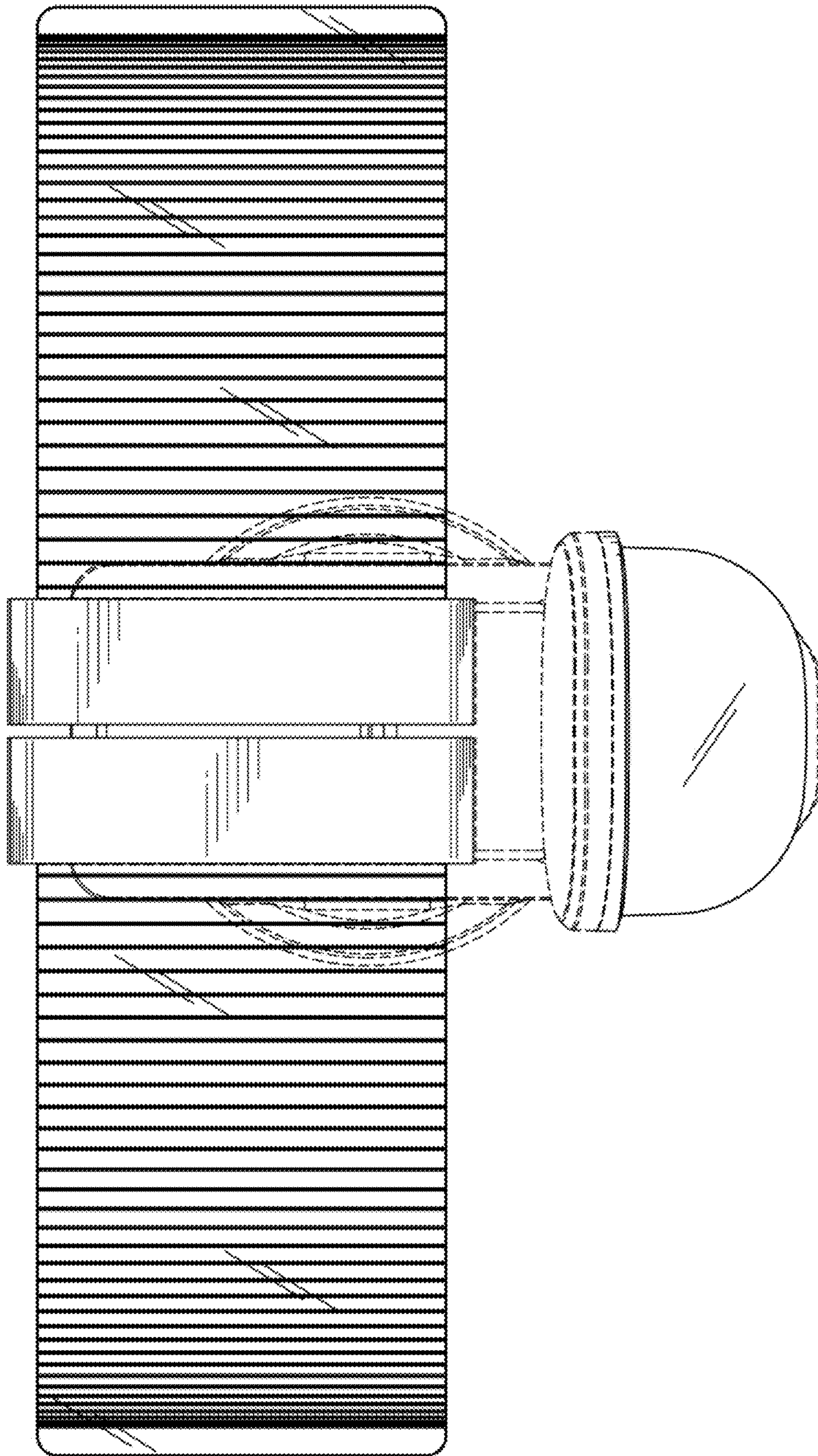


FIG. 3

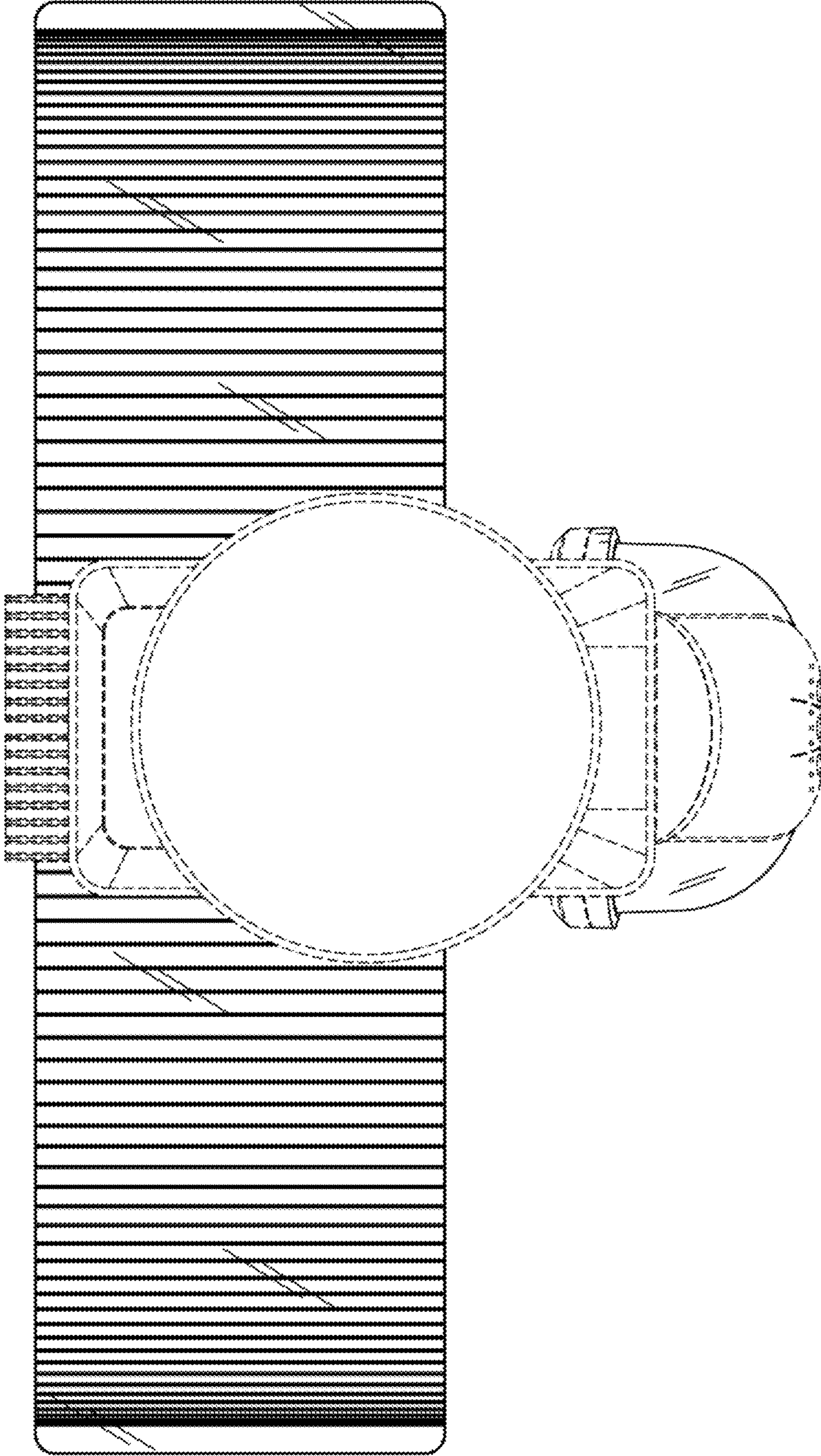


FIG. 4

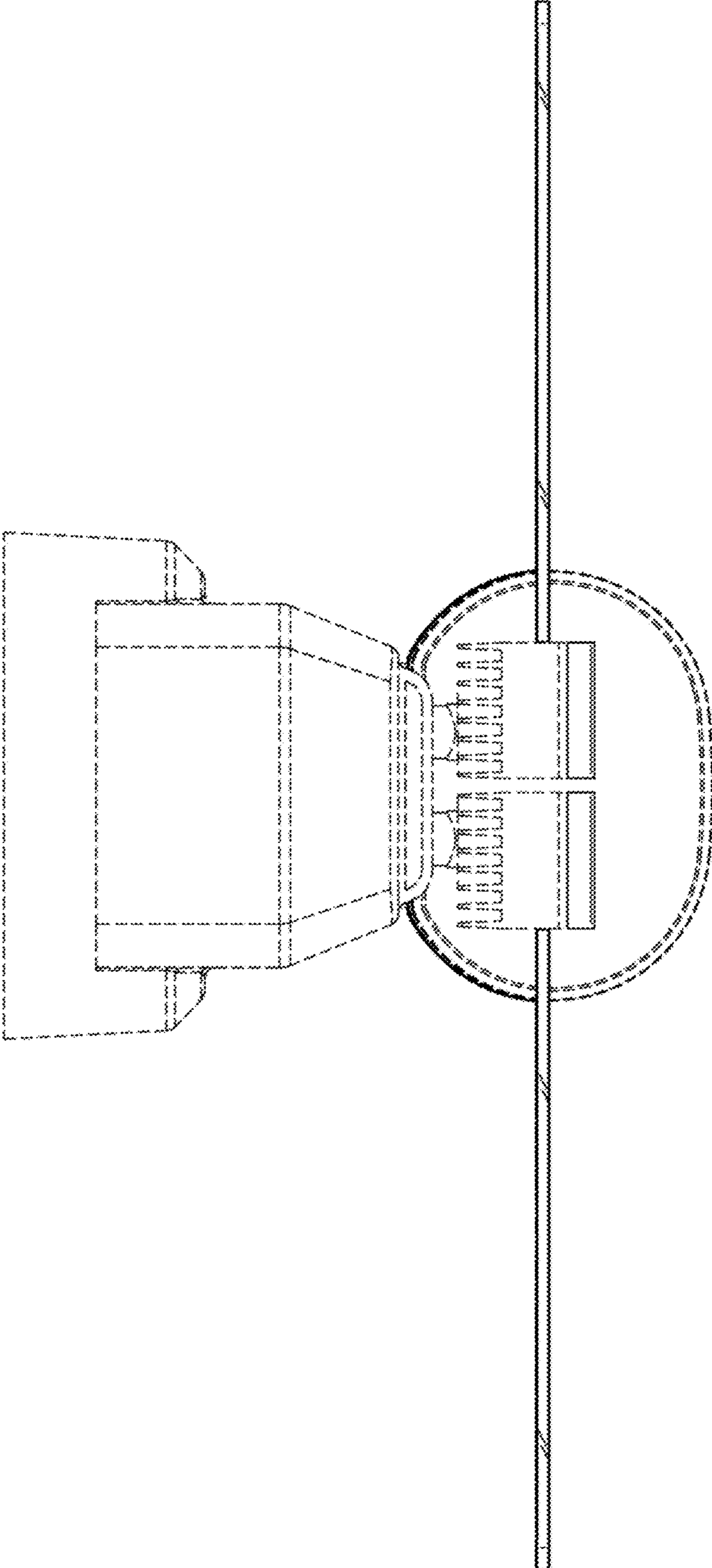


FIG. 5

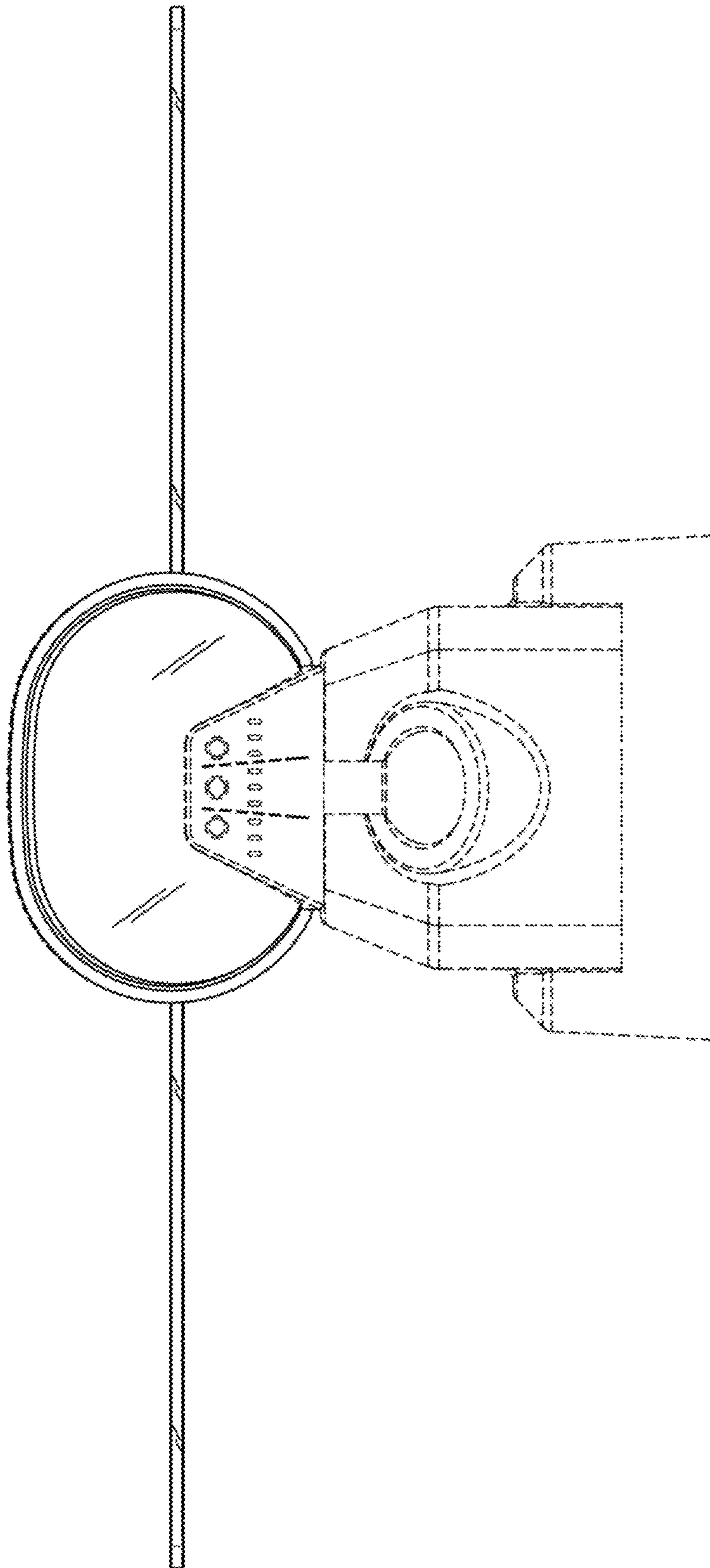


FIG. 6

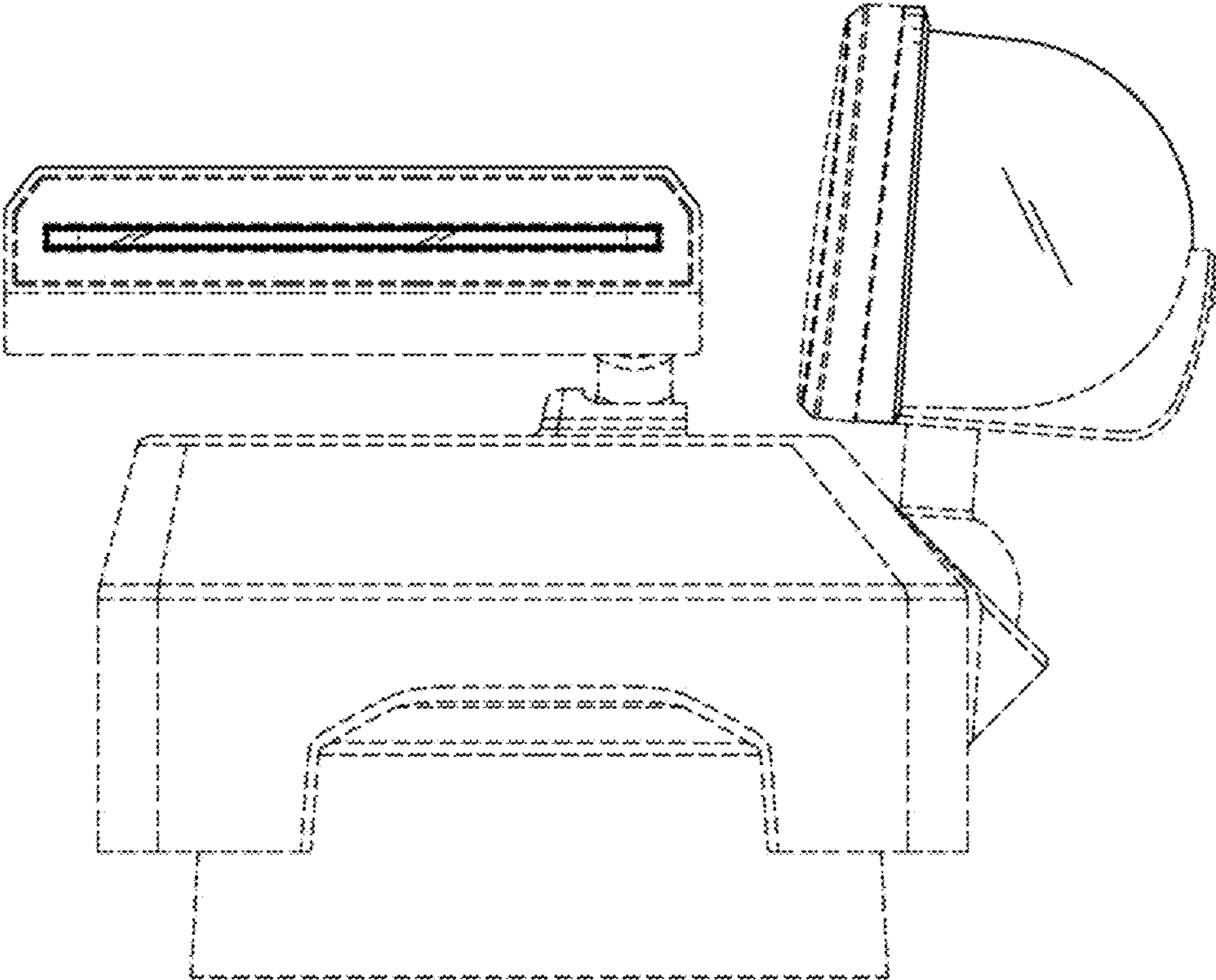


FIG. 7

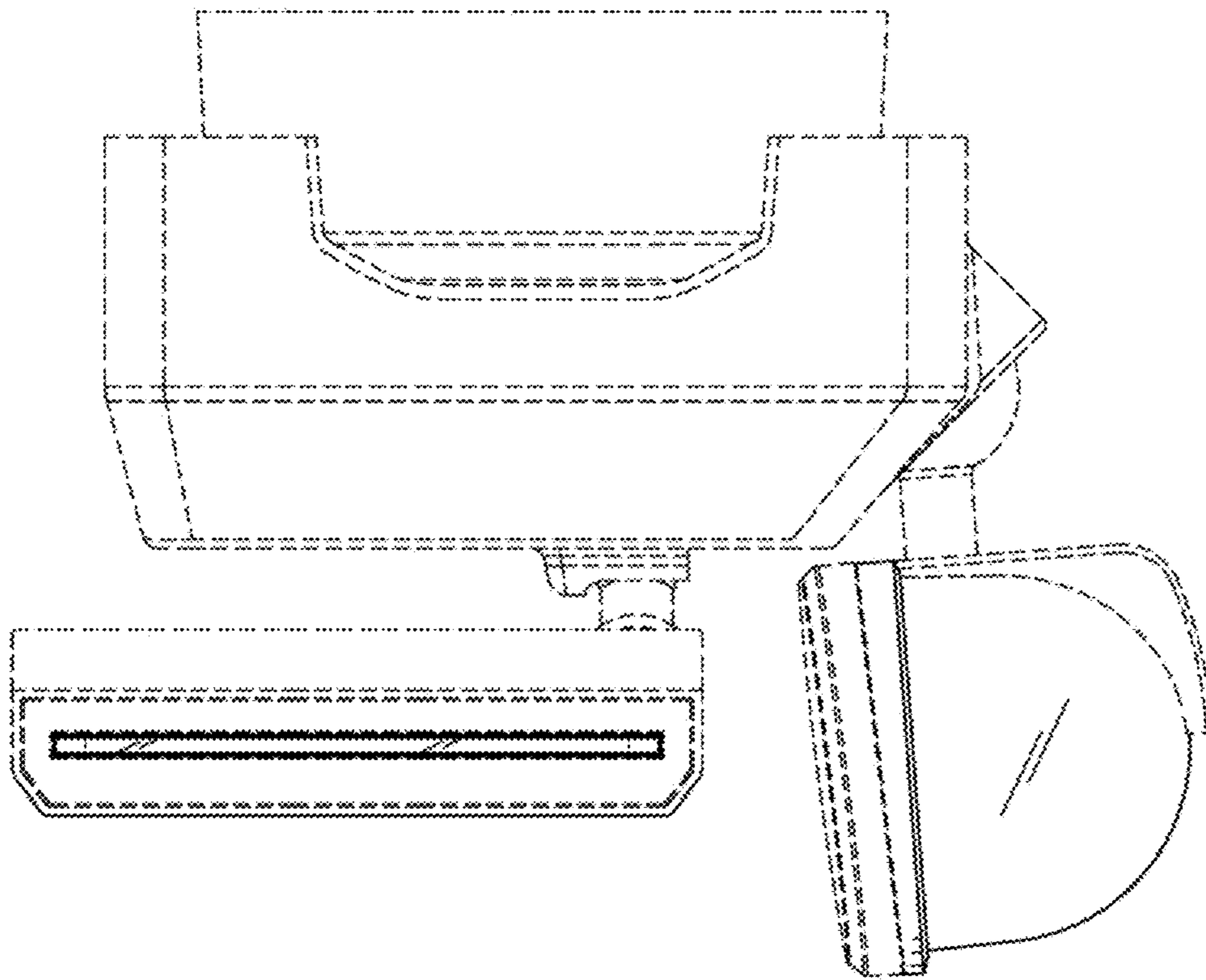


FIG. 8