



US00D888320S

(12) **United States Design Patent** (10) **Patent No.:** **US D888,320 S**
Brannon (45) **Date of Patent:** **** Jun. 23, 2020**

- (54) **ENCLOSED LIGHTING DEVICE**
- (71) Applicant: **Hubbell Incorporated**, Shelton, CT (US)
- (72) Inventor: **Derek Brannon**, Greenville, SC (US)
- (73) Assignee: **Hubbell Incorporated**, Shelton, CT (US)
- (**) Term: **15 Years**
- (21) Appl. No.: **29/690,801**
- (22) Filed: **May 10, 2019**

D574,992 S	8/2008	Citterio	
D620,182 S	7/2010	Sabernig	
D635,288 S	3/2011	Zolotykh	
7,988,327 B1	8/2011	Knoble	
D653,795 S *	2/2012	Guercio	D26/119
D673,319 S *	12/2012	Guercio	D26/87
D729,429 S	5/2015	Arndt	
D729,432 S	5/2015	Newton	
D739,586 S	9/2015	Hong	
D767,195 S	9/2016	Pollack, Jr.	
D821,017 S	6/2018	Brannon	
10,145,555 B2	12/2018	Ohai	
D858,863 S *	9/2019	Deng	D26/119
2012/0080992 A1	4/2012	Huang	
2012/0195041 A1	8/2012	Fletcher	

- Related U.S. Application Data**
- (62) Division of application No. 29/653,724, filed on Jun. 18, 2018, now Pat. No. Des. 851,809, which is a division of application No. 29/587,457, filed on Dec. 13, 2016, now Pat. No. Des. 821,017.
 - (51) **LOC (12) Cl.** **26-05**
 - (52) **U.S. Cl.**
USPC **D26/89**; D26/119
 - (58) **Field of Classification Search**
USPC D26/72, 80-89, 92, 119
CPC F21S 8/033; F21S 8/036; F21S 8/038;
F21W 2121/004; F21W 2131/107; F21V
15/02; F21V 29/74; F21V 29/77
See application file for complete search history.

- (56) **References Cited**
U.S. PATENT DOCUMENTS
D92,636 S 6/1934 Wideroe
2,259,237 A 10/1941 Baker
3,004,144 A 10/1961 Agrell
D359,139 S 6/1995 Kaczmarek
D487,525 S 3/2004 Hsu
D538,461 S 3/2007 Broughton
D541,973 S * 5/2007 Dolan D26/87

OTHER PUBLICATIONS

LED Vapor Proof Jelly Jar Light Fixture, Super Bright LEDs, site visited Jan. 9, 2018, available online at <https://www.superbrightleds.com/...ghting/led-vapor-proof-jelly-jar-light-fixture-caged-pendant-mount-light-1800-lumens/4285/#tab/Reviews> (Year: 2018).

* cited by examiner

Primary Examiner — Cathron C Brooks
(74) *Attorney, Agent, or Firm* — Michael Best & Friedrich, LLP

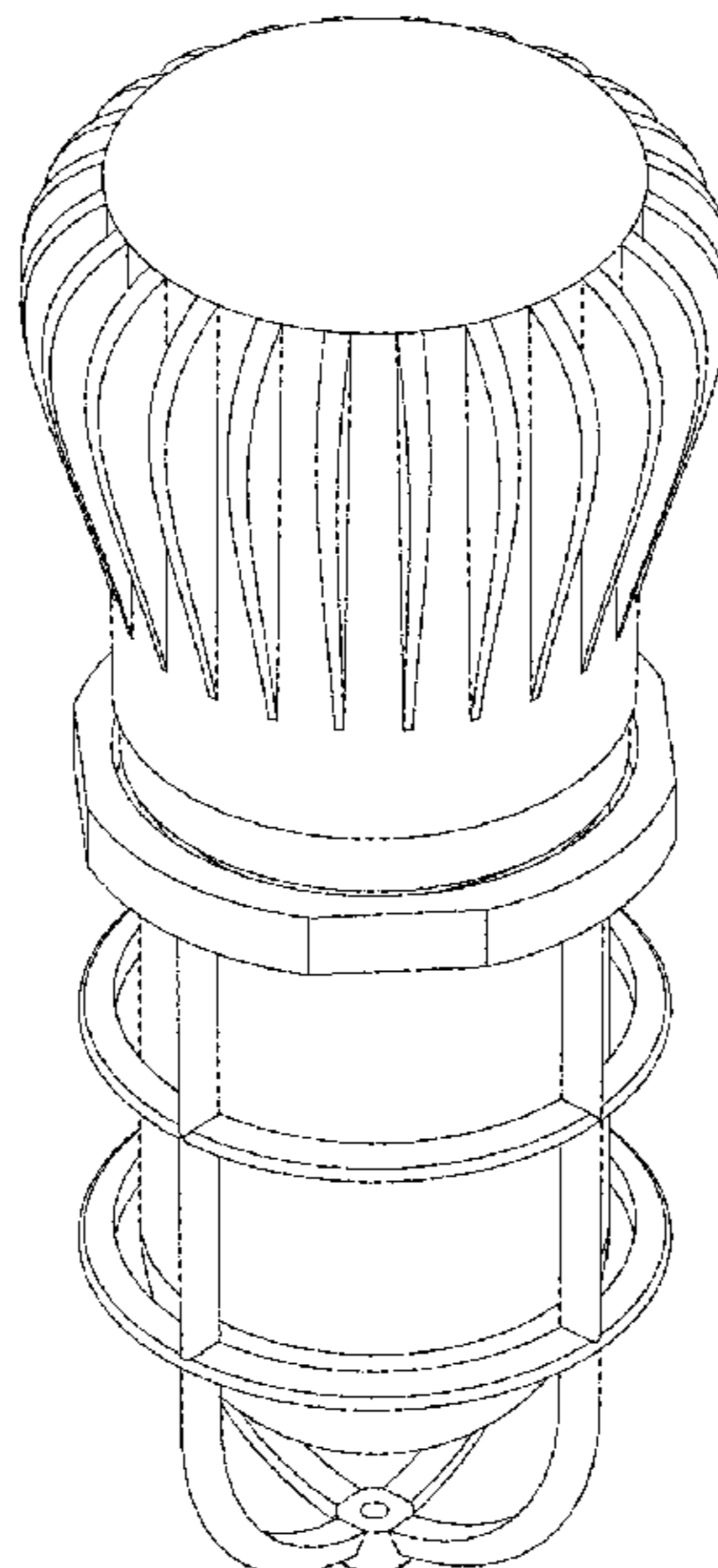
(57) **CLAIM**

The ornamental design for an enclosed lighting device, as shown and described.

DESCRIPTION

FIG. 1 is a perspective view of the design;
FIG. 2 is a front view of FIG. 1, with the right and left side views being identical thereto;
FIG. 3 is a top view of FIG. 1; and,
FIG. 4 is a bottom view of FIG. 1.

1 Claim, 3 Drawing Sheets



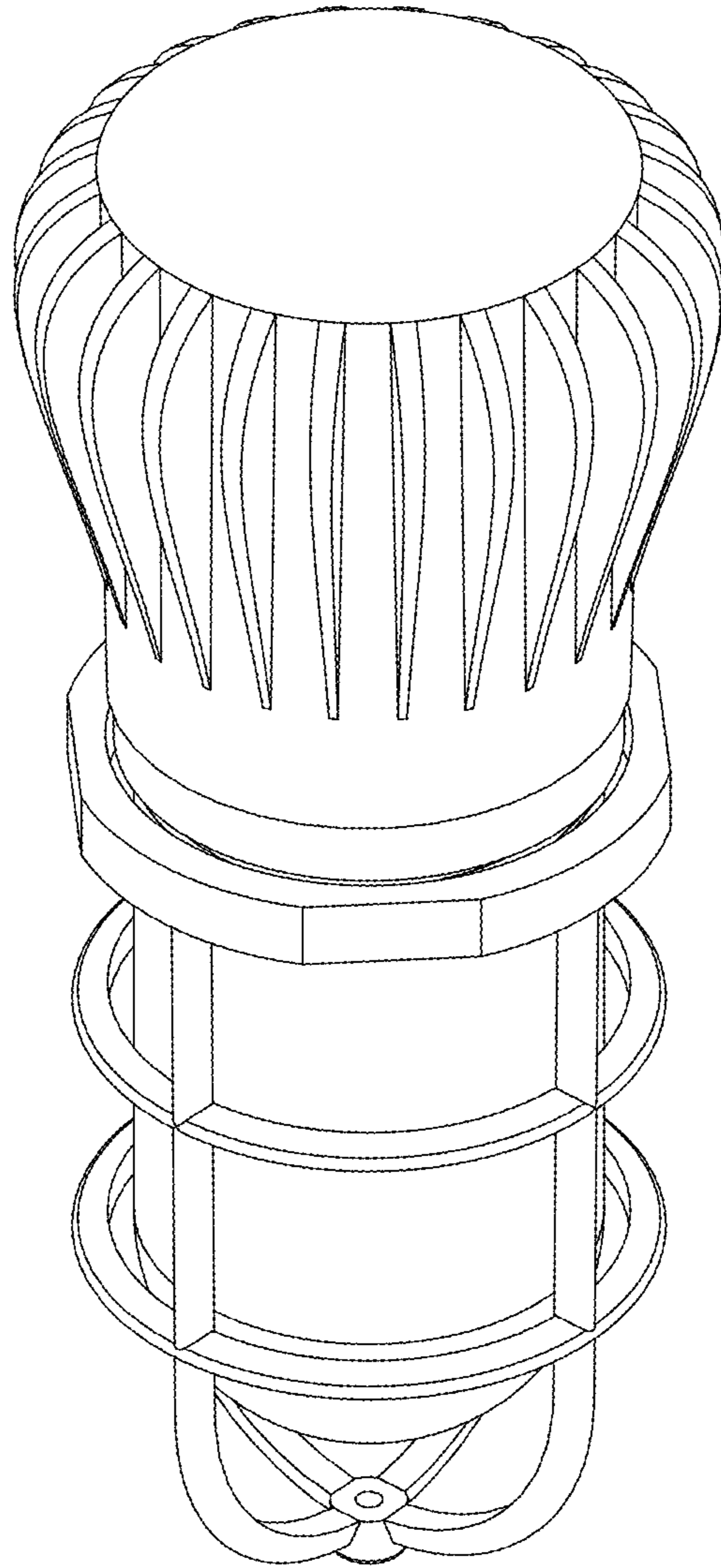


FIG. 1

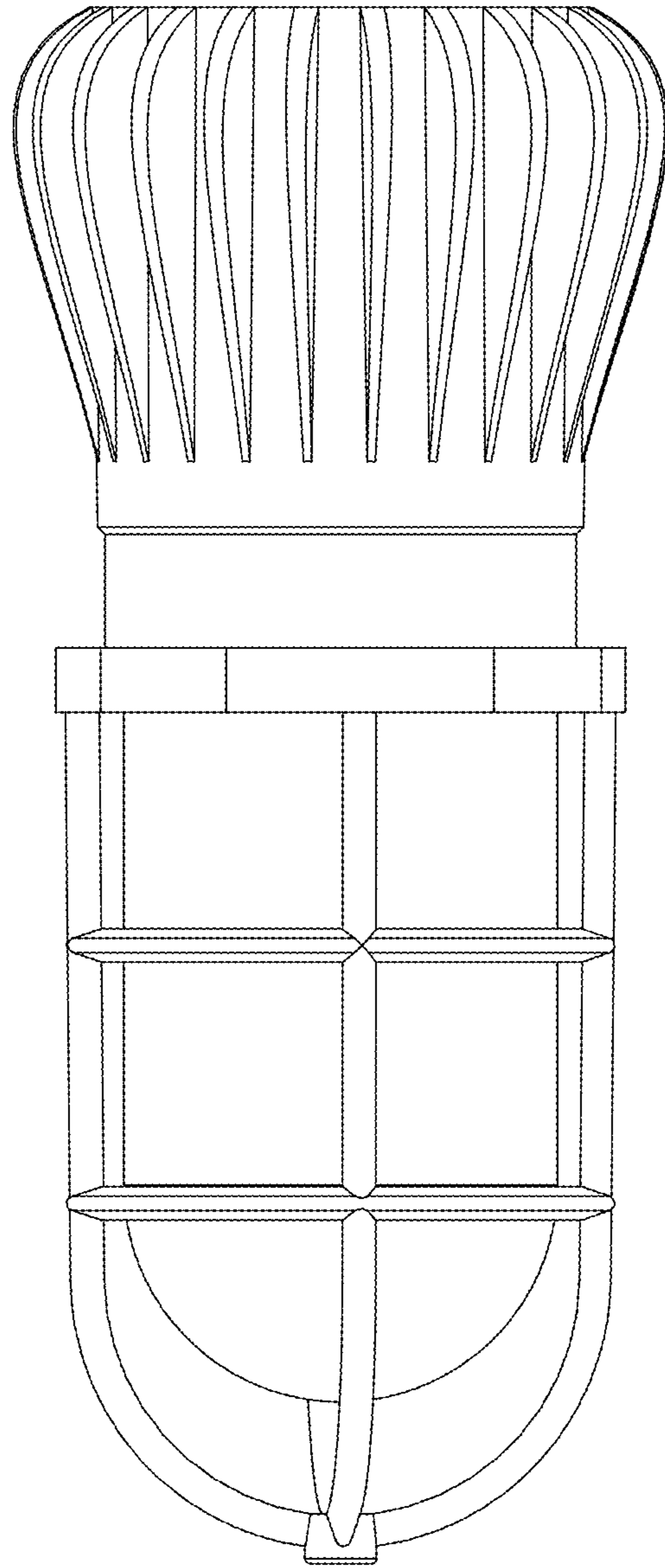


FIG. 2

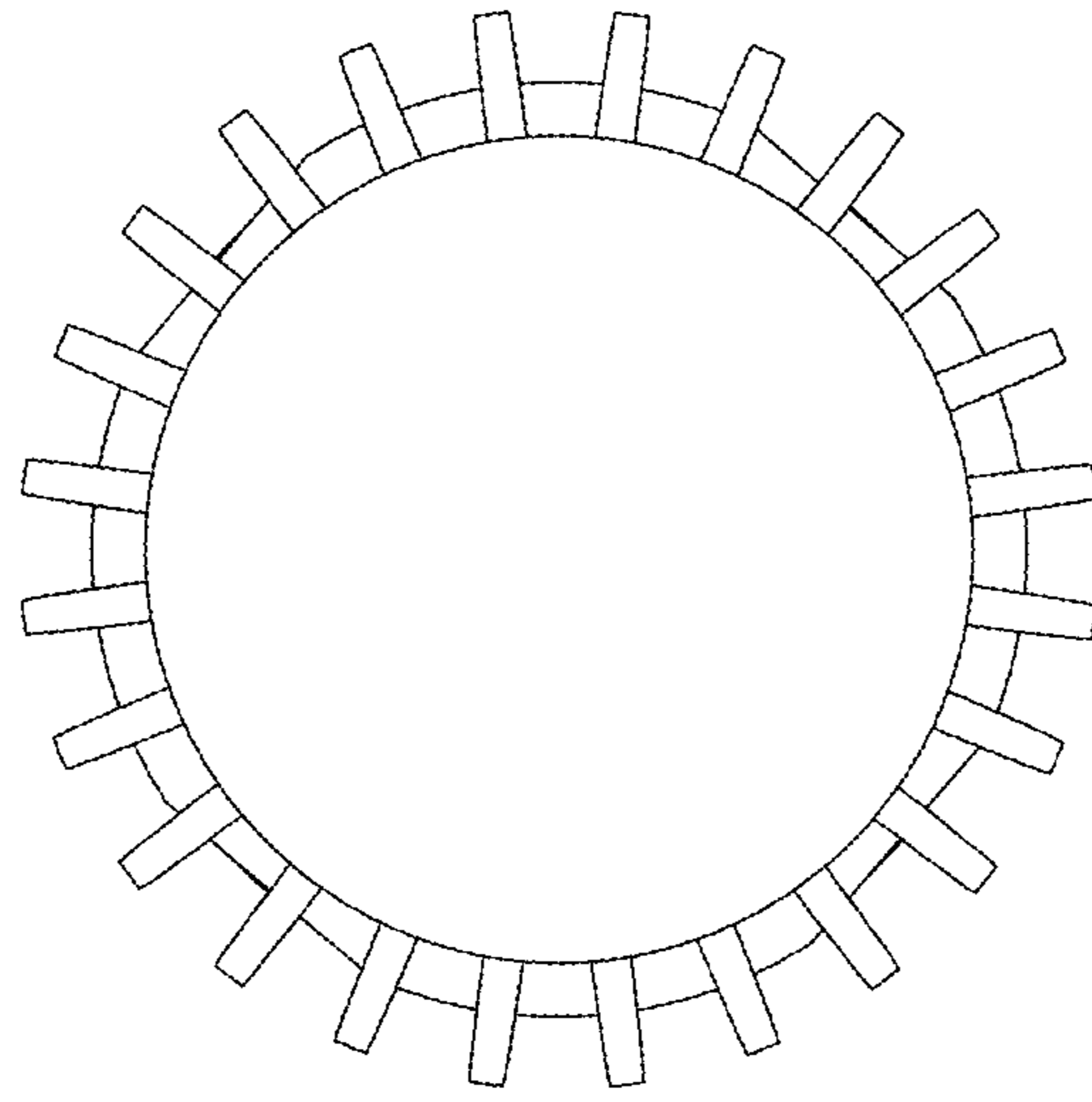


FIG. 3

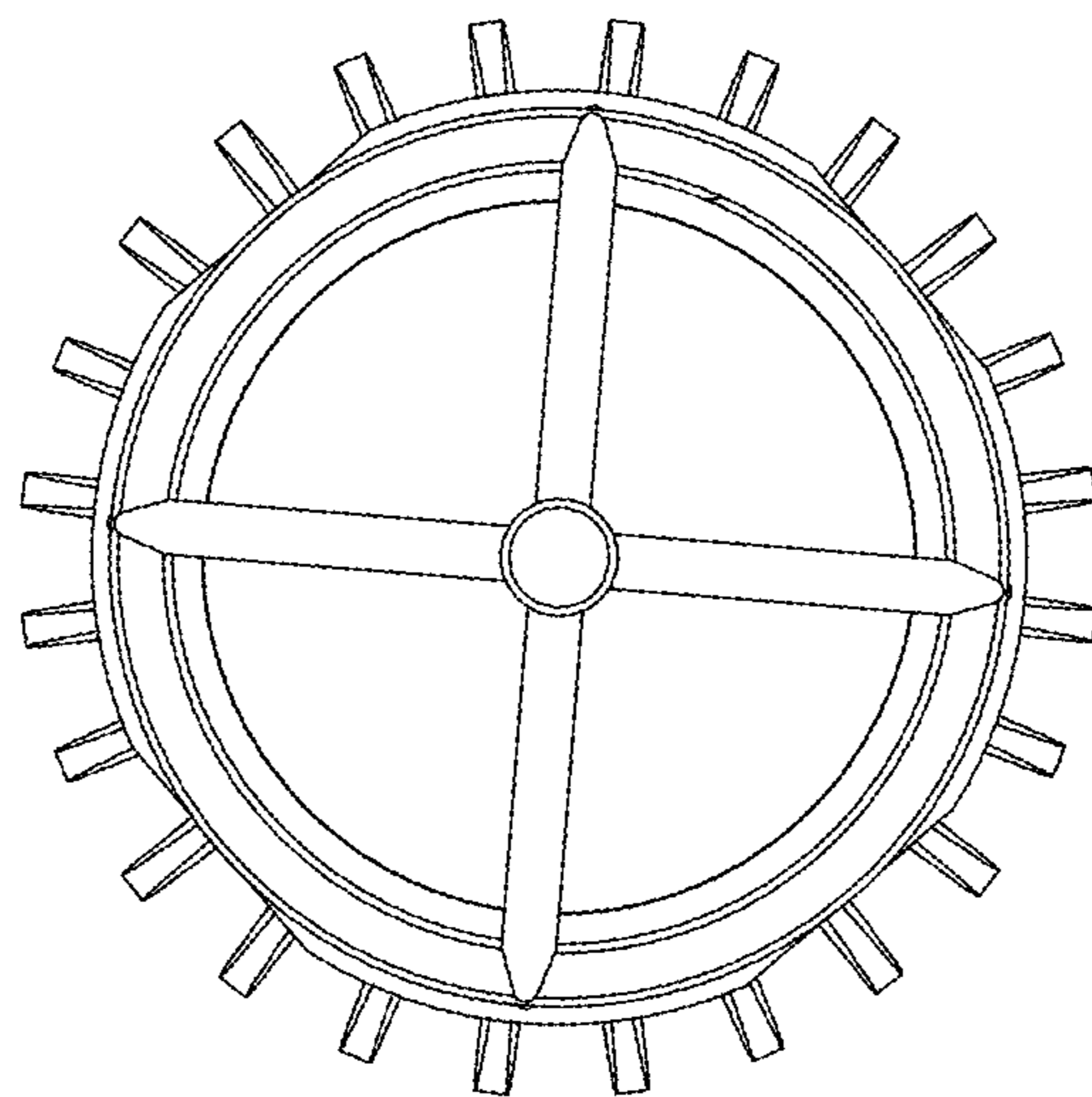


FIG. 4