



US00D888319S

(12) **United States Design Patent**
Amato et al.

(10) **Patent No.:** **US D888,319 S**
(45) **Date of Patent:** **** Jun. 23, 2020**

(54) **LIGHTING FIXTURE**

(71) Applicant: **The Urban Electric Company**, North Charleston, SC (US)

(72) Inventors: **Michael Amato**, London (GB); **David Dawson**, Charleston, SC (US); **Jonathan Charpia**, Summerville, SC (US); **Joeangel Casanova**, Brooklyn, NY (US); **Brianna Magagnoli**, North Charleston, SC (US); **Janis Golubeckis**, Mount Pleasant, SC (US)

(73) Assignee: **The Urban Electric Company**, North Charleston, SC (US)

(**) Term: **15 Years**

(21) Appl. No.: **29/685,040**

(22) Filed: **Mar. 26, 2019**

(51) **LOC (12) Cl.** **26-03**

(52) **U.S. Cl.**
USPC **D26/87**

(58) **Field of Classification Search**
USPC D26/72, 80, 85, 86, 87, 92, 155
CPC .. F21S 8/033; F21S 8/035; F21S 8/036; F21S 8/046

See application file for complete search history.

(56) **References Cited**

U.S. PATENT DOCUMENTS

D43,203	S	*	10/1912	Phinney	D26/87
D54,431	S	*	2/1920	Macbeth	D26/87
2,280,402	A	*	4/1942	Greppin	F21V 11/00 362/293
D379,547	S	*	5/1997	Tognu'	D26/92
D383,239	S	*	9/1997	Porter	D26/87
D425,236	S	*	5/2000	Porter	D26/86
D436,418	S	*	1/2001	Porter	D26/80
D487,322	S	*	3/2004	Hsu	D26/92
D503,239	S	*	3/2005	Sonneman	D26/107
D573,750	S	*	7/2008	Starck	D26/87

7,988,327	B1	*	8/2011	Knoble	F21V 7/041 362/235
D818,177	S	*	5/2018	Amato	D26/87
D831,875	S	*	10/2018	Sperling	D26/87

OTHER PUBLICATIONS

OKLAK Light Fixture available online at thefancyplace.com as early as Apr. 23, 2019. (Year: 2019).*
Dark Sky Municipal Quality Street Light Fixture—Metal Halide. Seen at gotitwholesale.com Jan. 31, 2020. (Year: 2020).*
PHYVAL Nordic Wall Lamp Model No. PWL050 from aliexpress.com visited Jan. 31, 2020. (Year: 2020).*

* cited by examiner

Primary Examiner — Clare E Heflin

(74) *Attorney, Agent, or Firm* — Haynsworth Sinkler Boyd, P.A.

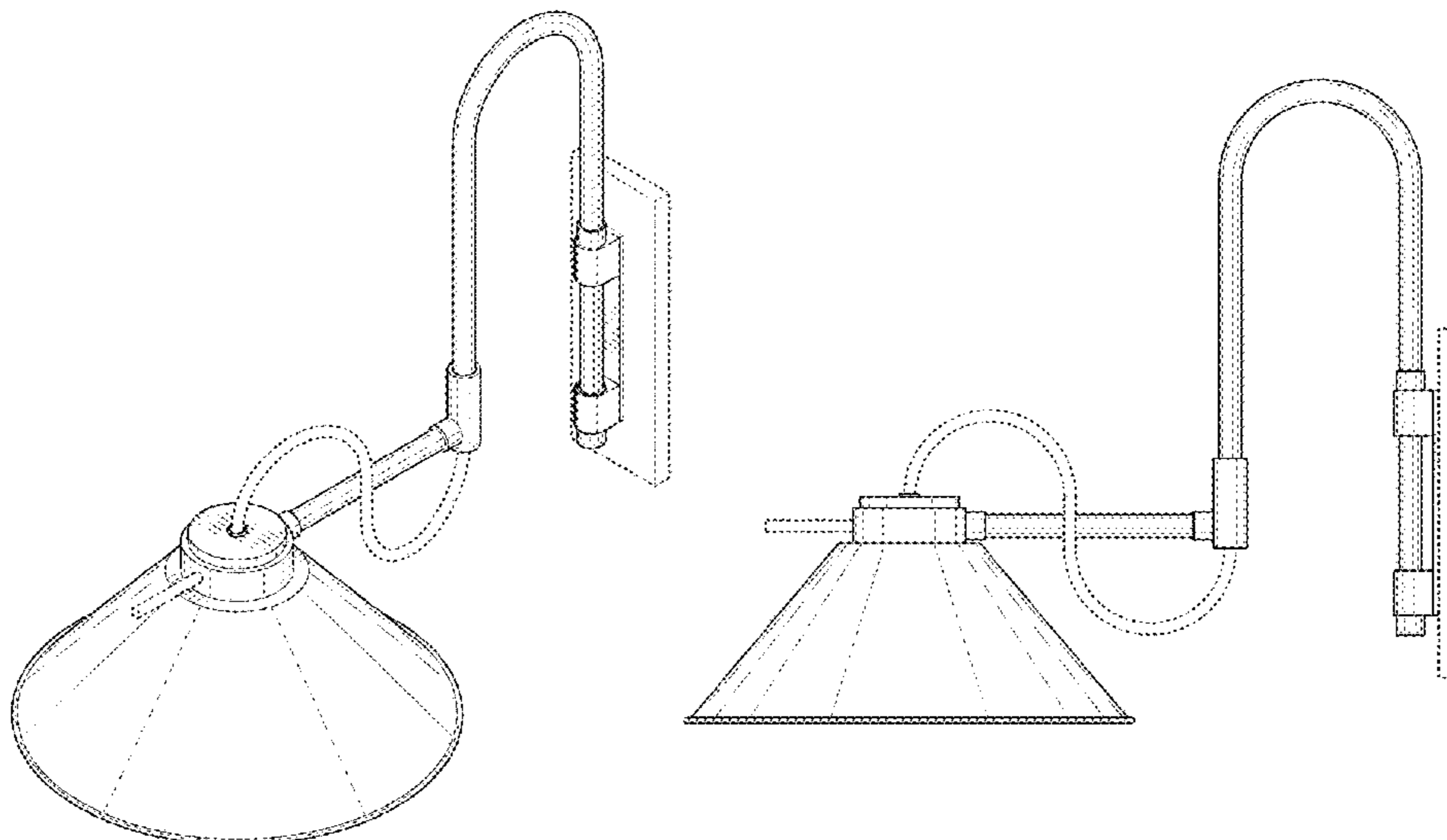
(57) **CLAIM**

The ornamental design for a lighting fixture, as shown and described.

DESCRIPTION

FIG. 1 is a front perspective view of a lighting fixture depicting a new design;
FIG. 2 is a back perspective view thereof;
FIG. 3 is a left elevational view thereof;
FIG. 4 is a right elevational view thereof;
FIG. 5 is a front elevational view thereof;
FIG. 6 is a back elevational view thereof;
FIG. 7 is a top plan view thereof; and,
FIG. 8 is a bottom plan view thereof.
The broken lines extending out beyond the perimeter of the fixture in FIGS. 3-4 and 7-8 are intended to demonstrate environment only and form no part of the claimed design. The remaining broken line disclosures in the views represent portions of the lighting fixture that form no part of the claimed design.

1 Claim, 8 Drawing Sheets



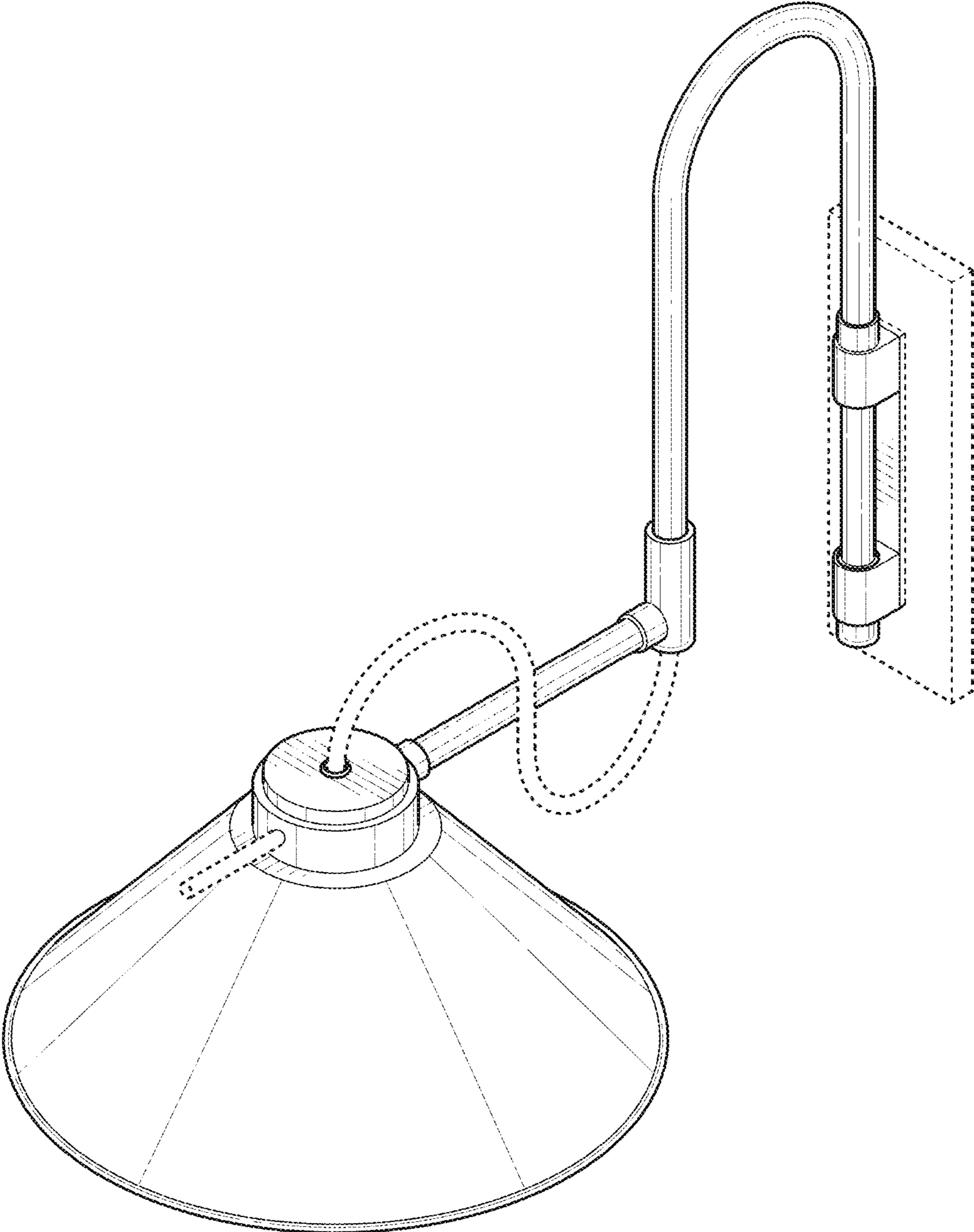


FIG. 1

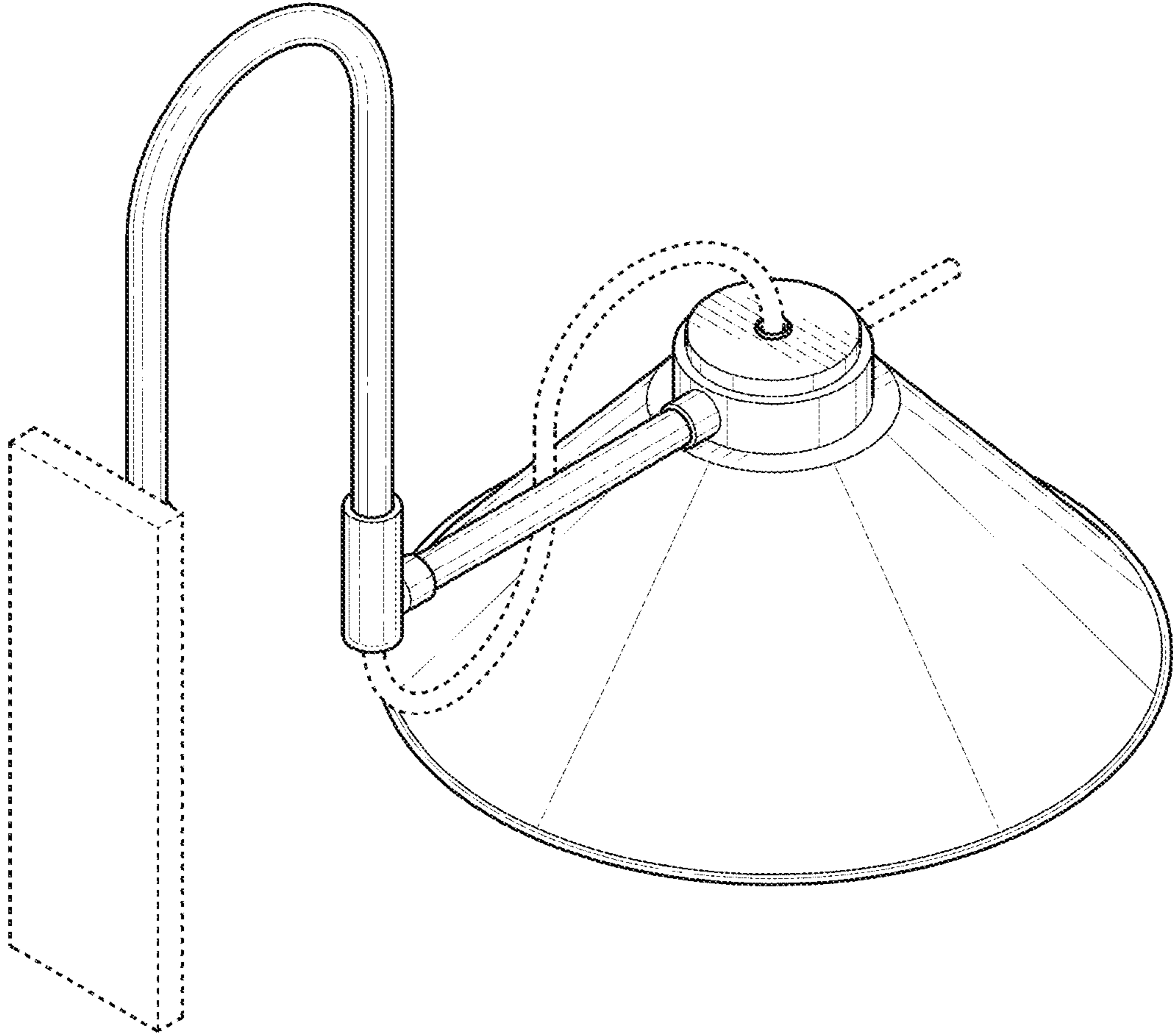


FIG. 2

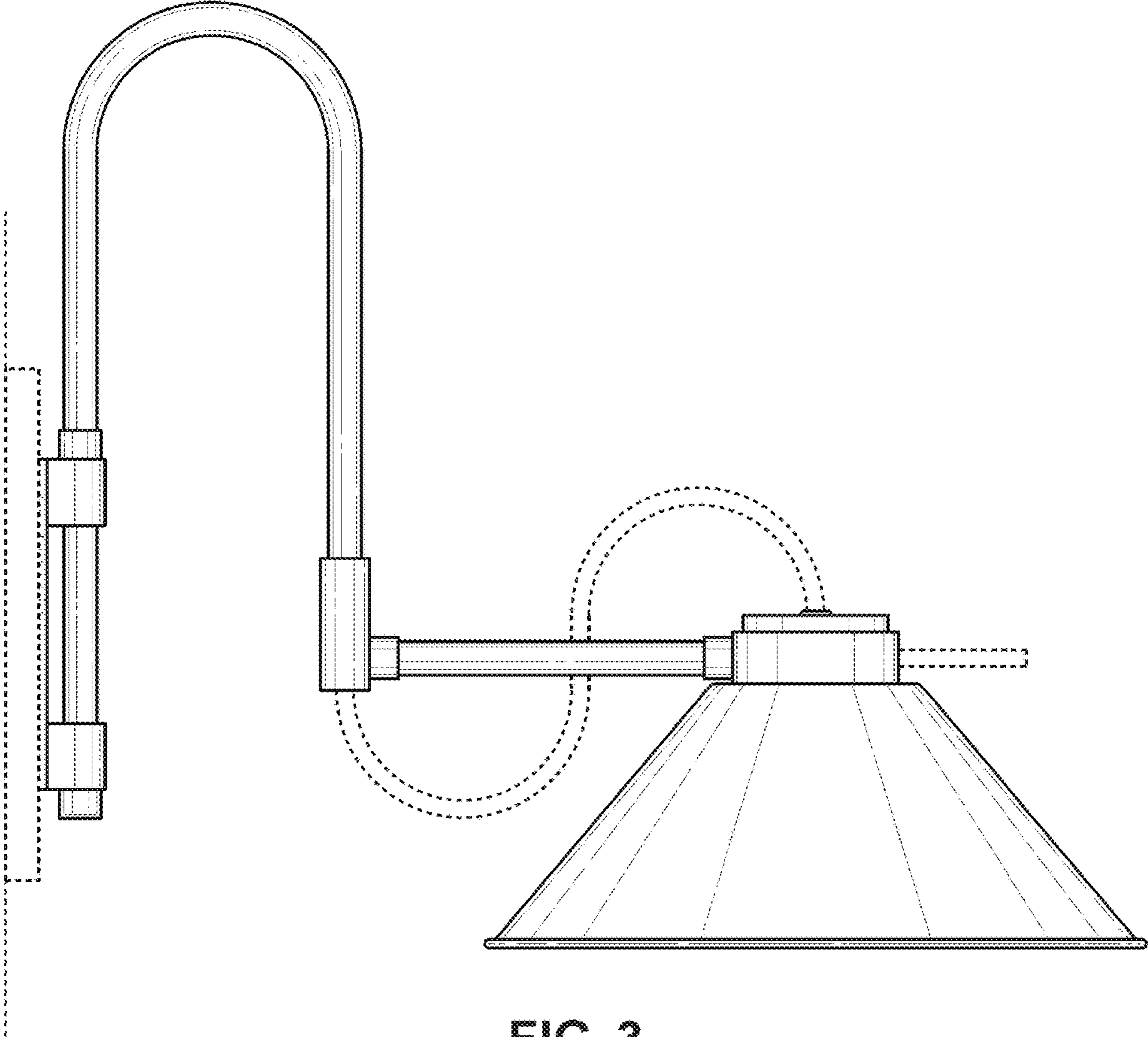


FIG. 3

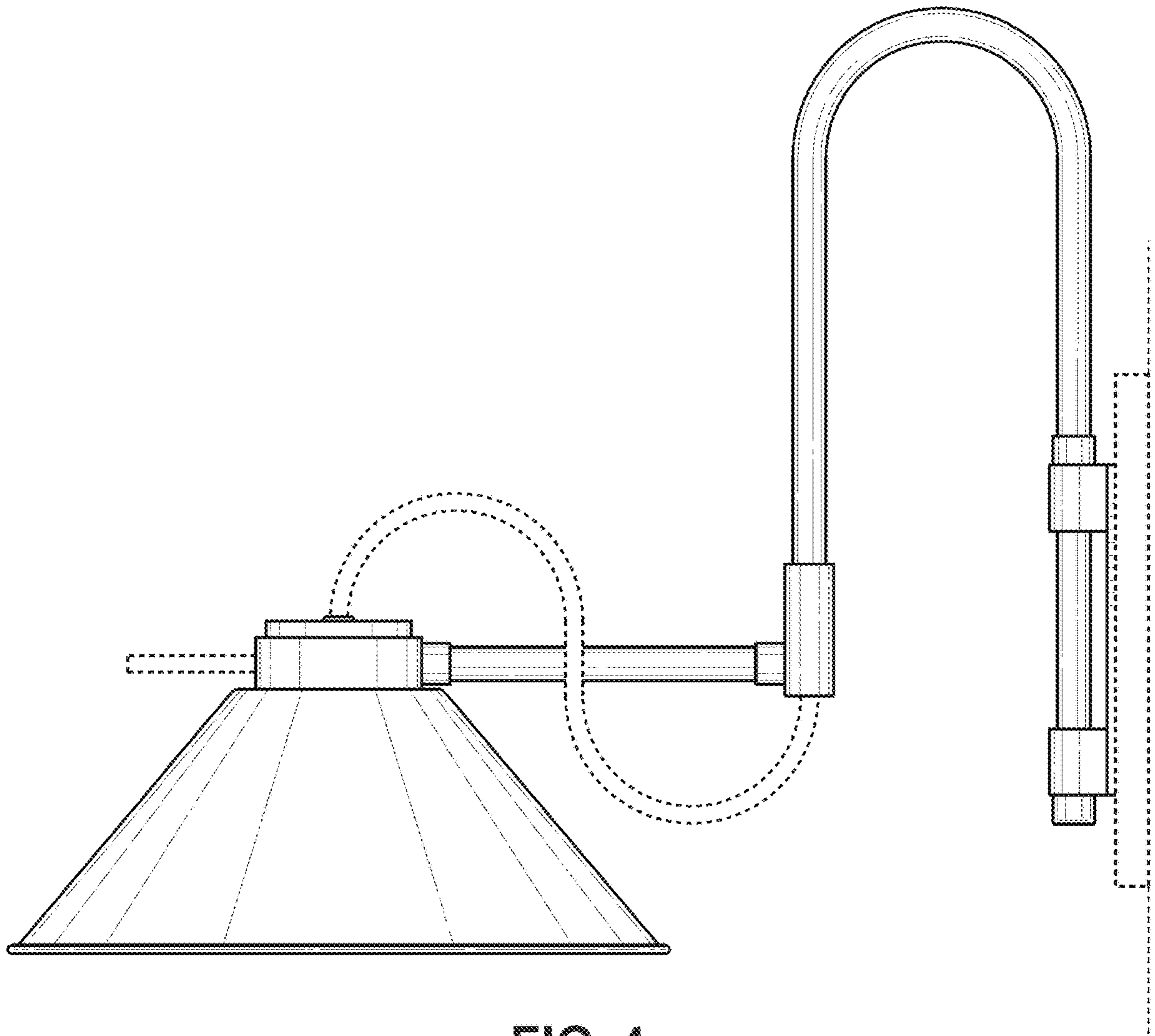


FIG. 4

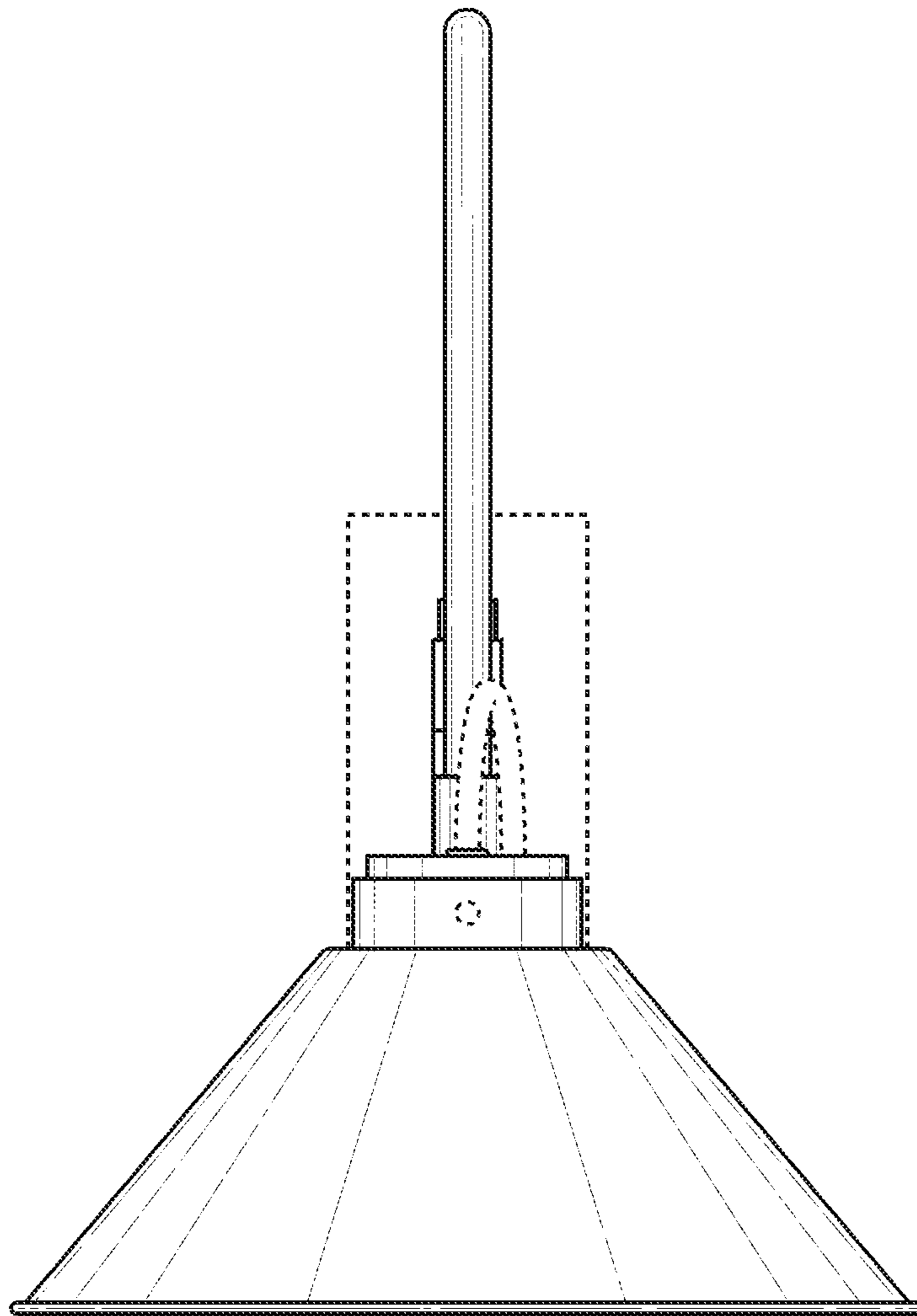


FIG. 5

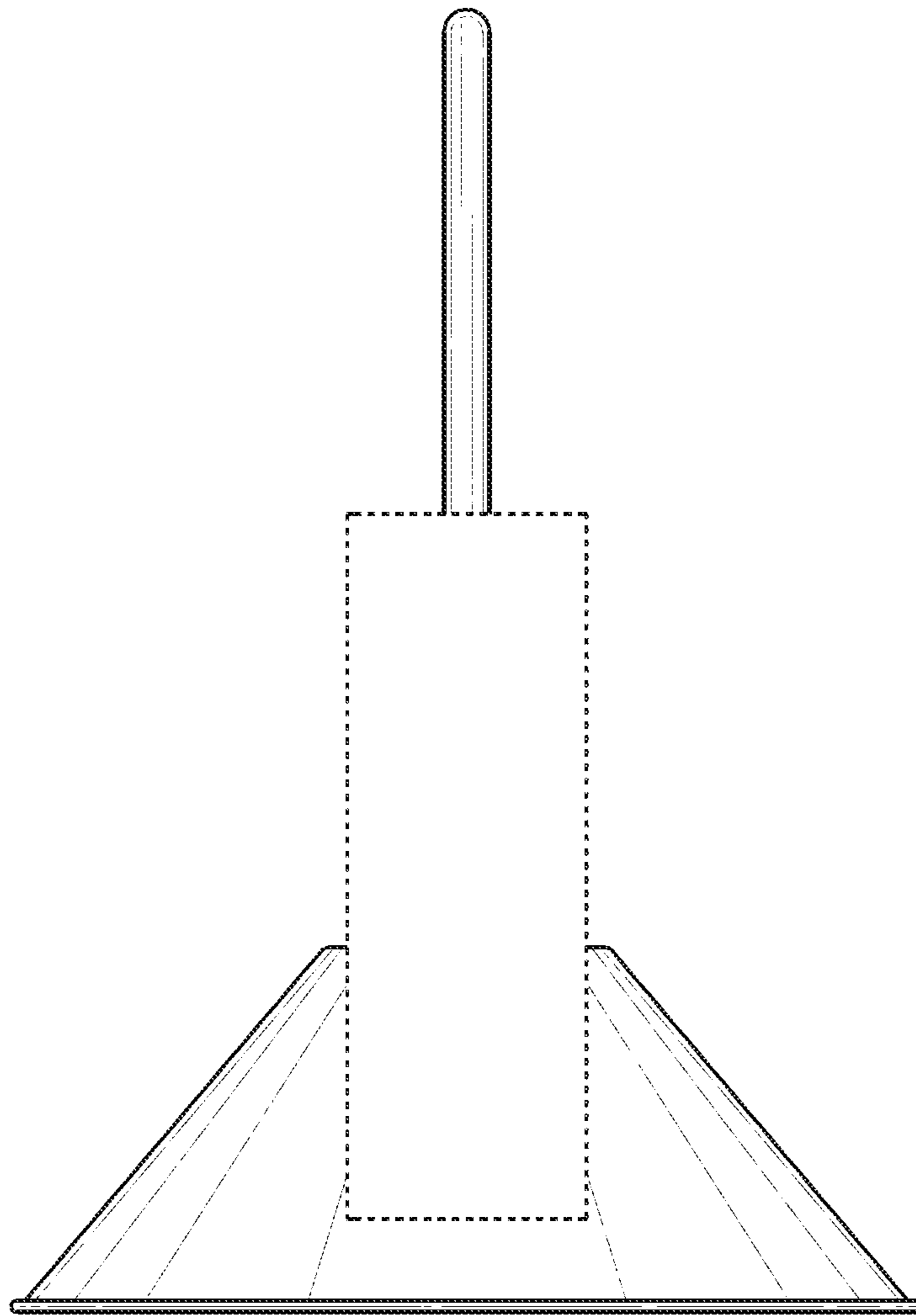


FIG. 6

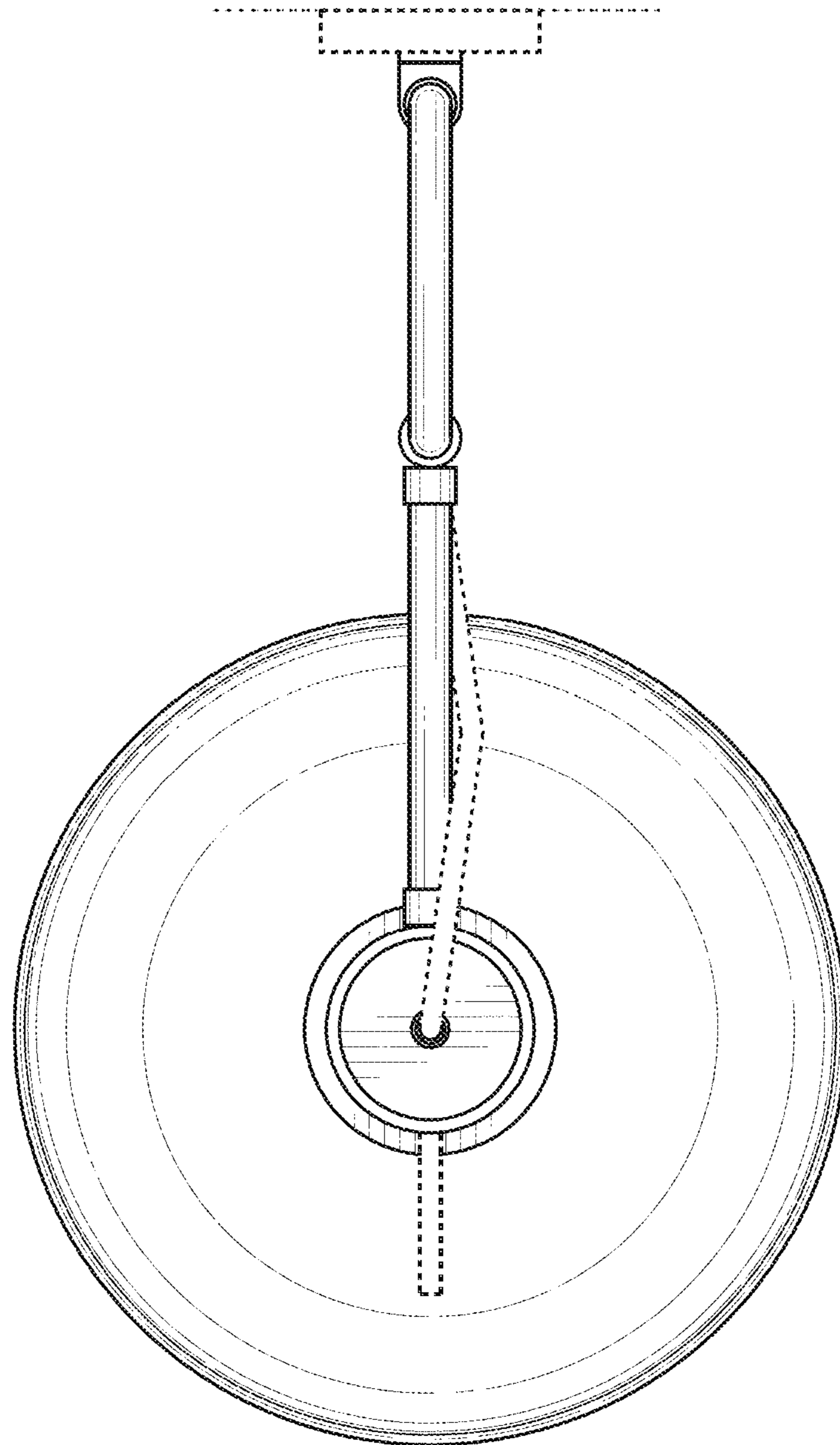


FIG. 7

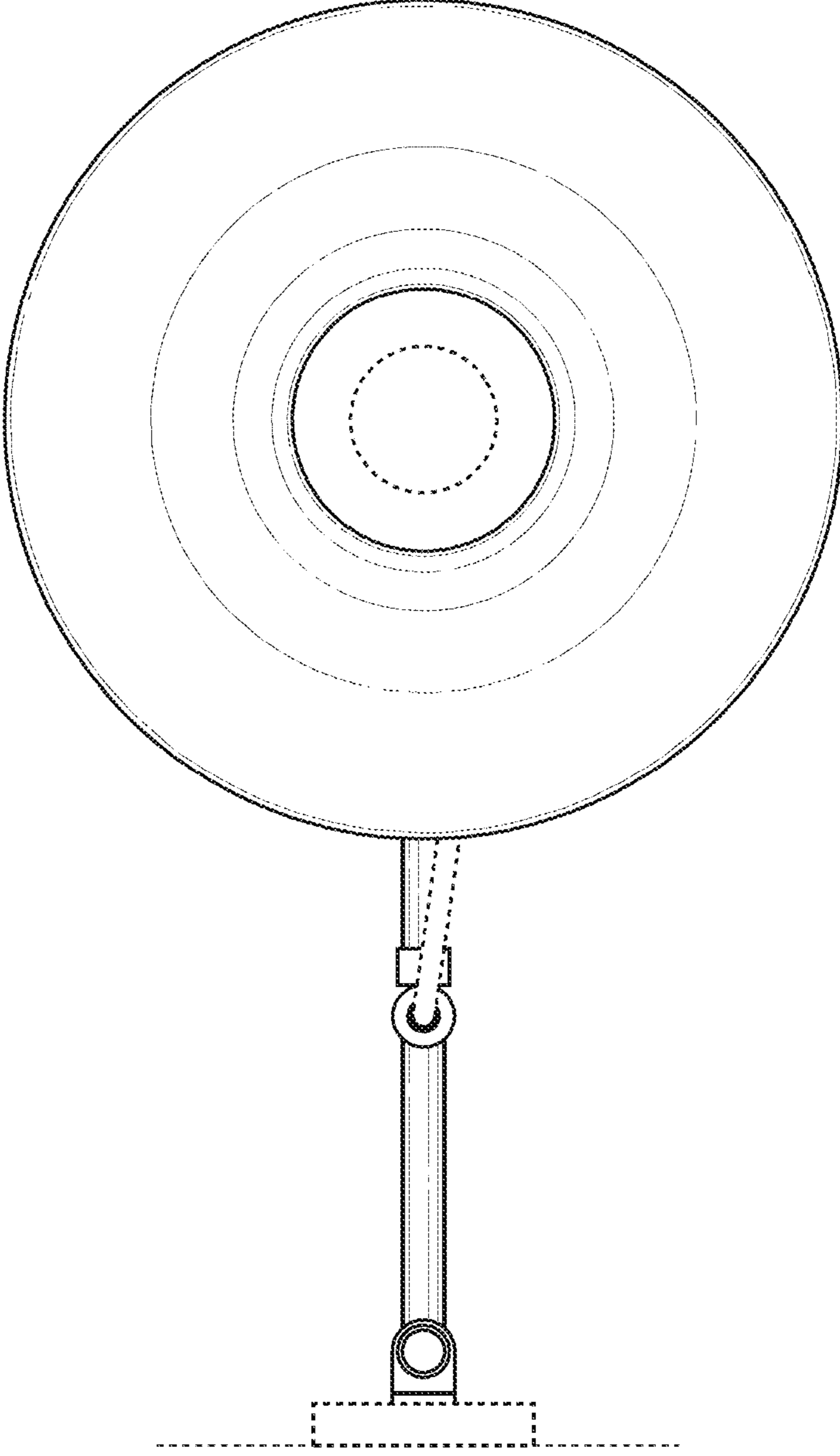


FIG. 8