



US00D888318S

(12) **United States Design Patent**
Amato et al.

(10) **Patent No.:** **US D888,318 S**
(45) **Date of Patent:** **** Jun. 23, 2020**

(54) **LIGHTING FIXTURE**

(71) Applicant: **The Urban Electric Company**, North Charleston, SC (US)

(72) Inventors: **Michael Amato**, London (GB); **David Dawson**, Charleston, SC (US); **Jonathan Charpia**, Summerville, SC (US); **Joeangel Casanova**, Brooklyn, NY (US); **Christopher Roof**, Charleston, SC (US); **Brianna Magagnoli**, North Charleston, SC (US); **Janis Golubeckis**, Mount Pleasant, SC (US)

(73) Assignee: **The Urban Electric Company**, North Charleston, SC (US)

(**) Term: **15 Years**

(21) Appl. No.: **29/683,070**

(22) Filed: **Mar. 11, 2019**

(51) **LOC (12) Cl.** **26-03**

(52) **U.S. Cl.**
USPC **D26/87**

(58) **Field of Classification Search**
USPC D26/72, 80, 85, 86, 87, 92, 155
CPC .. F21S 8/033; F21S 8/035; F21S 8/036; F21S 8/046
See application file for complete search history.

(56) **References Cited**

U.S. PATENT DOCUMENTS

D124,182 S * 12/1940 McCann D26/87
D152,994 S * 3/1949 McCann D26/87
D164,507 S * 9/1951 McCann D26/76

D413,998 S * 9/1999 Littman D26/76
D441,125 S * 4/2001 Crosby D26/87
D442,317 S * 5/2001 Crosby D26/87
D558,381 S * 12/2007 Horn D26/85
D606,701 S * 12/2009 Chandler D26/141
D646,426 S * 10/2011 Wolk D26/85
D817,536 S * 5/2018 Torres Torres D26/85
D821,628 S * 6/2018 Amato D26/87
D851,318 S * 6/2019 Amato D26/87
D851,319 S * 6/2019 Amato D26/87
D863,648 S * 10/2019 Amato D26/87

* cited by examiner

Primary Examiner — Clare E Heflin

(74) *Attorney, Agent, or Firm* — Haynsworth Sinkler Boyd, P.A.

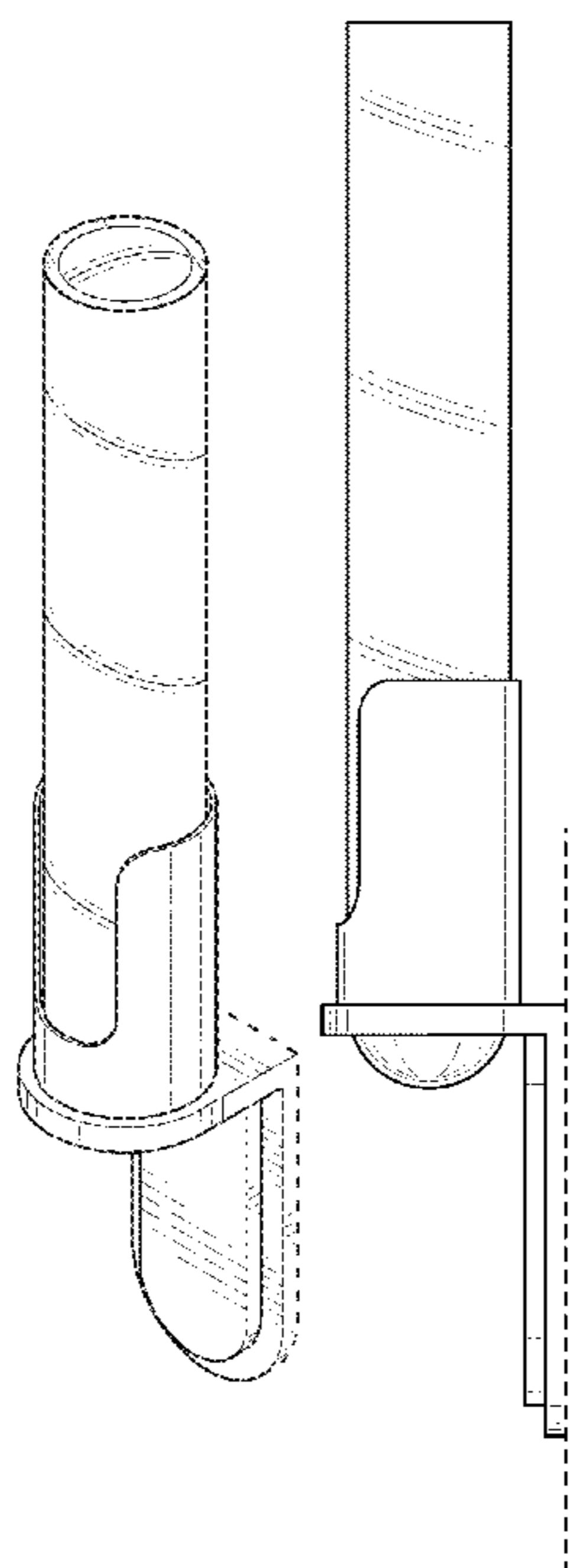
(57) **CLAIM**

The ornamental design for a lighting fixture, as shown and described.

DESCRIPTION

FIG. 1 is a front perspective view of a lighting fixture depicting a new design;
FIG. 2 is a back perspective view thereof;
FIG. 3 is a left elevational view thereof;
FIG. 4 is a right elevational view thereof;
FIG. 5 is a front elevational view thereof;
FIG. 6 is a back elevational view thereof;
FIG. 7 is a top plan view thereof; and,
FIG. 8 is a bottom plan view thereof.
The broken lines extending out beyond the perimeter of the fixture in FIGS. 3-4 and 7-8 are intended to demonstrate environment only and form no part of the claimed design. The remaining broken line disclosures in the views represent portions of the lighting fixture that form no part of the claimed design.

1 Claim, 8 Drawing Sheets



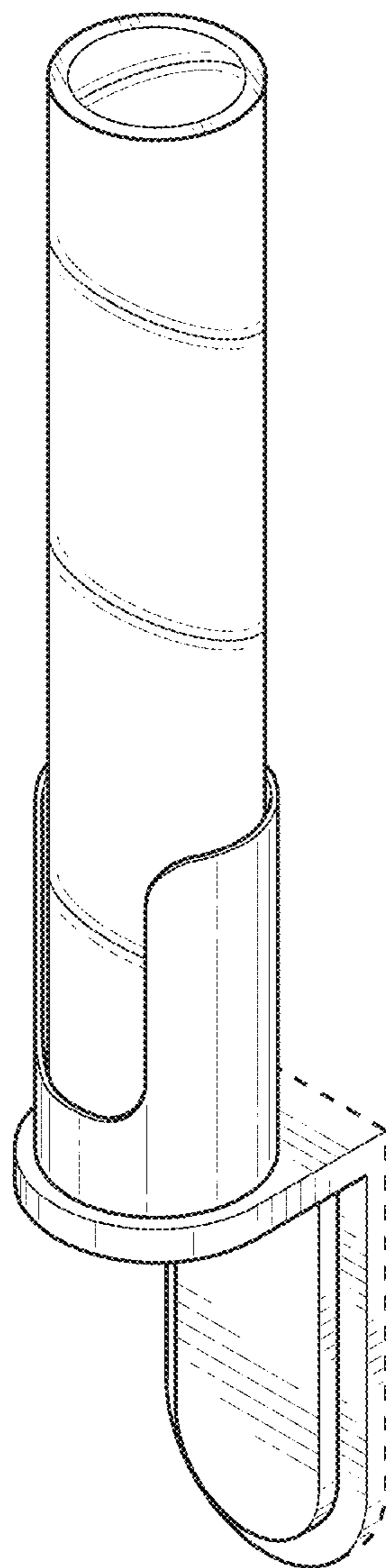


FIG. 1

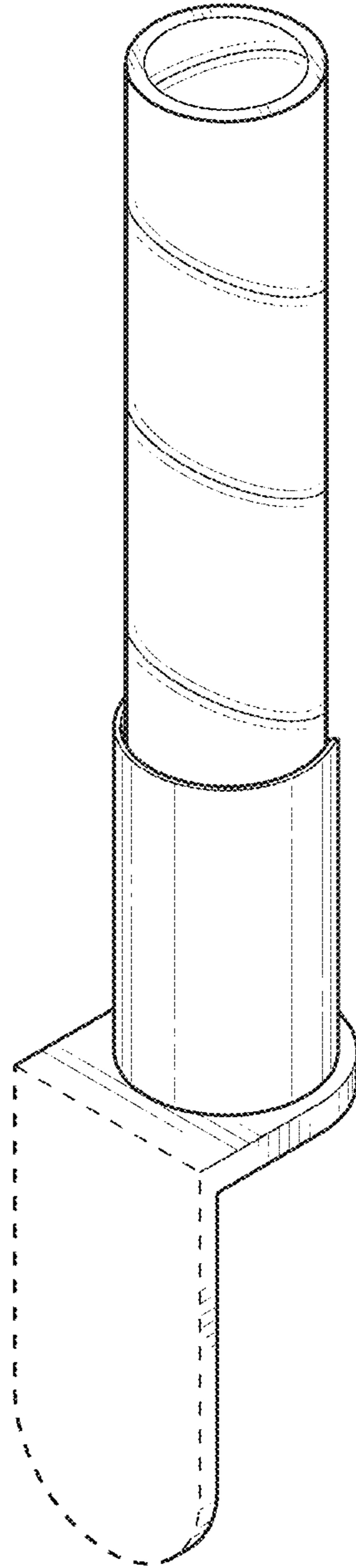


FIG. 2

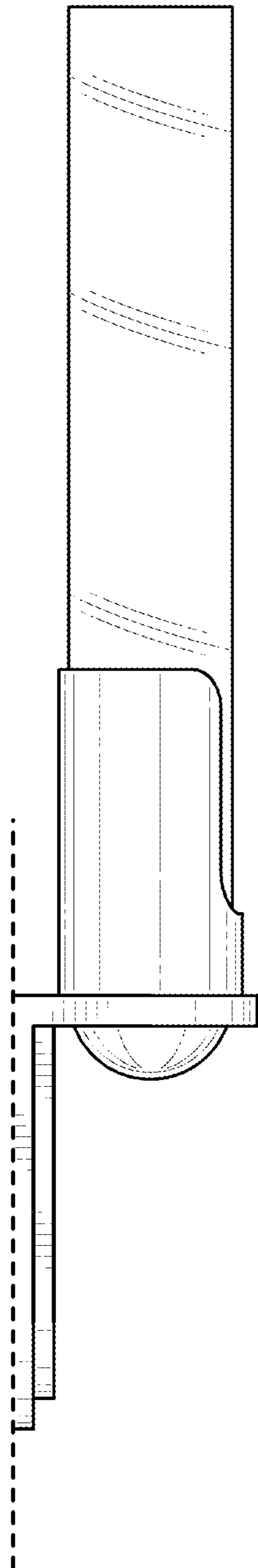


FIG. 3

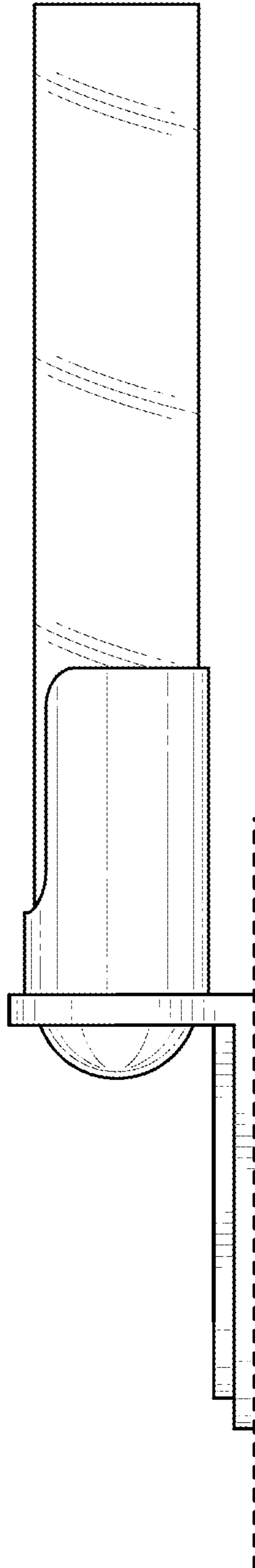


FIG. 4

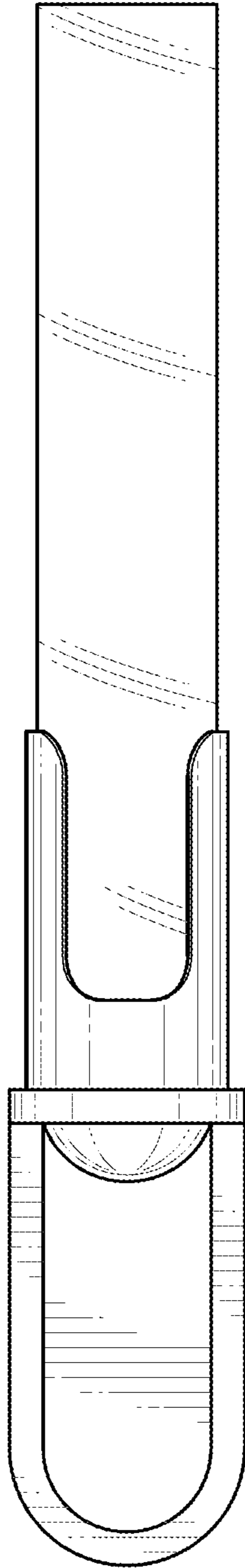


FIG. 5

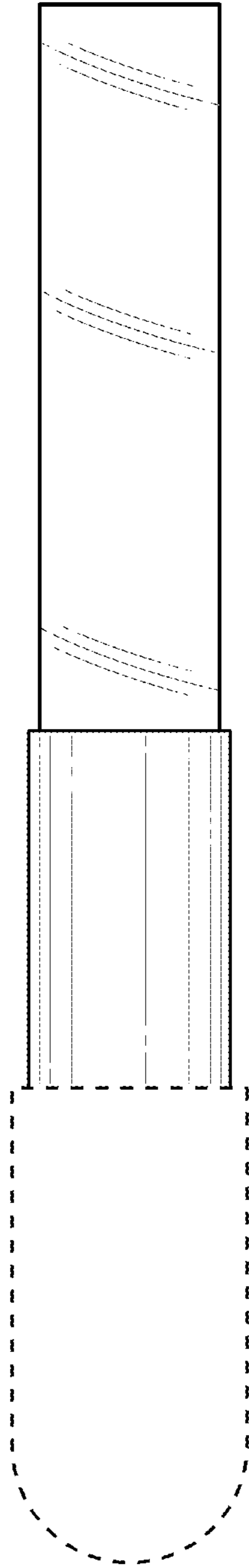


FIG. 6

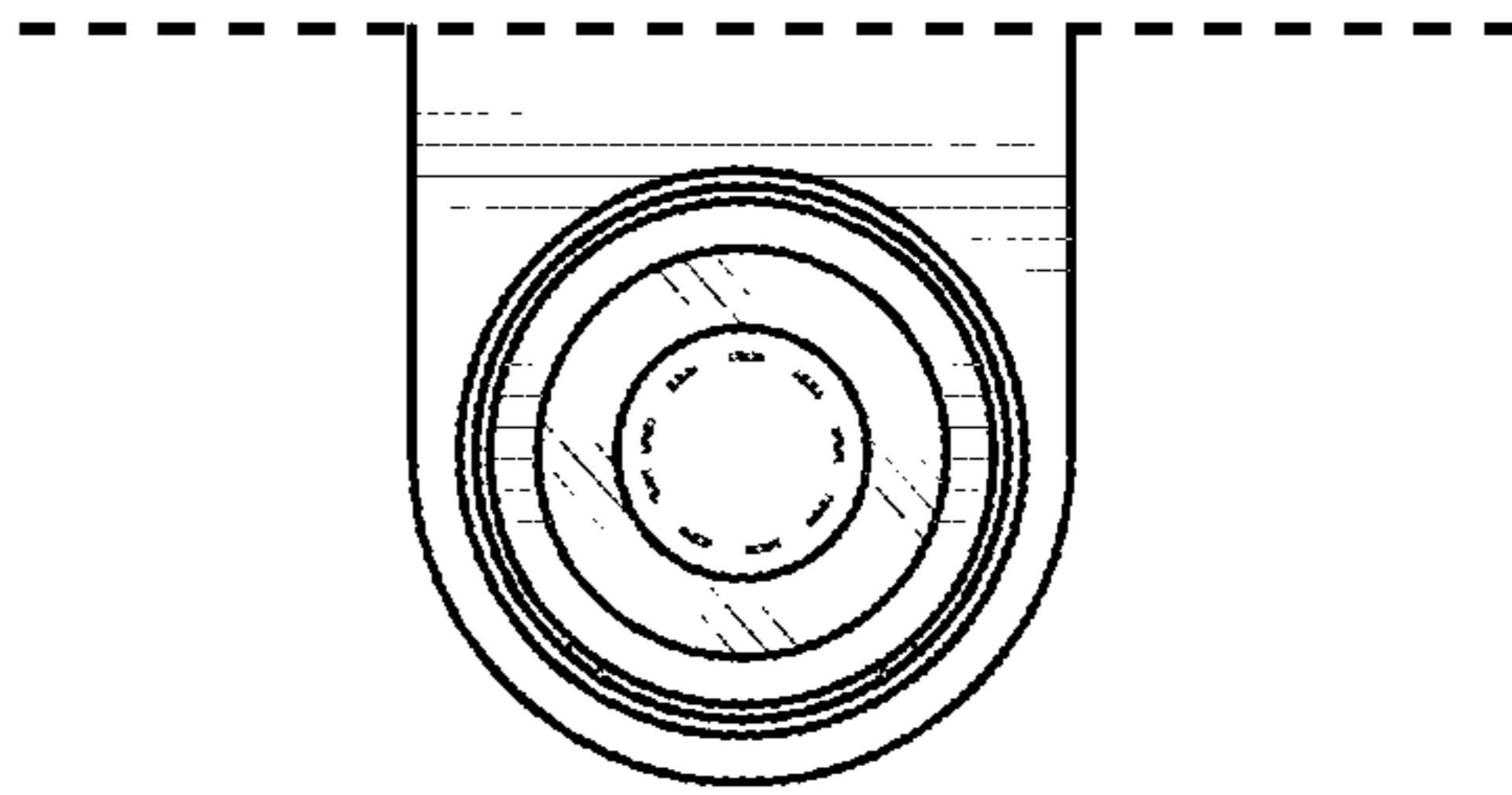


FIG. 7

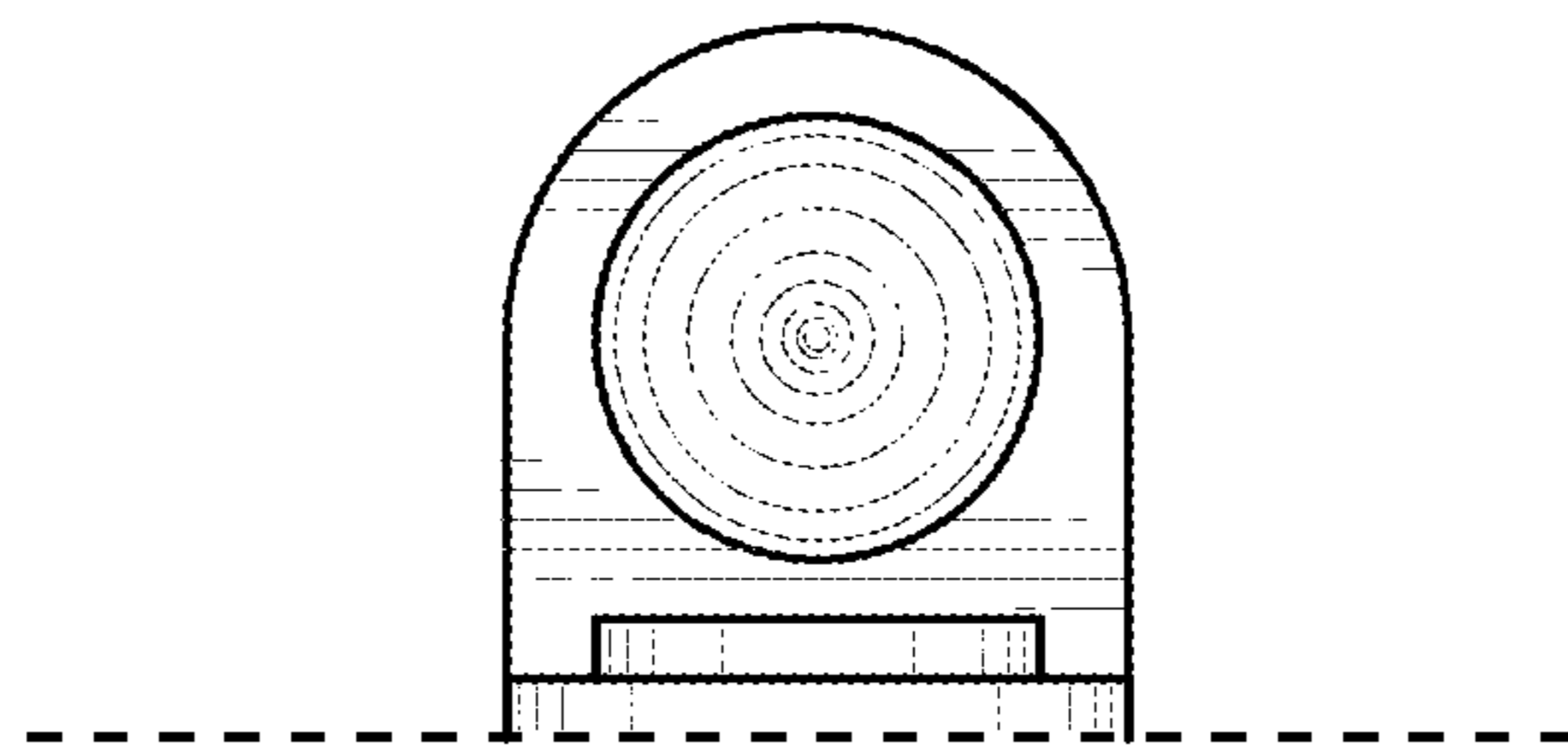


FIG. 8