



US00D888317S

(12) **United States Design Patent**
Amato et al.

(10) **Patent No.:** **US D888,317 S**
(45) **Date of Patent:** **** Jun. 23, 2020**

(54) **LIGHTING FIXTURE**

(71) Applicant: **The Urban Electric Company**, North Charleston, SC (US)

(72) Inventors: **Michael Amato**, London (GB); **David Dawson**, Charleston, SC (US); **Joeangel Casanova**, North Charleston, SC (US); **Christopher Roof**, Charleston, SC (US); **Brianna Magagnoli**, North Charleston, SC (US); **Janis Golubeckis**, Mount Pleasant, SC (US)

(73) Assignee: **The Urban Electric Company**, North Charleston, SC (US)

(**) Term: **15 Years**

(21) Appl. No.: **29/664,065**

(22) Filed: **Sep. 21, 2018**

(51) **LOC (12) Cl.** **26-03**

(52) **U.S. Cl.**
USPC **D26/87**

(58) **Field of Classification Search**
USPC D26/72, 80, 85, 86, 87, 92, 155
CPC .. F21S 8/033; F21S 8/035; F21S 8/036; F21S 8/046

See application file for complete search history.

(56) **References Cited**

U.S. PATENT DOCUMENTS

- D40,217 S * 8/1909 Pitner D26/72
- 1,143,536 A * 6/1915 Goodridge F21S 8/033
- 439/361
- D173,404 S * 11/1954 Axelrod D26/72
- D193,632 S * 9/1962 Patience, Jr. D26/66
- D340,780 S * 10/1993 Porter D26/87
- D395,729 S * 6/1998 Littman D26/87
- 6,261,023 B1 * 7/2001 Schmitt F16M 11/10
- 248/291.1

- 6,398,172 B1 * 6/2002 Rousek F16M 11/10
- 248/121
- 7,354,171 B2 * 4/2008 Pazula F21V 21/02
- 362/135
- D573,750 S * 7/2008 Starck D26/87

(Continued)

OTHER PUBLICATIONS

Mid-Century Modern Cone Shade Wall Lamp. Available online at shadesoflight.com visited Jan. 31, 2020 (Year: 2020).*

(Continued)

Primary Examiner — Clare E Heflin

(74) *Attorney, Agent, or Firm* — Haynsworth Sinkler Boyd, P.A.

(57) **CLAIM**

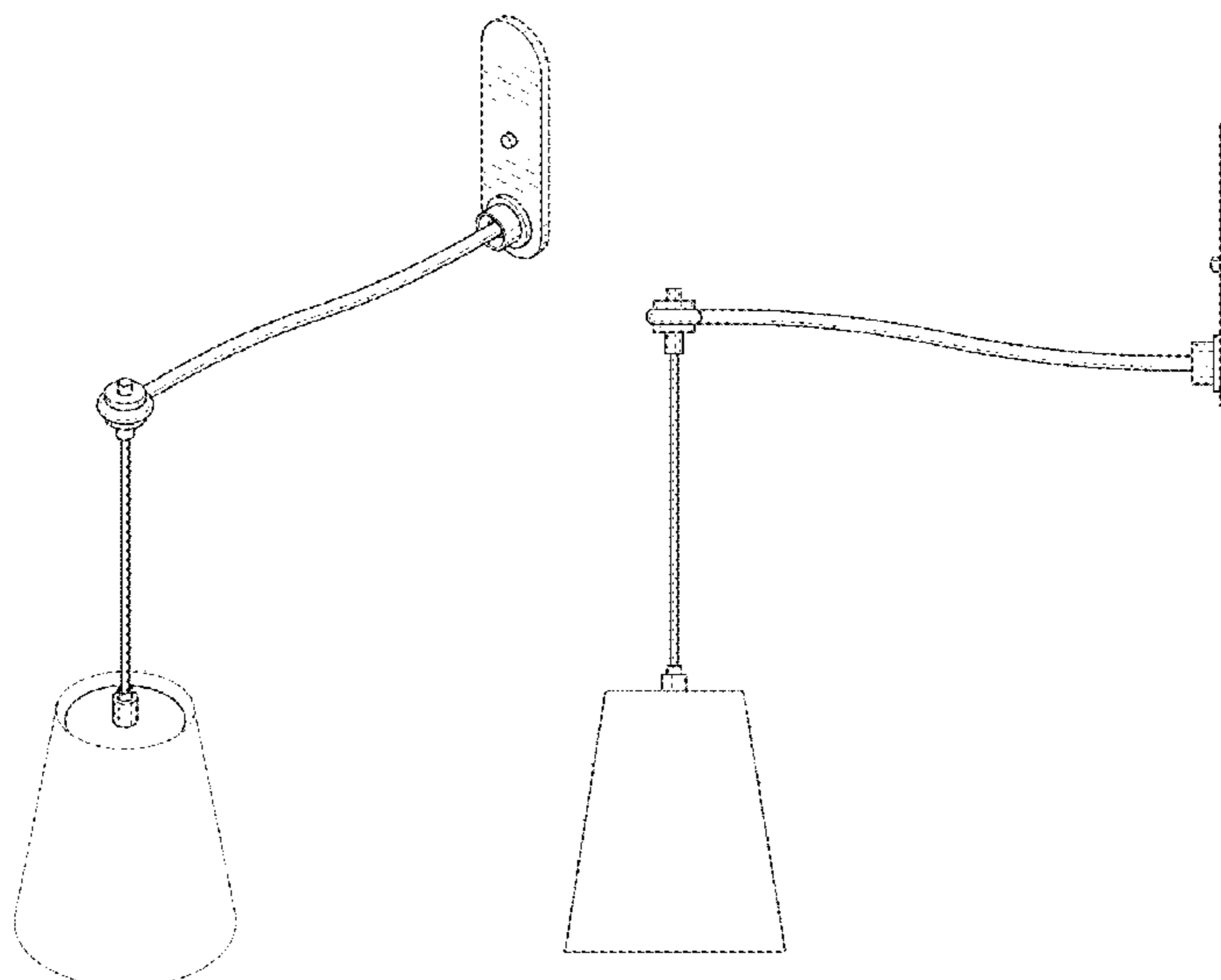
The ornamental design for a lighting fixture, as shown and described.

DESCRIPTION

FIG. 1 is a top perspective view of a lighting fixture depicting a new design;
FIG. 2 is a bottom perspective view thereof;
FIG. 3 is a front elevational view thereof;
FIG. 4 is a back elevational view thereof;
FIG. 5 is a left elevational view thereof;
FIG. 6 is a right elevational view thereof;
FIG. 7 is a top plan view thereof; and,
FIG. 8 is a bottom plan view thereof.

The vertical broken lines extending out beyond the perimeter of the fixture in FIGS. 5-6 and the horizontal broken lines extending out beyond the perimeter of the fixture in FIGS. 7-8 are intended to demonstrate environment only and foam no part of the claimed design. The remaining broken line disclosures in the views represent portions of the lighting fixture that form no part of the claimed design.

1 Claim, 8 Drawing Sheets



(56)

References Cited

U.S. PATENT DOCUMENTS

D826,457 S * 8/2018 Amato D26/87
D826,458 S * 8/2018 Amato D26/87

OTHER PUBLICATIONS

Danish Modern Teak Wall-Mount Swing Arm Lamp, vintage from the 1960s. Listed at etsy.com Dec. 13, 2019. (Year: 2019).*

Rowland Wall Sconce from Room & Board. Available online at roomandboard.com as early as Jan. 31, 2018 (Year: 2018).*

* cited by examiner

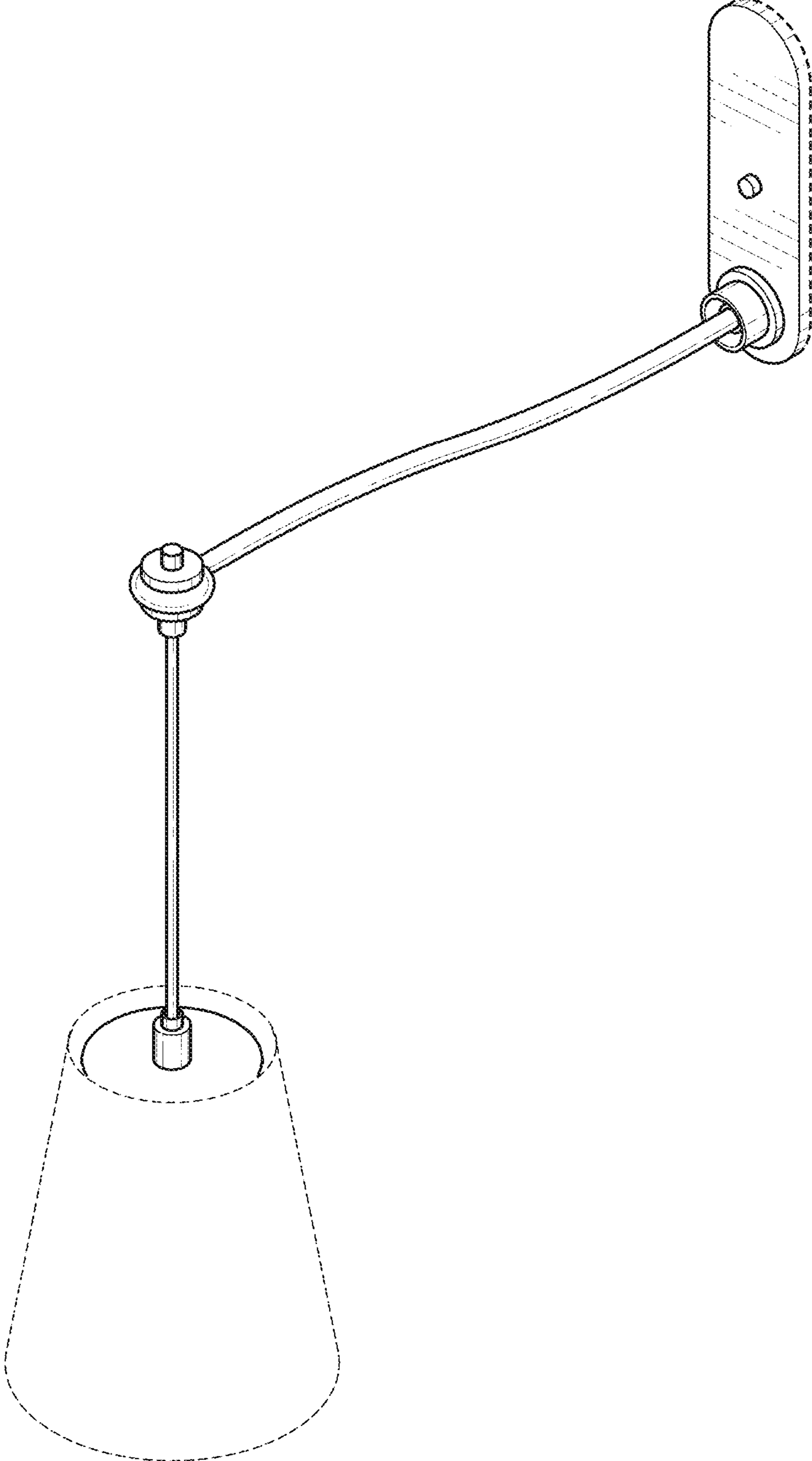


FIG. 1

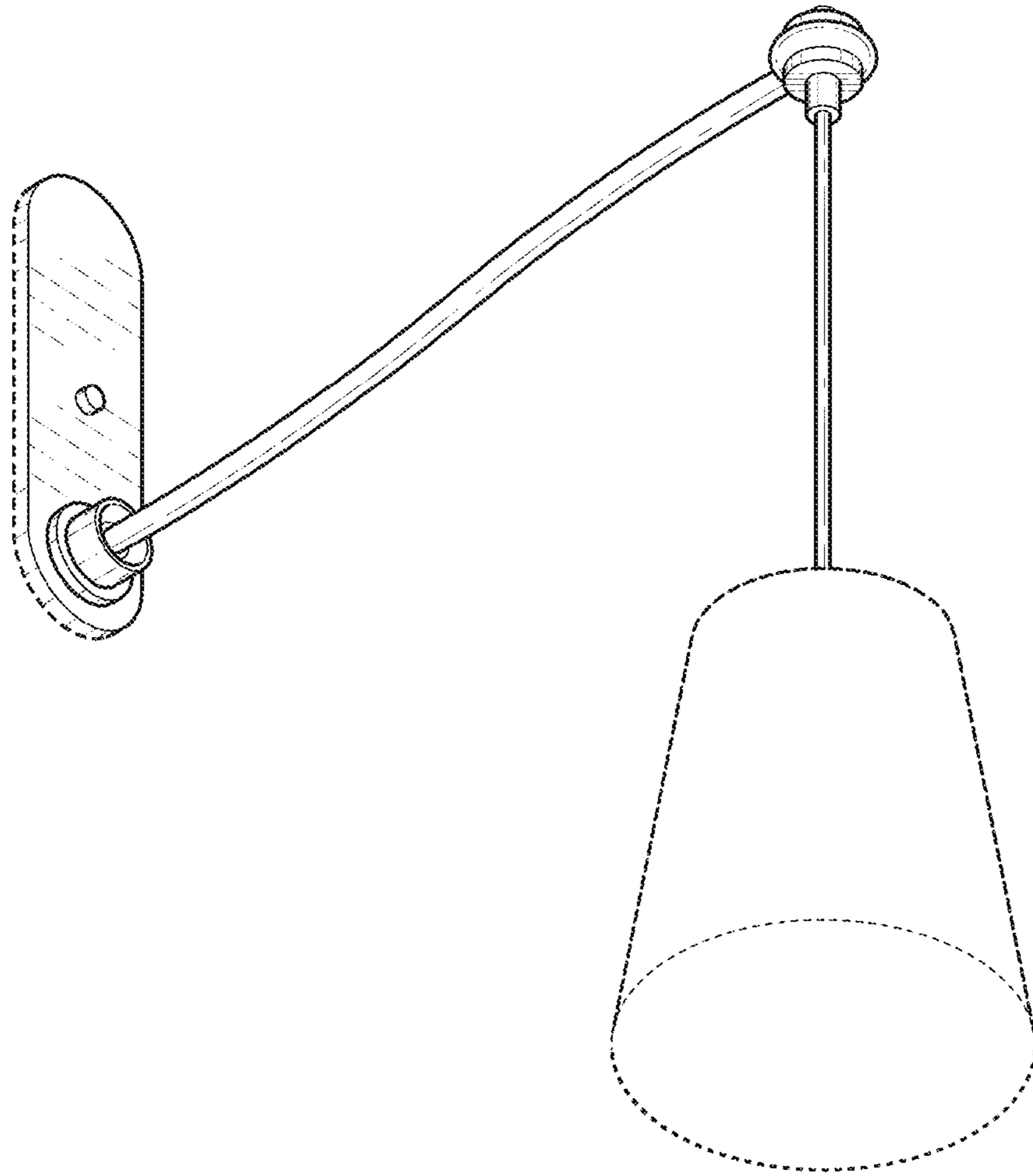


FIG. 2

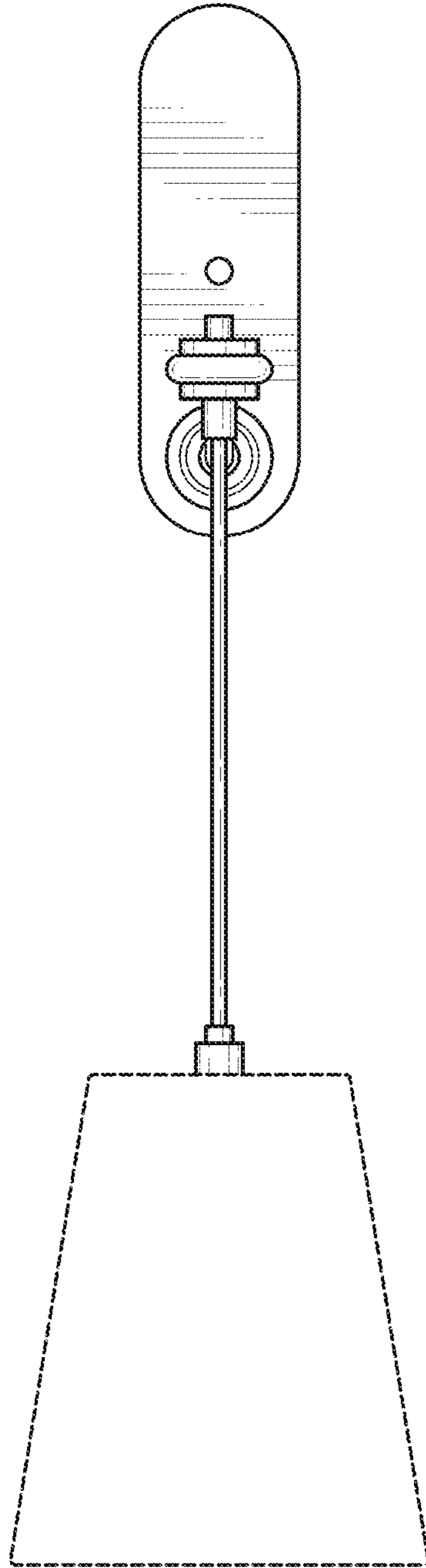


FIG. 3

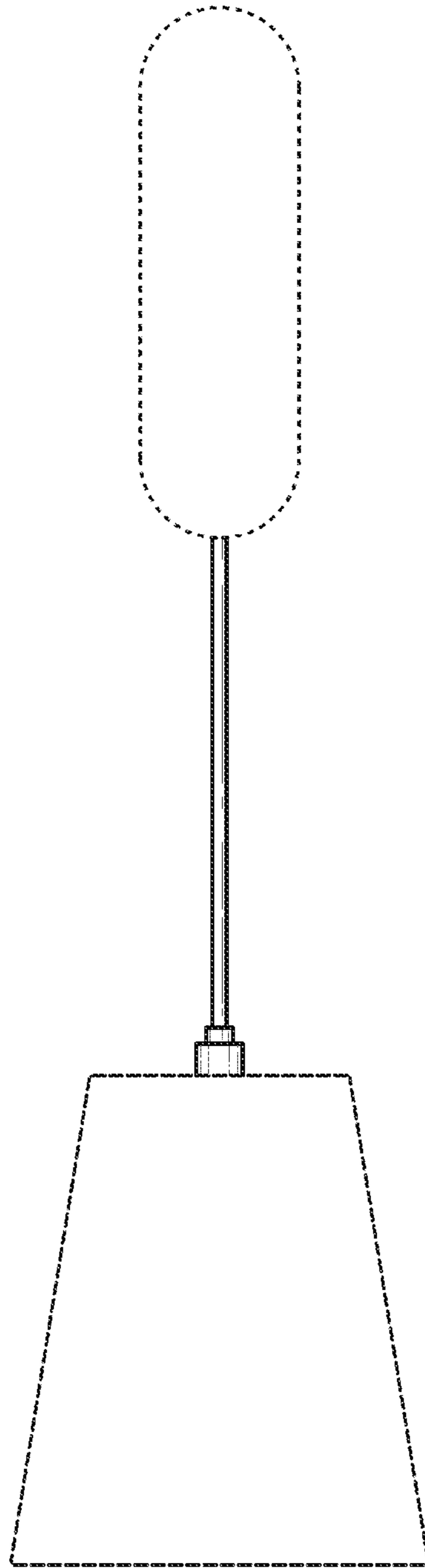


FIG. 4

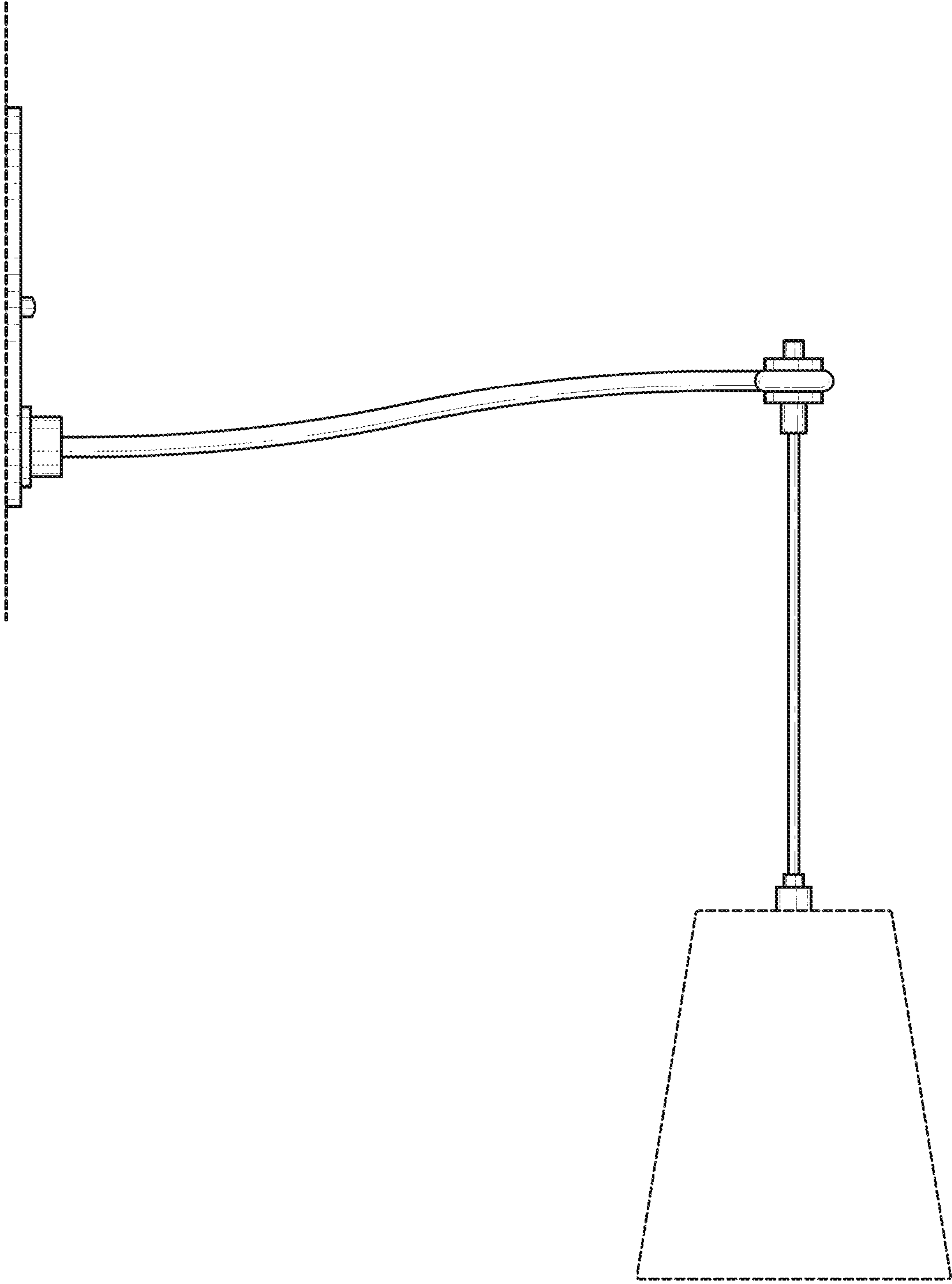


FIG. 5

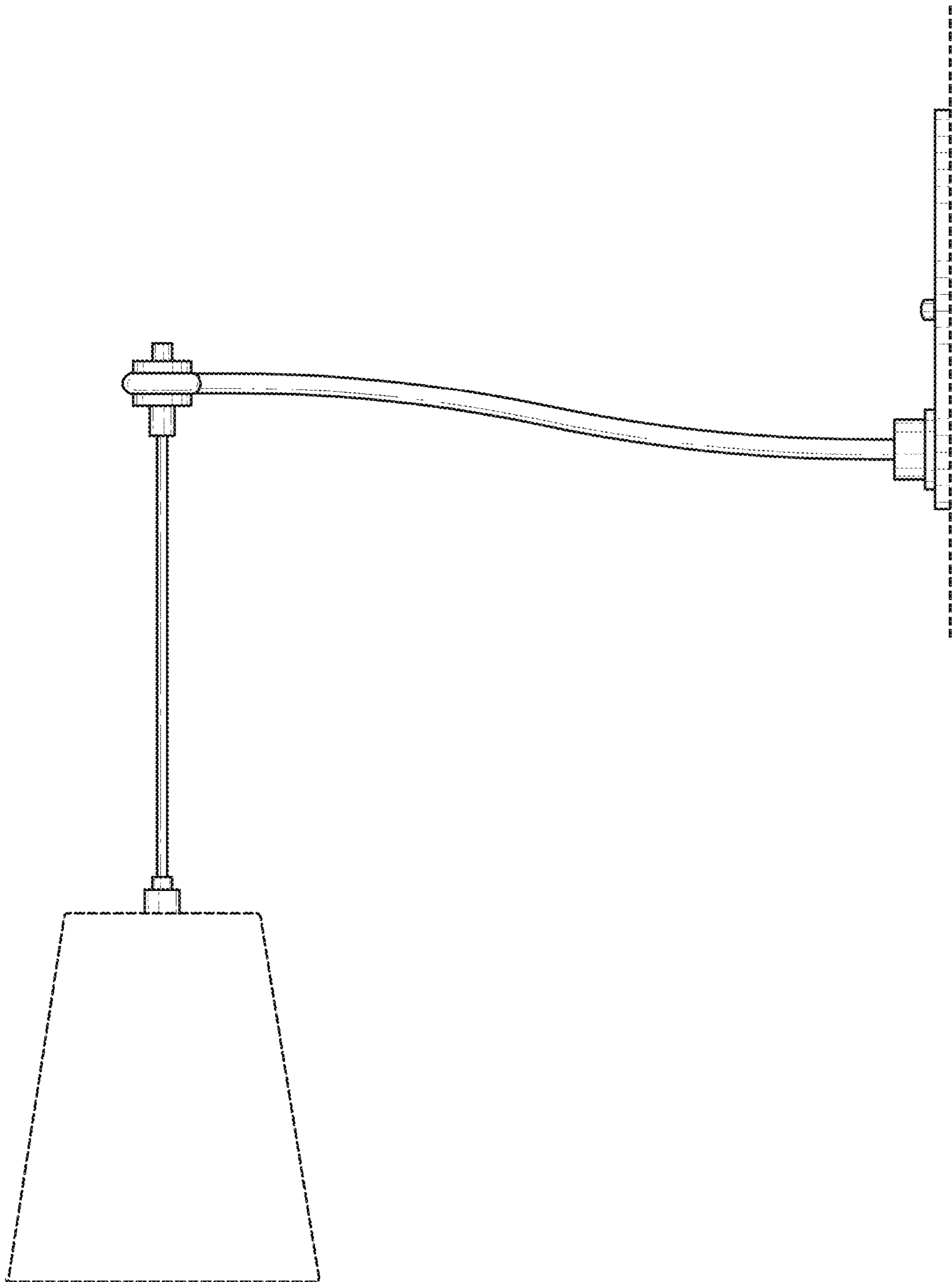


FIG. 6

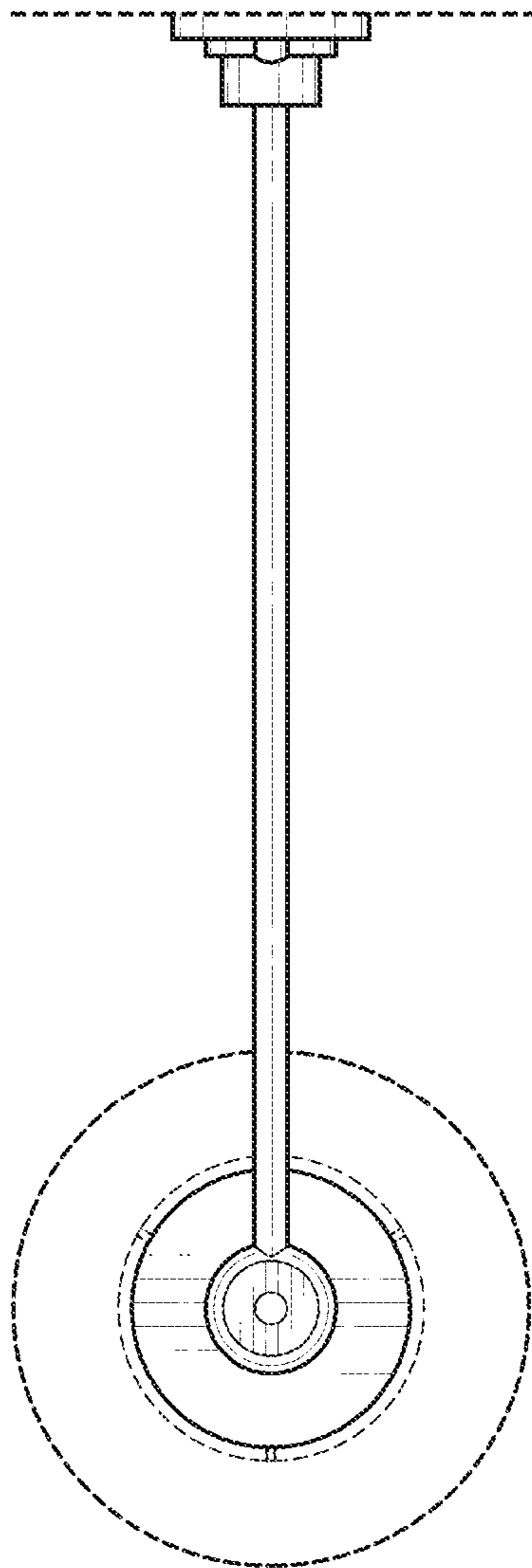


FIG. 7

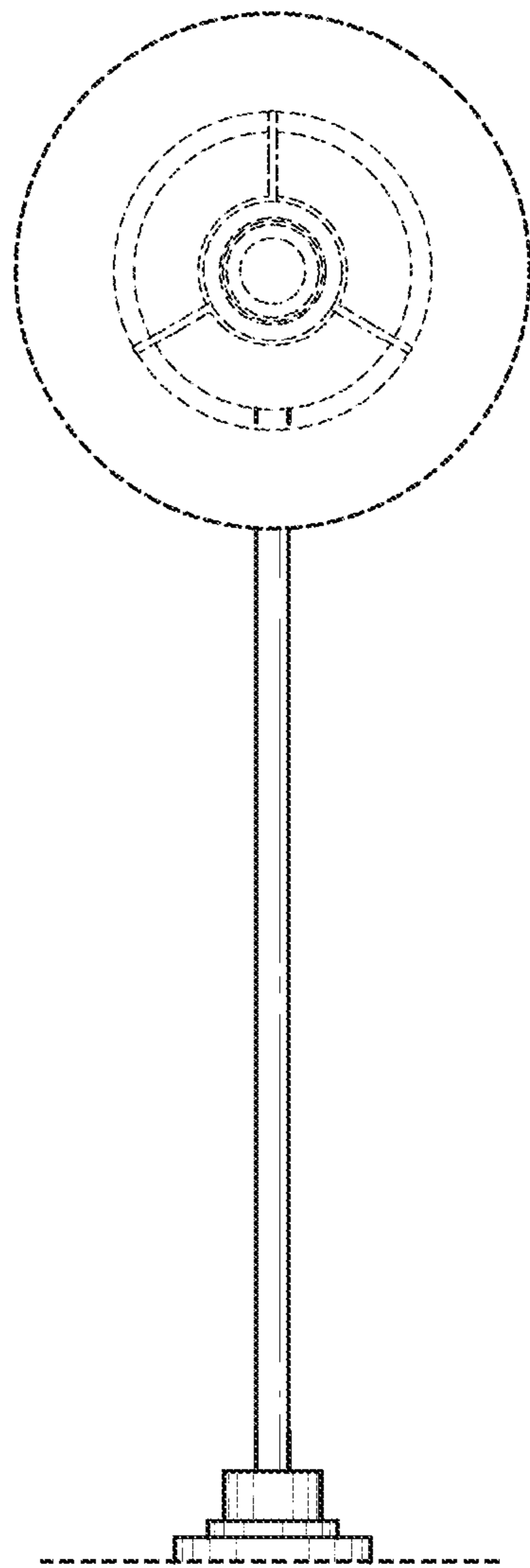


FIG. 8