



US00D888316S

(12) **United States Design Patent**  
**Huang**

(10) **Patent No.:** **US D888,316 S**

(45) **Date of Patent:** **\*\* Jun. 23, 2020**

(54) **LAMP**

(71) Applicant: **Wenjuan Huang**, Zhanjiang (CN)

(72) Inventor: **Wenjuan Huang**, Zhanjiang (CN)

(\*\*) Term: **15 Years**

(21) Appl. No.: **29/727,613**

(22) Filed: **Mar. 12, 2020**

(51) **LOC (12) Cl.** ..... **D26/03**

(52) **U.S. Cl.**  
USPC ..... **D26/86**; D26/80

(58) **Field of Classification Search**

USPC ..... D26/80, 85, 86, 87, 91, 92

CPC .... F21S 8/03; F21S 8/031; F21S 8/033; F21S  
8/035; F21S 8/036; F21S 13/02; F21V  
1/12

See application file for complete search history.

(56) **References Cited**

**U.S. PATENT DOCUMENTS**

D261,436 S	10/1981	Palka et al.	
D339,652 S *	9/1993	Segill .....	D26/86
D382,078 S *	8/1997	Solis .....	D26/85
D501,060 S *	1/2005	Lee .....	D26/80
D581,577 S *	11/2008	Baldele .....	D26/104
D608,488 S *	1/2010	Miranda .....	D26/86
D611,636 S	3/2010	Sabernig	
D655,844 S *	3/2012	Sabernig .....	D26/63
D816,881 S *	5/2018	Qiao .....	D26/86
D816,882 S *	5/2018	Qiao .....	D26/86
D836,820 S *	12/2018	Sonneman .....	D26/86
D869,730 S *	12/2019	Lin .....	D26/80
D879,353 S *	3/2020	Lin .....	D26/87

(Continued)

**OTHER PUBLICATIONS**

Rolston 4-light bath bar by Rosdorf Park sold at wayfair.com as early as Sep. 14, 2017. (Year: 2017).\*

(Continued)

*Primary Examiner* — Clare E Heflin

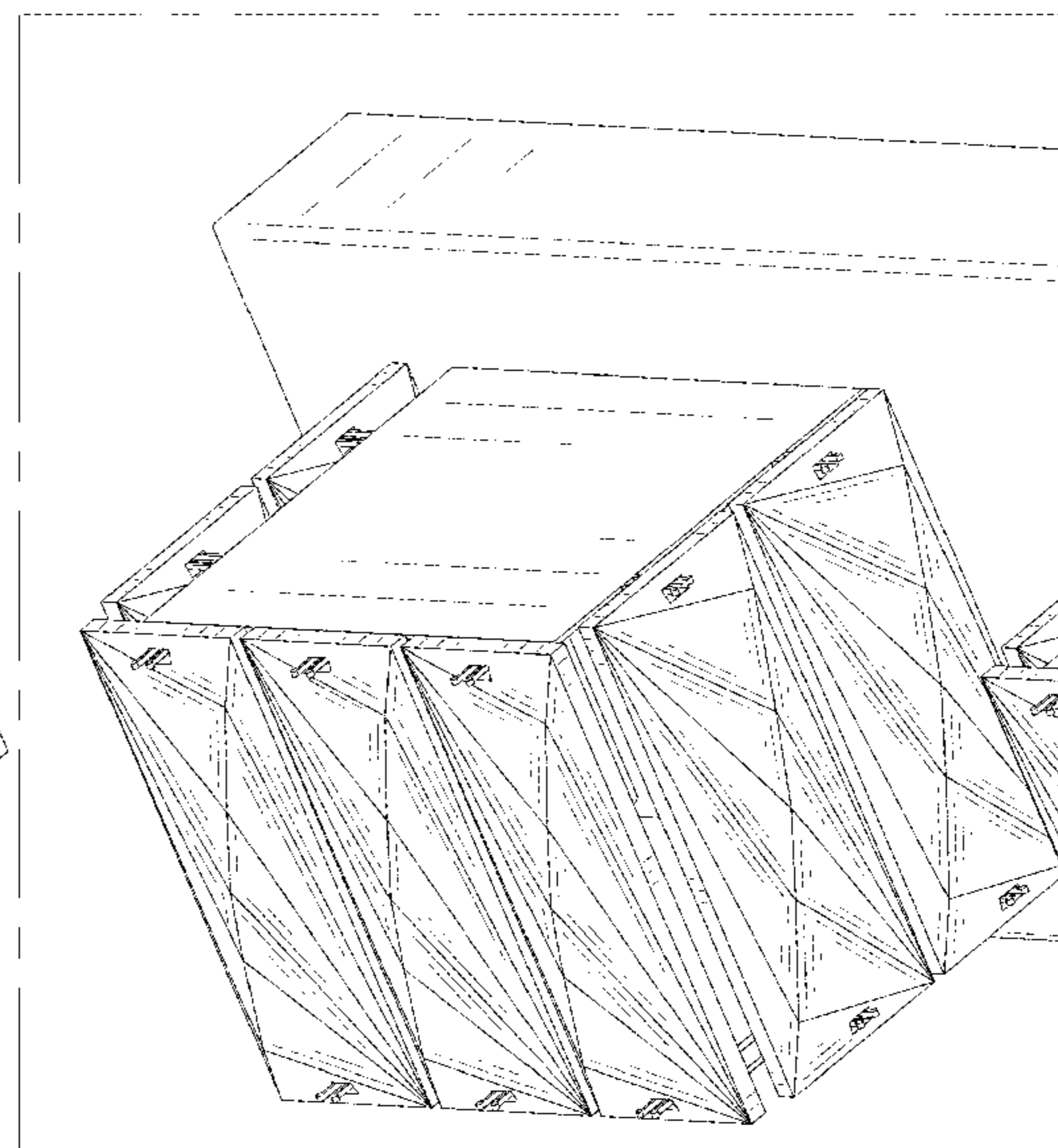
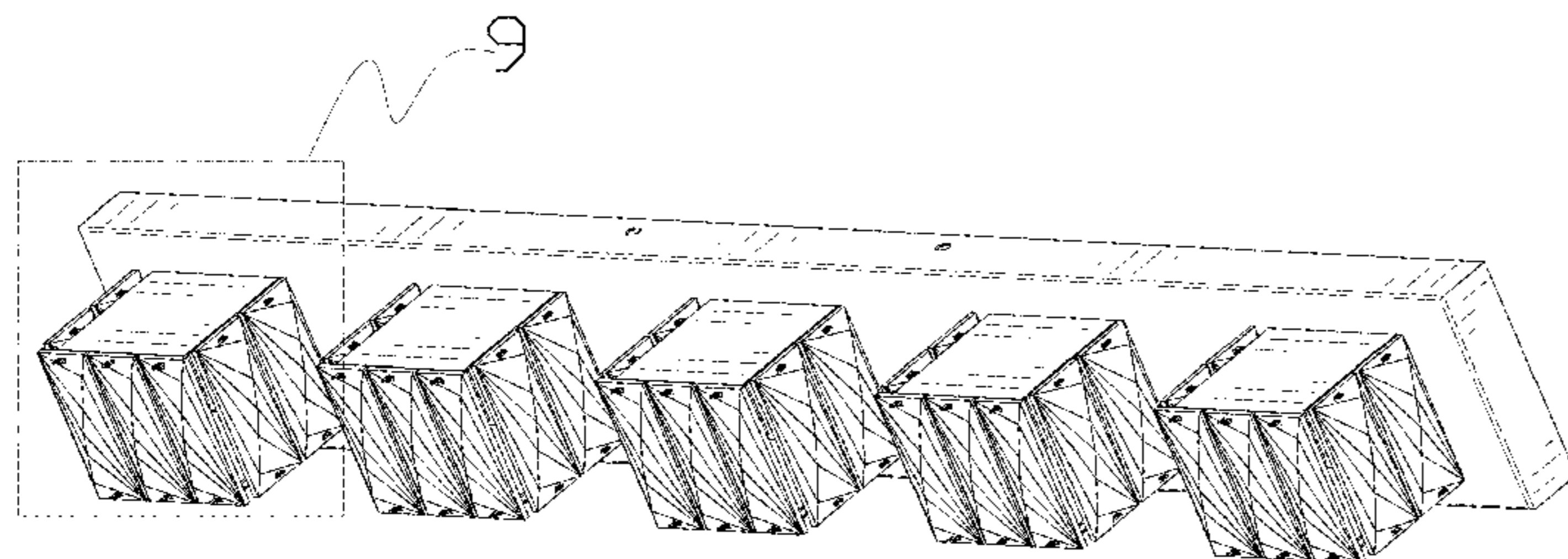
(57) **CLAIM**

The ornamental design for a lamp, as shown and described.

**DESCRIPTION**

FIG. 1 is a perspective view of a first embodiment of a lamp showing my new design;  
 FIG. 2 is another perspective view thereof;  
 FIG. 3 is a front elevational view thereof;  
 FIG. 4 is a rear elevational view thereof;  
 FIG. 5 is a left side elevational view thereof;  
 FIG. 6 is a right side elevational view thereof;  
 FIG. 7 is a top plan view thereof;  
 FIG. 8 is a bottom plan view thereof;  
 FIG. 9 is an enlarged view of portion 9 shown in FIG. 1;  
 FIG. 10 is an enlarged view of portion 10 shown in FIG. 7;  
 FIG. 11 is a perspective view of a second embodiment of the lamp showing my new design;  
 FIG. 12 is another perspective view thereof;  
 FIG. 13 is a front elevational view thereof;  
 FIG. 14 is a rear elevational view thereof;  
 FIG. 15 is a left side elevational view thereof;  
 FIG. 16 is a right side elevational view thereof;  
 FIG. 17 is a top plan view thereof;  
 FIG. 18 is a bottom plan view thereof;  
 FIG. 19 is a perspective view of a third embodiment of the lamp showing my new design;  
 FIG. 20 is another perspective view thereof;  
 FIG. 21 is a front elevational view thereof;  
 FIG. 22 is a rear elevational view thereof;  
 FIG. 23 is a left side elevational view thereof;  
 FIG. 24 is a right side elevational view thereof;  
 FIG. 25 is a top plan view thereof, and,  
 FIG. 26 is a bottom plan view thereof.

**1 Claim, 26 Drawing Sheets**



(56)

**References Cited**

U.S. PATENT DOCUMENTS

2013/0077295 A1\* 3/2013 Hayashi ..... H05K 1/0271  
362/217.05

OTHER PUBLICATIONS

Zuzito Crystal Bathroom Vanity Lighting Fixture sold at amazon.com Jun. 18, 2019. (Year: 2019).\*

Aipsun Crystal Bathroom Vanity Light sold at amazon.com Mar. 6, 2020. (Year: 2020).\*

\* cited by examiner

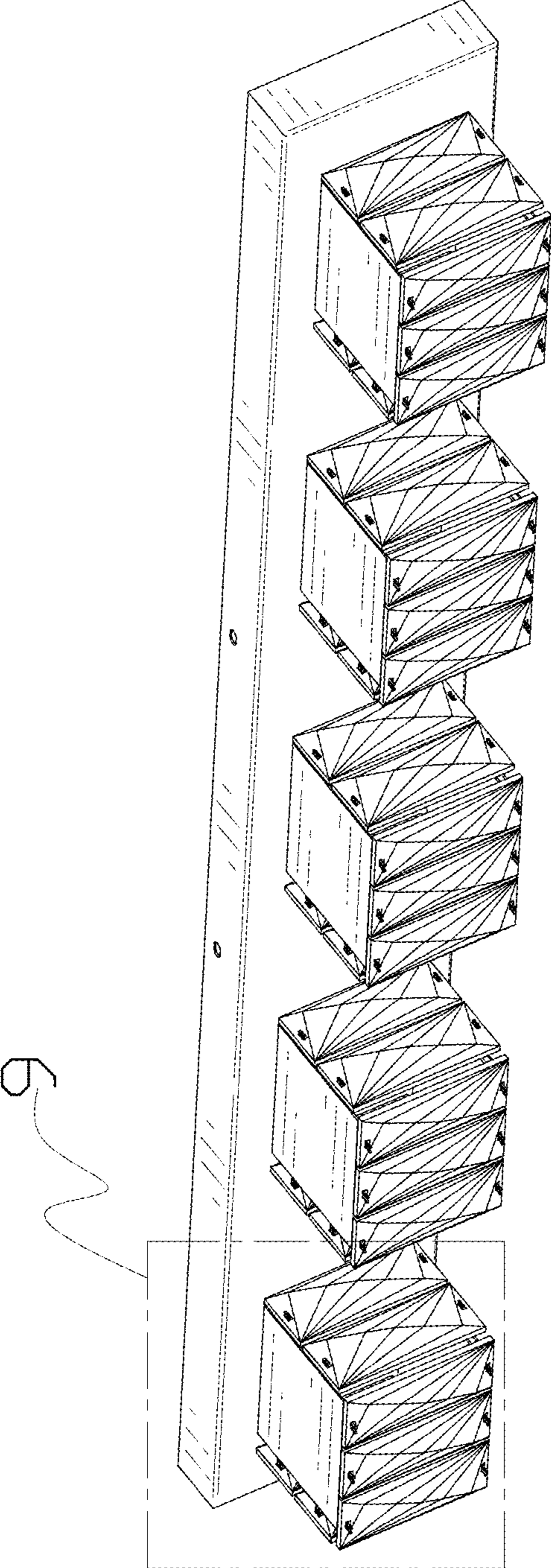


FIG. 1



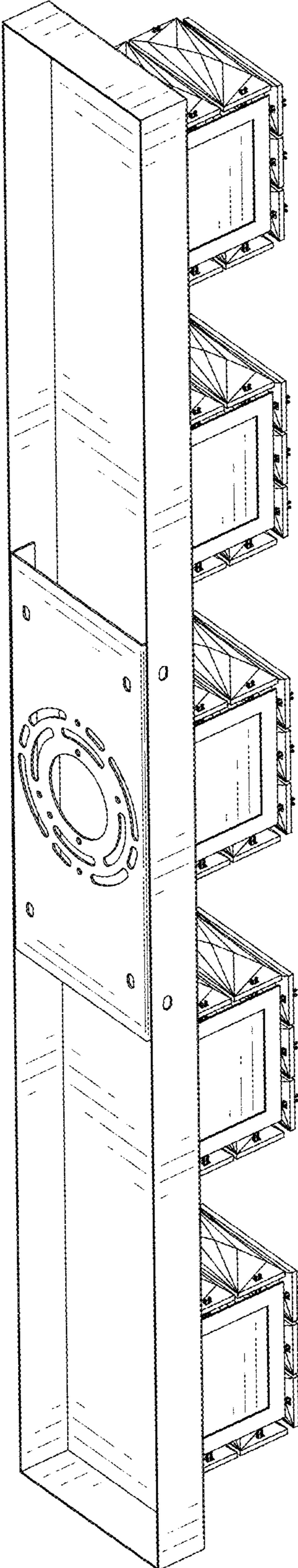


FIG. 2

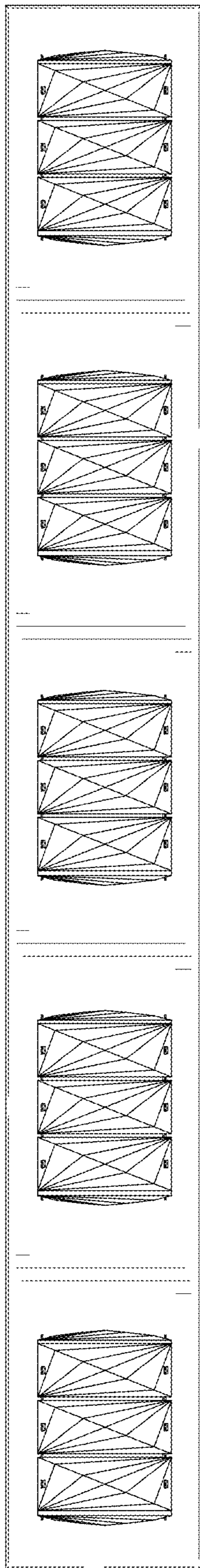


FIG. 3

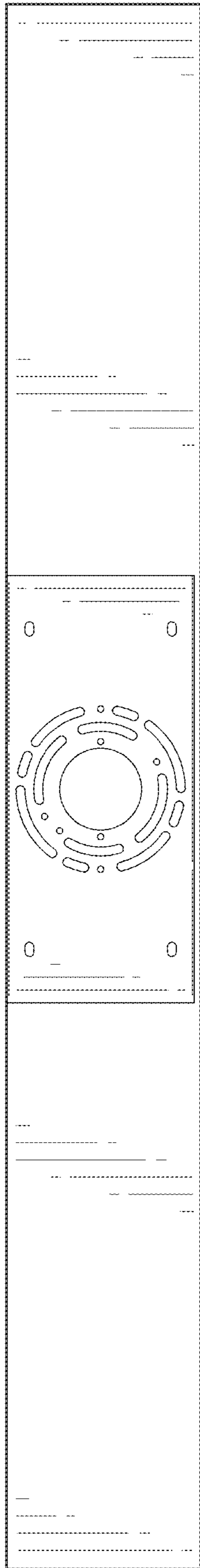


FIG. 4

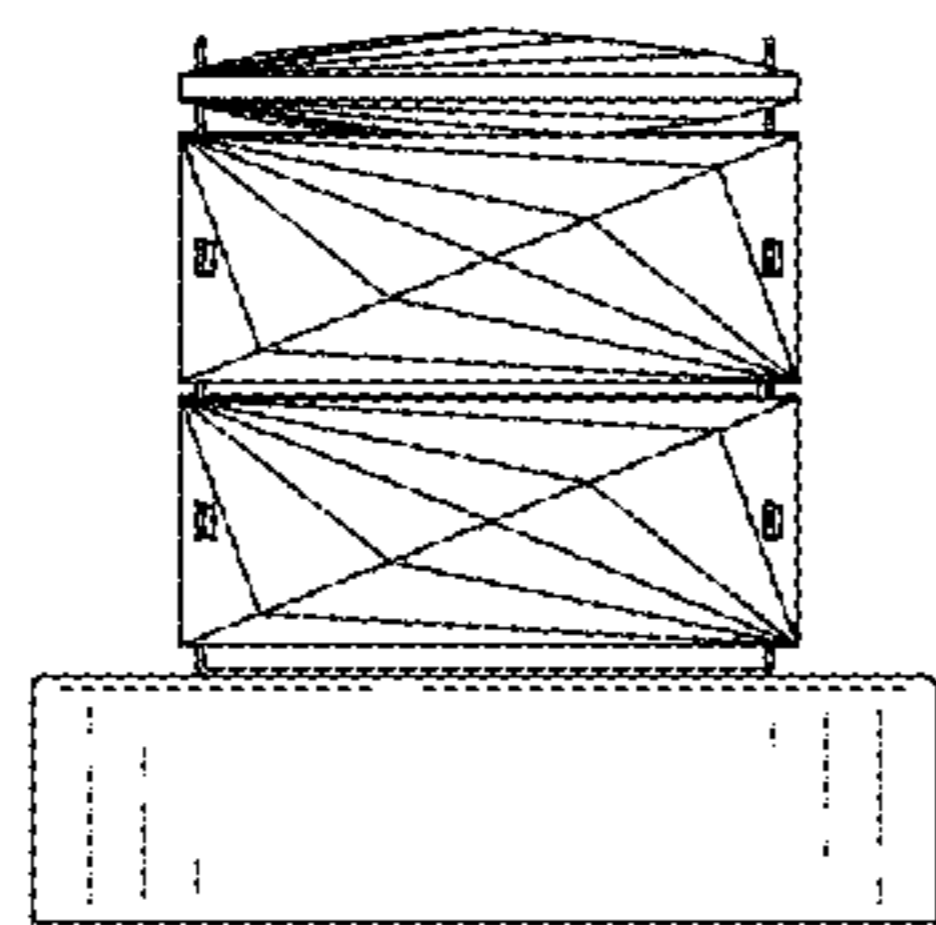


FIG. 5

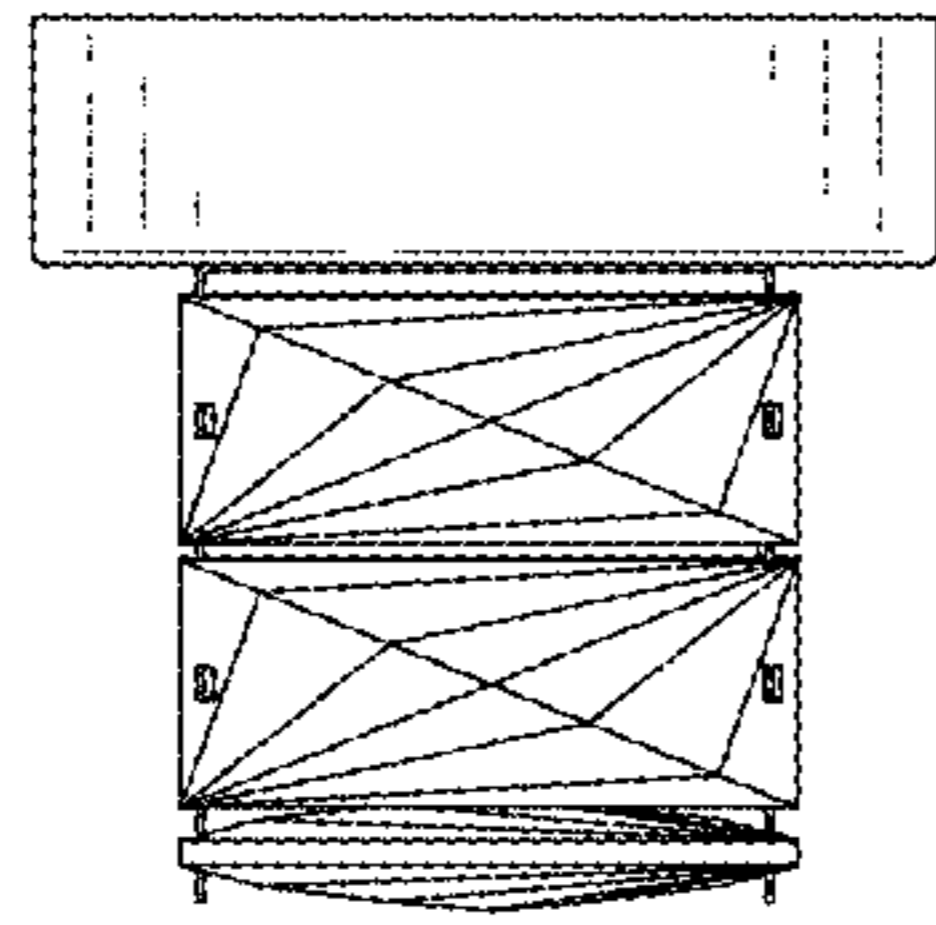


FIG. 6



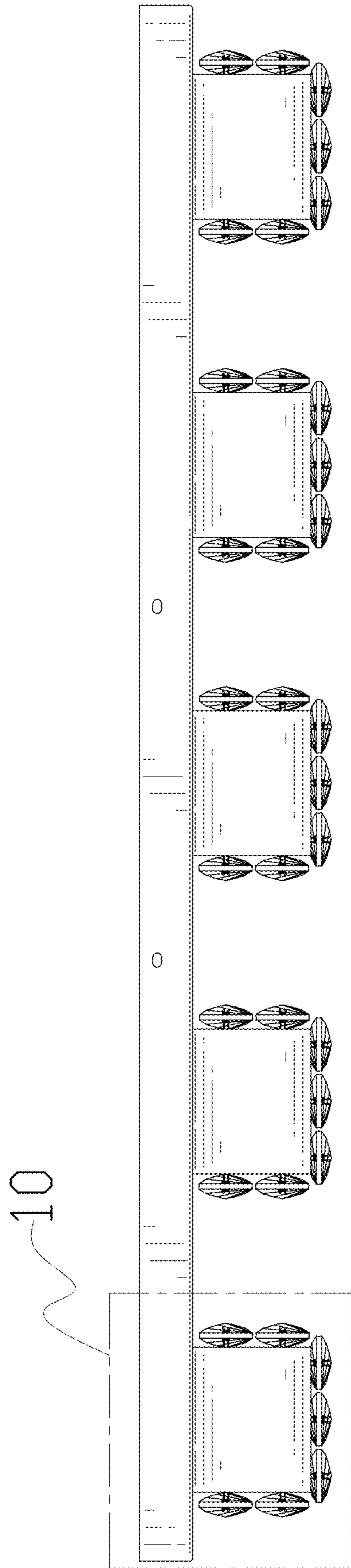


FIG. 7

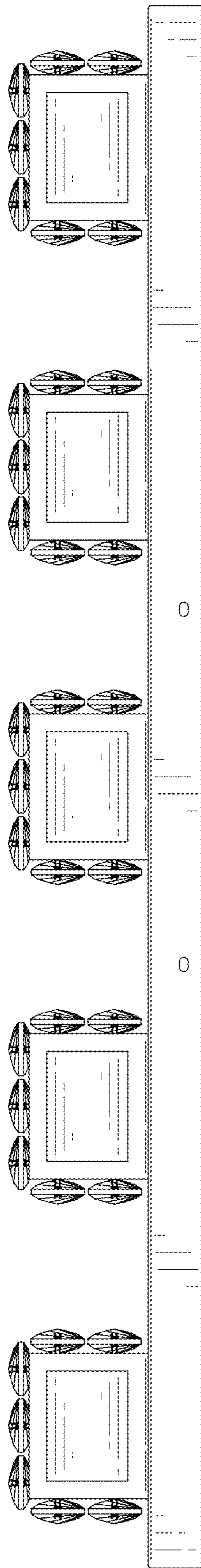


FIG. 8

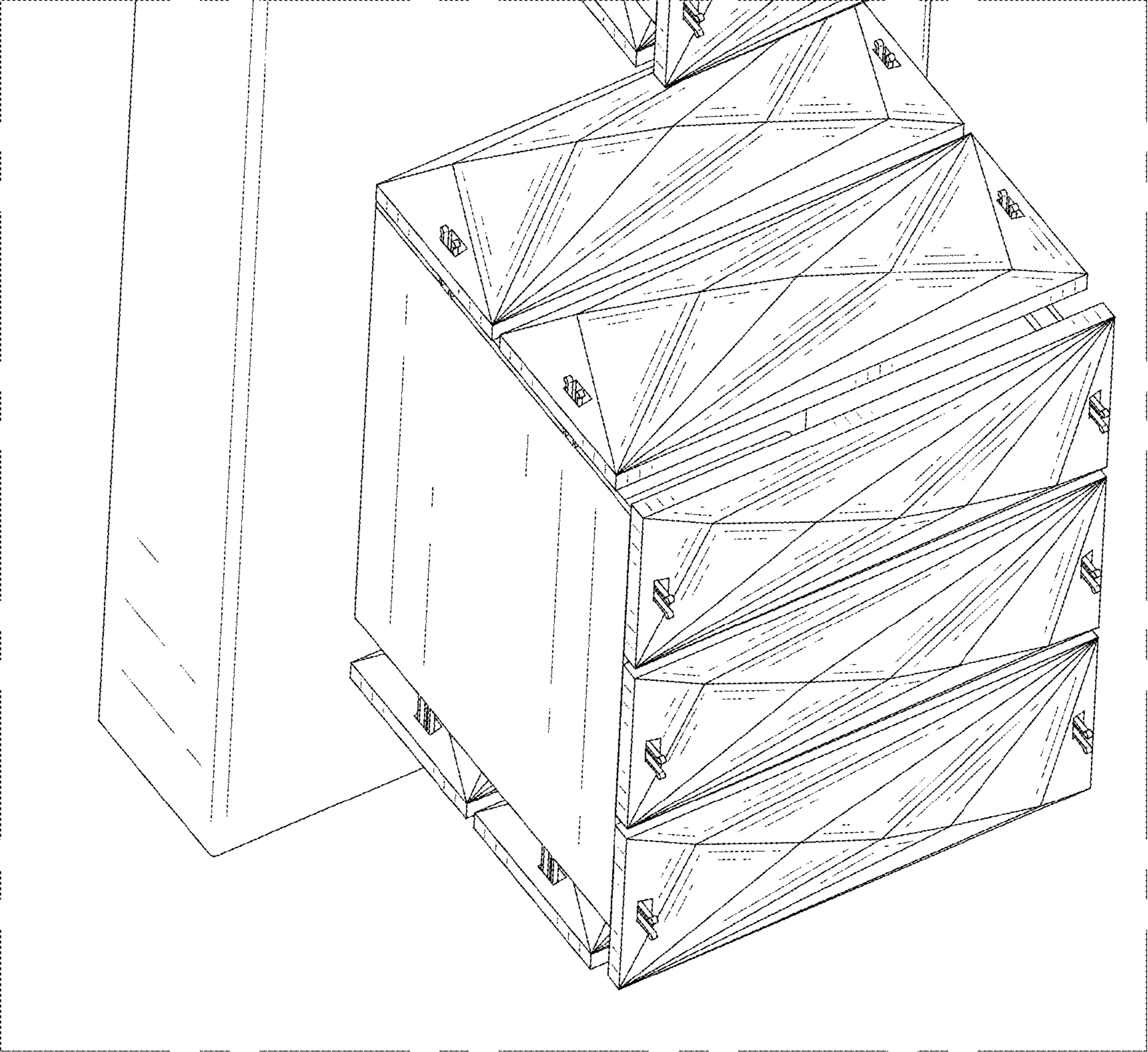


FIG. 9

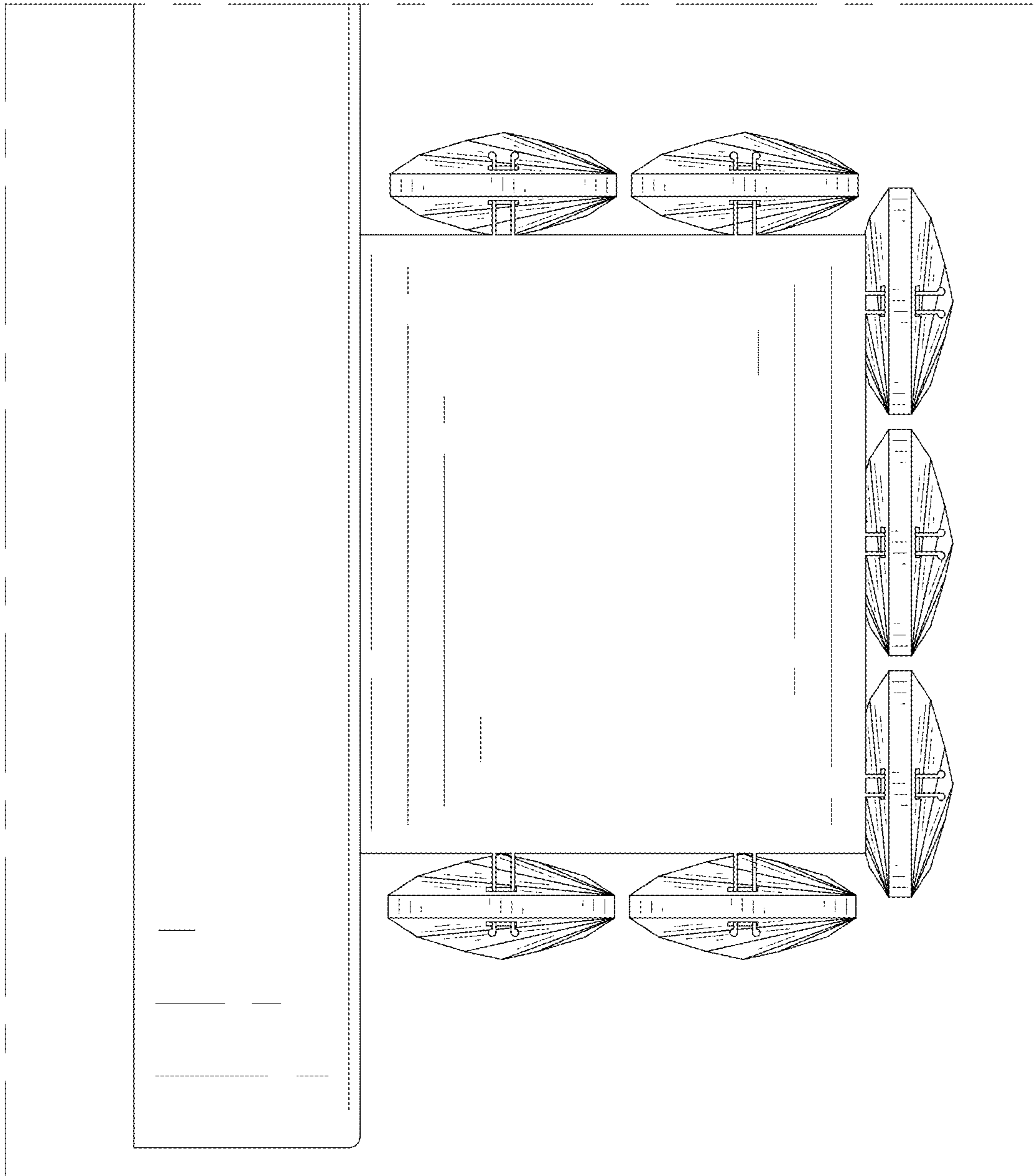


FIG. 10



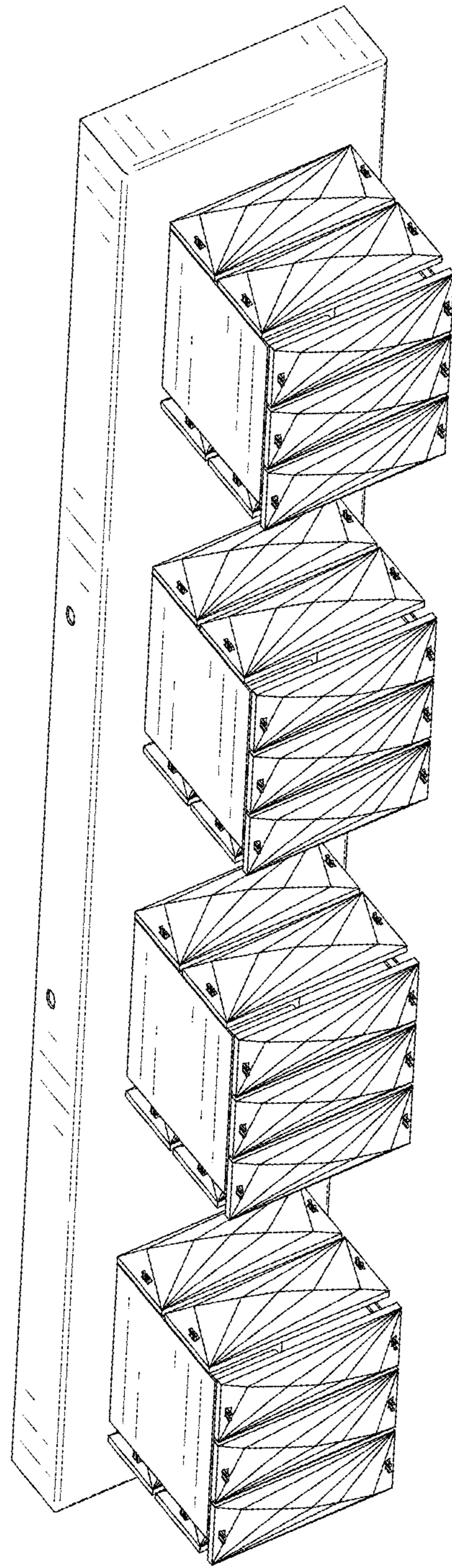


FIG. 11



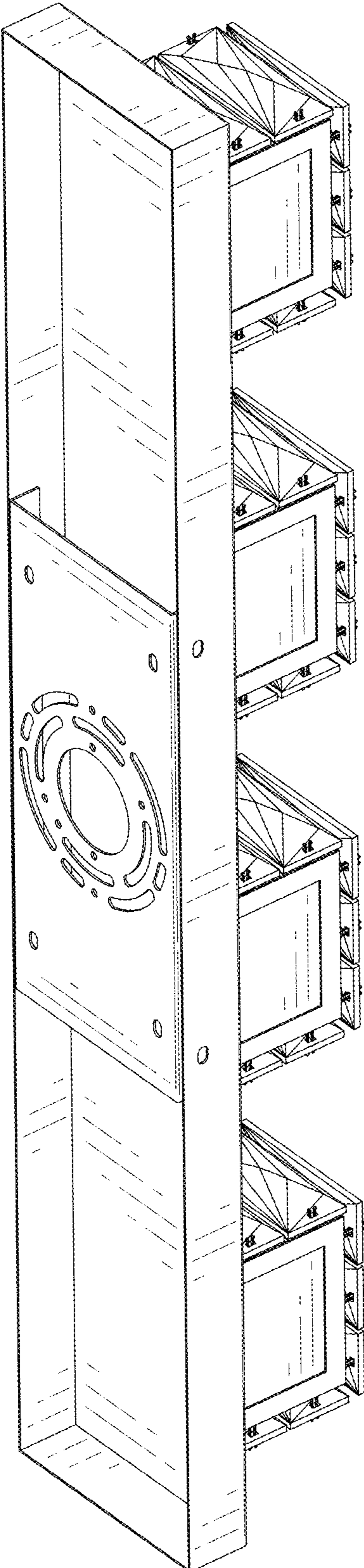


FIG. 12

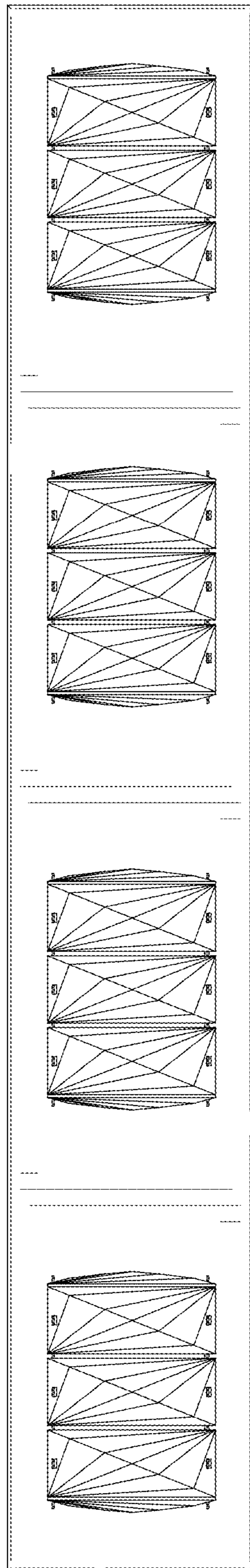


FIG. 13

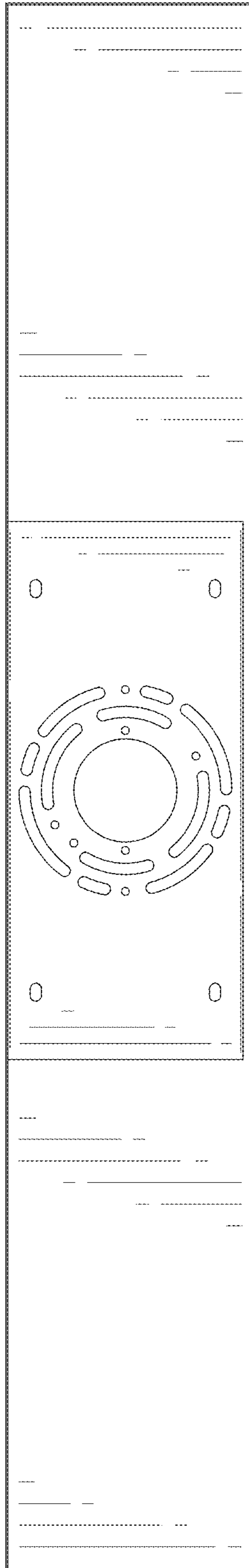


FIG. 14

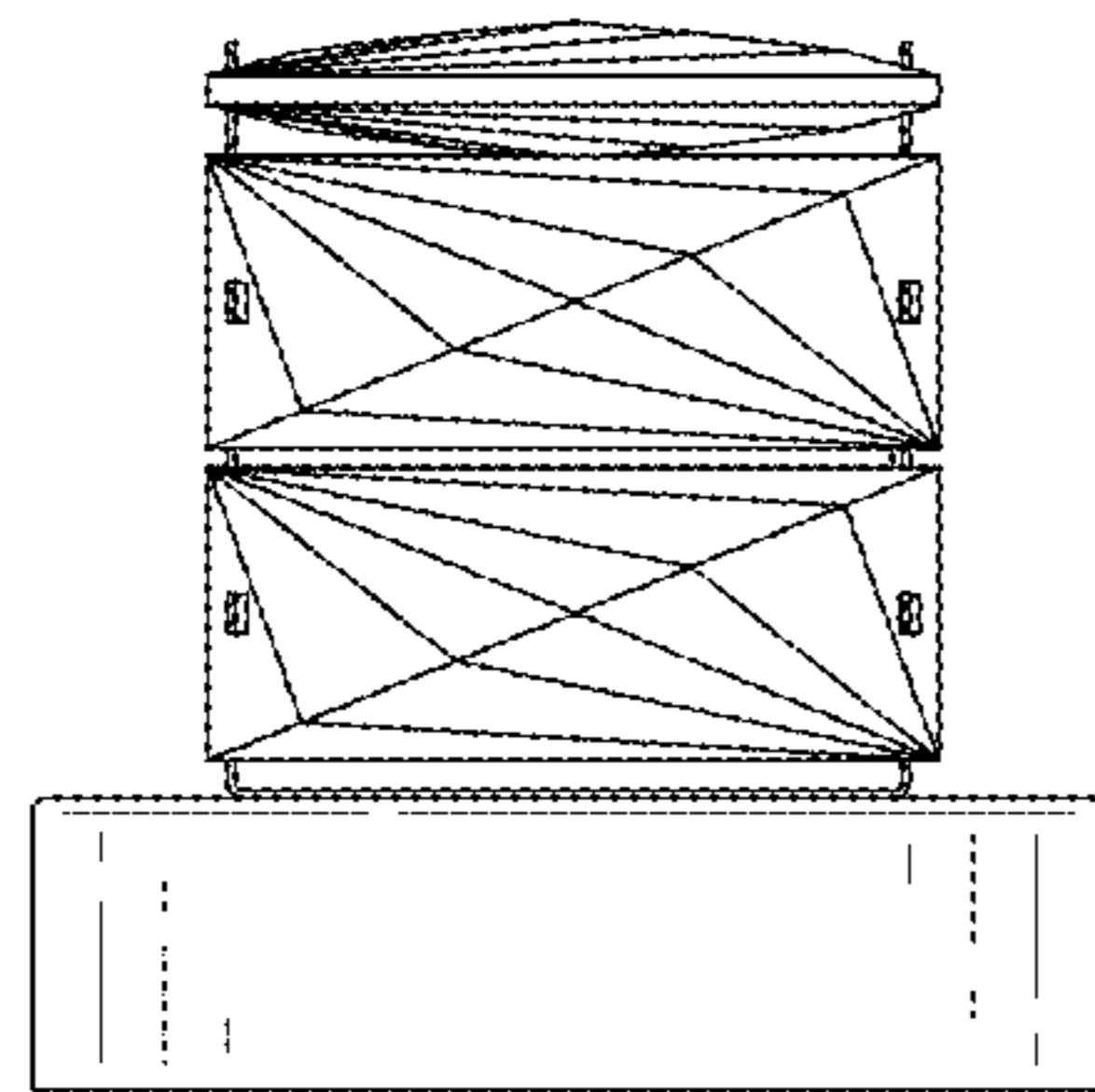


FIG. 15

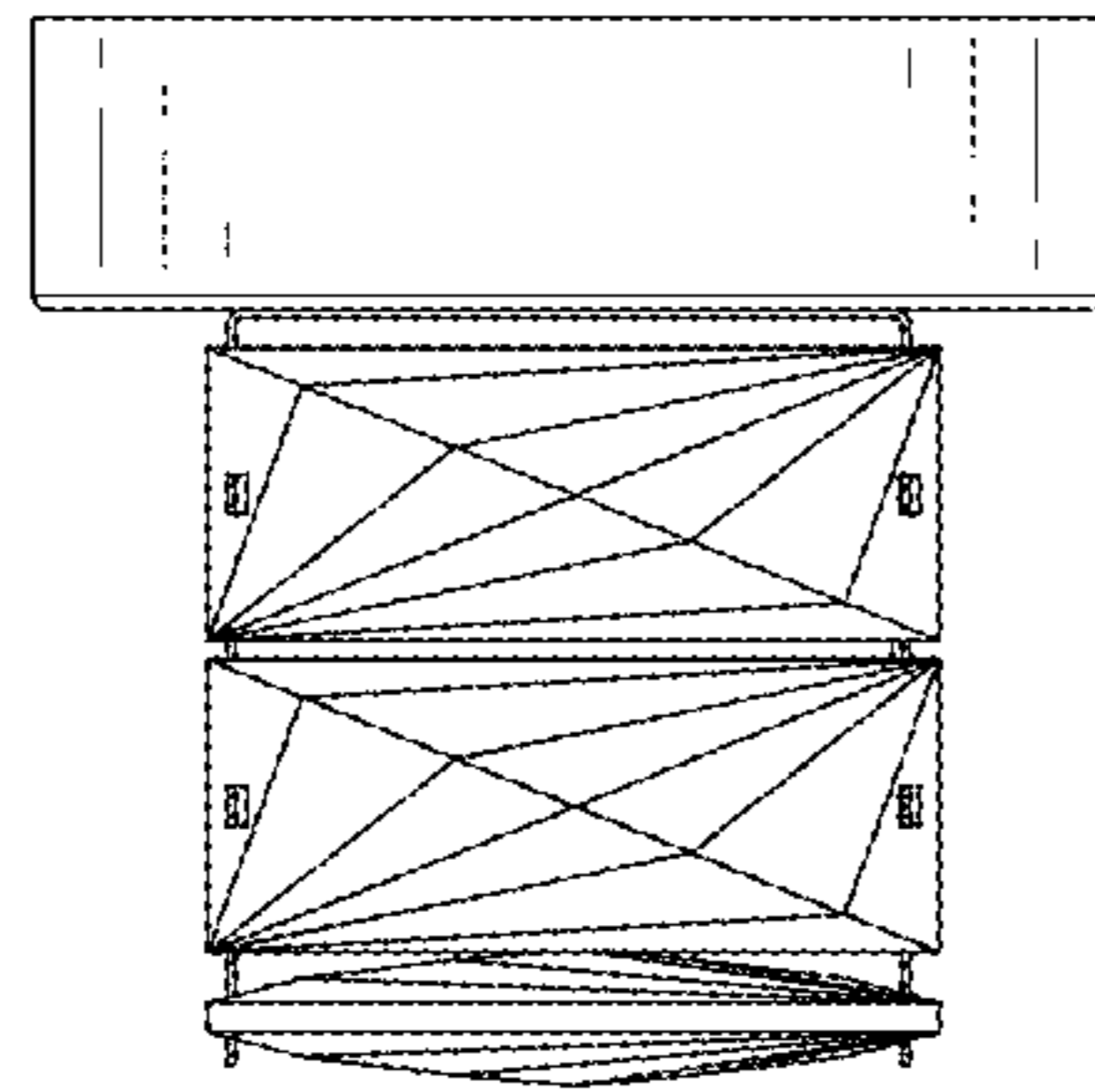


FIG. 16



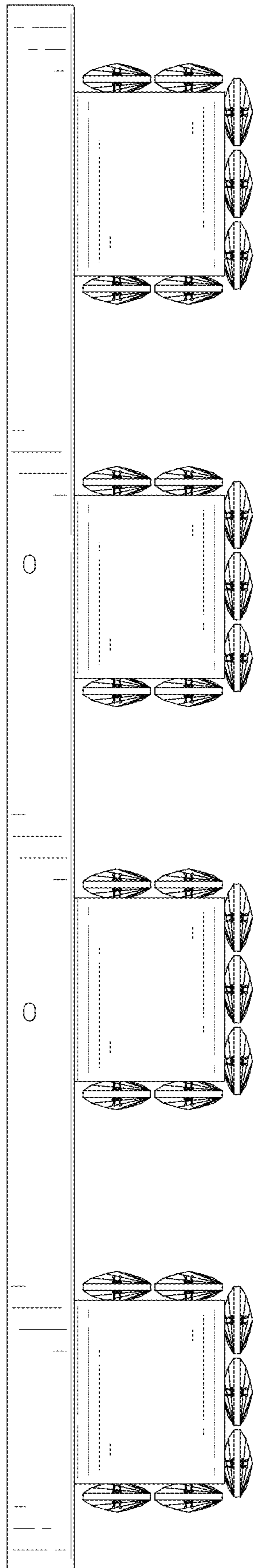


FIG. 17

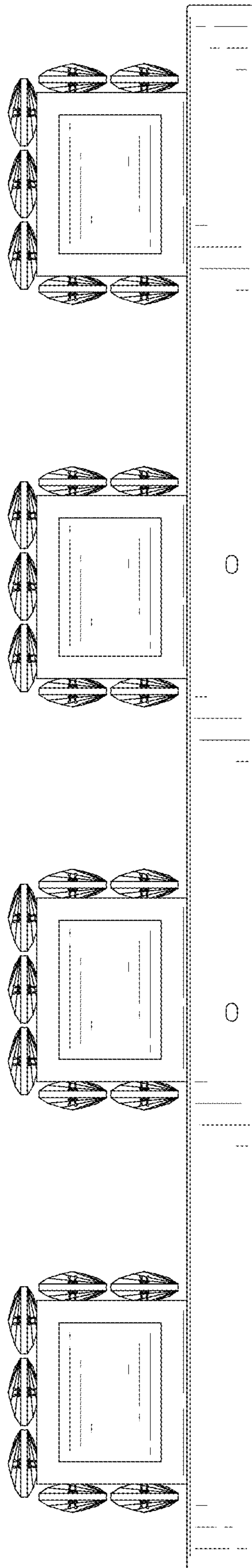


FIG. 18

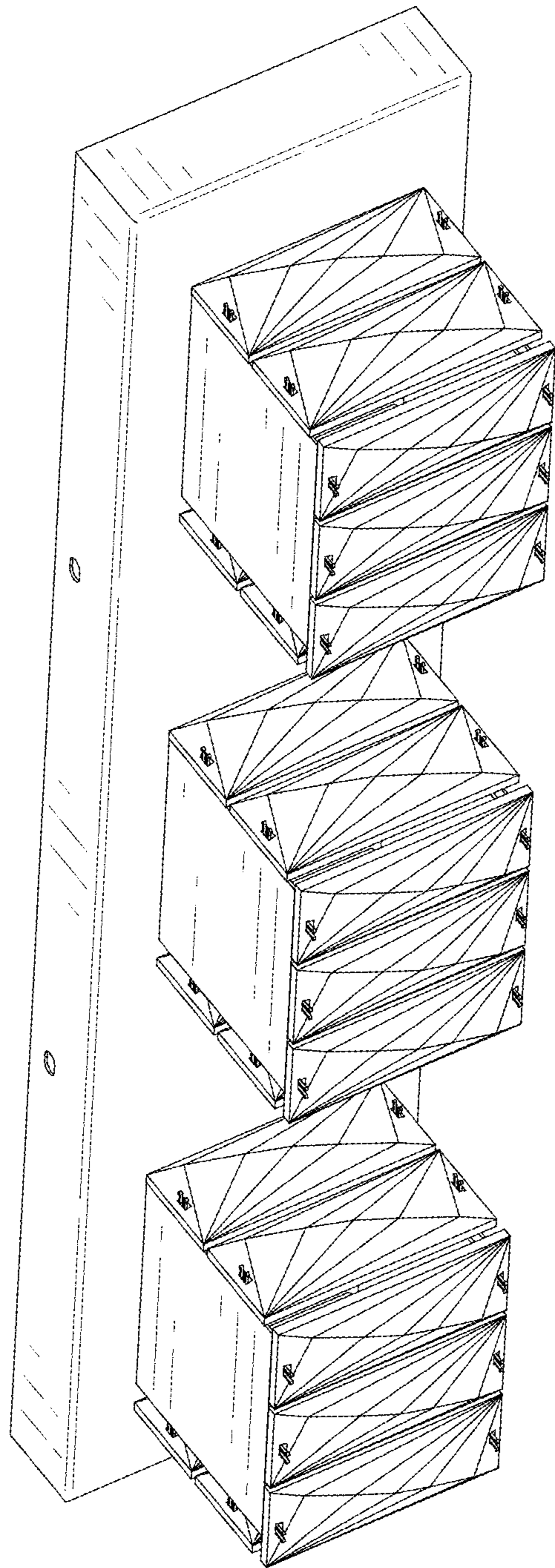


FIG. 19

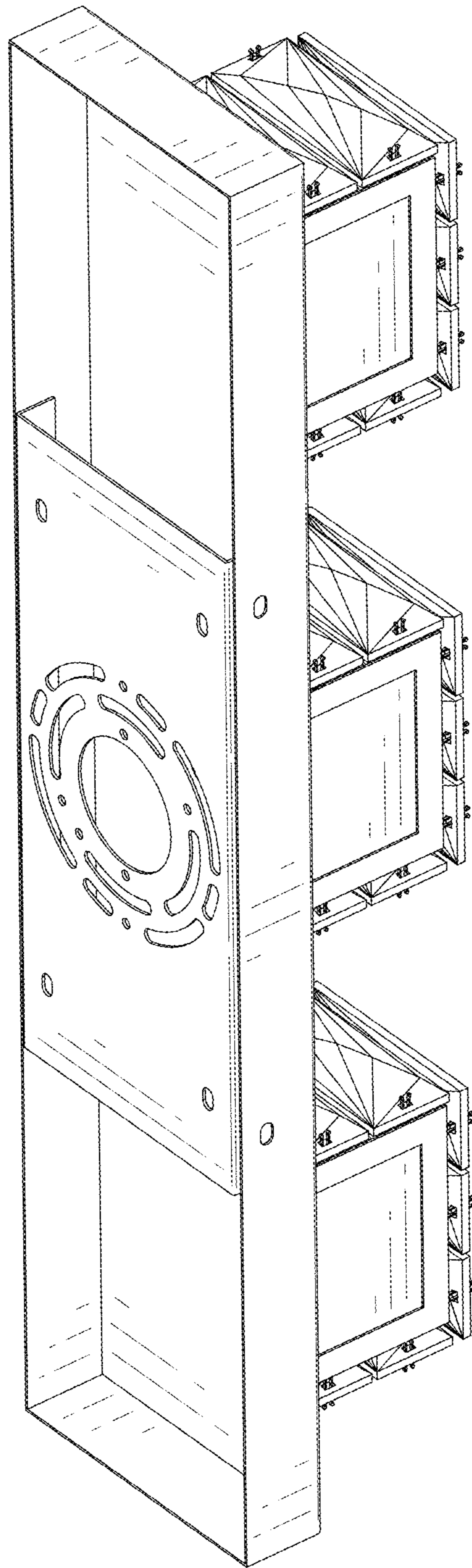


FIG. 20

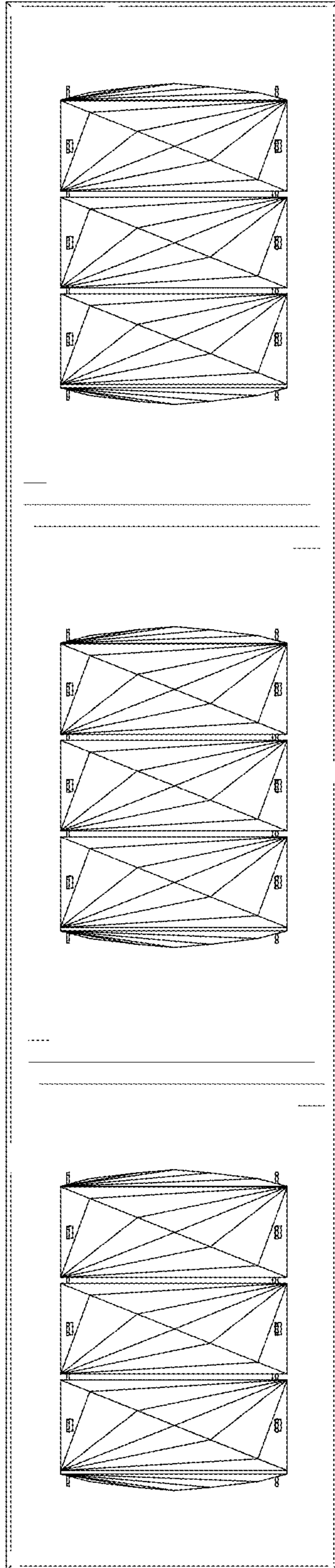


FIG. 21



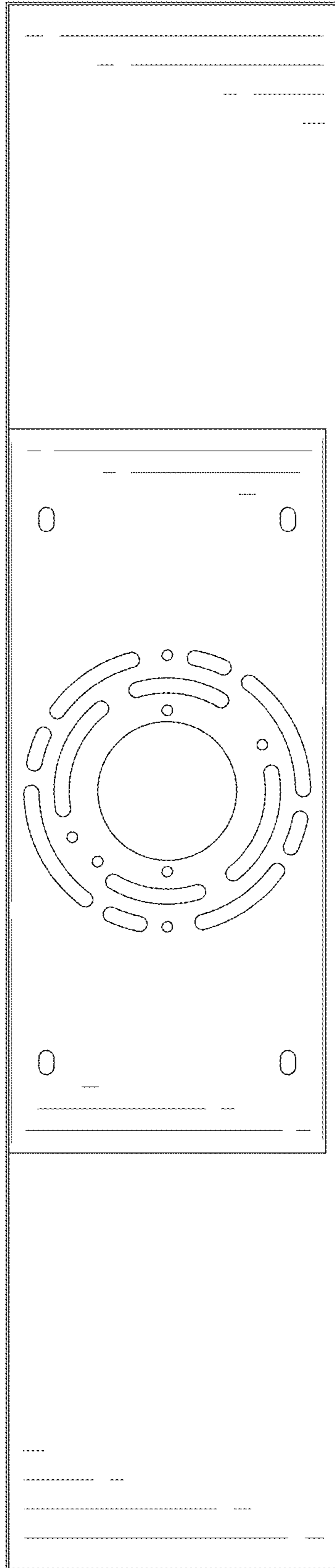


FIG. 22

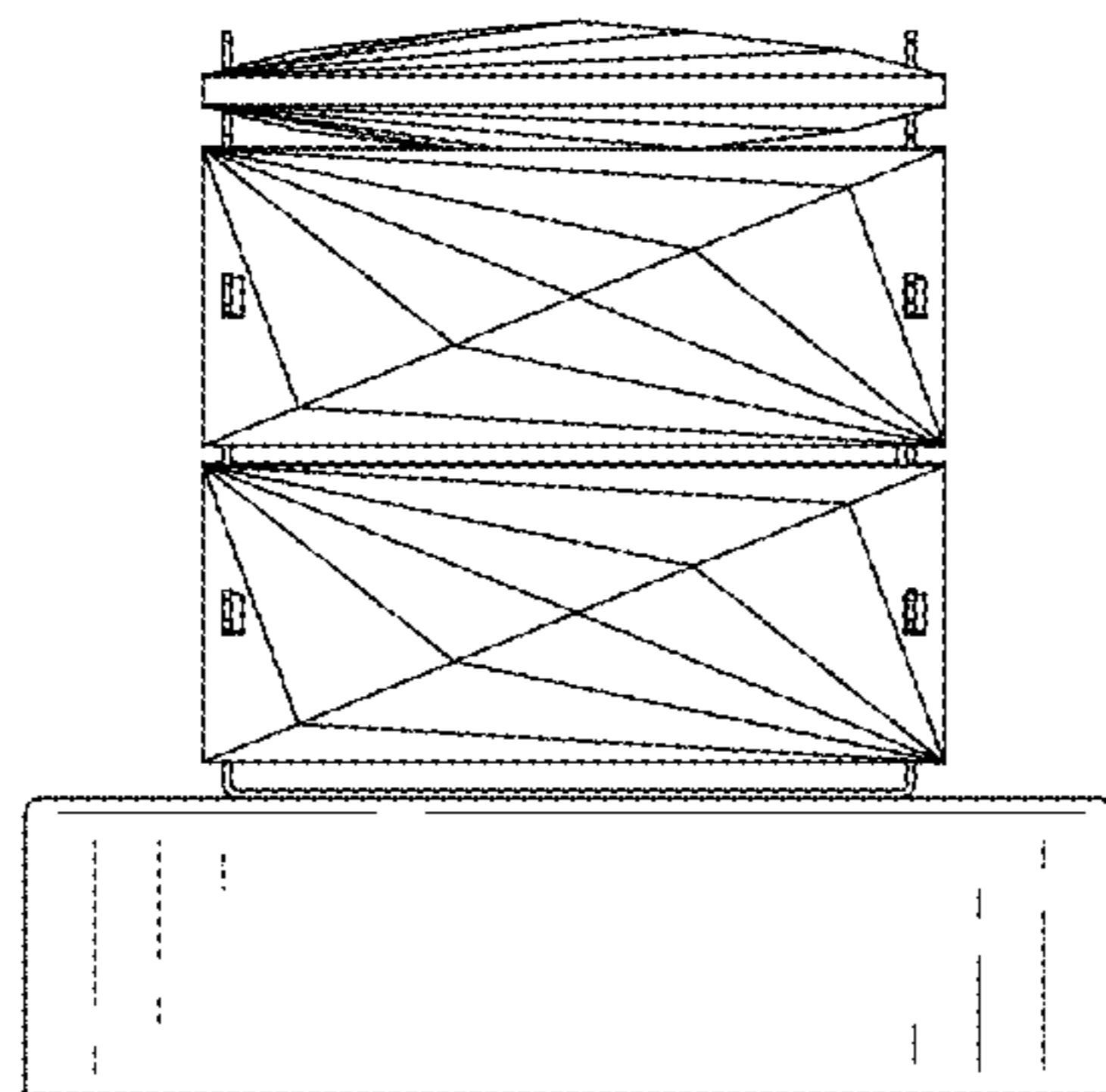


FIG. 23

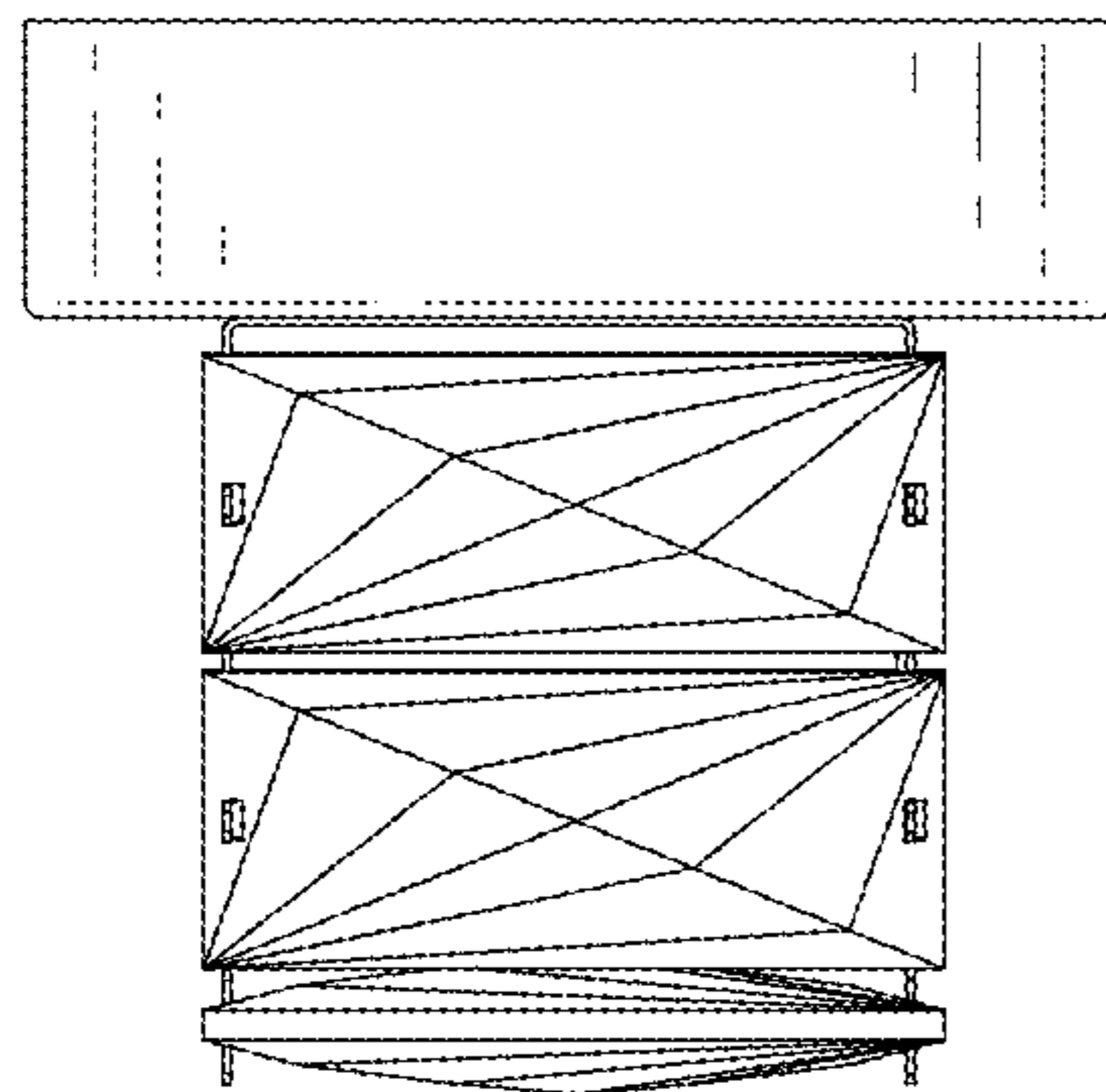


FIG. 24

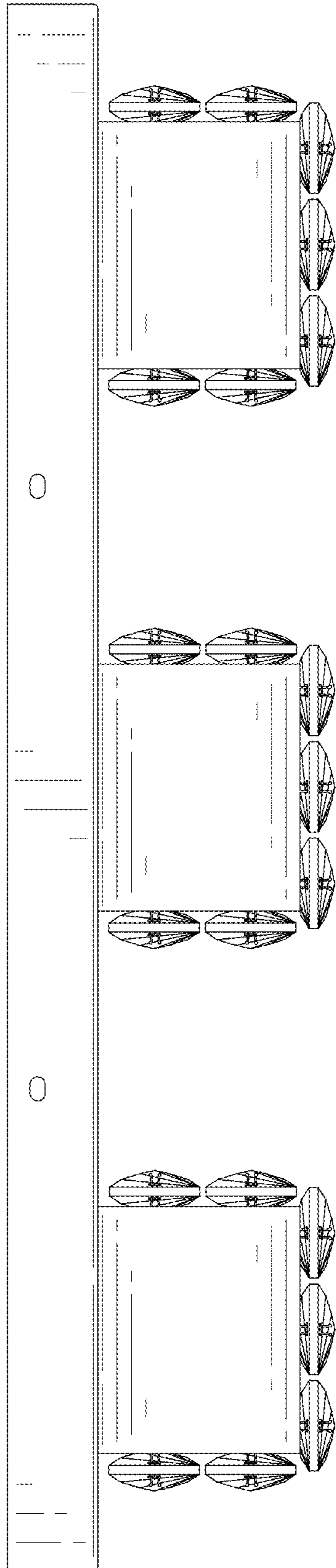


FIG. 25

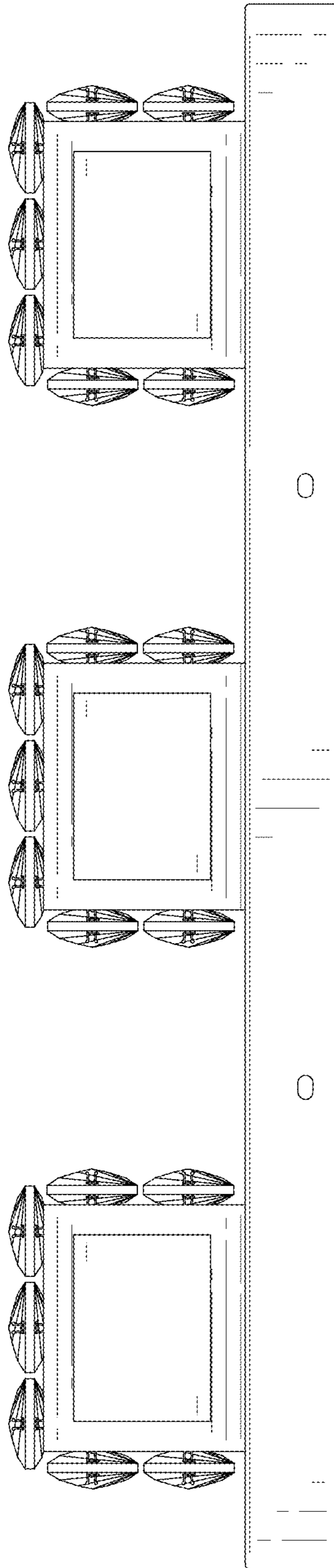


FIG. 26