



US00D888314S

(12) **United States Design Patent** (10) **Patent No.:** **US D888,314 S**  
**Mangold et al.** (45) **Date of Patent:** **\*\* Jun. 23, 2020**

(54) **LED LAMP**

FOREIGN PATENT DOCUMENTS

(71) Applicant: **STEGO-HOLDING GMBH**,  
Schwäbisch Hall (DE)

AT 7212 U2 11/2004  
DE 3011094 A1 10/1981  
(Continued)

(72) Inventors: **Elmar Mangold**, Zoebingen (DE);  
**Bernd Armin Schanzenbach**,  
Geisselhardt (DE); **Robert Dent**,  
Schwaebisch Hall (DE)

OTHER PUBLICATIONS

International Search Report issued (in German and its English translation) in PCT/EP2019/060172, dated Jul. 15, 2019, 27 pages.  
(Continued)

(\*\*) Term: **15 Years**

*Primary Examiner* — Natasha Vujcic

(21) Appl. No.: **35/506,656**

(57) **CLAIM**

(22) Filed: **Oct. 15, 2018**

The ornamental design for an LED Lamp, as shown and described.

(80) **Hague Agreement Data**

**DESCRIPTION**

Int. Filing Date: **Oct. 15, 2018**  
Int. Reg. No.: **DM/200058**  
Int. Reg. Date: **Oct. 15, 2018**  
Int. Reg. Pub. Date: **Apr. 19, 2019**

- 1.-3. LED lamp
- 1.1 is a top perspective view
- 1.2 is a right side view.
- 1.3 is a left side view.
- 1.4 is a front view.
- 1.5 is a rear view.
- 1.6 is a top view.
- 1.7 is a bottom view.
- 2.1 is a top perspective view
- 2.2 is a right side view.
- 2.3 is a left side view.
- 2.4 is a front view.
- 2.5 is a rear view.
- 2.6 is a top view.
- 2.7 is a bottom view.
- 3.1 is a top perspective view
- 3.2 is a right side view.
- 3.3 is a left side view.
- 3.4 is a front view.
- 3.5 is a rear view.
- 3.6 is a top view.
- 3.7 is a bottom view.

(30) **Foreign Application Priority Data**

Apr. 16, 2018 (EM) ..... 005234903

(51) **LOC (12) Cl.** ..... **26-04**

(52) **U.S. Cl.**  
USPC ..... **D26/76**

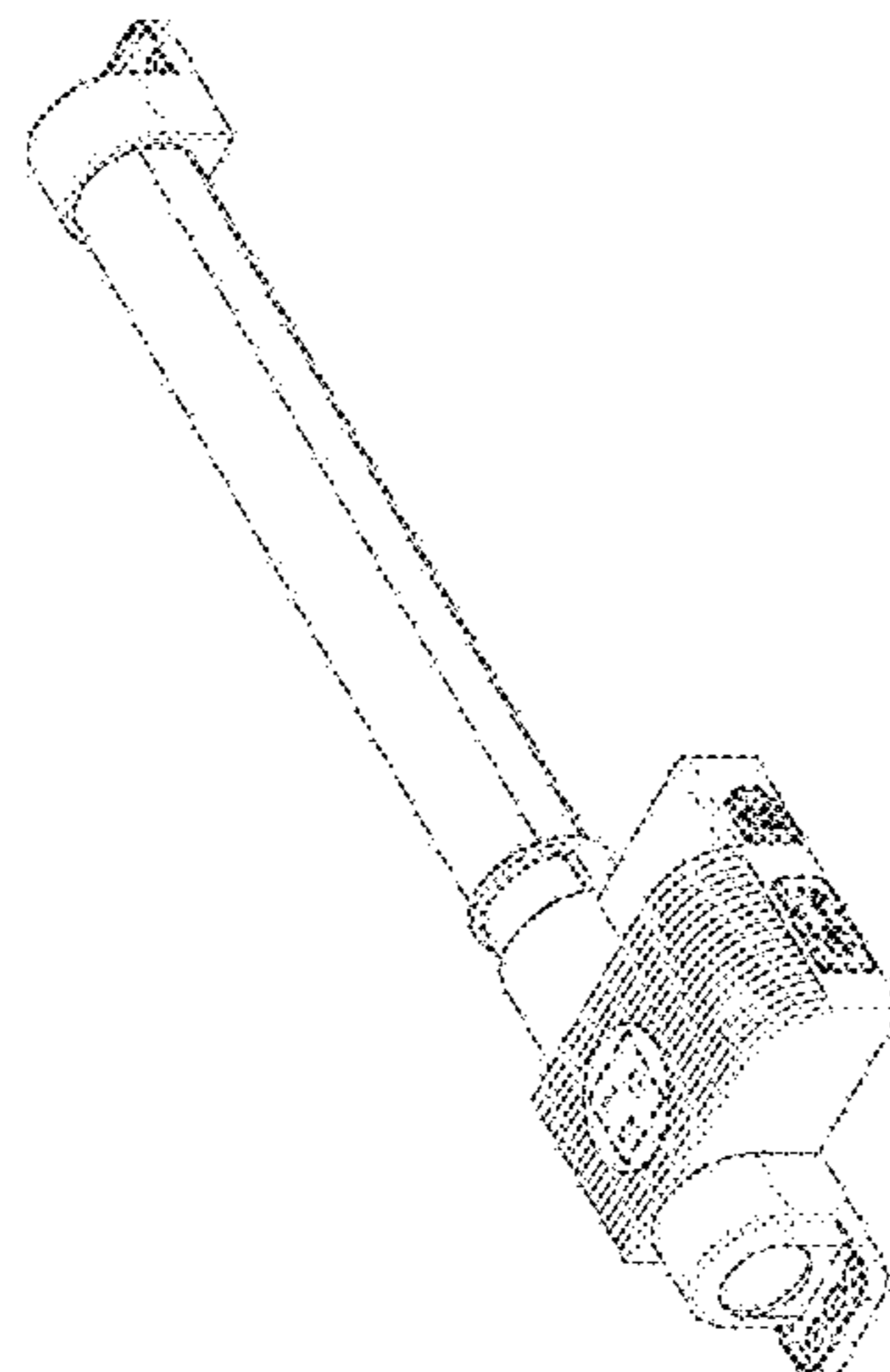
(58) **Field of Classification Search**  
USPC ..... D26/72, 74, 76, 78-83, 85, 86, 88, 90,  
D26/93, 111, 113, 118, 119, 120, 121,  
D26/122, 138, 139, 140, 141, 142, 152  
(Continued)

(56) **References Cited**

U.S. PATENT DOCUMENTS

D446,877 S \* 8/2001 Lester ..... D26/72  
D550,885 S \* 9/2007 Crosby ..... D26/75  
(Continued)

The broken lines in the drawings illustrate portions of the LED Lamp which forms no part of the claimed design.  
(Continued)



The LED lamps create ideal round-the-clock lighting in enclosures and cabinets.

**1 Claim, 21 Drawing Sheets**

(58) **Field of Classification Search**

CPC ..... F21S 2/00; F21S 4/00; F21S 4/003; F21S 4/005; F21S 4/006; F21S 4/007; F21S 4/008; F21S 6/00; F21S 8/00; F21S 8/024; F21S 8/026; F21S 8/031; F21S 8/033; F21S 8/035–8/037; F21S 8/04; F21S 8/043; F21S 8/063

See application file for complete search history.

(56) **References Cited**

U.S. PATENT DOCUMENTS

D554,793 S \* 11/2007 Bobel ..... D26/75  
 D556,359 S \* 11/2007 Cunius ..... D26/75  
 D603,079 S \* 10/2009 Toot ..... D26/118  
 8,847,475 B2 9/2014 Heil et al.  
 D750,308 S \* 2/2016 Rodgers ..... D26/76  
 D754,902 S \* 4/2016 Parker ..... D26/76  
 D785,229 S \* 4/2017 Noh ..... D26/76  
 D796,106 S \* 8/2017 Hoffmeister ..... D26/76  
 D796,721 S \* 9/2017 Boorum ..... D26/72

D799,733 S \* 10/2017 Recker ..... D26/76  
 D819,863 S \* 6/2018 Deng ..... D26/76  
 D823,519 S \* 7/2018 Adams ..... D26/76  
 D840,087 S \* 2/2019 Zeng ..... D26/76  
 D844,880 S \* 4/2019 Zeng ..... D26/76  
 D851,805 S \* 6/2019 Chen ..... D26/76  
 D862,766 S \* 10/2019 Kim ..... D26/76  
 D875,989 S \* 2/2020 Xie ..... D26/76  
 2015/0334790 A1 11/2015 Scapa et al.

FOREIGN PATENT DOCUMENTS

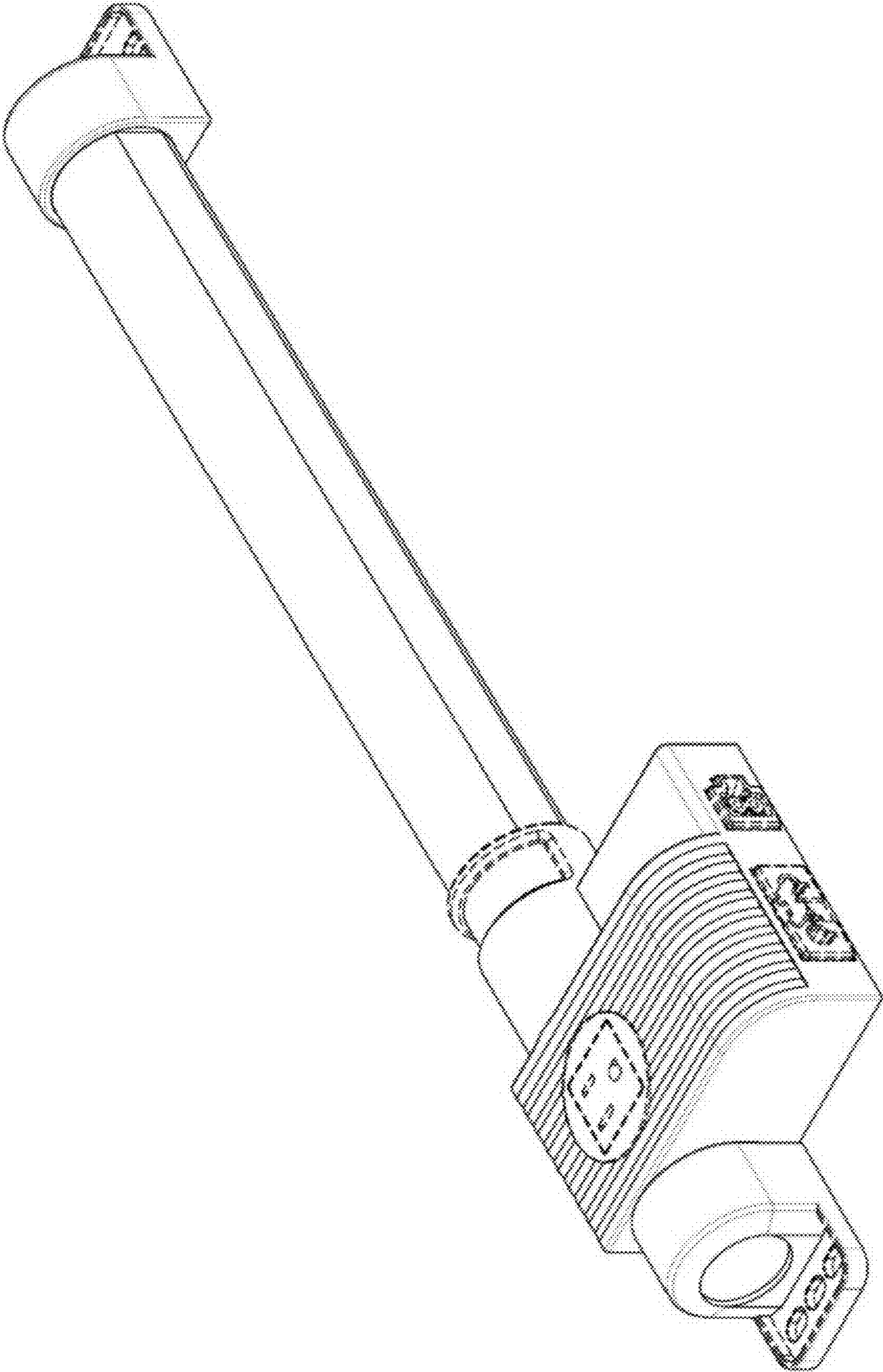
DE 202009008284 U1 10/2009  
 DE 102010019875 A1 11/2011  
 EP 2941096 A2 11/2015  
 WO 9522741 A1 8/1995

OTHER PUBLICATIONS

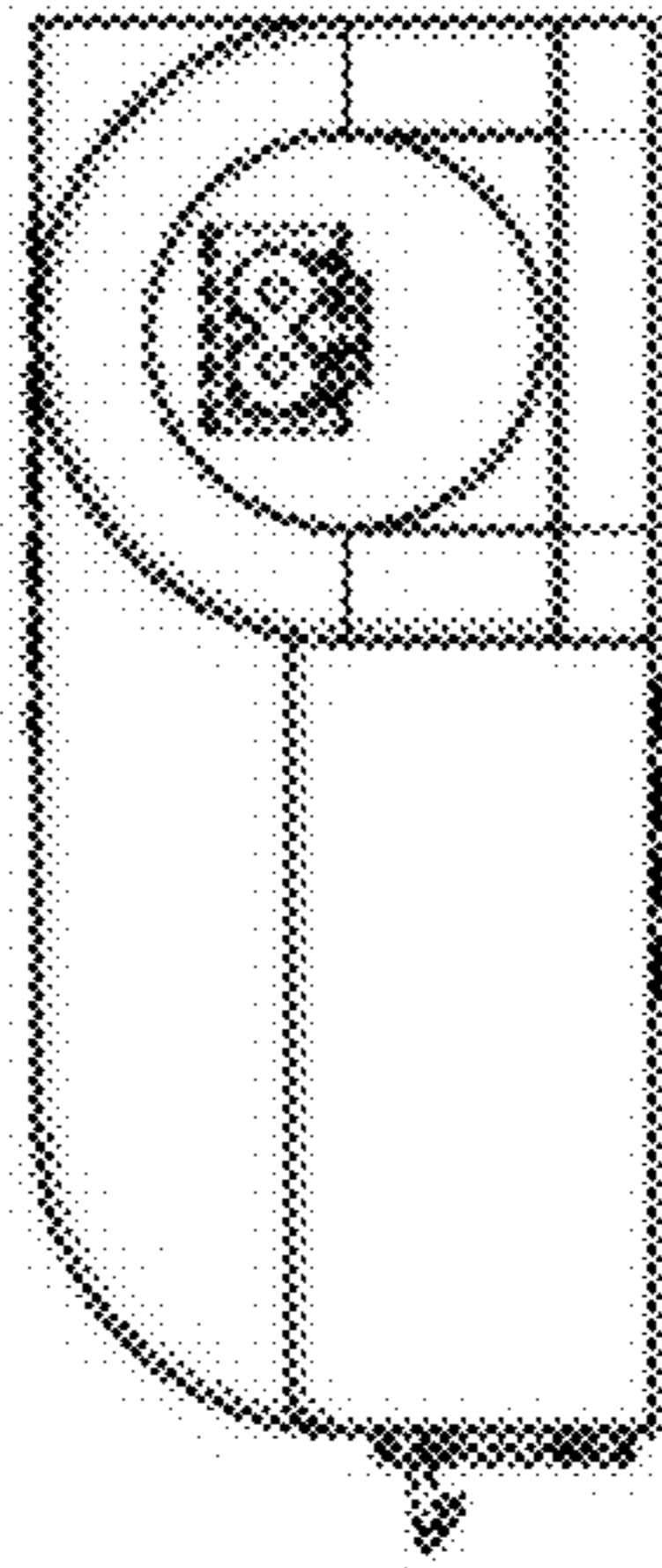
Gerd Weichhaus “LED cabinet lighting with reed contact—Electronic handicrafts”, cited in the International Search Report dated Jul. 15, 2019, in PCT/EP2019/060172; Aug. 19, 2016; available at URL:<https://bastelnmitelektronik.limdo.com/tinker-ger%C3%A4te-and-switchings/weitere-switchings-ger%C3%A4te-and-tinker-and-switchings/die-led-cabinet-lighting/>; 4 pages.  
 Office Action issued in International Design Application Registration No. DM/200058 on Jan. 15, 2019, 6 pages.

\* cited by examiner

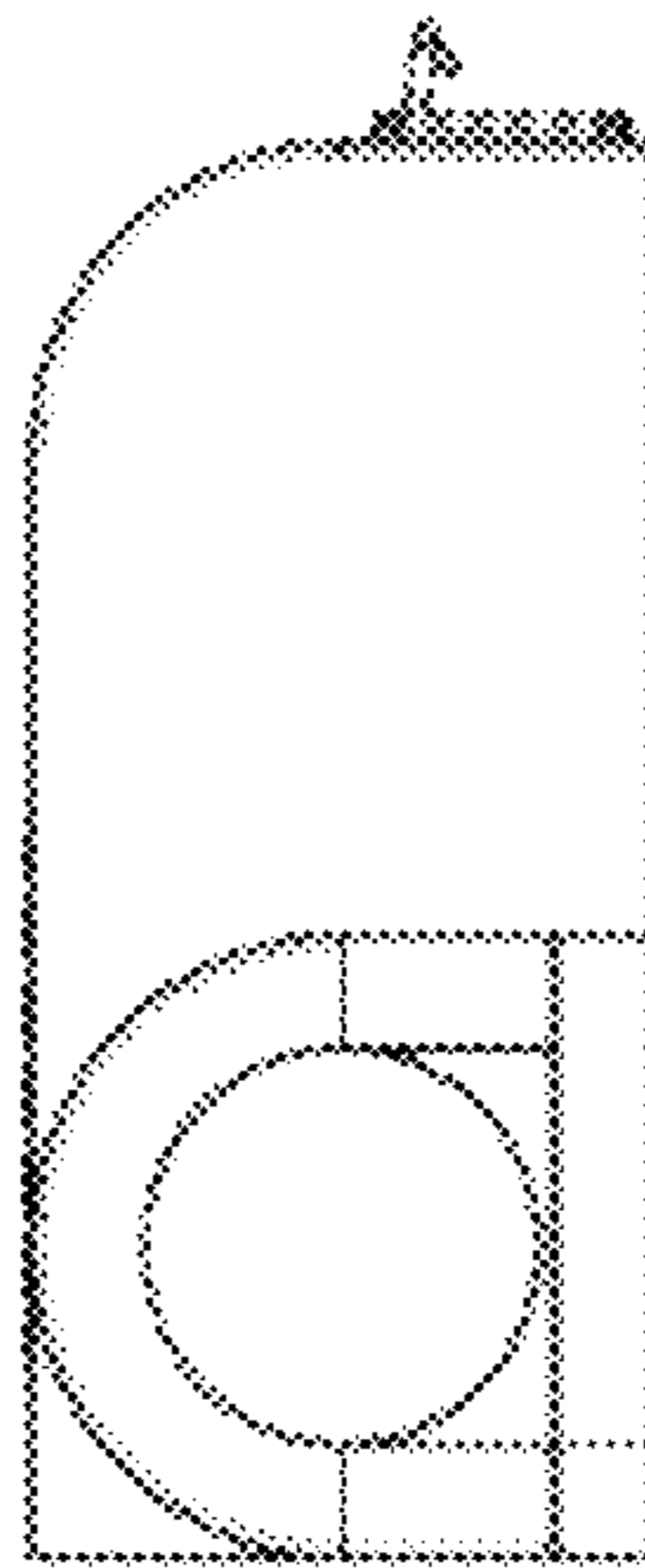
1.1



1.2

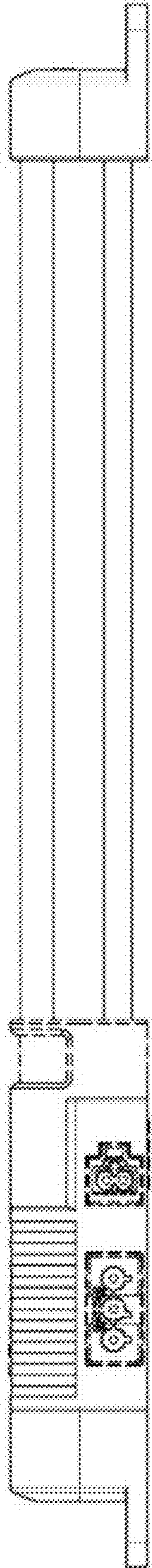


1.3

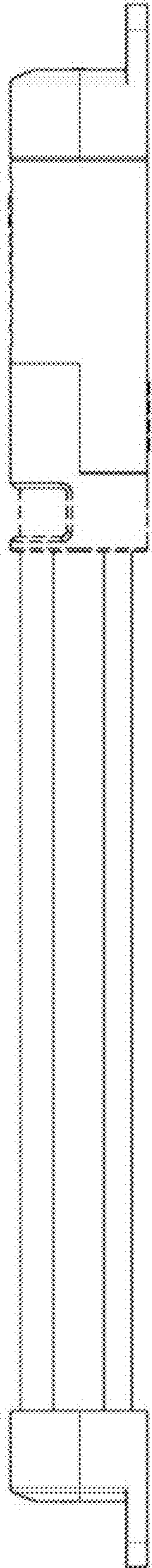




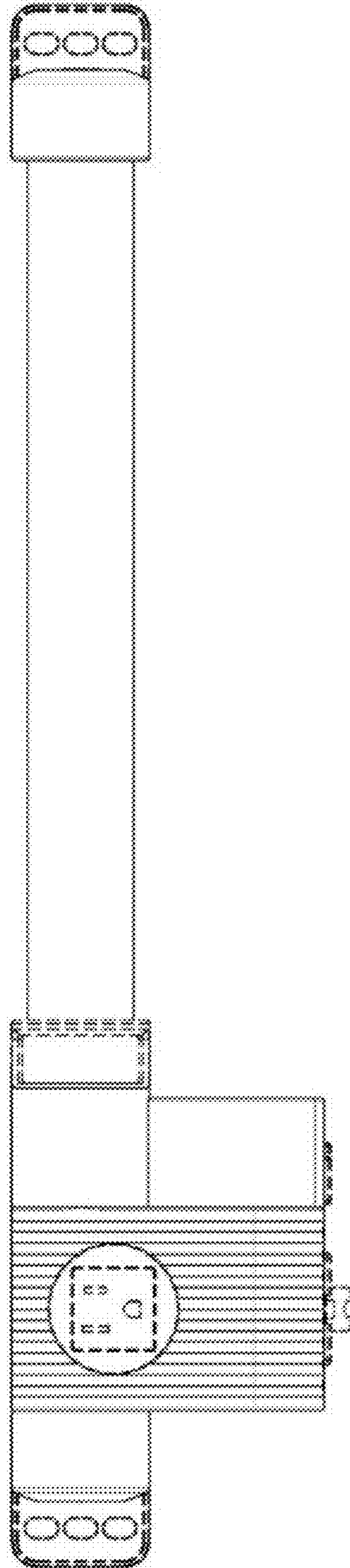
1.4



1.5

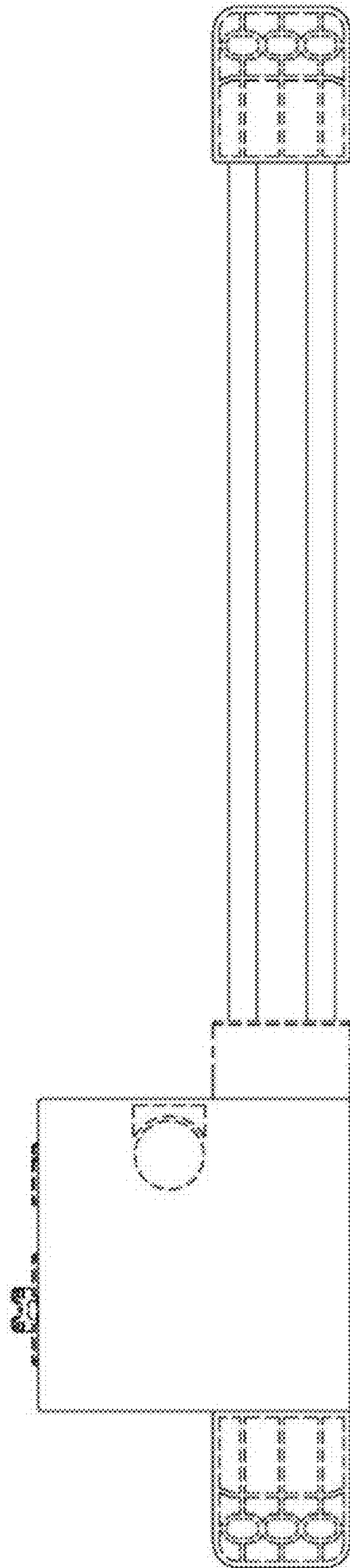


1.6

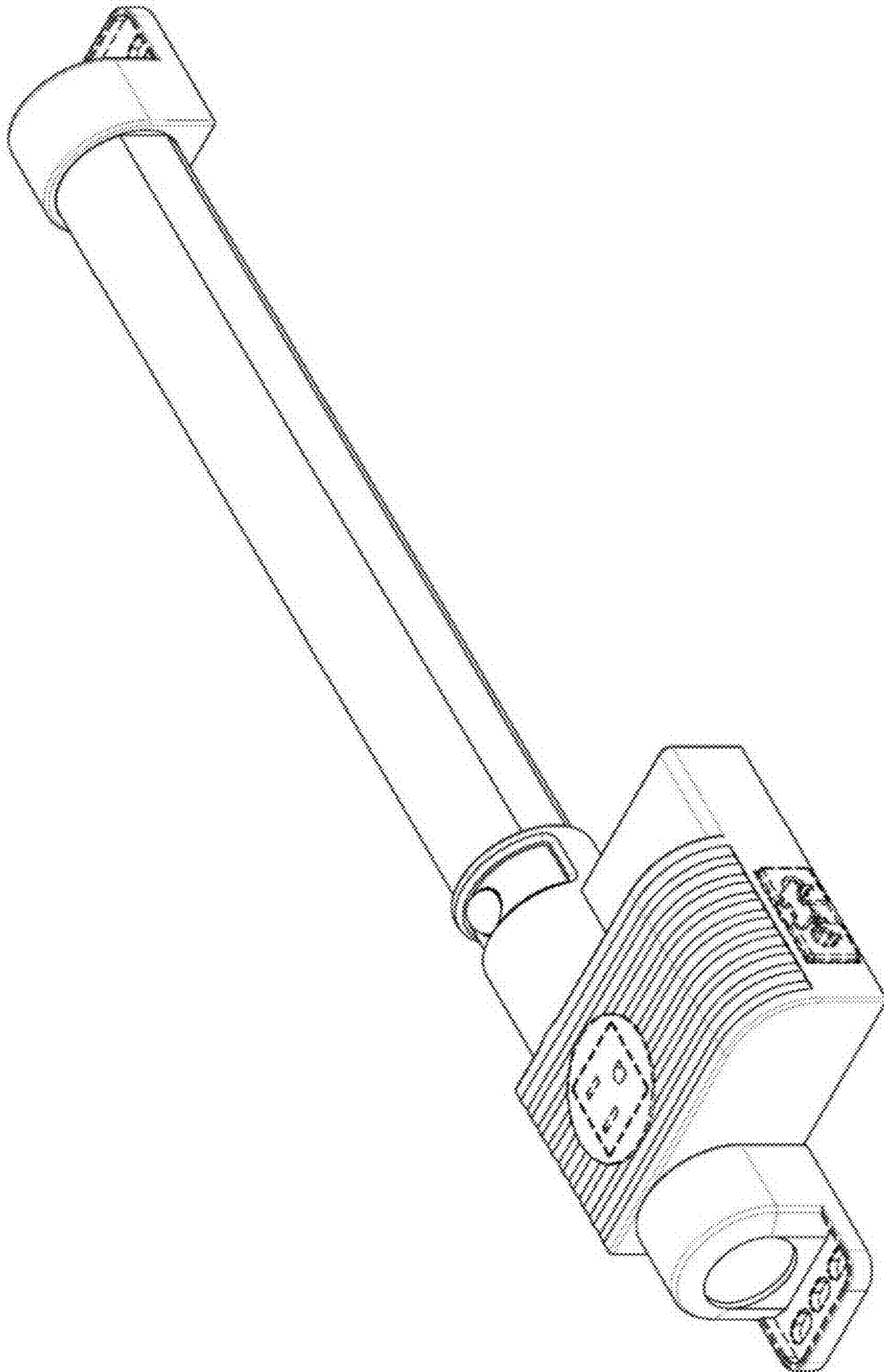




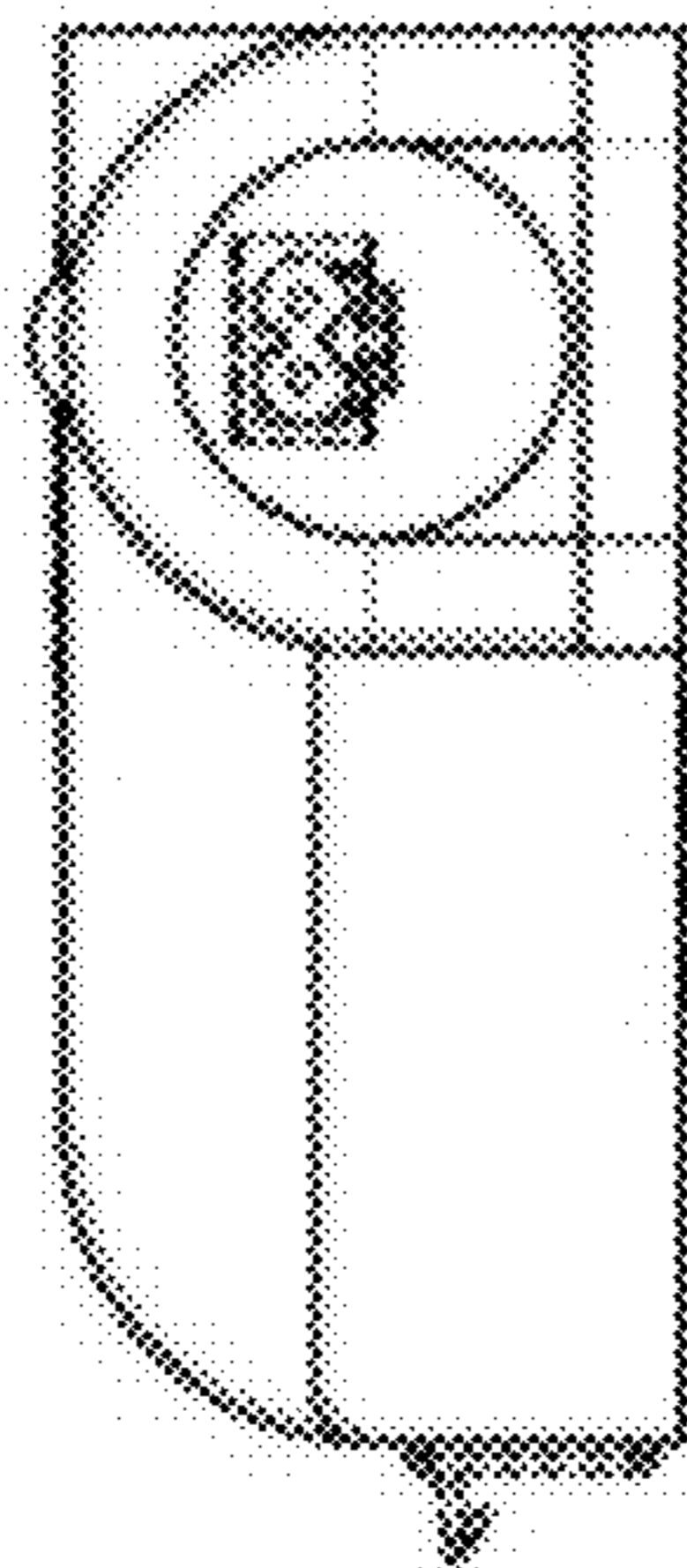
1.7



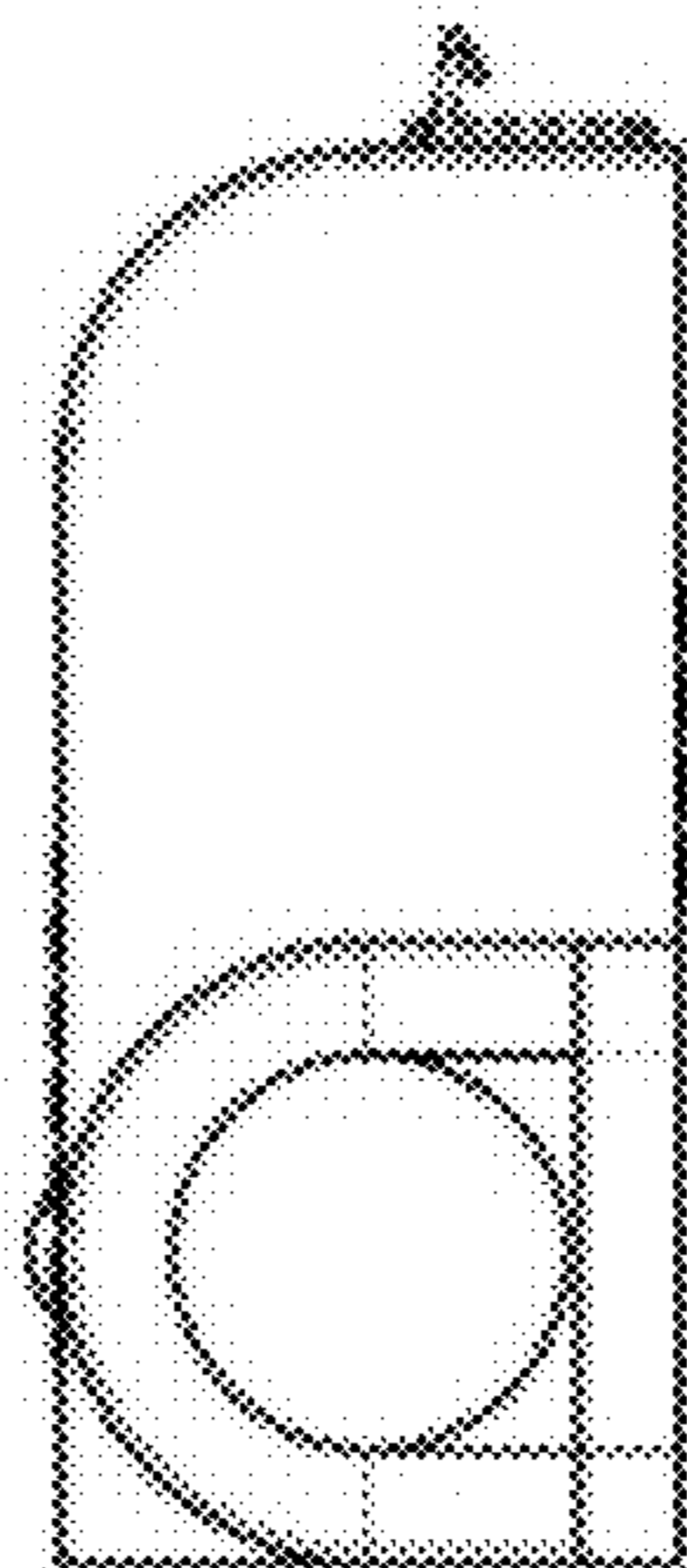
2.1



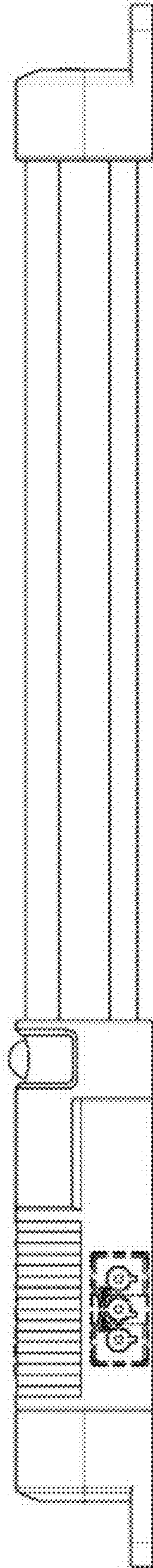
2.2



2.3

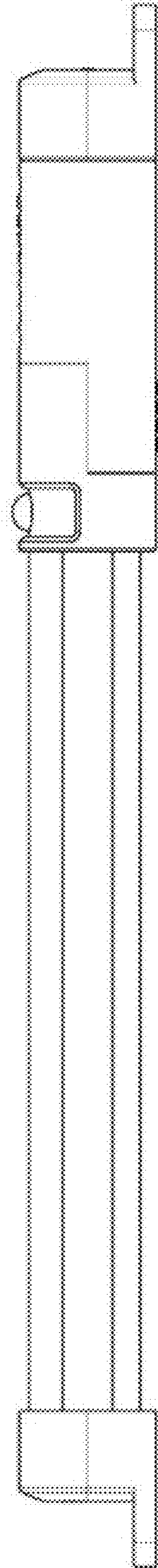


2.4

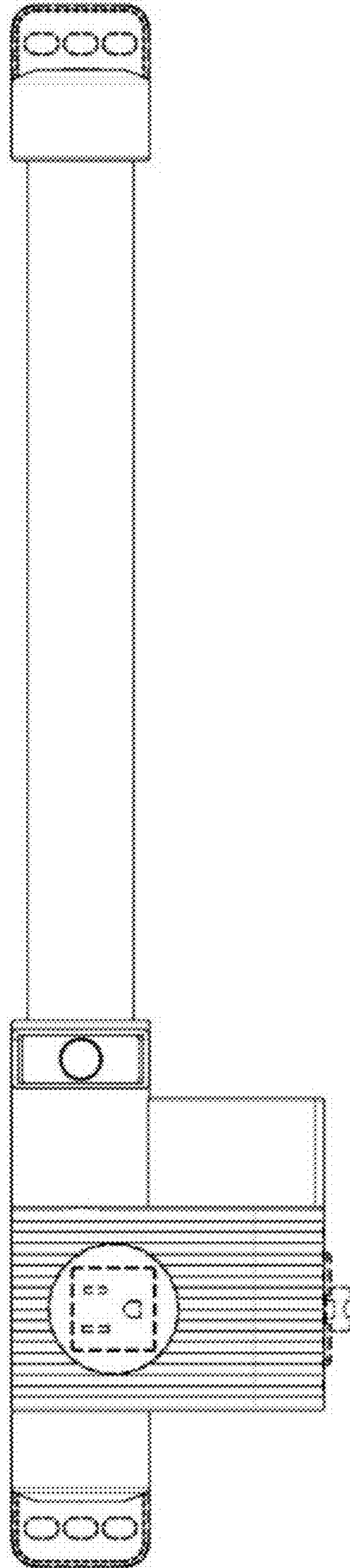




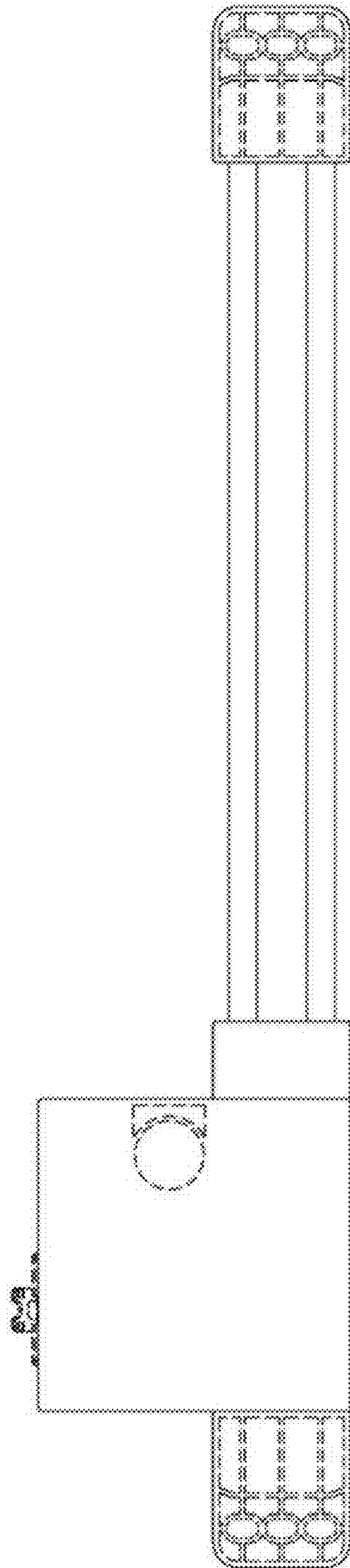
2.5



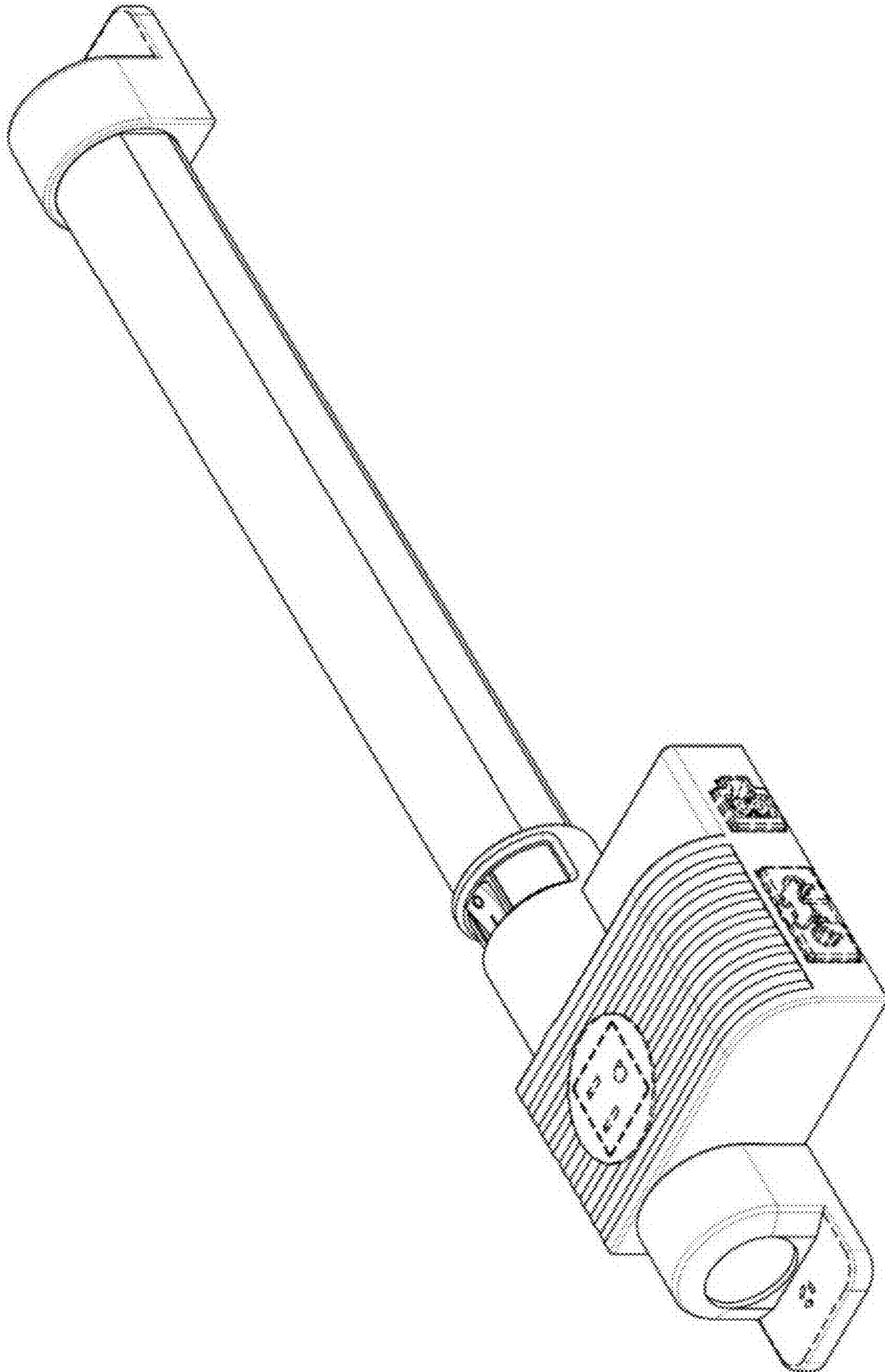
2.6



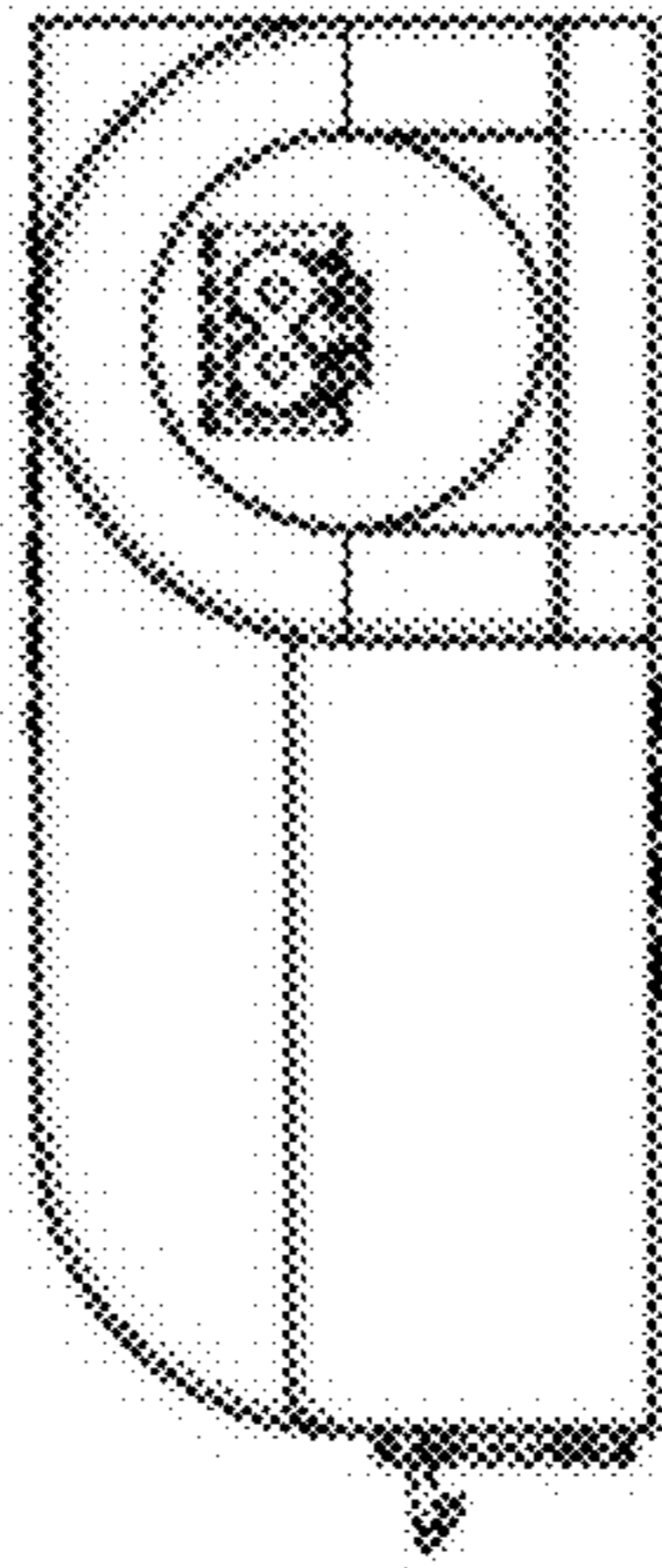
2.7



3.1

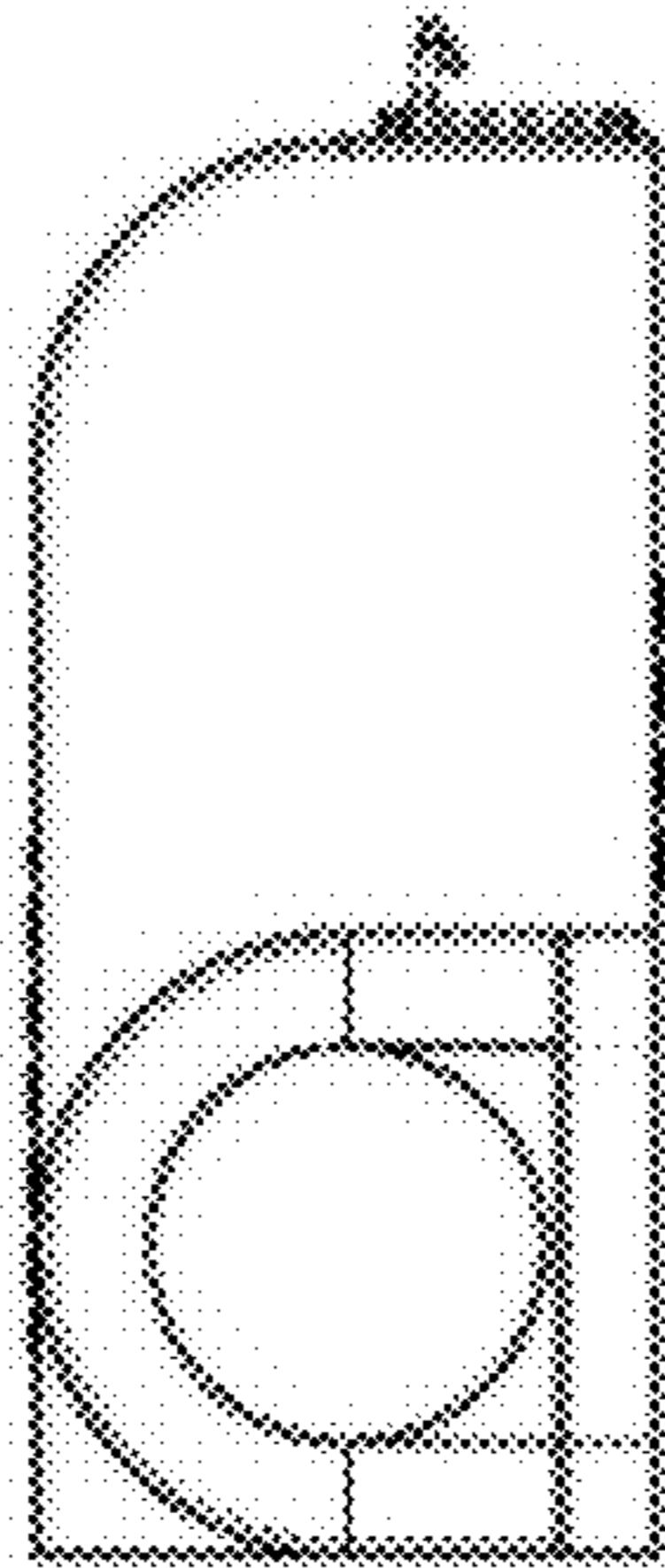


3.2

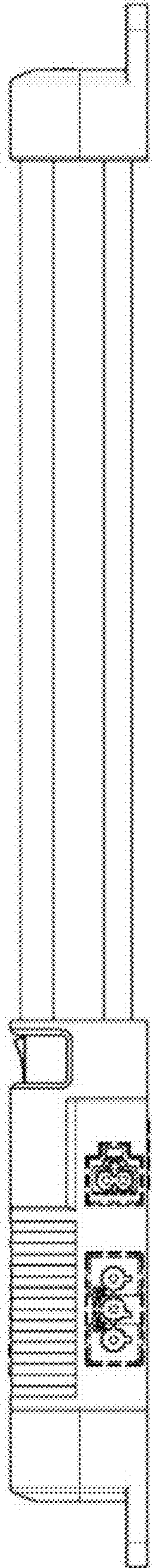




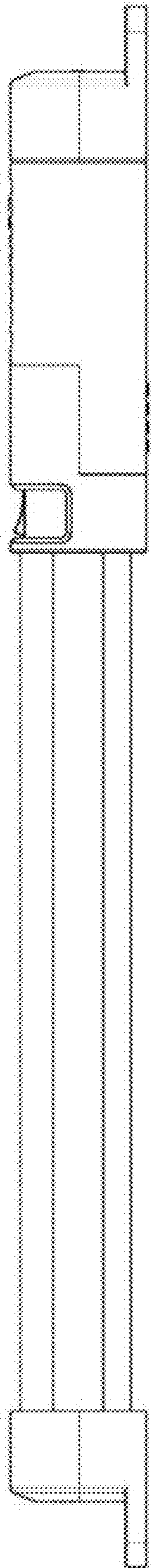
3.3



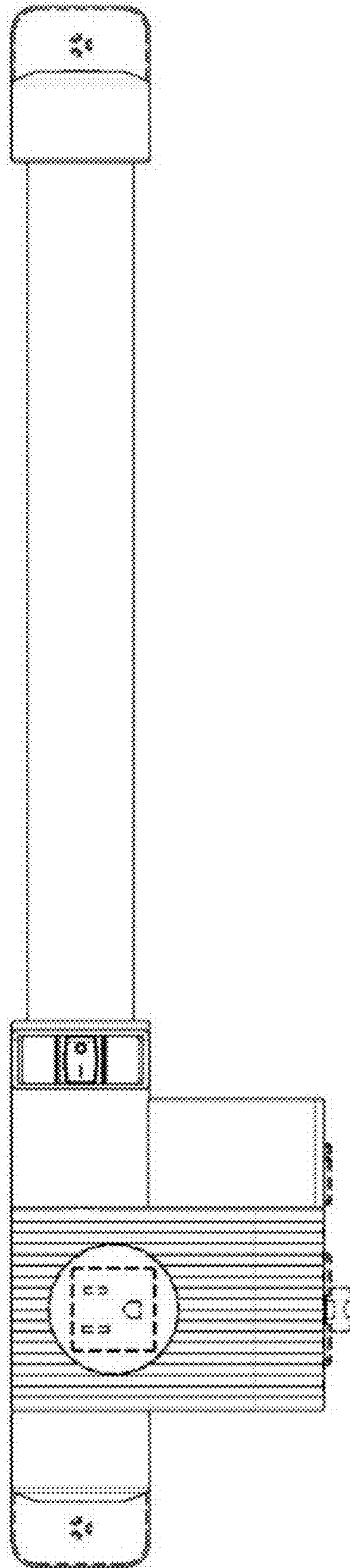
3.4



3.5



3.6



3.7

