



US00D888313S

(12) **United States Design Patent**
Xie et al.

(10) **Patent No.:** **US D888,313 S**

(45) **Date of Patent:** **** Jun. 23, 2020**

(54) **LED PANEL LIGHT**

(71) Applicant: **Shenzhen Homi Lighting Co., Ltd.**,
Guangdong (CN)

(72) Inventors: **Peizhu Xie**, Guangdong (CN); **Hong Li**,
Guangdong (CN)

(**) Term: **15 Years**

(21) Appl. No.: **29/629,348**

(22) Filed: **Dec. 13, 2017**

(30) **Foreign Application Priority Data**

Oct. 31, 2017 (CN) 2017 3 0527576

(51) **LOC (12) Cl.** **26-05**

(52) **U.S. Cl.**
USPC **D26/74**

(58) **Field of Classification Search**
USPC D26/74, 72, 75, 76, 77, 78, 85, 88, 89,
D26/118, 138, 141; 362/364, 365, 373,
362/145, 146, 147, 148, 150, 153, 153.1,
362/294, 296.01, 296, 296.08
CPC F21V 29/2262; F21V 7/06; F21V 21/044;
F21V 21/047; F21V 29/2212; F21V
29/2225; F21V 29/2256; F21V 29/225;
F21V 29/2268; F21Y 2111/002; F21S
8/02; F21S 8/026
See application file for complete search history.

(56) **References Cited**

U.S. PATENT DOCUMENTS

D488,251 S * 4/2004 Benghozi D26/118
D509,016 S * 8/2005 Benghozi D26/74

D509,617 S * 9/2005 Benghozi D26/74
D622,434 S * 8/2010 Ward F21S 8/026
D26/74
D633,644 S * 3/2011 Sprengers D26/89
D655,850 S * 3/2012 Sabernig D26/85
D671,668 S * 11/2012 Rowlette, Jr. D26/74
D723,153 S * 2/2015 Borkholder D23/411
D770,076 S * 10/2016 Li D26/89
D785,848 S * 5/2017 Couture D26/89
D808,565 S * 1/2018 Ambrozus D26/74
D824,575 S * 7/2018 Boulanger D26/89
D828,944 S * 9/2018 Xie D26/74

* cited by examiner

Primary Examiner — Angela J Lee

(74) *Attorney, Agent, or Firm* — Prakash Nama; Global
IP Services, PLLC

(57) **CLAIM**

The ornamental design for a LED panel light, as shown.

DESCRIPTION

FIG. 1 is a front elevational view of a LED panel light
showing our new design;

FIG. 2 is a rear elevational view thereof;

FIG. 3 is a left side view thereof;

FIG. 4 is a right side view thereof;

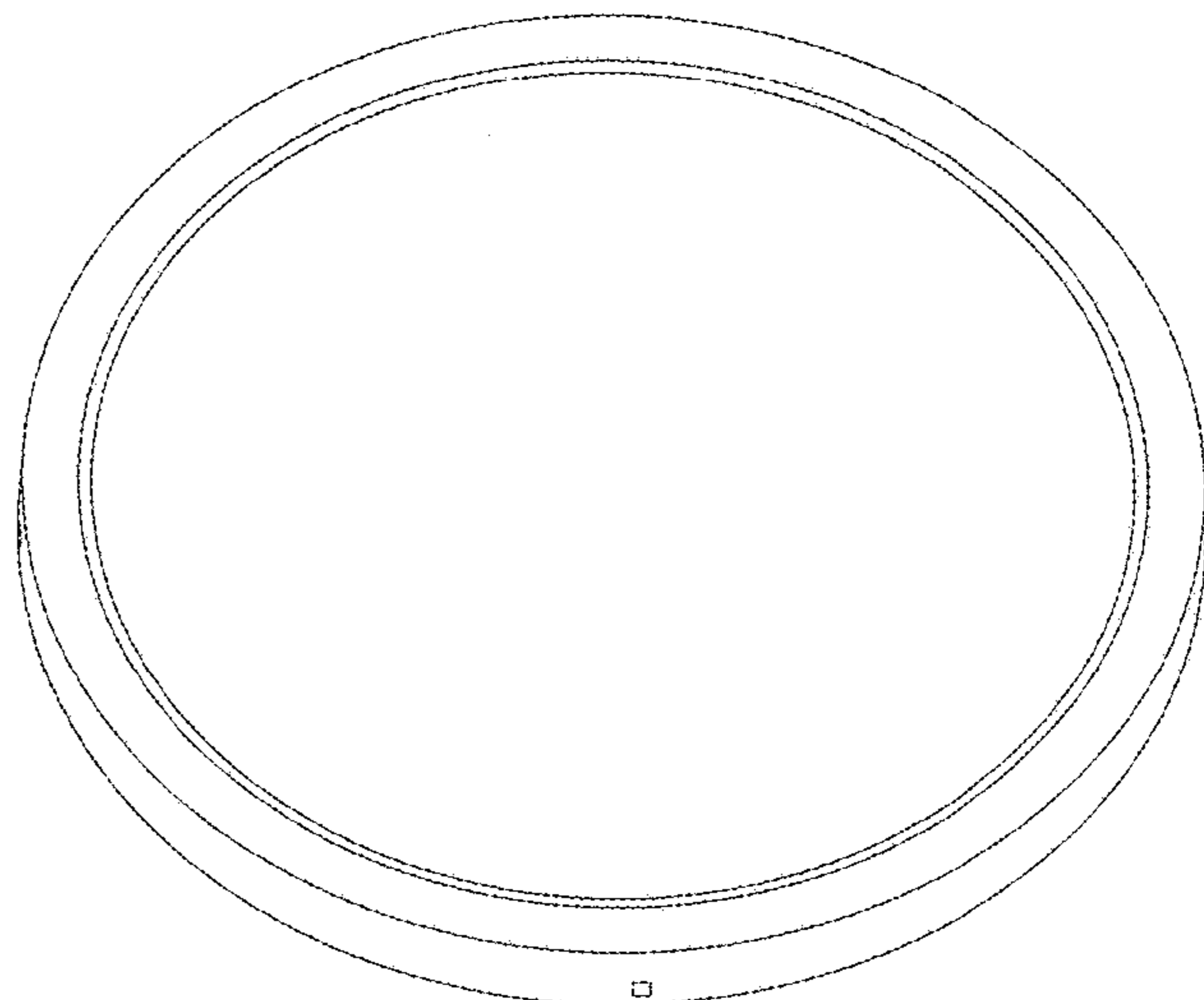
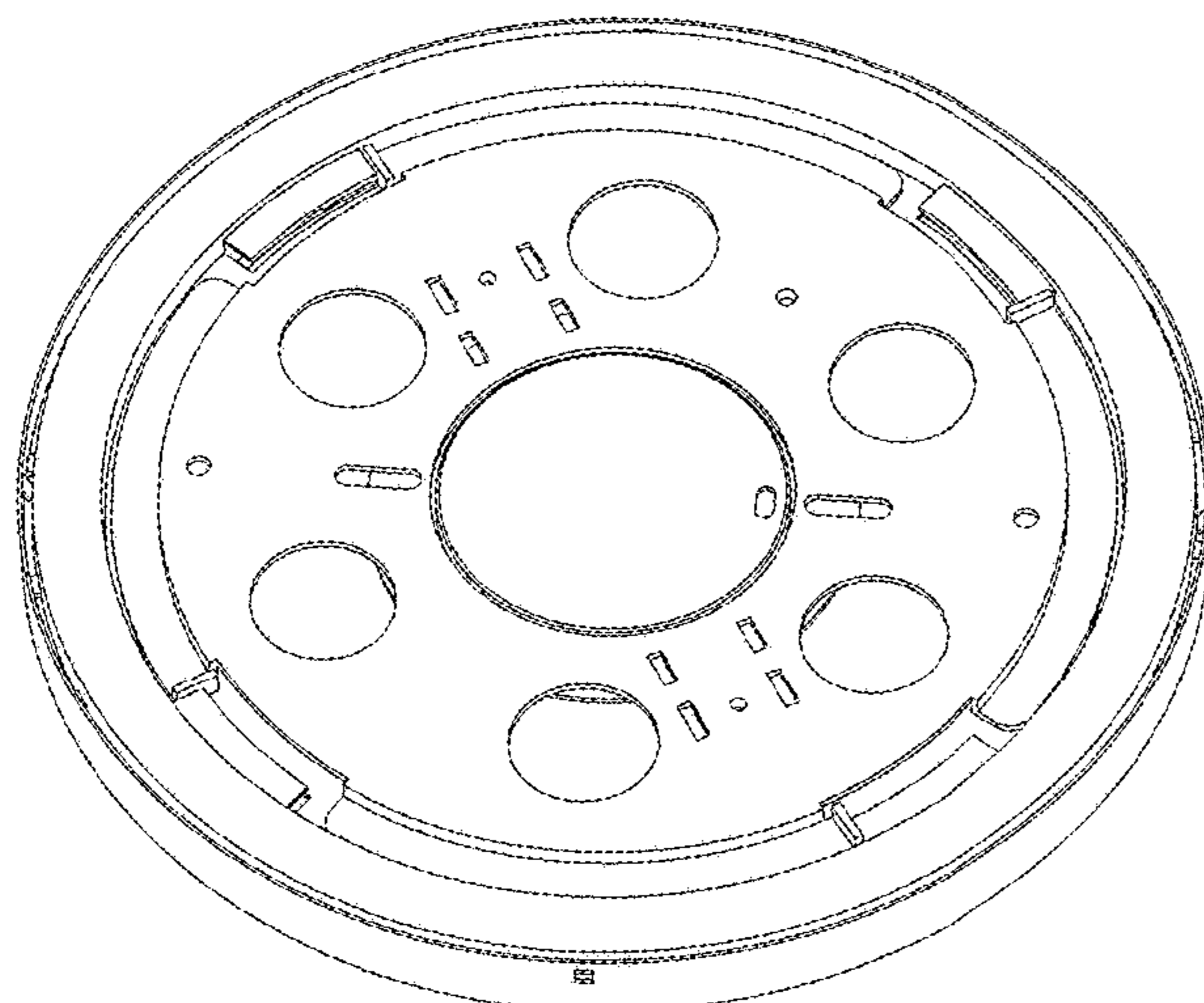
FIG. 5 is a top plan view thereof;

FIG. 6 is a bottom plan view thereof;

FIG. 7 is a perspective view thereof; and,

FIG. 8 is another perspective view thereof.

1 Claim, 6 Drawing Sheets



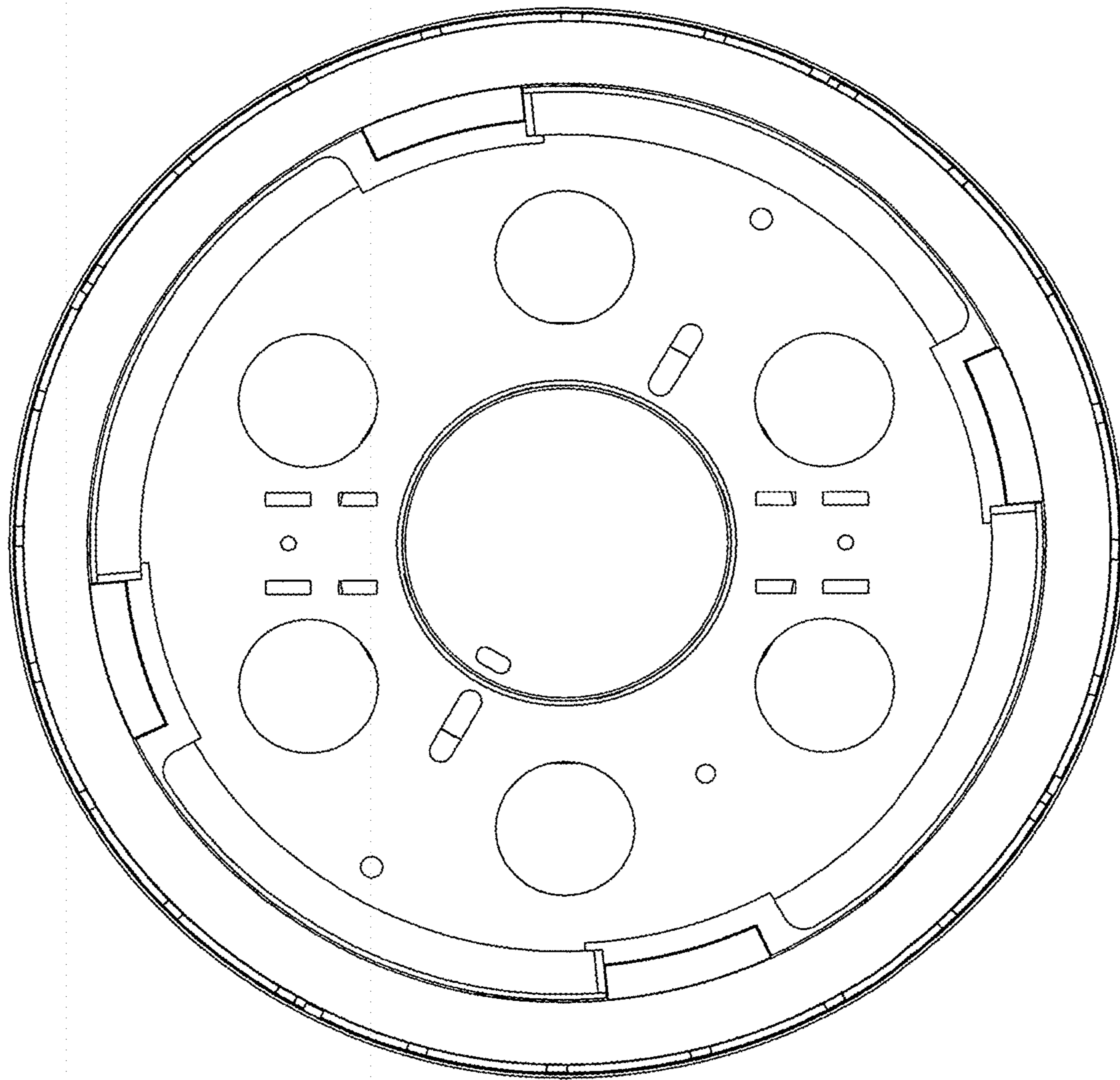


Fig. 1

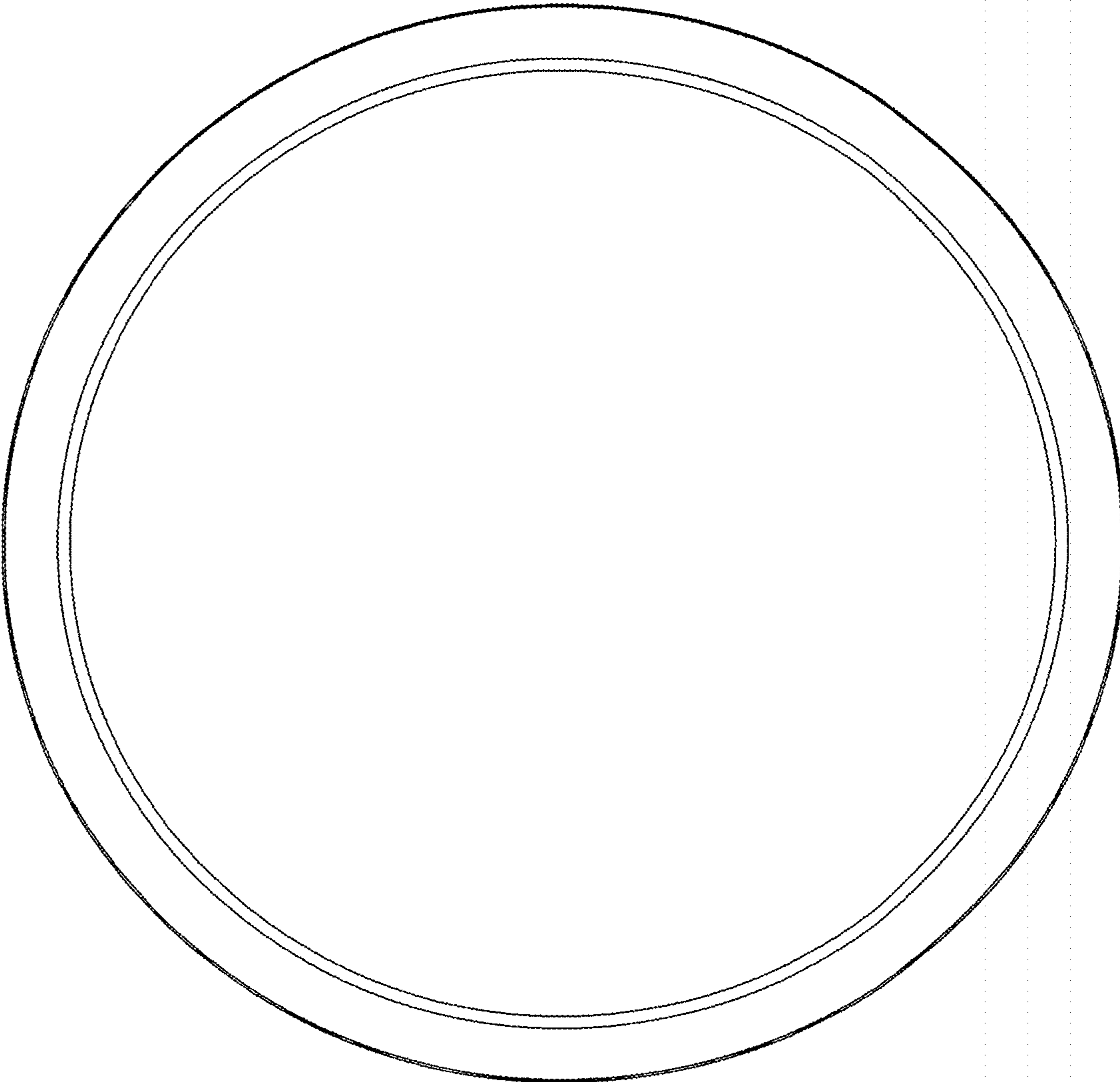


Fig. 2



Fig. 3

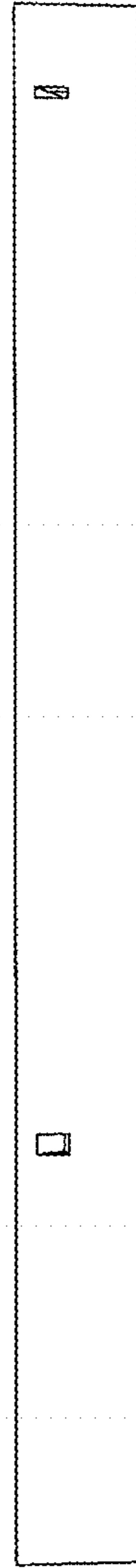


Fig. 4



Fig. 5

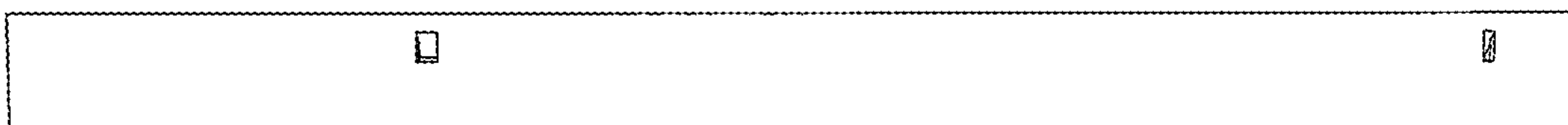


Fig. 6

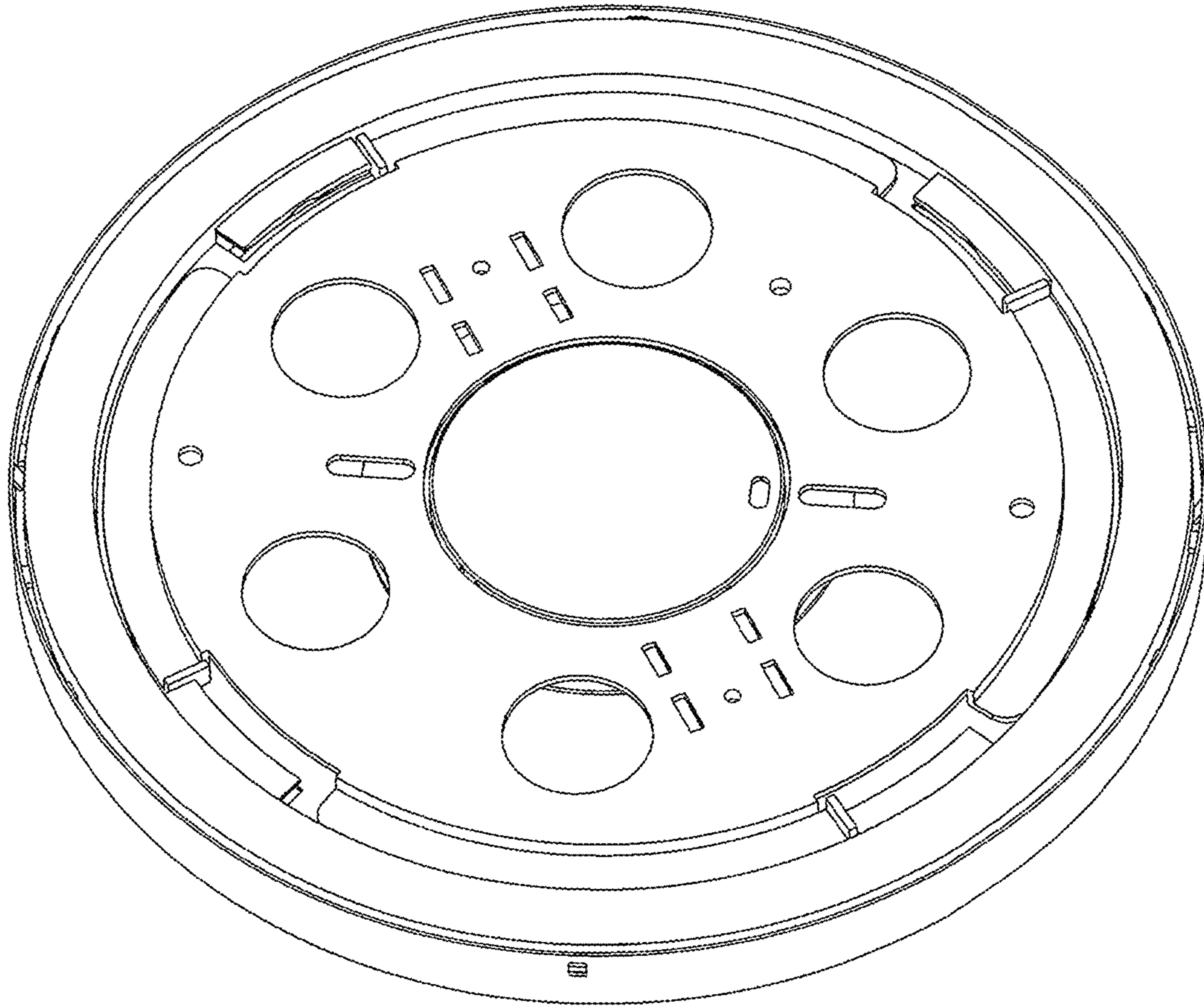


Fig. 7

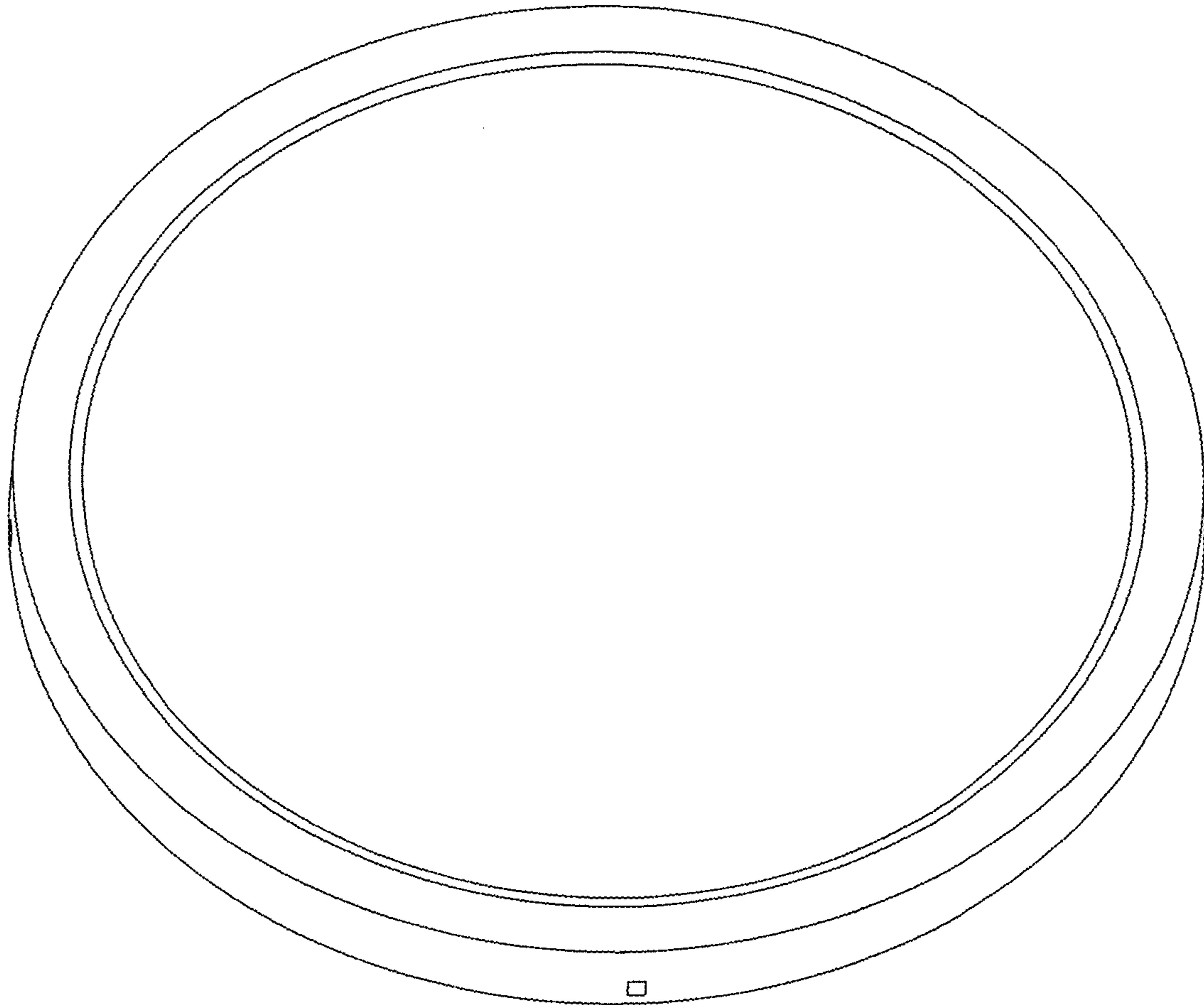


Fig. 8