



US00D888311S

(12) **United States Design Patent**
Sooferian

(10) **Patent No.:** **US D888,311 S**

(45) **Date of Patent:** **** Jun. 23, 2020**

(54) **LAMP FIXTURE**

(71) Applicant: **Danny H Sooferian**, Camarillo, CA
(US)

(72) Inventor: **Danny H Sooferian**, Camarillo, CA
(US)

(**) Term: **15 Years**

(21) Appl. No.: **29/661,016**

(22) Filed: **Aug. 23, 2018**

(51) **LOC (12) Cl.** **26-05**

(52) **U.S. Cl.**
USPC **D26/67**

(58) **Field of Classification Search**
USPC D26/63, 67-70, 85, 130-136
CPC .. F21S 8/081; F21S 8/083; F21S 8/088; F21S
9/03; F21S 9/032; F21S 9/035; F21V
21/0824; F21W 2111/02; F21W 2111/023;
F21W 2131/109
See application file for complete search history.

(56) **References Cited**

U.S. PATENT DOCUMENTS

D44,731 S * 10/1913 Nash D26/134
D369,432 S * 4/1996 Jen D26/134

D371,627 S * 7/1996 Jaspers-Fayer D26/133
D376,223 S * 12/1996 Sung D26/135
D435,313 S * 12/2000 Dolan D26/134
D467,031 S * 12/2002 Hsu D26/134
D594,586 S * 6/2009 Chen D26/135
D639,481 S * 6/2011 Chen D26/68
D639,989 S * 6/2011 Chen D26/130
D639,992 S * 6/2011 Chen D26/68
D707,380 S * 6/2014 Sooferian D26/68

* cited by examiner

Primary Examiner — Clare E Heflin

(74) *Attorney, Agent, or Firm* — Colin P. Abrahams

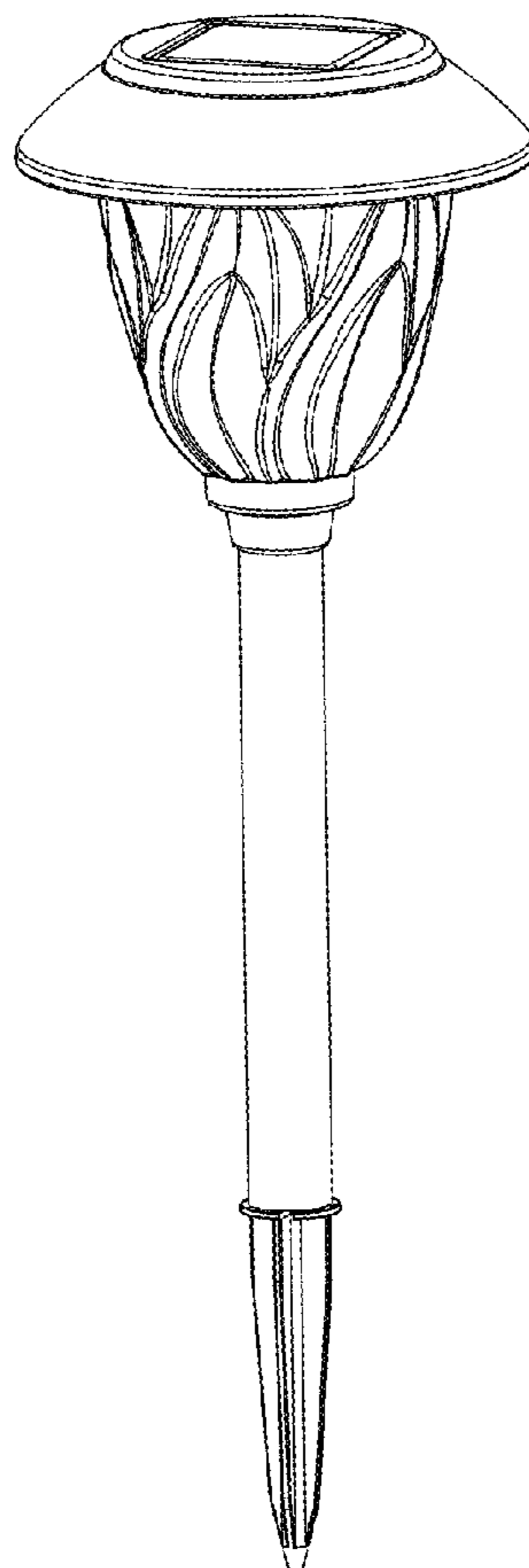
(57) **CLAIM**

The ornamental design for a lamp fixture, as shown and described.

DESCRIPTION

FIG. 1 is a front or rear view of a lamp fixture of my new design;
FIG. 2 is a top view of the lamp fixture shown in FIG. 1 of the drawings;
FIG. 3 is a front or rear perspective view of the lamp fixture shown in FIG. 1 of the drawings;
FIG. 4 is a bottom view of the lamp fixture shown in FIG. 1 of the drawings; and,
FIG. 5 is a left or right side perspective view of the lamp fixture shown in FIG. 1 of the drawings.

1 Claim, 2 Drawing Sheets



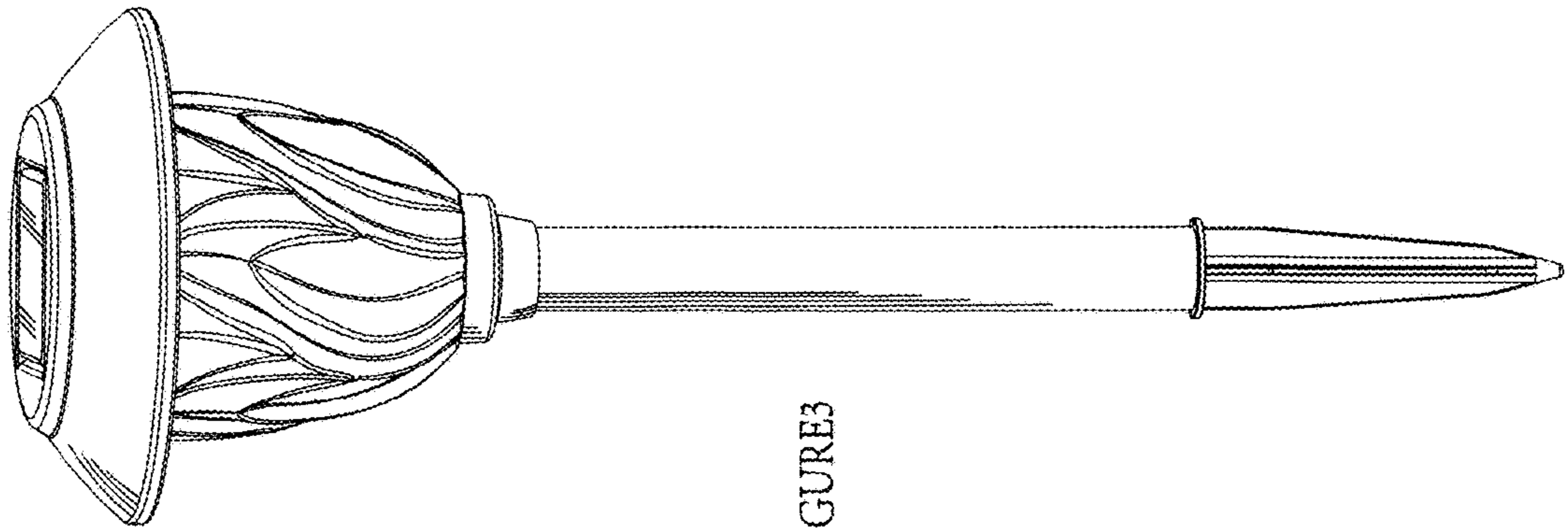


FIGURE 3

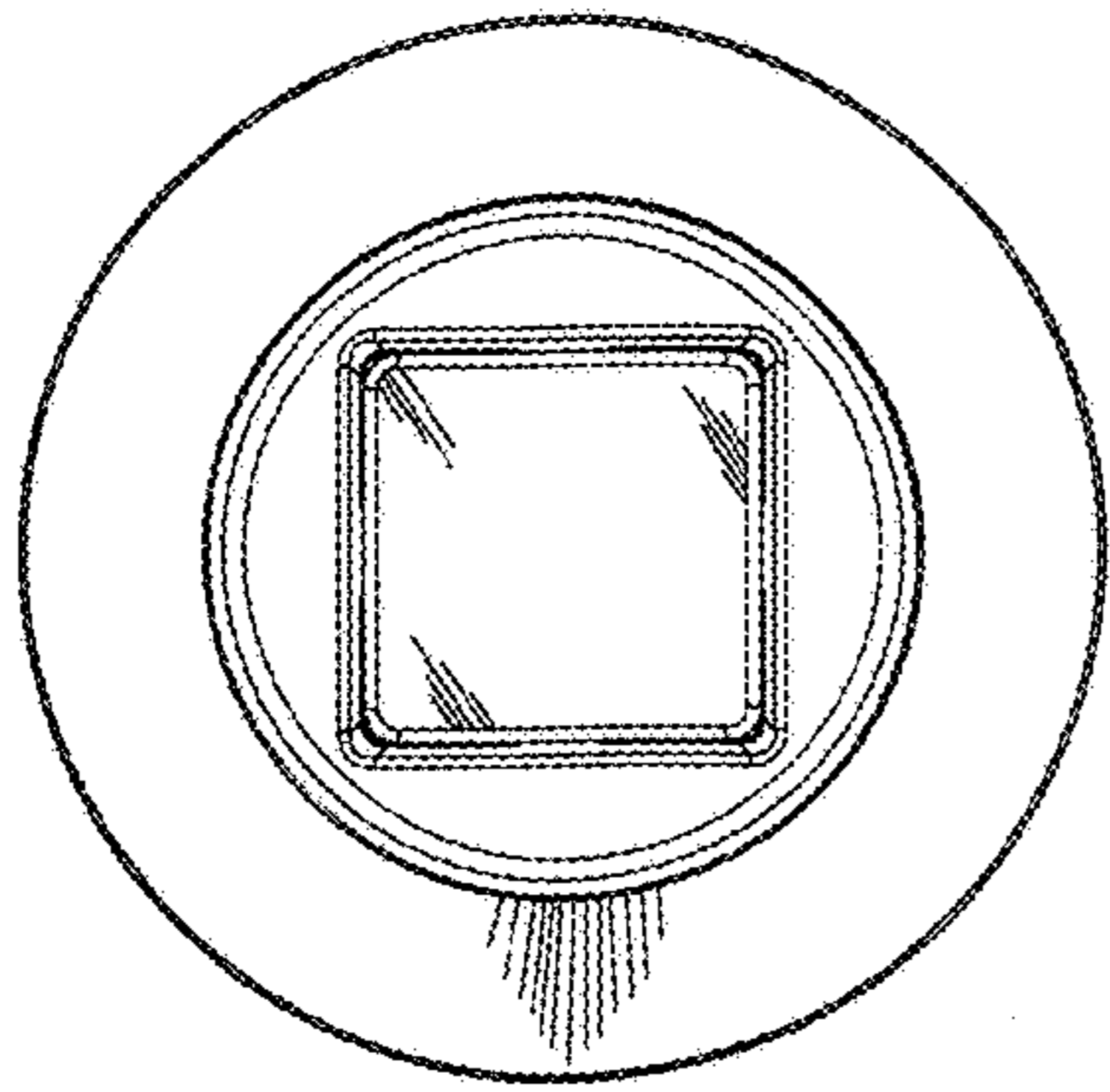


FIGURE 2

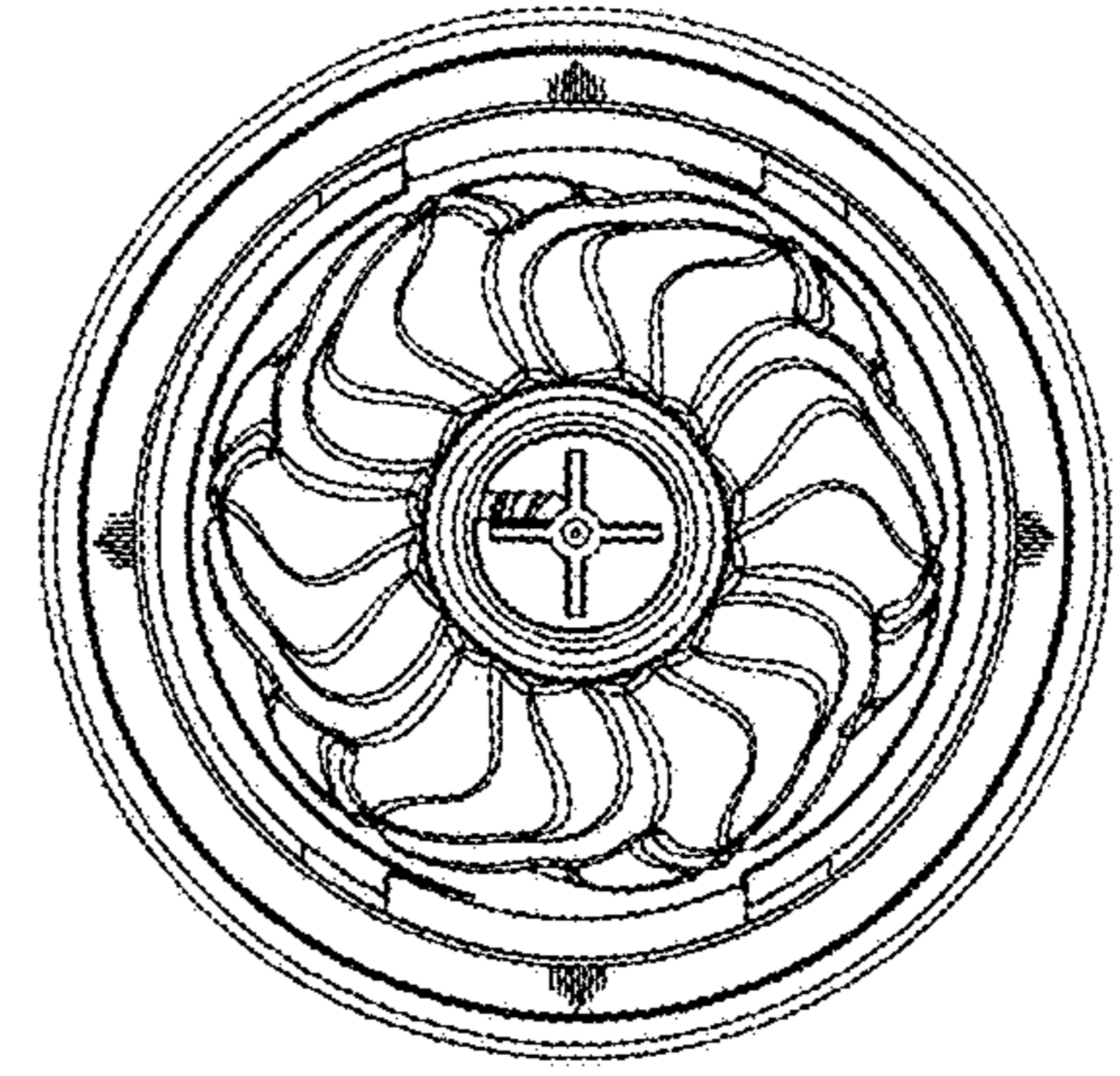


FIGURE 4

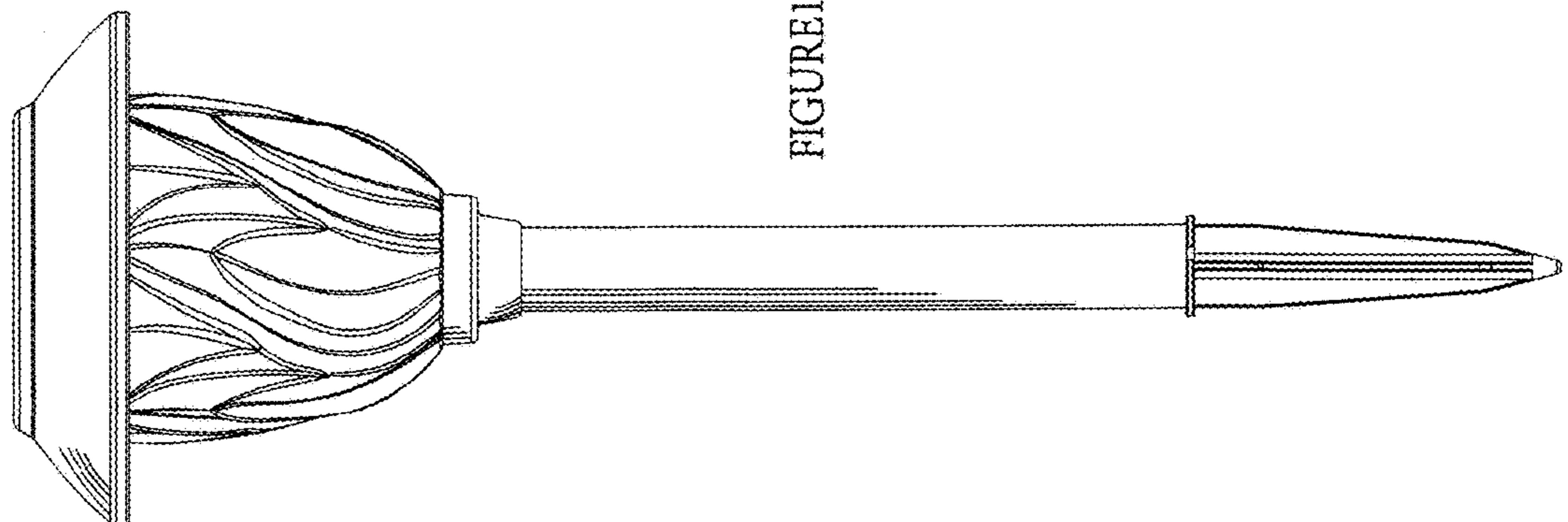


FIGURE 1

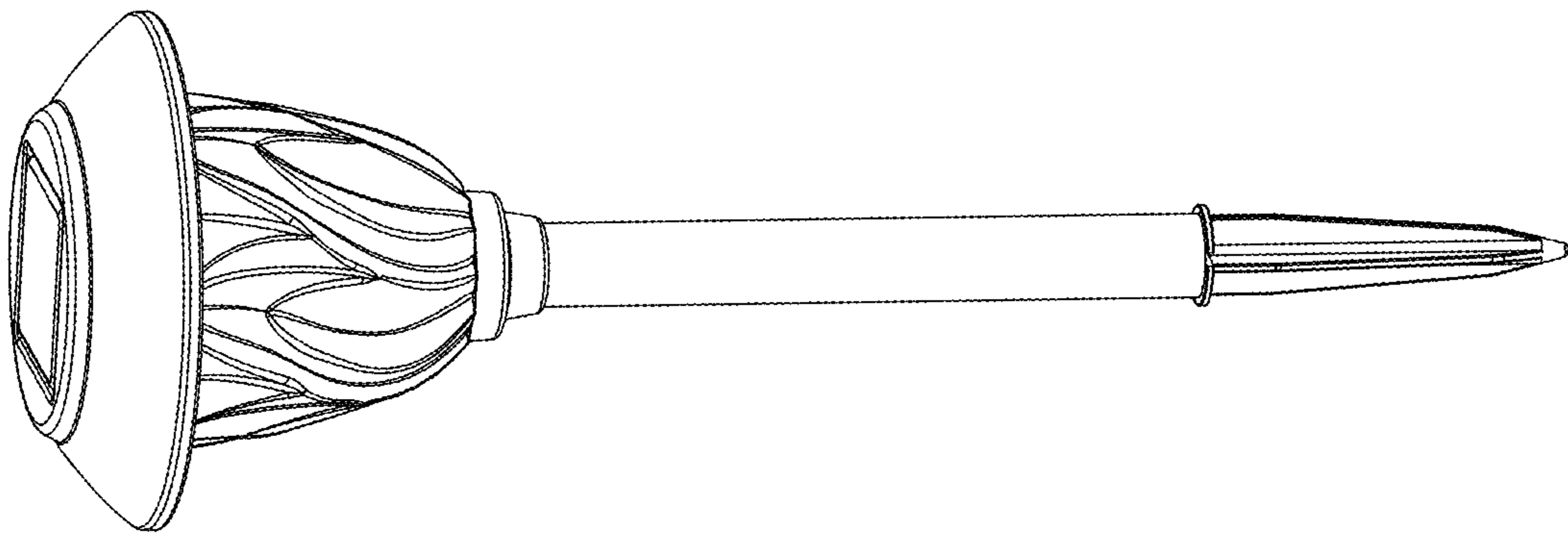


FIGURE 5