



US00D888309S

(12) **United States Design Patent**
Siminoff et al.

(10) **Patent No.:** **US D888,309 S**
(45) **Date of Patent:** **** Jun. 23, 2020**

(54) **FLOOD LIGHT**

(71) Applicant: **Amazon Technologies, Inc.**, Seattle, WA (US)

(72) Inventors: **Mark Siminoff**, Mountain View, CA (US); **Alexsandra M. Bowers**, Mayfield, OH (US); **Ryan D. Hruska**, North Royalton, OH (US); **Christopher Loew**, Palo Alto, CA (US); **James Siminoff**, Pacific Palisades, CA (US)

(73) Assignee: **Amazon Technologies, Inc.**, Seattle, WA (US)

(**) Term: **15 Years**

(21) Appl. No.: **29/684,393**

(22) Filed: **Mar. 20, 2019**

(51) **LOC (12) Cl.** **26-03**

(52) **U.S. Cl.**
USPC **D26/63**

(58) **Field of Classification Search**
USPC D26/24, 51, 61, 63, 65, 72, 80
CPC F21S 8/04; F21S 8/00; F21V 21/00; F21V 17/02; F21V 14/02; F21V 21/30; F21V 21/14; F21V 21/26; F21W 2131/10
See application file for complete search history.

(56) **References Cited**

U.S. PATENT DOCUMENTS

5,258,899	A *	11/1993	Chen	F21V 17/02
					362/394
5,649,761	A *	7/1997	Sandell	F21V 17/02
					362/276
D392,406	S *	3/1998	Morrow	D26/65
D713,578	S *	9/2014	Chen	D26/63
D713,581	S *	9/2014	Chen	D26/63
D742,053	S *	10/2015	Sussman	D26/63

D745,201	S *	12/2015	Lee	D26/63
D769,499	S	10/2016	Gough		
D782,094	S	3/2017	Fletcher et al.		
D810,982	S *	2/2018	Liang	D26/63
D869,038	S *	12/2019	Recker	D26/63

FOREIGN PATENT DOCUMENTS

JP	D1385931	4/2010
TW	098792	4/1988

(Continued)

OTHER PUBLICATIONS

The Taiwanese Office Action dated Apr. 24, 2020 for Taiwanese Patent Application No. 108305724, a counterpart of U.S. Appl. No. 29/684,393, 3 pages.

(Continued)

Primary Examiner — Brian N. Vinson

(74) *Attorney, Agent, or Firm* — Lee & Hayes, P.C.

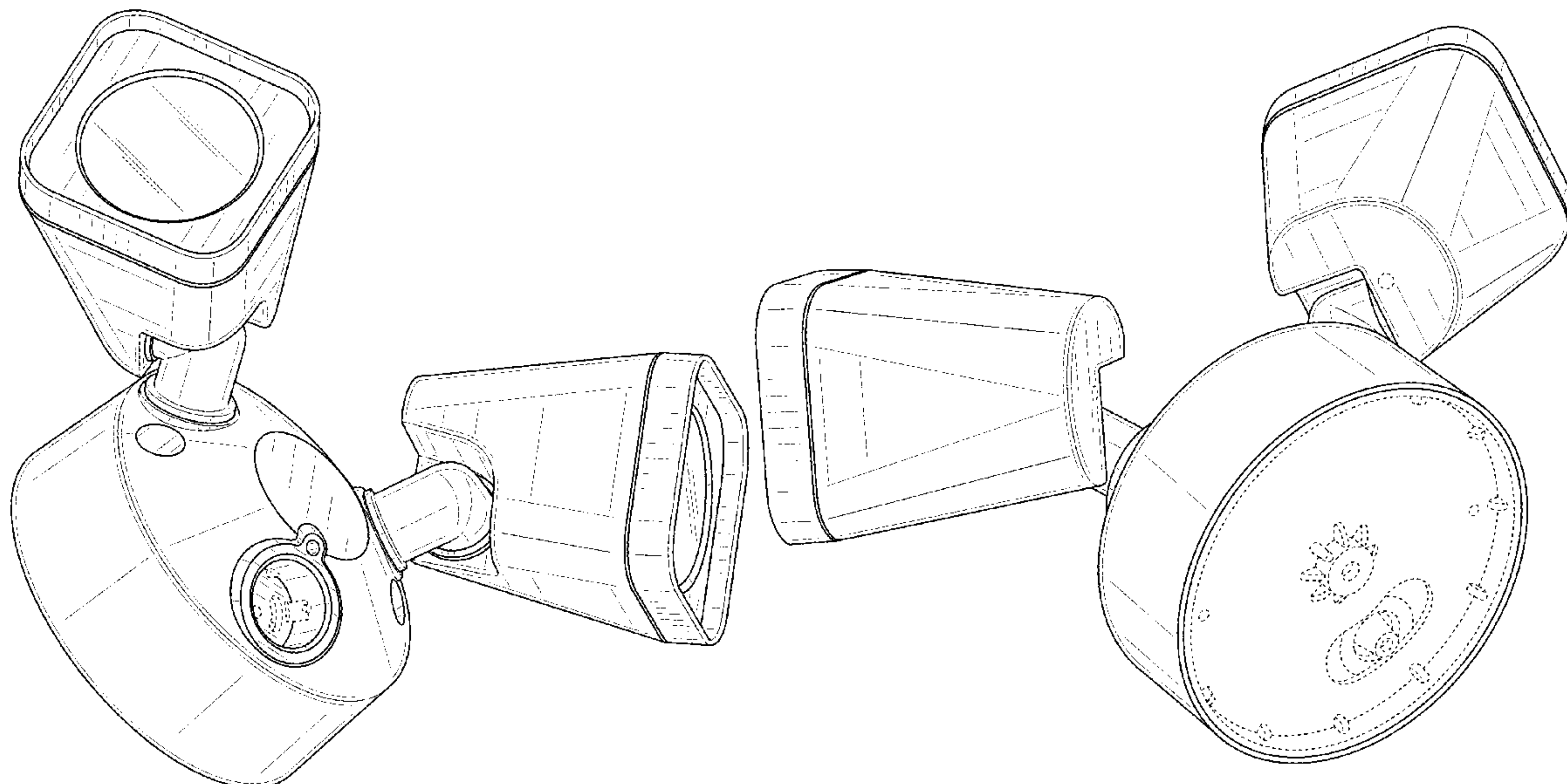
(57) **CLAIM**

The ornamental design for a flood light, as shown and described.

DESCRIPTION

FIG. 1 is a front, left, bottom perspective view of a flood light according to the present design;
FIG. 2 is a back, right, top perspective view thereof;
FIG. 3 is a front, right, top perspective view thereof;
FIG. 4 is a back, left, bottom perspective view thereof;
FIG. 5 is a front elevation view thereof;
FIG. 6 is a back elevation view thereof;
FIG. 7 is a left-side elevation view thereof;
FIG. 8 is a right-side elevation view thereof;
FIG. 9 is a top plan view thereof; and,
FIG. 10 is a bottom plan view thereof.
The dashed lines depict portions of the flood light that form no part of the claimed design.

1 Claim, 10 Drawing Sheets



(56)

References Cited

FOREIGN PATENT DOCUMENTS

TW	D188095	1/2018
TW	D198513	7/2019

OTHER PUBLICATIONS

The Taiwanese Office Action dated Apr. 24, 2020 for Taiwanese Patent Application No. 108305722, a counterpart of U.S. Appl. No. 29/684,393, 3 pages.

The Taiwanese Office Action dated Apr. 24, 2020 for Taiwanese Patent Application No. 108305725, a counterpart of U.S. Appl. No. 29/684,393, 3 pages.

The Taiwanese Office Action dated Apr. 24, 2020 for Taiwanese Patent Application No. 108305723, a counterpart of U.S. Appl. No. 29/684,393, 3 pages.

* cited by examiner

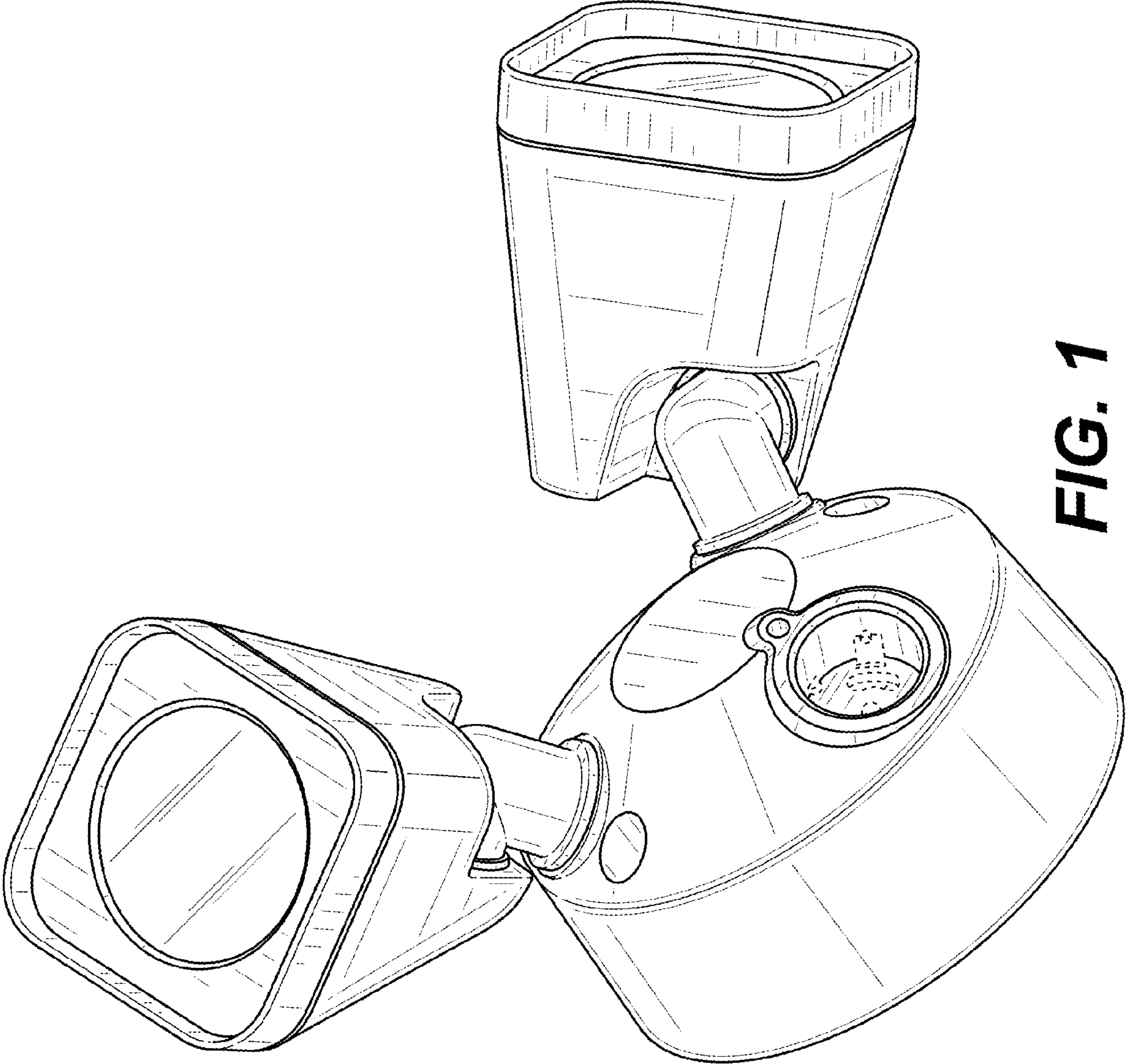


FIG. 1

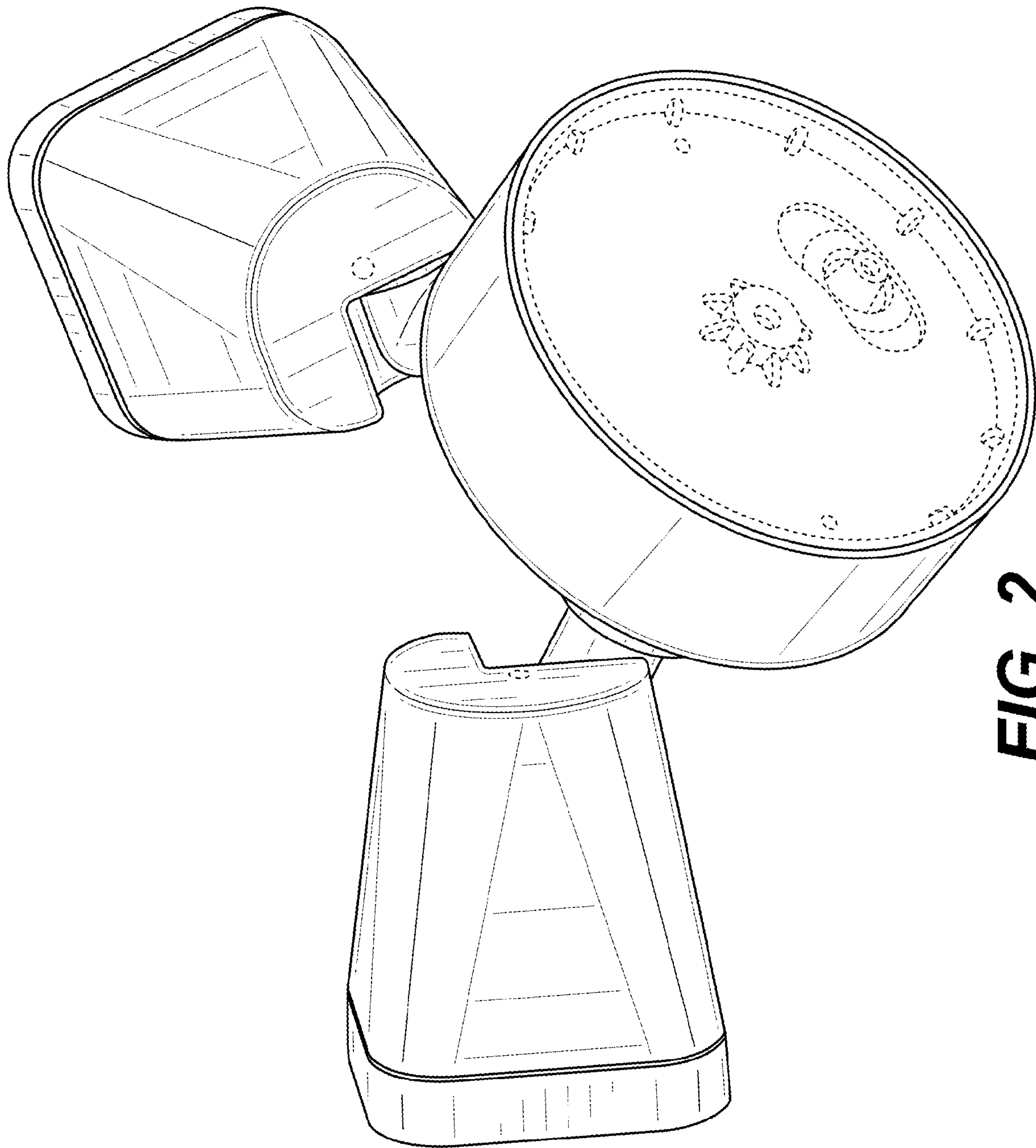


FIG. 2

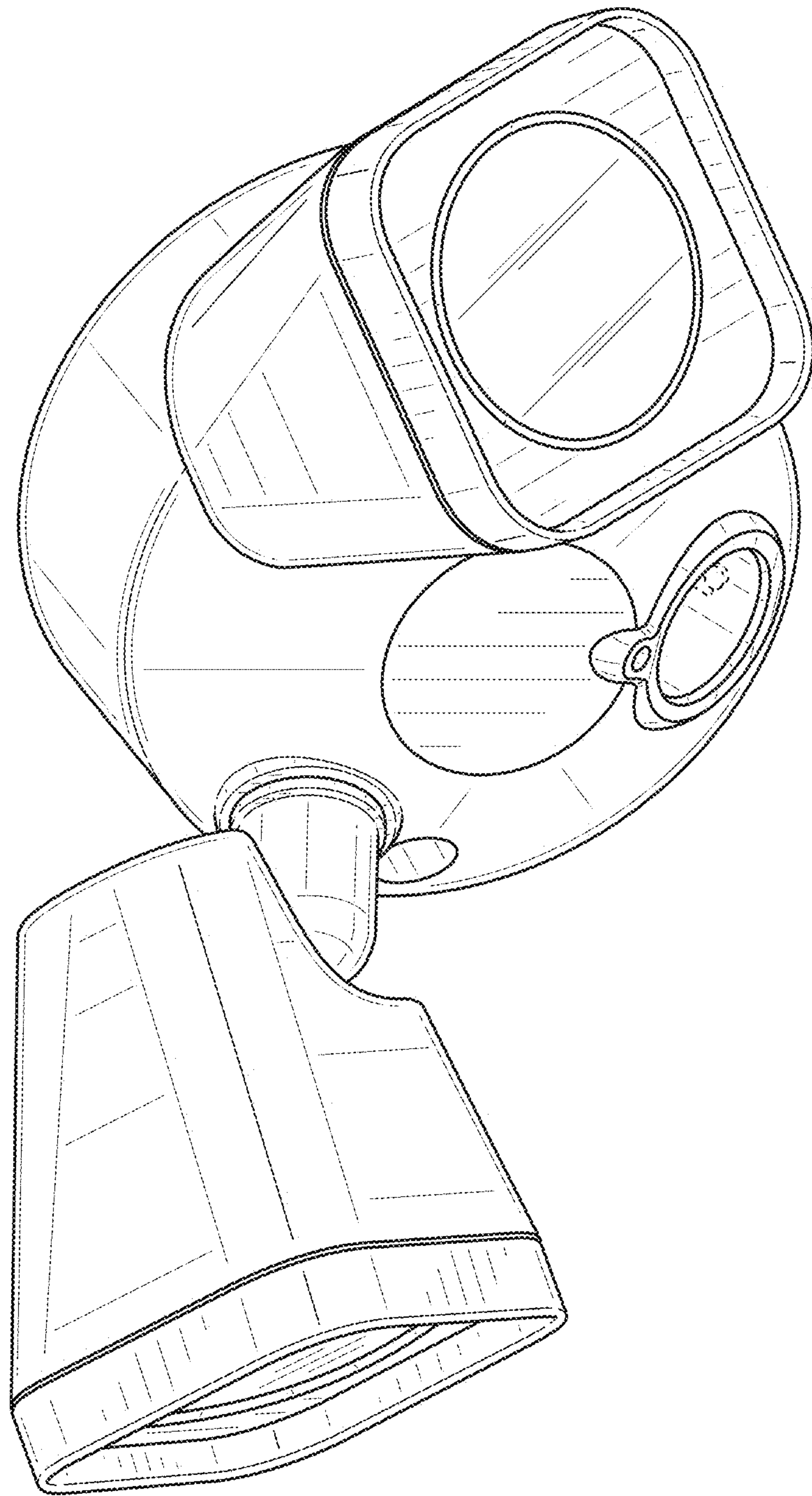


FIG. 3

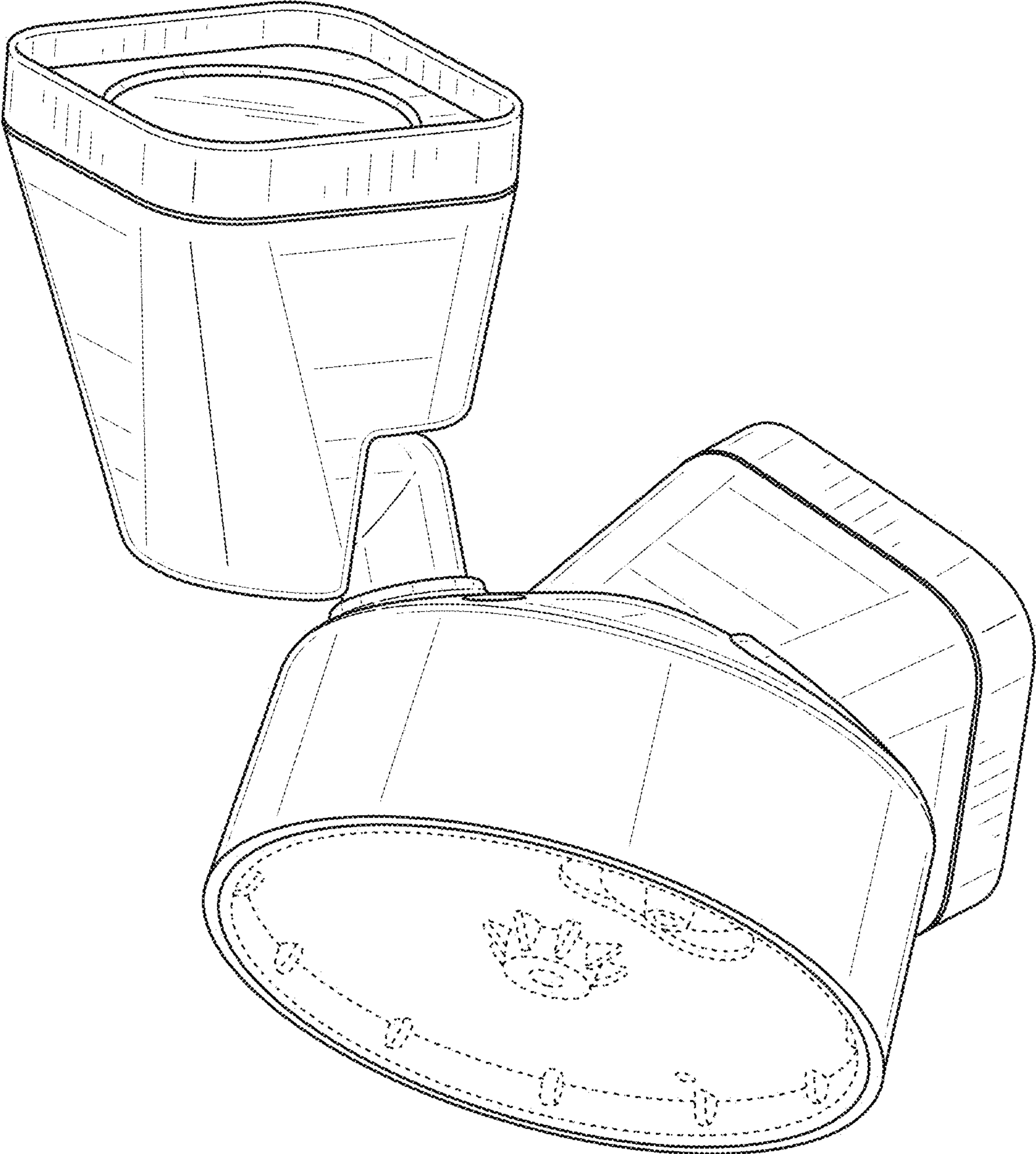


FIG. 4

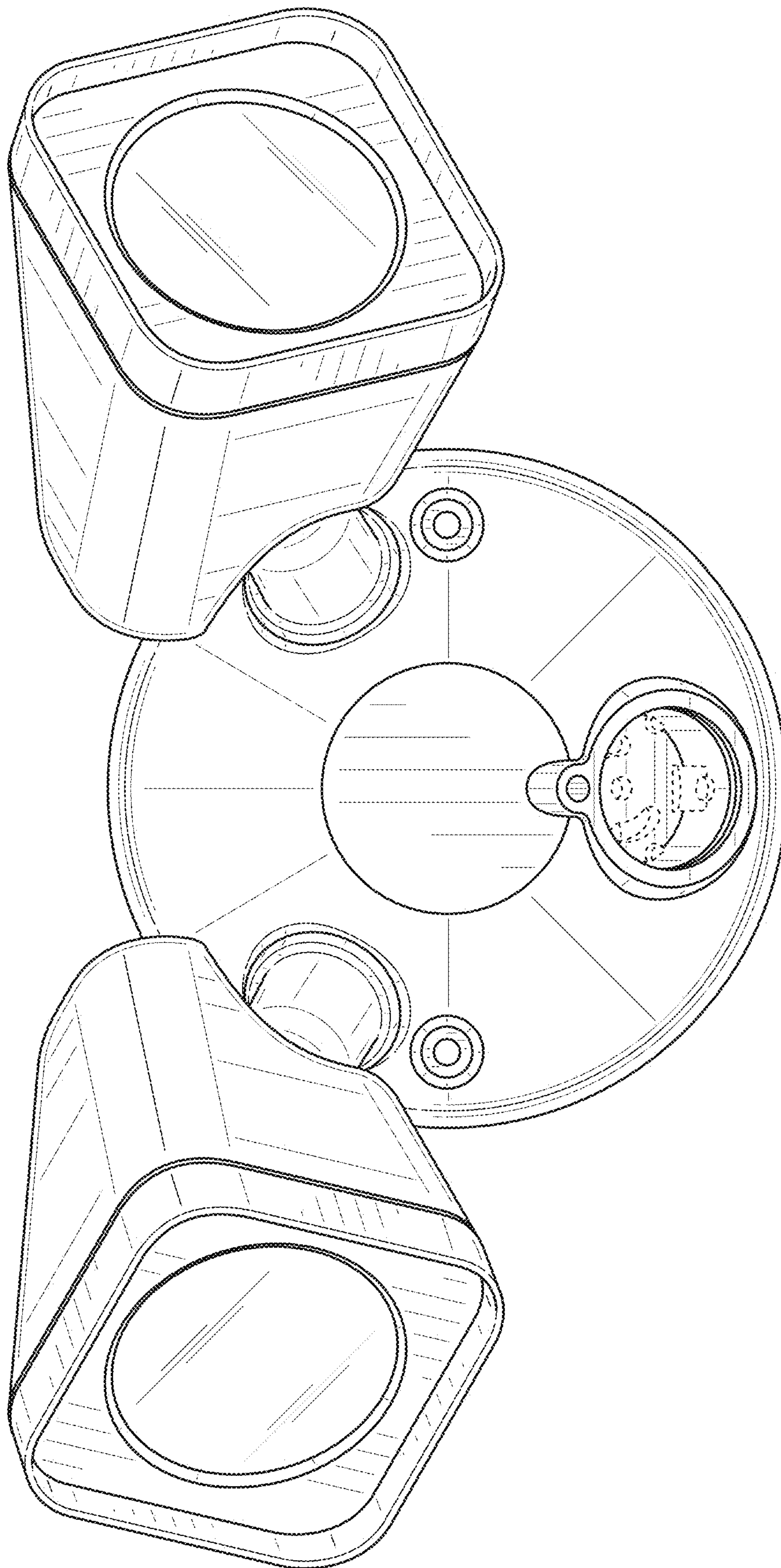


FIG. 5

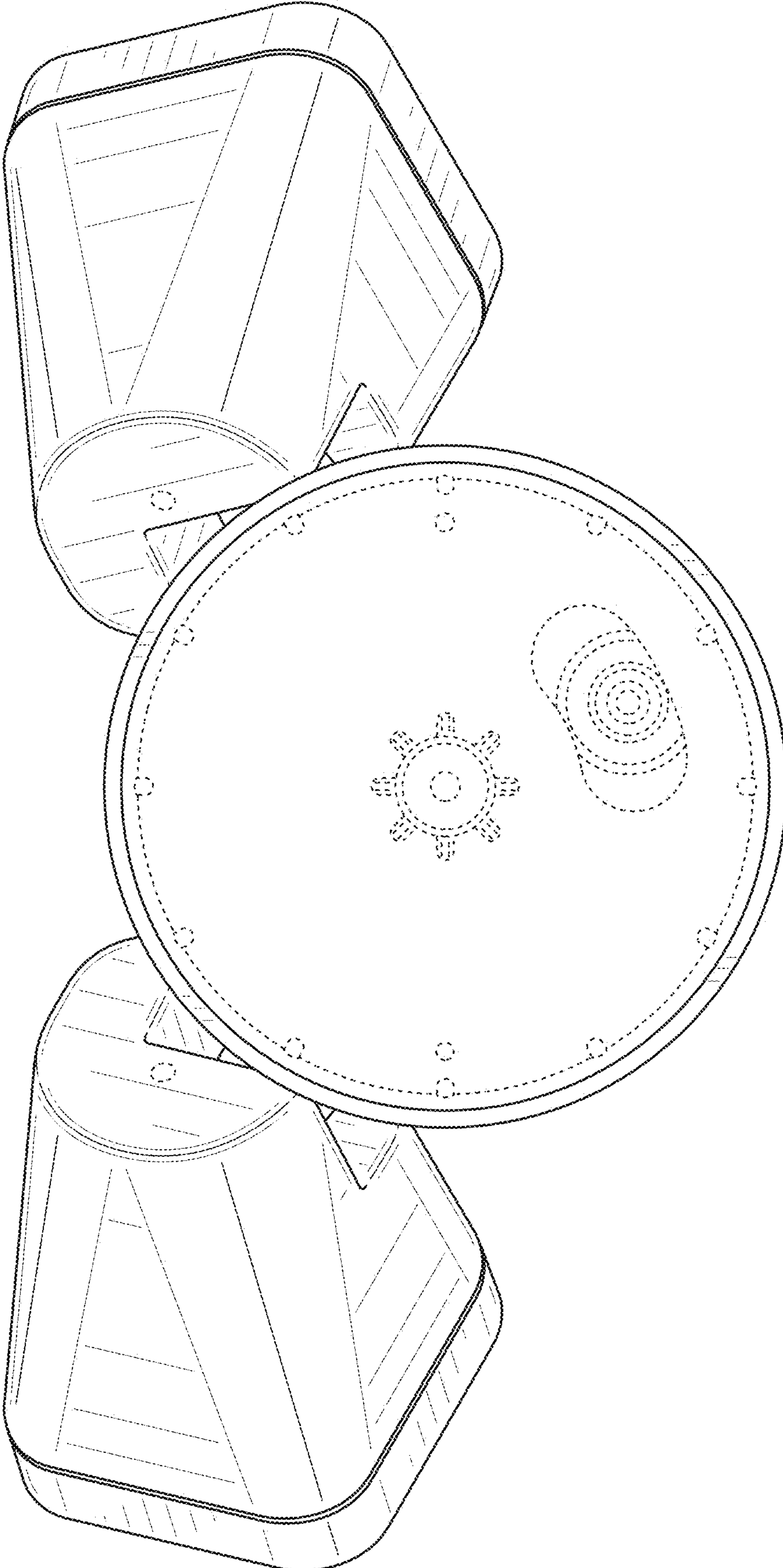


FIG. 6

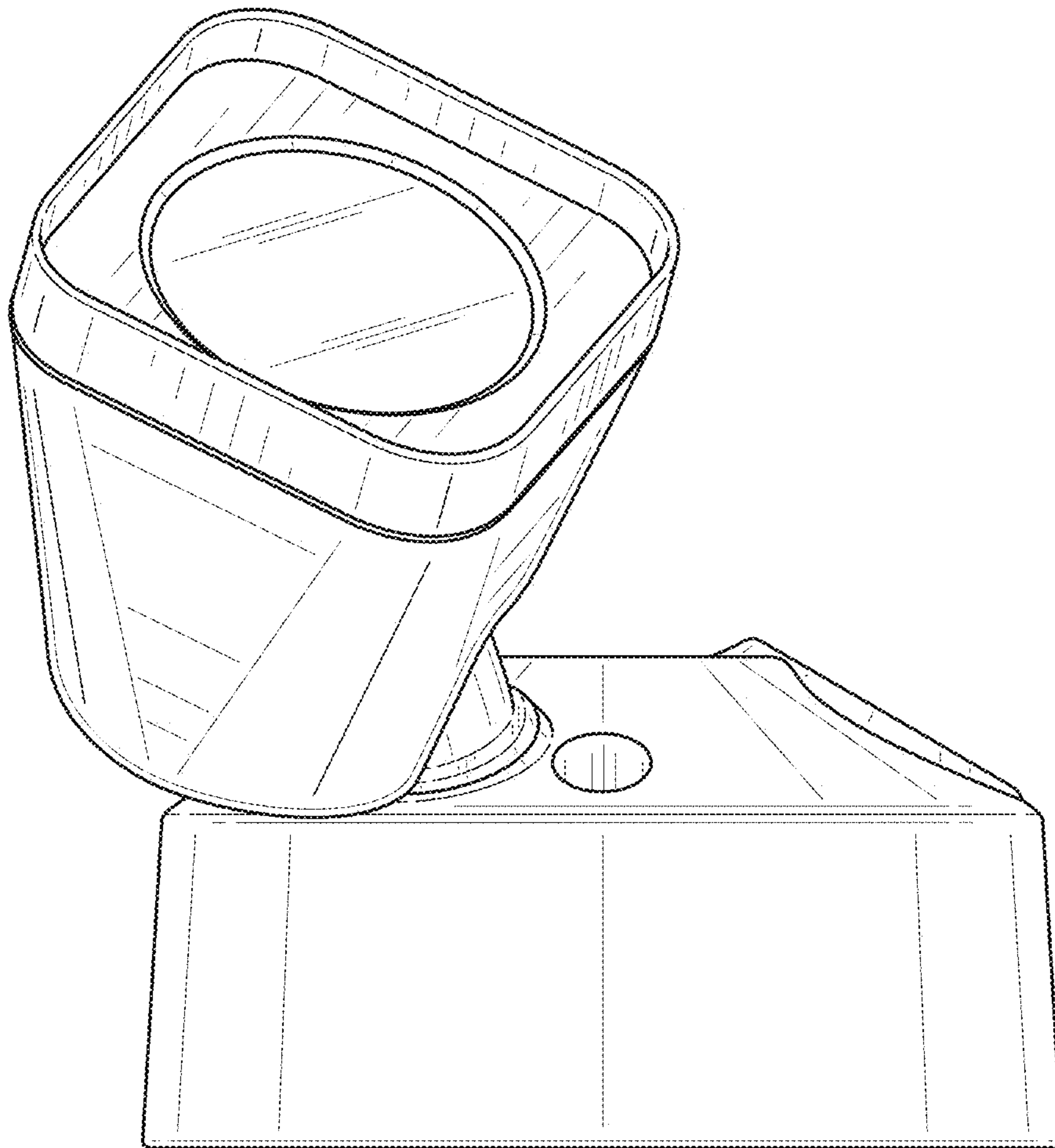


FIG. 7

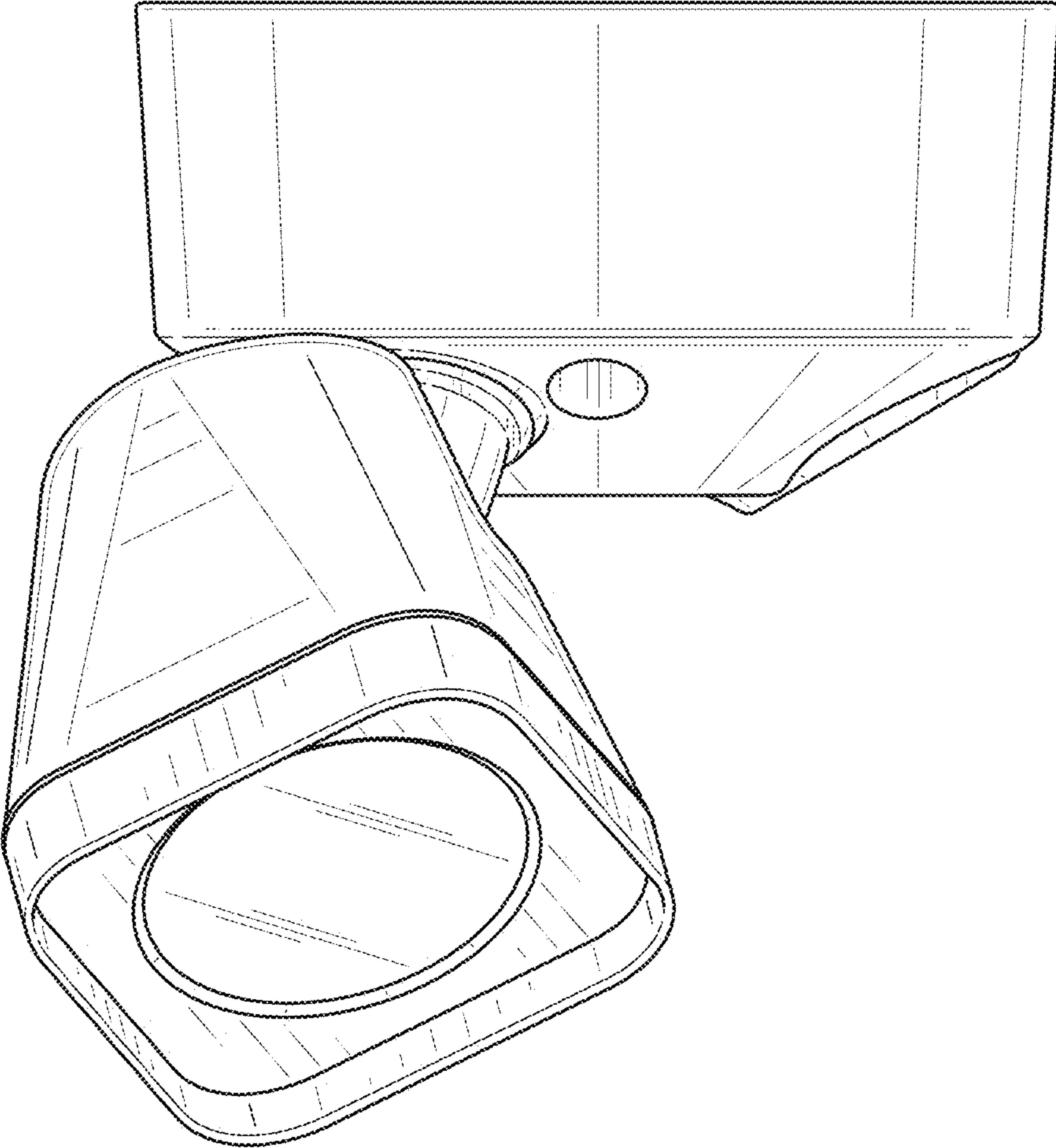


FIG. 8

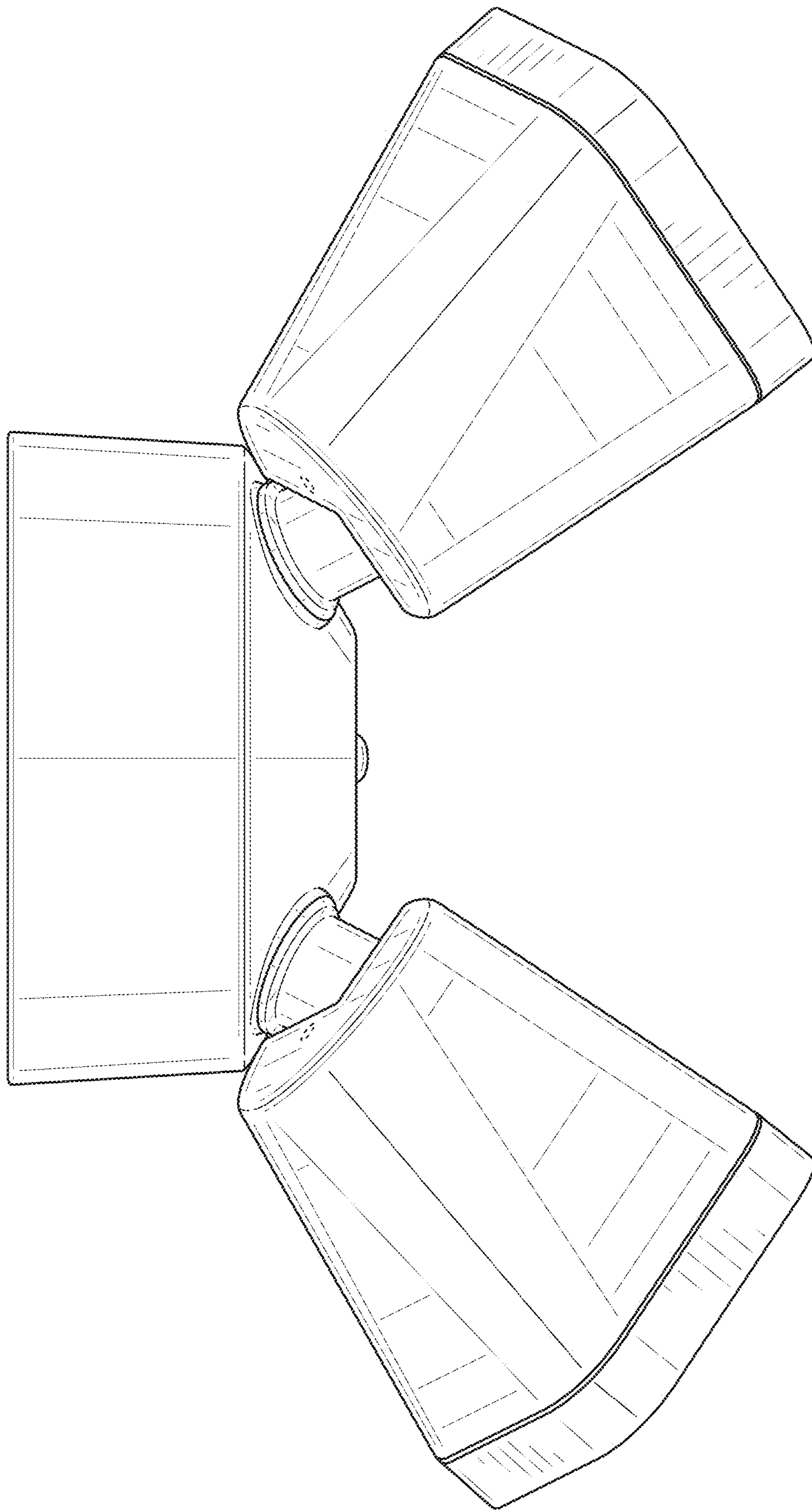


FIG. 9

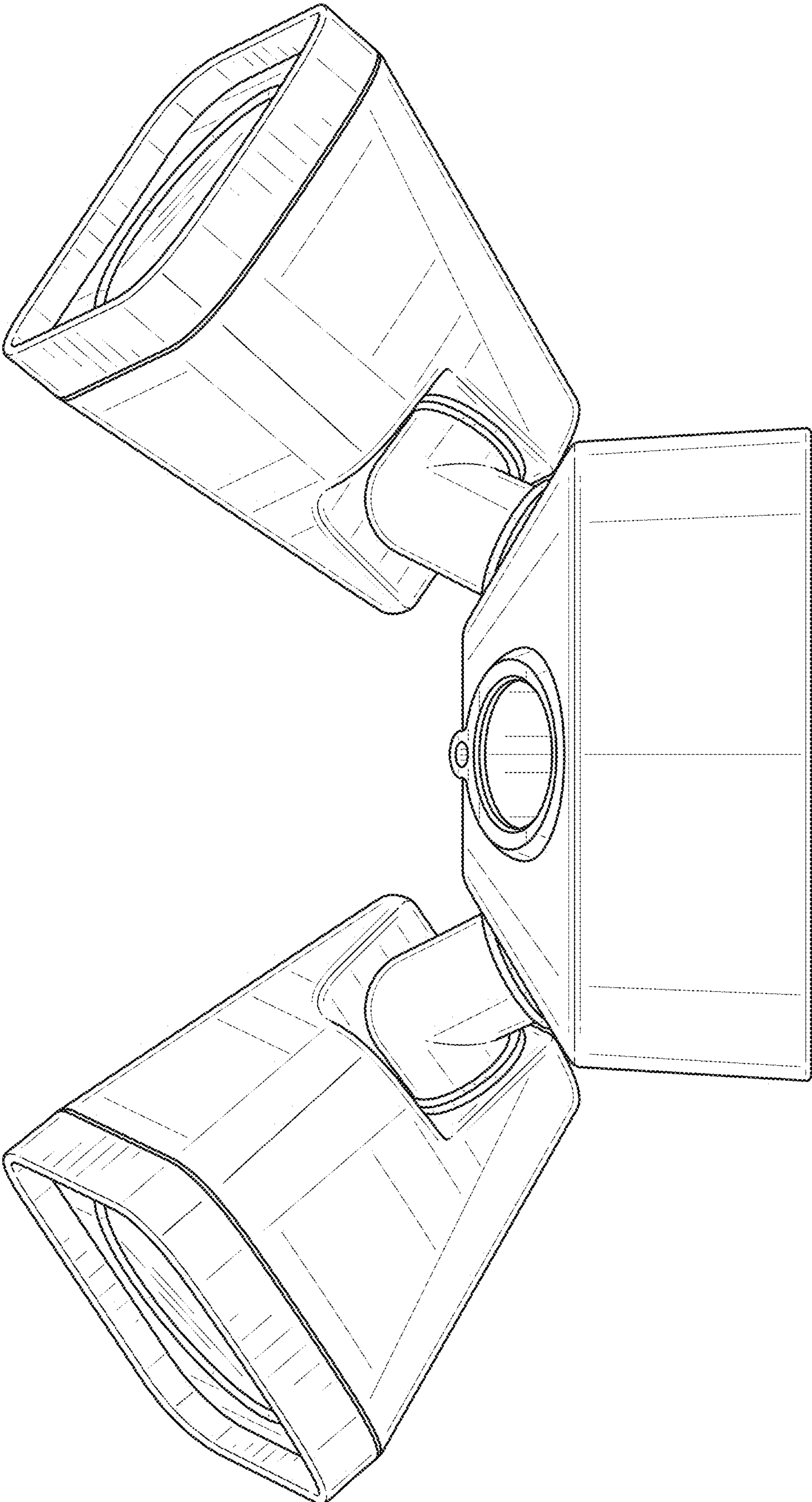


FIG. 10