



US00D888305S

(12) **United States Design Patent** (10) **Patent No.:** **US D888,305 S**  
**Yu** (45) **Date of Patent:** **\*\* Jun. 23, 2020**

(54) **HEADLAMP**

(71) Applicant: **Yi-Dong Yu**, Zhejiang (CN)

(72) Inventor: **Yi-Dong Yu**, Zhejiang (CN)

(\*\*) Term: **15 Years**

(21) Appl. No.: **29/672,633**

(22) Filed: **Dec. 7, 2018**

(51) **LOC (12) Cl.** ..... **26-02**

(52) **U.S. Cl.**  
USPC ..... **D26/39**

(58) **Field of Classification Search**  
USPC ..... D26/1, 24, 25, 43, 60, 110, 113, 28, 37,  
D26/61, 85, 102, 138-140, 39;  
362/249.14, 311.02, 311.13;  
D13/102-110, 184  
CPC ..... F21S 4/00; F21S 4/10; F21S 4/15; F21S  
4/26; F21S 8/00; F21S 8/03; F21S 8/033;  
F21S 8/036; F21S 9/037; F21S 9/02;  
F21S 9/022; F21V 11/02; F21V 11/06;  
F21V 17/10; F21V 17/16; F21V 23/00;  
F21V 23/04; F21V 33/00; F21V 1/00;  
F21V 1/10; F21V 1/143; F21W 2121/00;  
F21W 2121/04; F21Y 2115/10; F21L  
4/00; F21L 4/02; F21L 4/04; F21L 4/08;  
H01M 2/02; H01M 2/0207; H01M  
2/1022; H01M 2/0212

See application file for complete search history.

(56) **References Cited**

U.S. PATENT DOCUMENTS

D576,325 S \* 9/2008 Kim ..... D26/39  
D614,786 S \* 4/2010 Lee ..... D26/39  
D743,596 S \* 11/2015 Ormsbee ..... D26/39  
D851,307 S \* 6/2019 Sharrah ..... D26/39  
D871,654 S \* 12/2019 Reynolds ..... D26/118

\* cited by examiner

*Primary Examiner* — Abraham Bahta

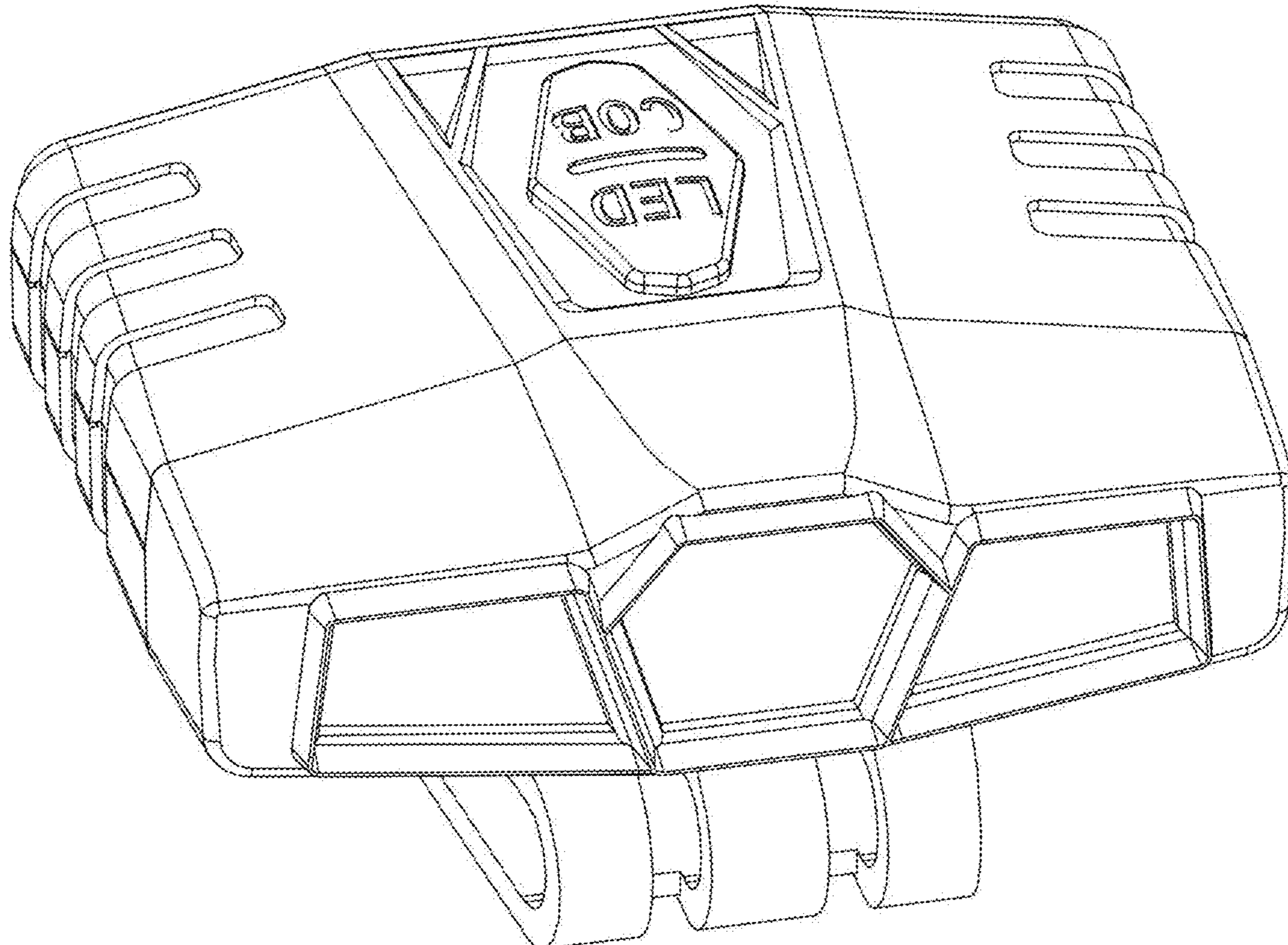
(57) **CLAIM**

The ornamental design for a headlamp, as shown and described.

**DESCRIPTION**

FIG. 1 is a perspective view of a headlamp showing my new design;  
FIG. 2 is a front elevational view thereof;  
FIG. 3 is a top plan view thereof;  
FIG. 4 is a left side elevational view thereof;  
FIG. 5 is a rear elevational view thereof;  
FIG. 6 is a right side view thereof; and,  
FIG. 7 is a bottom plan view thereof.

**1 Claim, 7 Drawing Sheets**



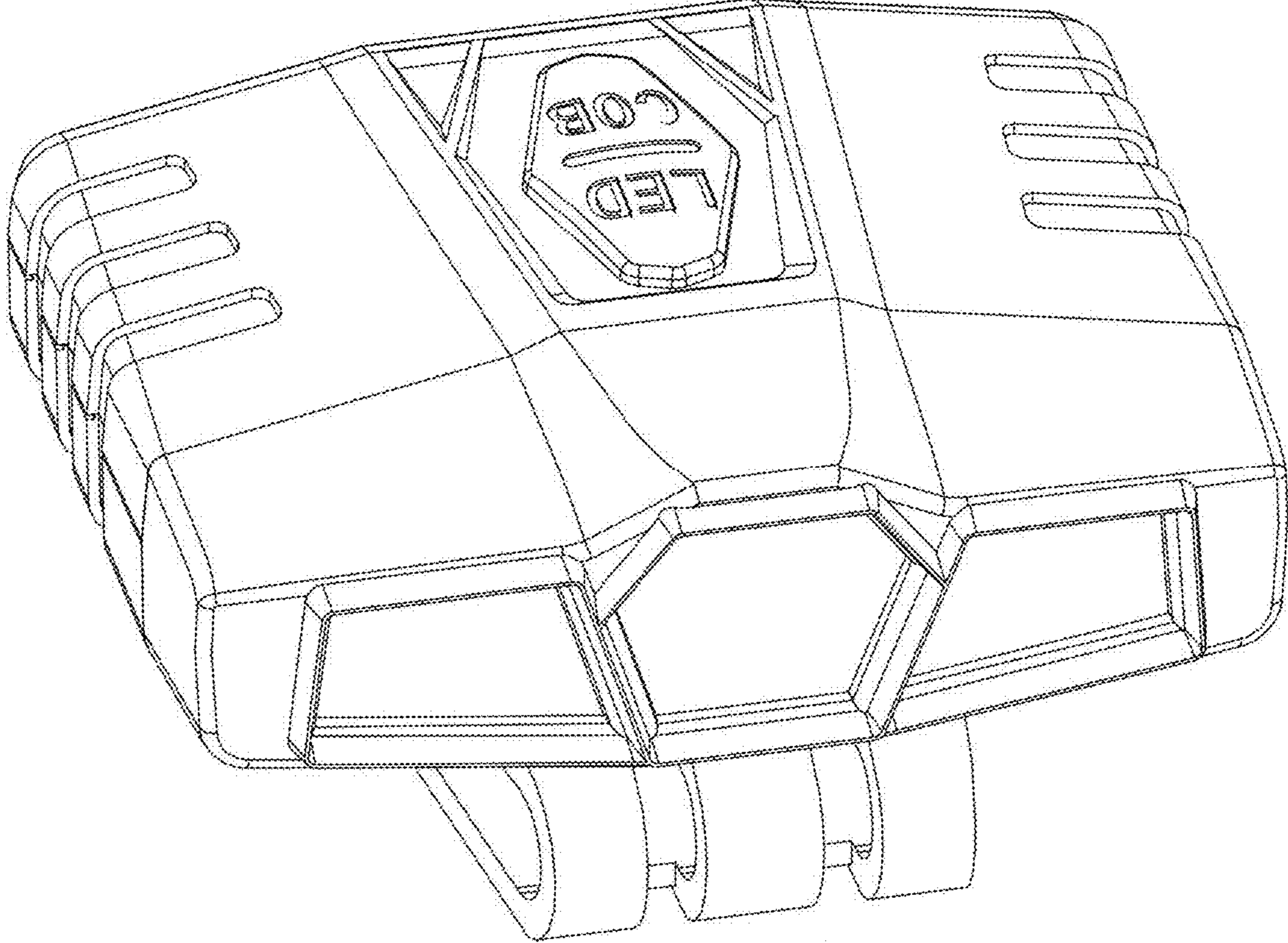


FIG. 1

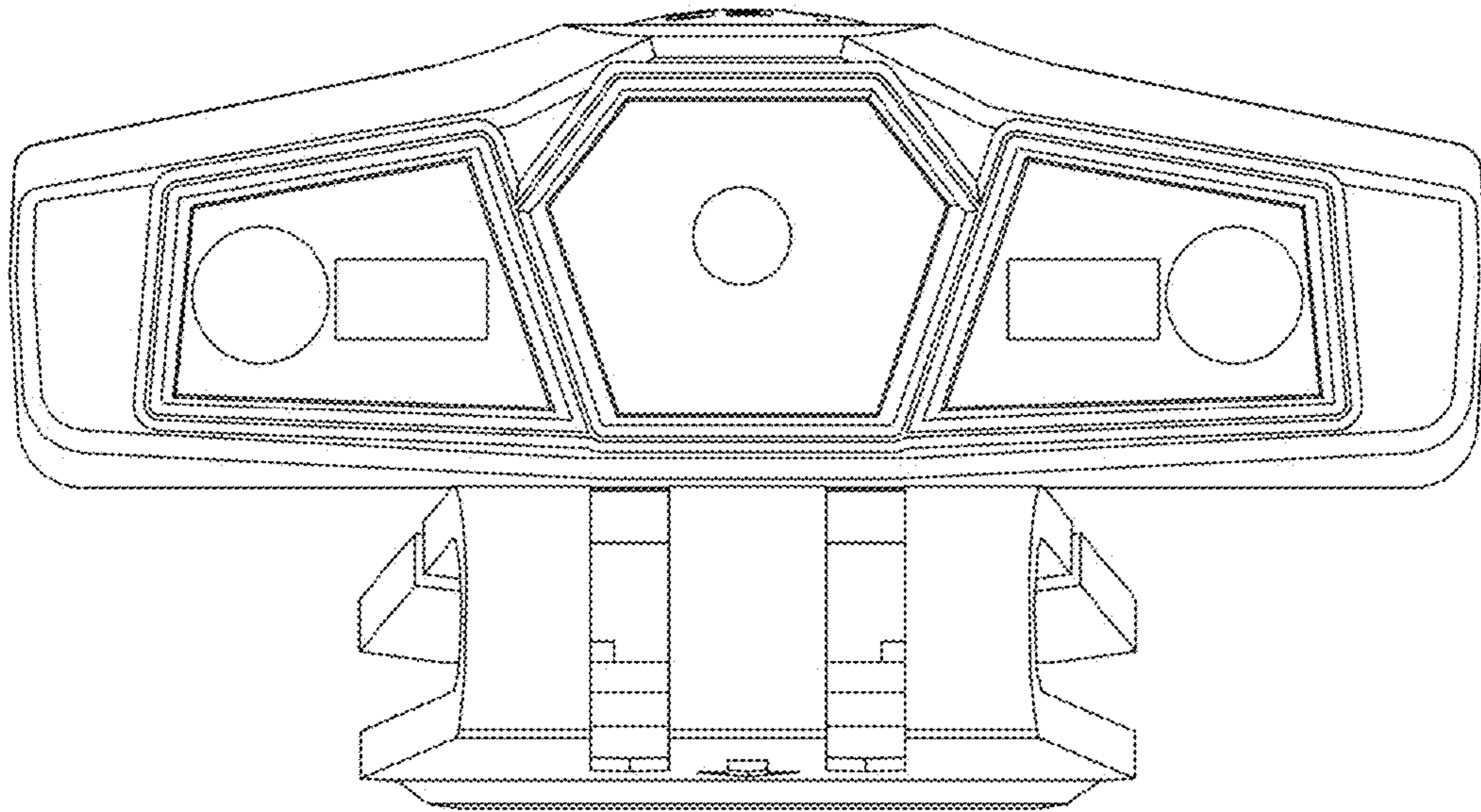


FIG. 2



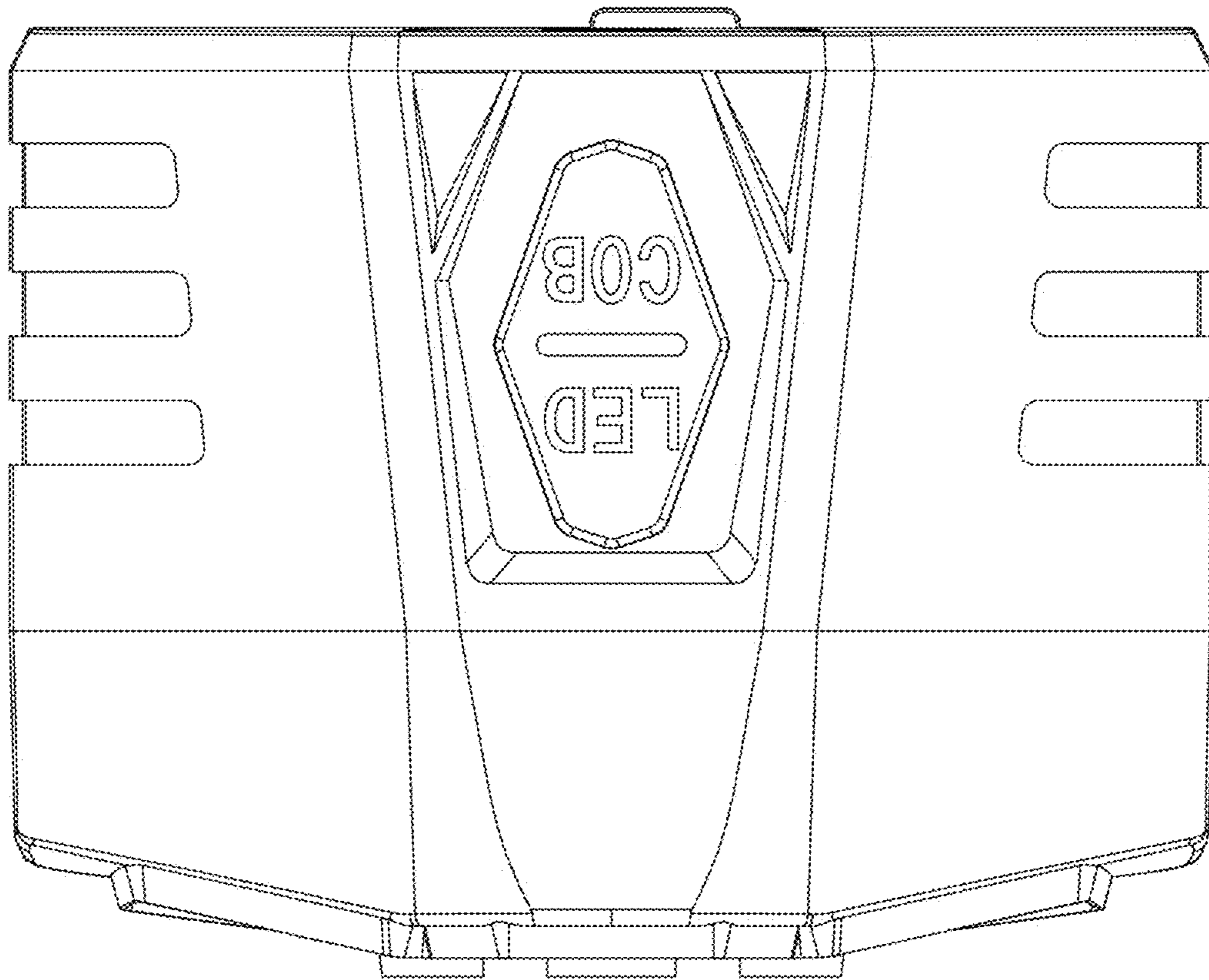


FIG. 3

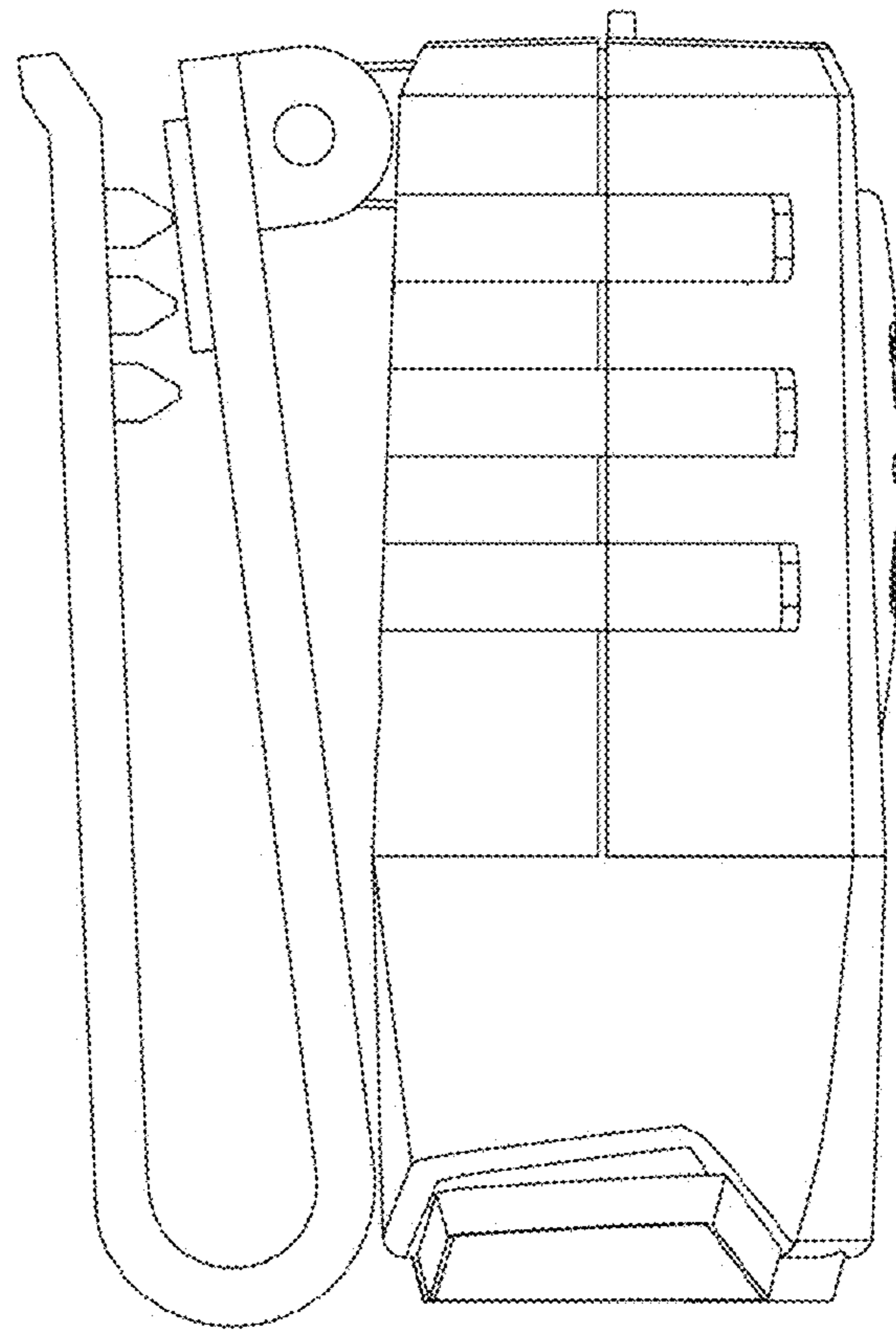


FIG. 4

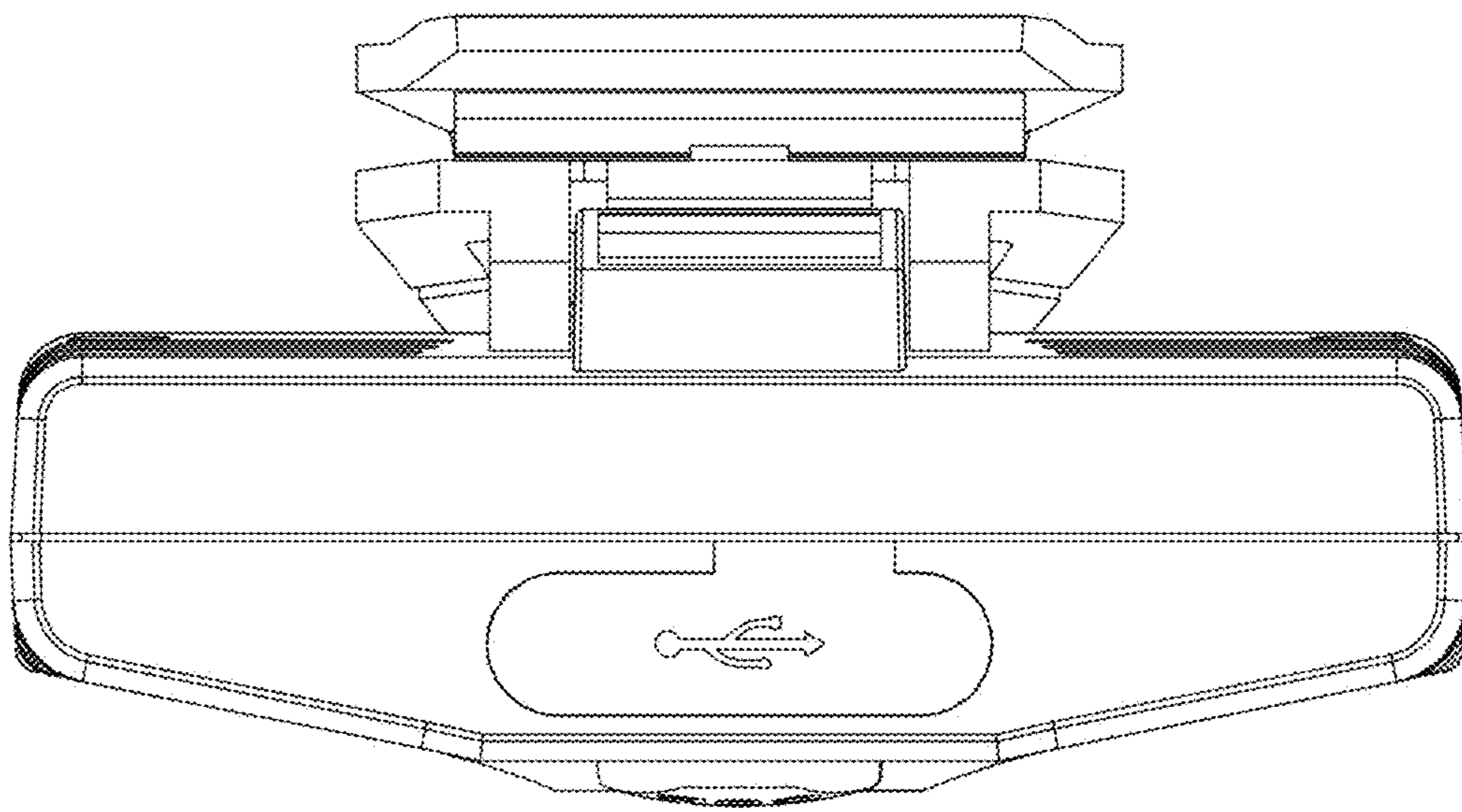


FIG. 5

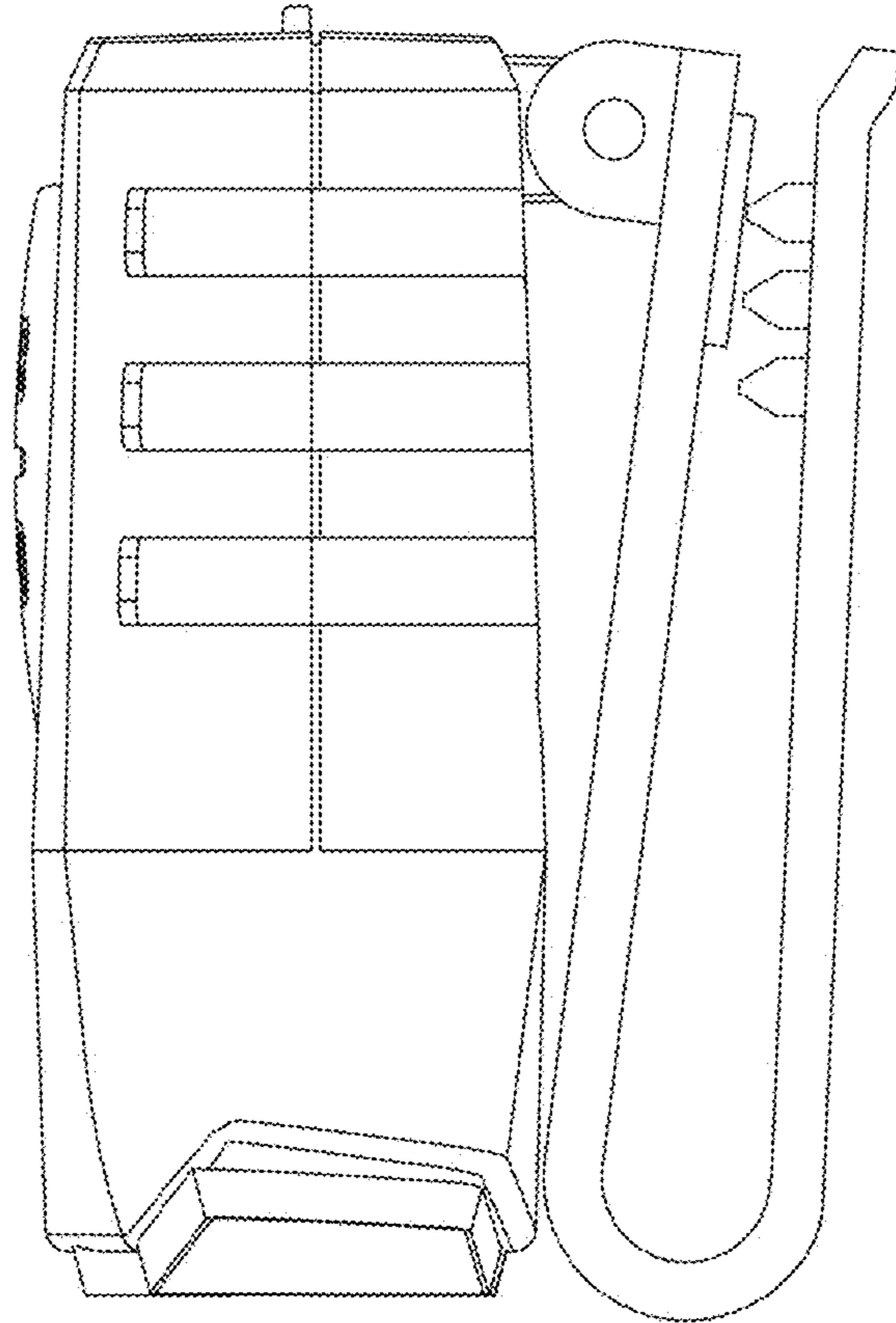


FIG. 6

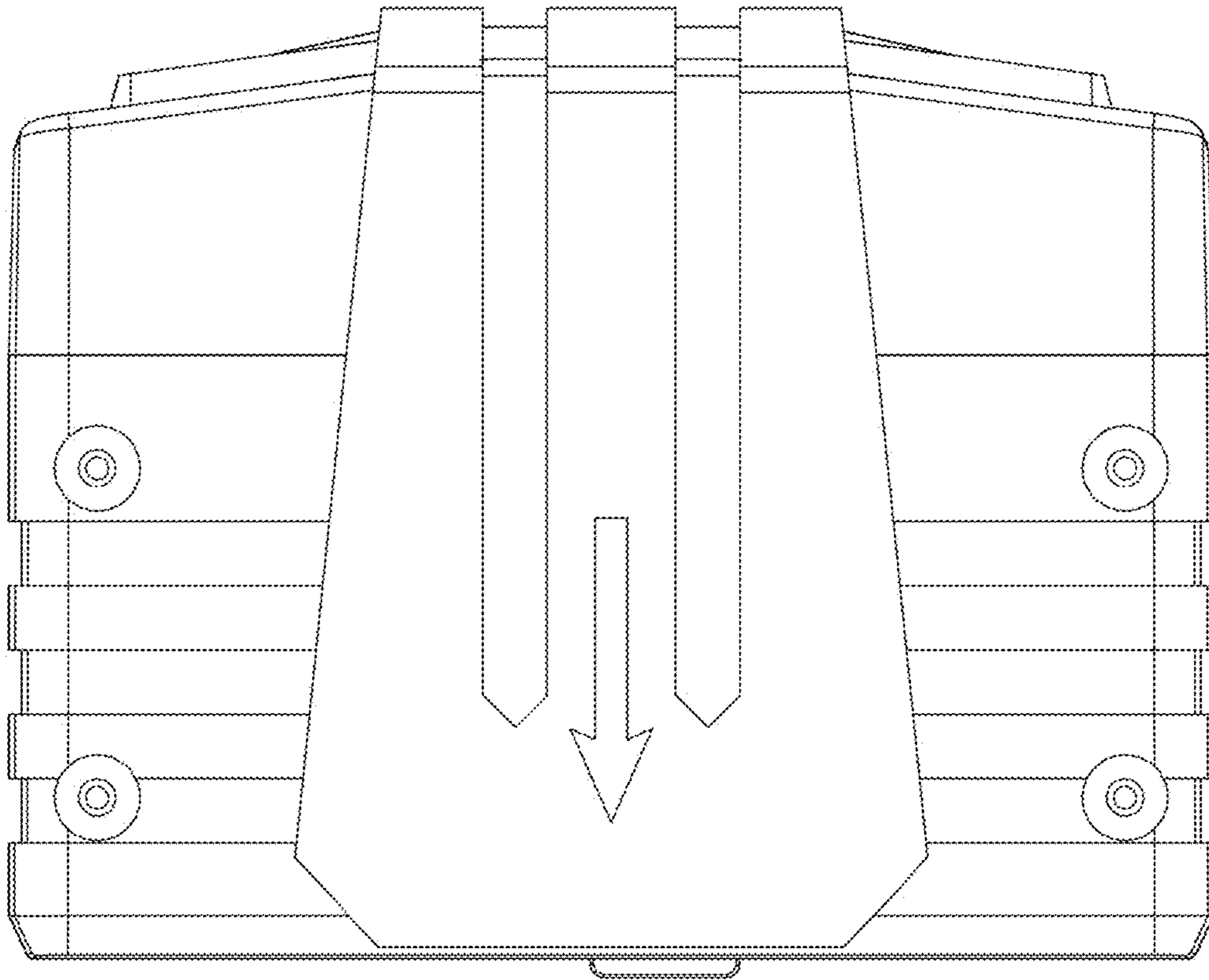


FIG. 7