



US00D888303S

(12) **United States Design Patent** (10) **Patent No.:** **US D888,303 S**  
**Kawakami** (45) **Date of Patent:** **\*\* Jun. 23, 2020**

(54) **PORTABLE LIGHTING APPARATUS**

(71) Applicant: **Cateye Co., Ltd.**, Osaka (JP)

(72) Inventor: **Kenta Kawakami**, Osaka (JP)

(73) Assignee: **Cateye Co., Ltd.**, Osaka (JP)

(\*\*) Term: **15 Years**

(21) Appl. No.: **29/650,213**

(22) Filed: **Jun. 5, 2018**

(30) **Foreign Application Priority Data**

Dec. 7, 2017 (JP) ..... 2017-027384

(51) **LOC (12) Cl.** ..... **26-02**

(52) **U.S. Cl.**  
USPC ..... **D26/39; D26/38**

(58) **Field of Classification Search**  
USPC ..... D12/86, 90-92, 114, 163, 169, 171-173,  
D12/181, 190, 196, 197, 199, 400;  
D26/28-39  
CPC ... B62J 6/02; B62J 6/00; B60Q 3/0279; F21S  
48/00; F21S 48/10; F21S 48/115; F21S  
48/225; F21S 48/1233; F21S 48/1266;  
F21S 48/1388; F21S 48/2268; F21V  
21/04

See application file for complete search history.

(56) **References Cited**

**U.S. PATENT DOCUMENTS**

D217,638 S \* 5/1970 Etobicoke ..... D26/123  
D242,780 S \* 12/1976 Kelley ..... D10/114.1  
D362,079 S \* 9/1995 Brown ..... D26/39  
D376,025 S 11/1996 Lewis  
D377,988 S \* 2/1997 Brain ..... D26/37  
D568,516 S \* 5/2008 Hillard ..... D26/60  
D682,451 S \* 5/2013 Hardy ..... D26/60  
D740,474 S \* 10/2015 Pineau ..... D26/37  
D745,721 S \* 12/2015 Smith ..... D26/28

D774,245 S \* 12/2016 Johnson ..... D26/124  
D813,431 S \* 3/2018 Cacciabeve ..... D26/37  
D857,958 S \* 8/2019 Willows ..... D26/38  
2011/0063849 A1 \* 3/2011 Alexander ..... F21V 19/001  
362/294  
2015/0263239 A1 \* 9/2015 Watanabe ..... F21V 13/14  
362/293

**FOREIGN PATENT DOCUMENTS**

JP 1594867 1/2018  
TW 247821 5/1995  
TW D116254 4/2007

**OTHER PUBLICATIONS**

Cateye | Intl | Products | Safety Lights | SL-WA10 | Wearable Mini,  
posted on Aug. 21, 2018, © Cateye Co.,Ltd [online], [site visited  
Feb. 18, 2020]. Available from Internet, <URL: cateye.com/intl/  
products/safety\_lights/SL-WA10/>.\*

\* cited by examiner

*Primary Examiner* — Philip S Hyder  
*Assistant Examiner* — Cary M Robinson  
(74) *Attorney, Agent, or Firm* — Saul Ewing Arnstein &  
Lehr LLP

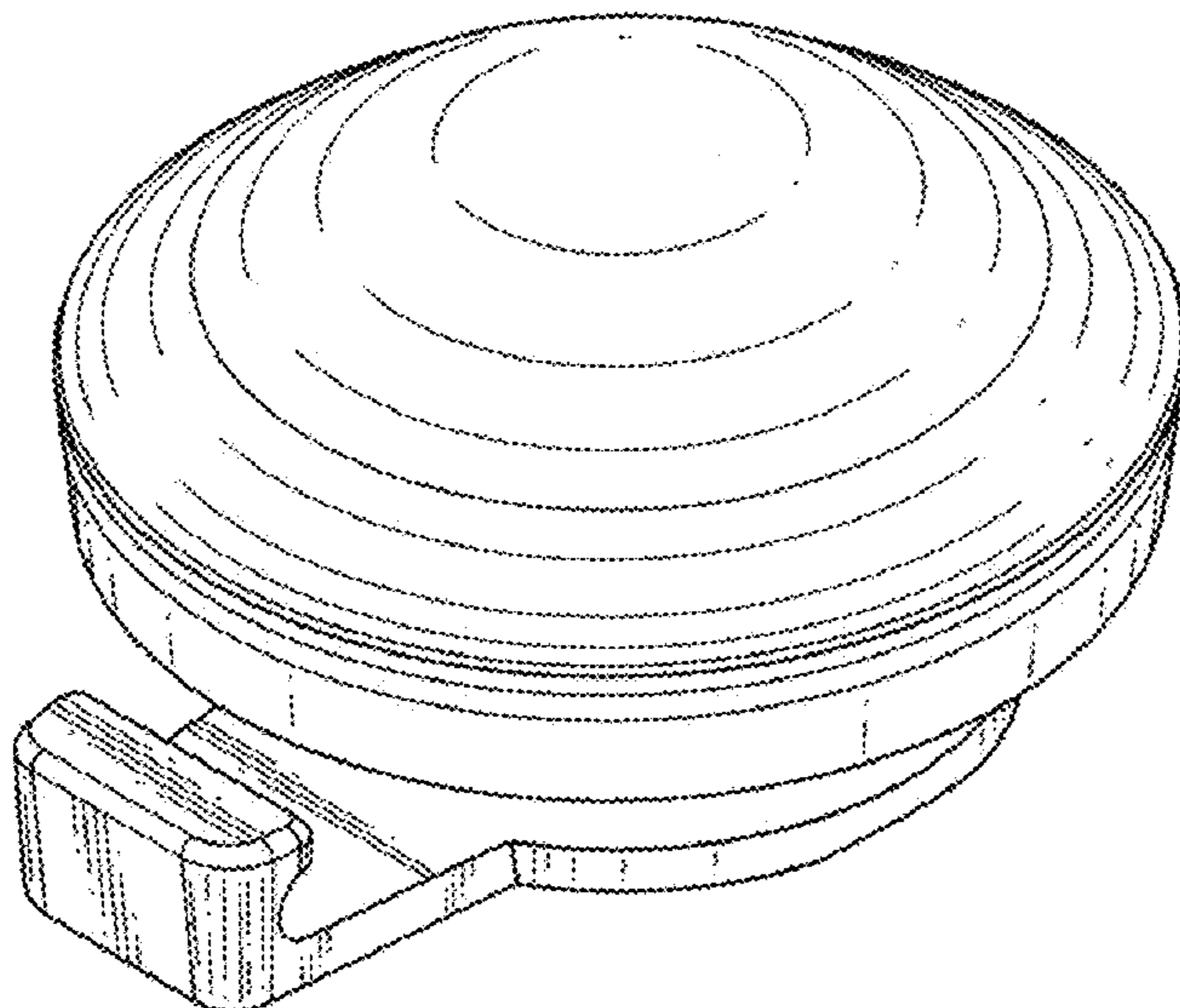
(57) **CLAIM**

The ornamental design for portable lighting apparatus, as  
shown.

**DESCRIPTION**

FIG. 1 is a perspective view of a portable lighting apparatus  
showing my new design;  
FIG. 2 is a front elevational view thereof;  
FIG. 3 is a rear elevational view thereof;  
FIG. 4 is a right side view thereof;  
FIG. 5 is a left side view thereof;  
FIG. 6 is a top plan view thereof; and,  
FIG. 7 is a bottom plan view thereof.

**1 Claim, 6 Drawing Sheets**



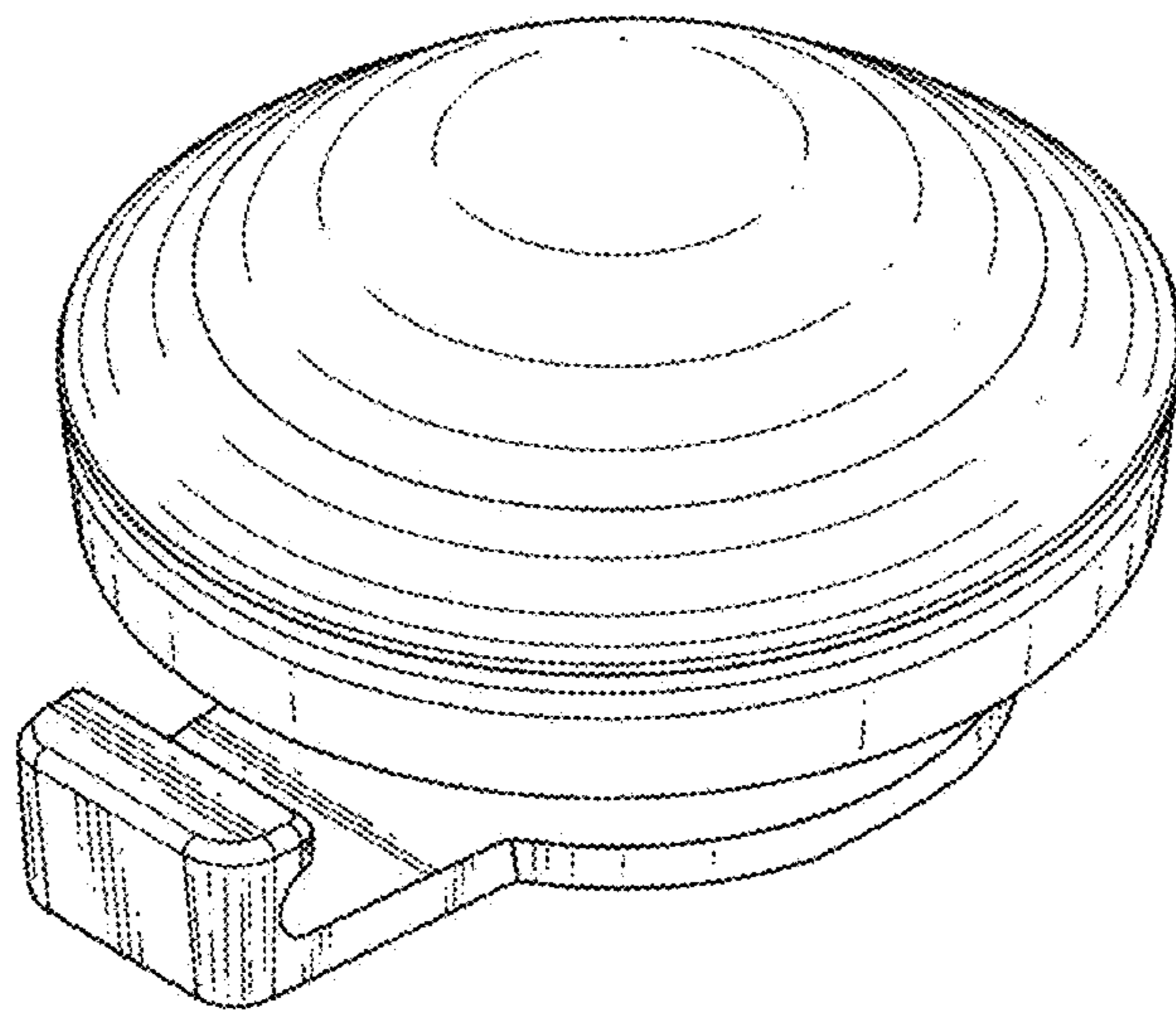


Fig. 1

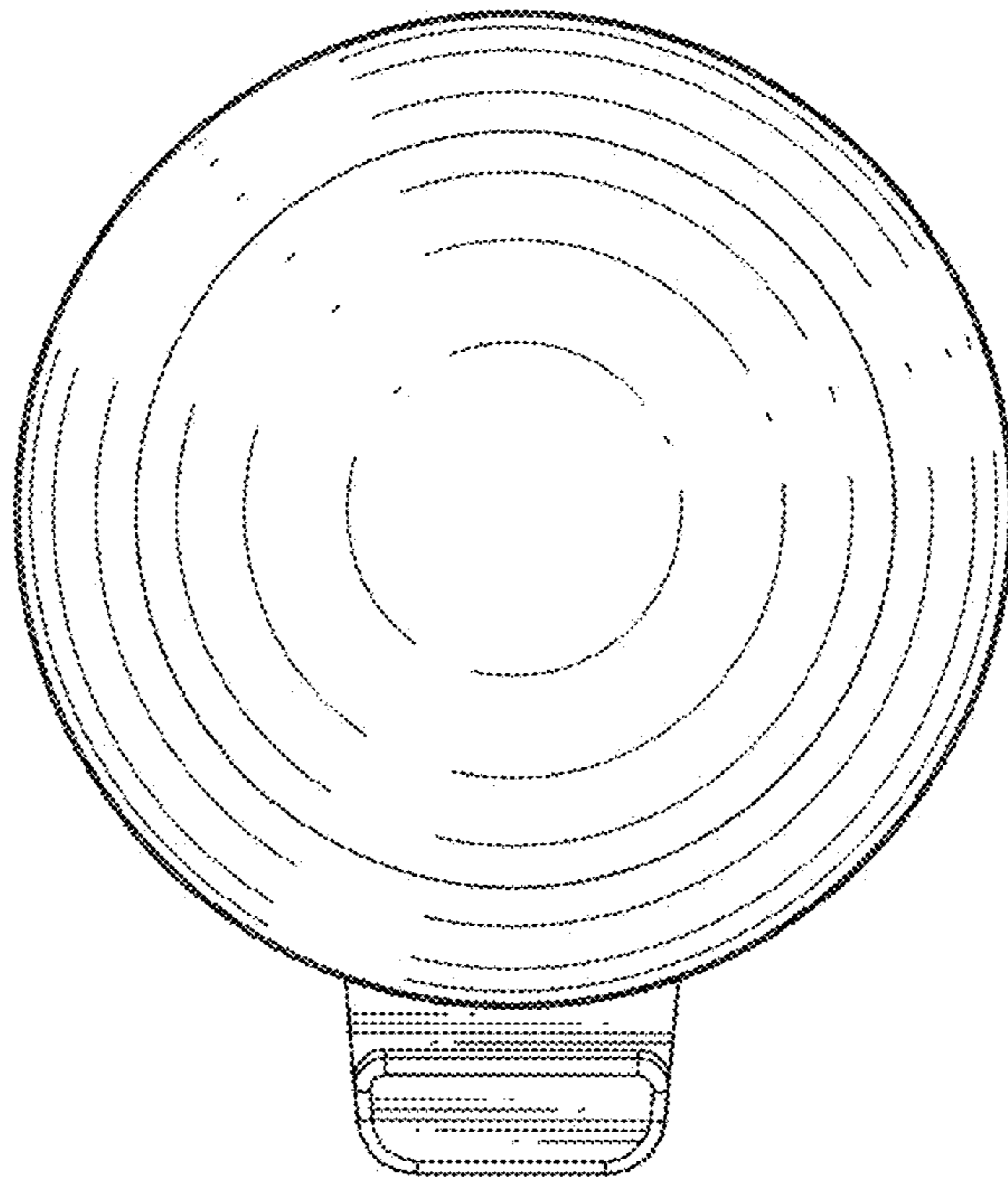


Fig. 2

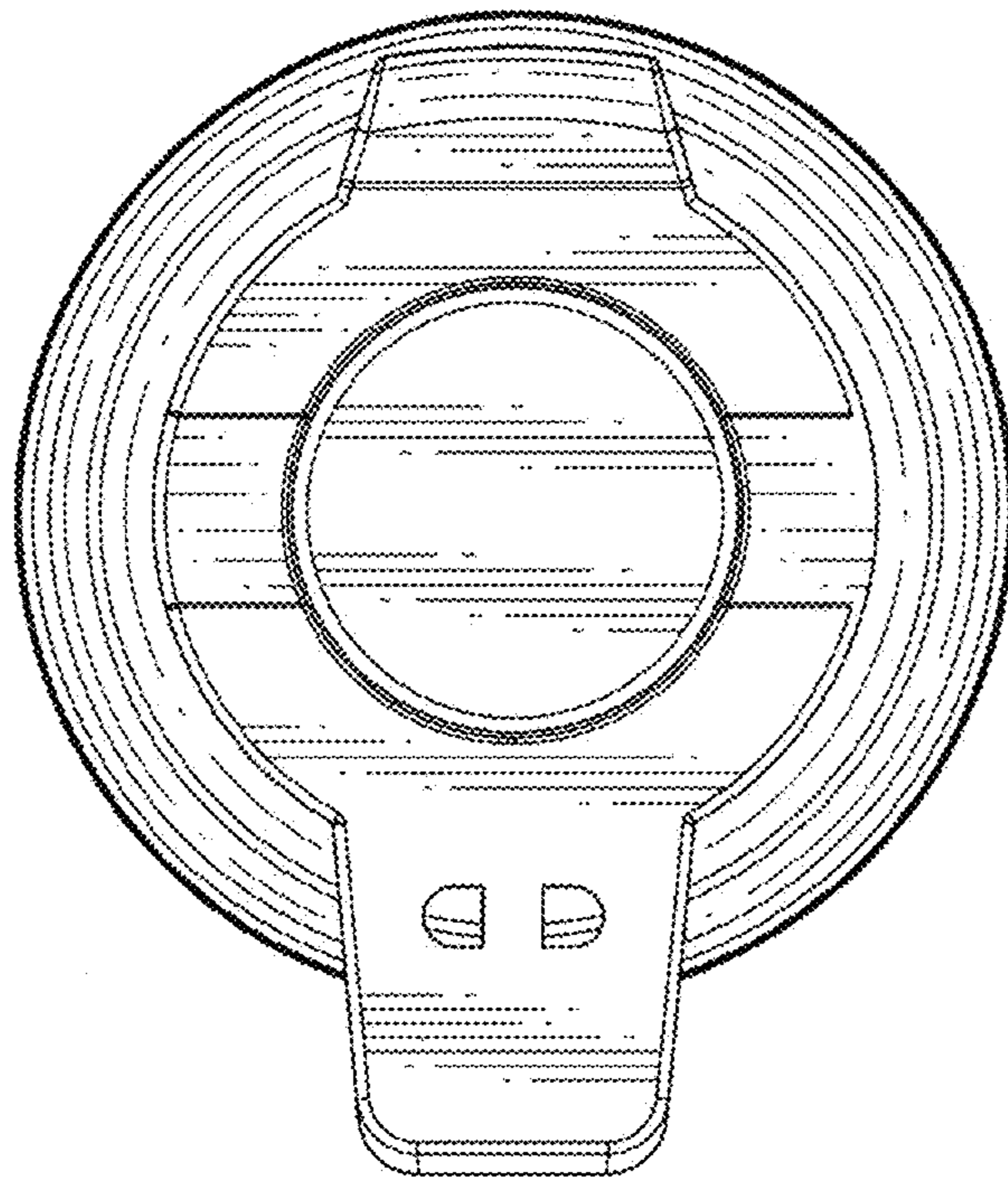


Fig. 3

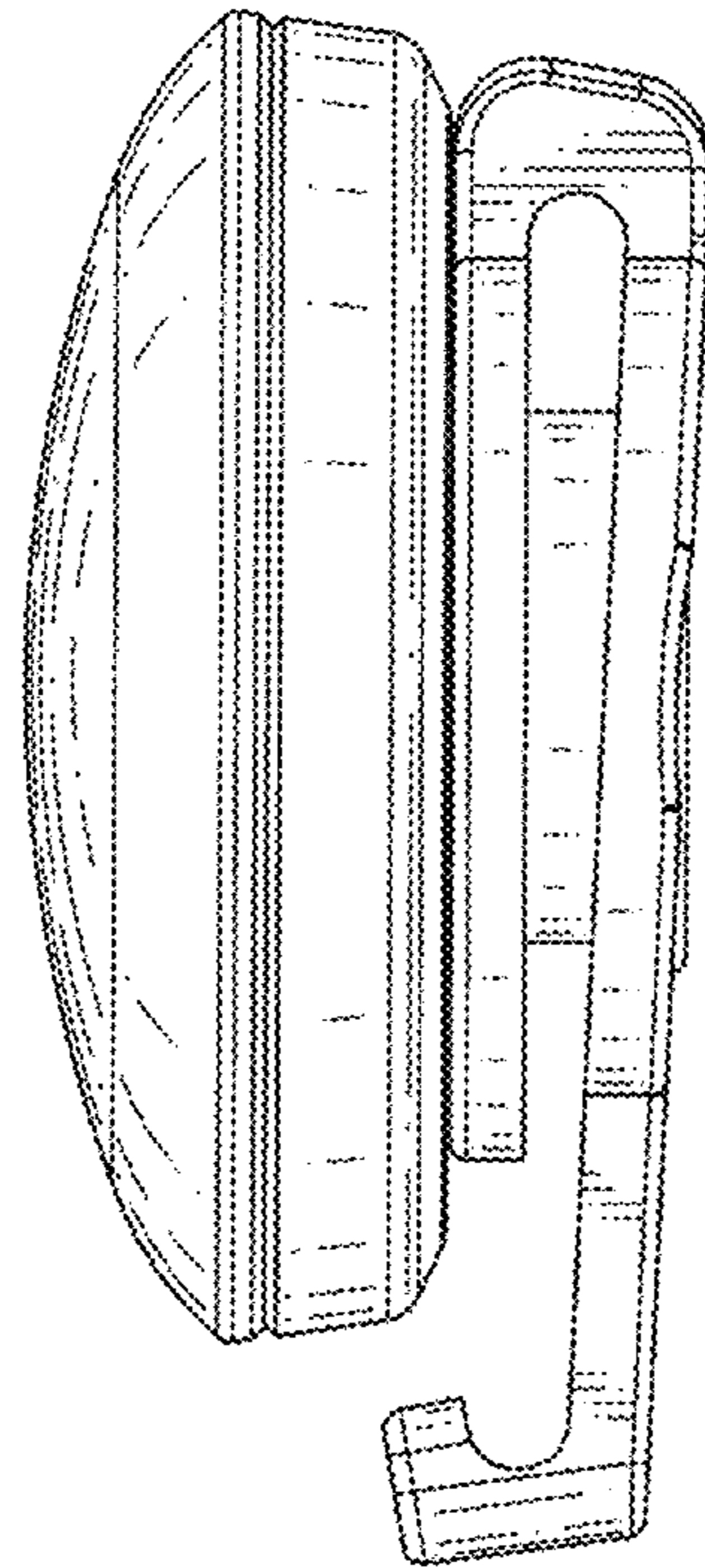


Fig. 4

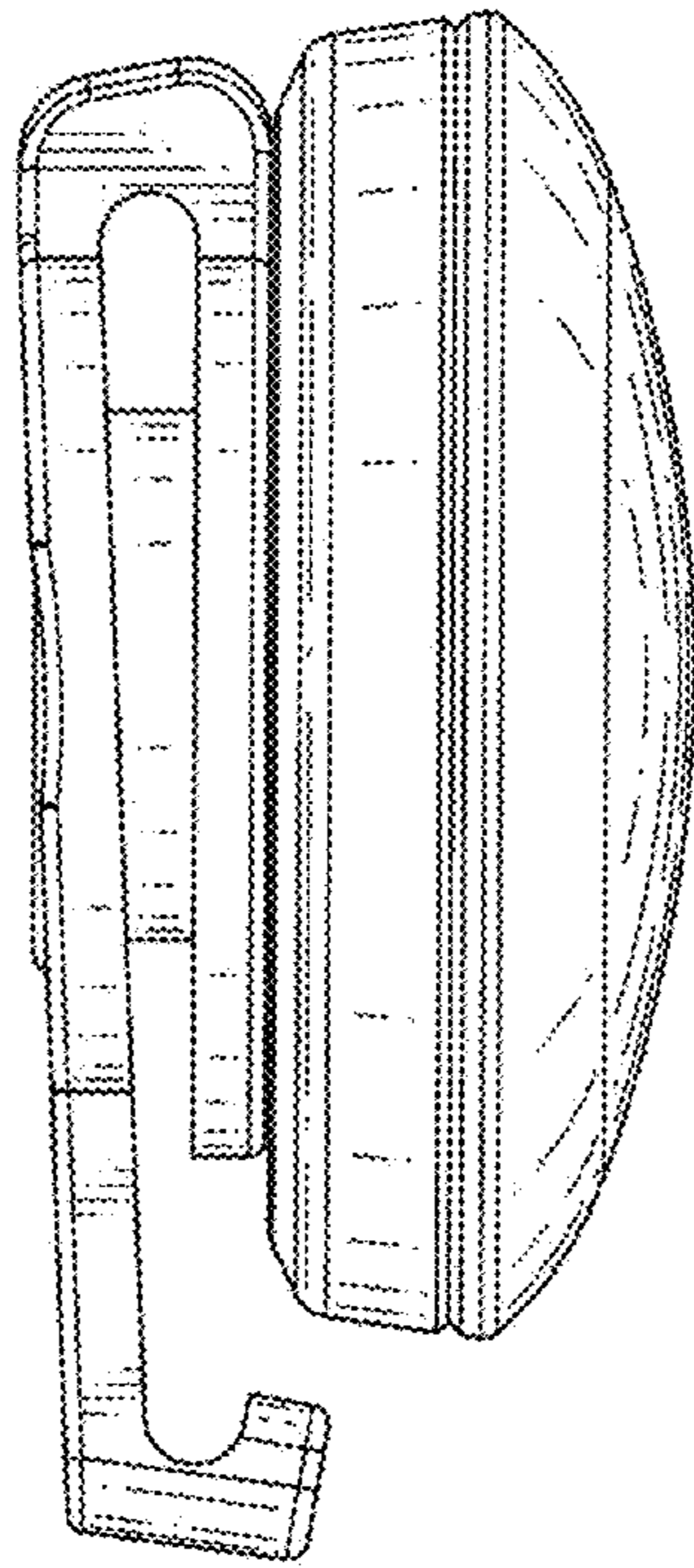


Fig. 5

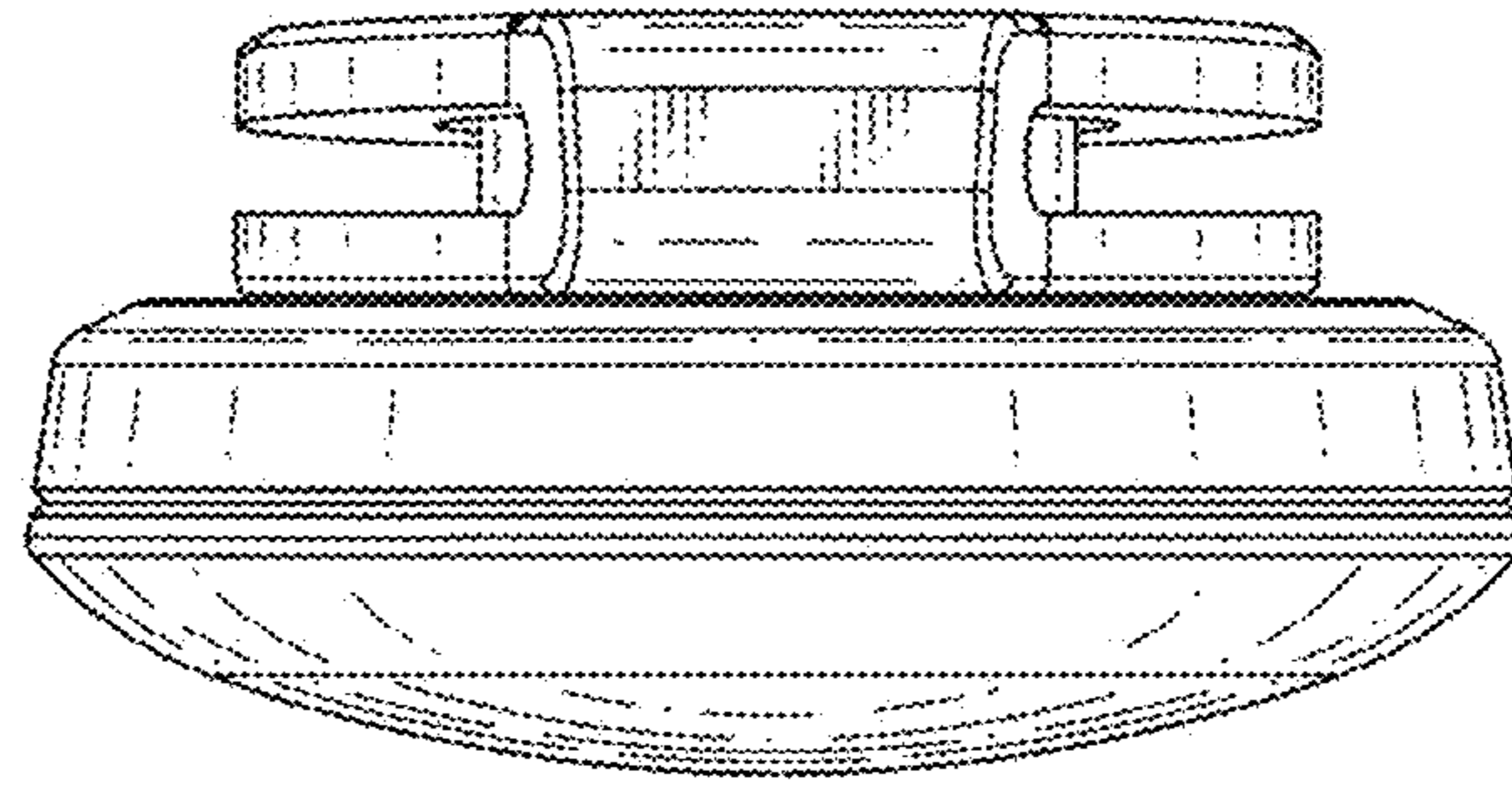


Fig. 6

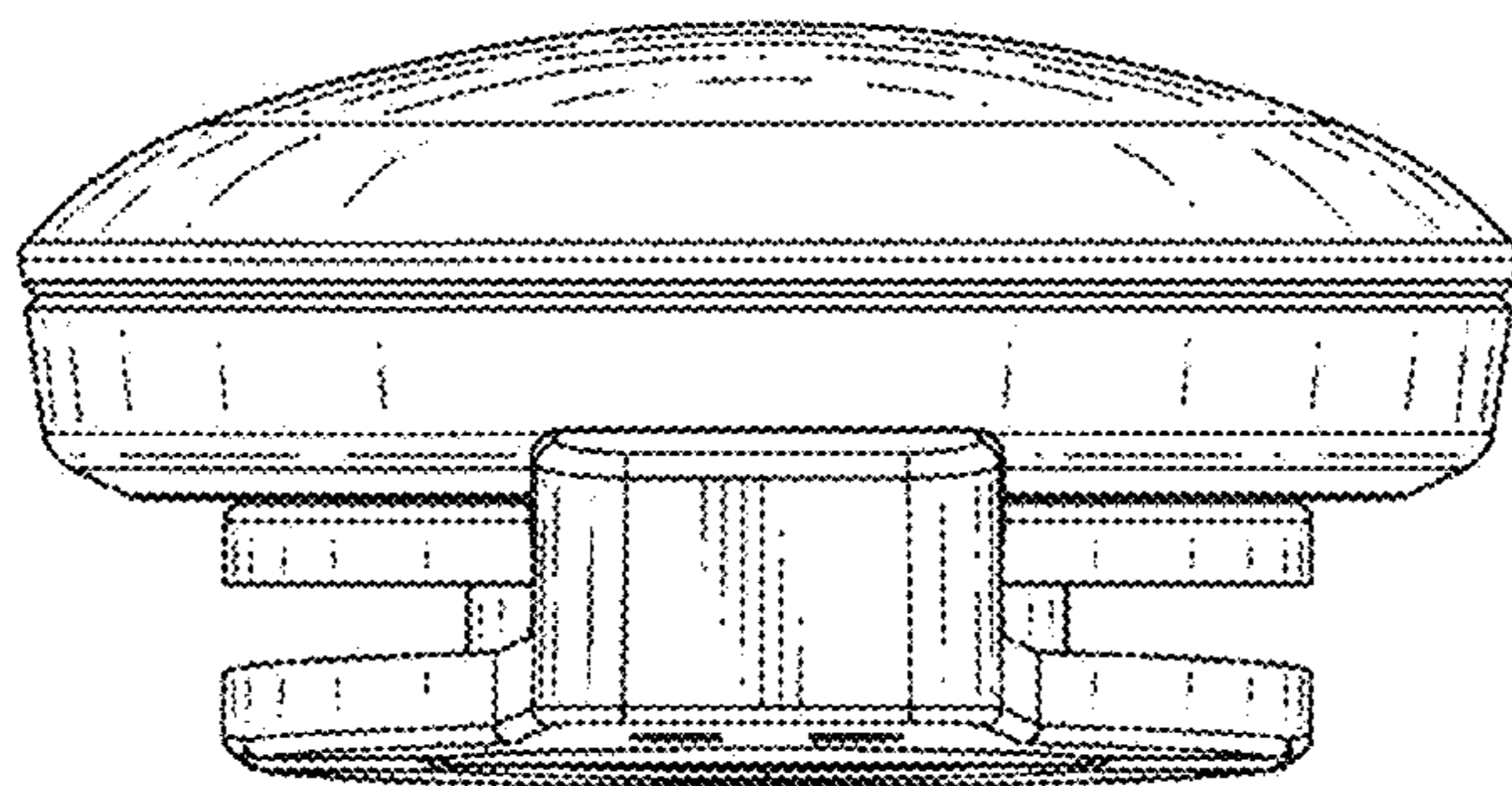


Fig. 7