



US00D888302S

(12) **United States Design Patent**
Boddaert

(10) **Patent No.:** **US D888,302 S**
(45) **Date of Patent:** **** Jun. 23, 2020**

(54) **WEARABLE LIGHT**

(71) Applicant: **DECATHLON**, Villeneuve d'Ascq
(FR)

(72) Inventor: **Lucie Boddaert**, Marcq en Baroeul
(FR)

(73) Assignee: **DECATHLON**, Villeneuve d'Ascq
(FR)

(**) Term: **15 Years**

(21) Appl. No.: **29/635,347**

(22) Filed: **Jan. 30, 2018**

(30) **Foreign Application Priority Data**

Jul. 31, 2017 (EM) 004129005

(51) **LOC (12) Cl.** **26-02**

(52) **U.S. Cl.**
USPC **D26/39**

(58) **Field of Classification Search**
USPC D26/37-51
CPC F21L 2003/00; F21L 4/00; F21L 4/005;
F21L 4/02; F21L 4/025; F21L 4/027;
F21L 4/04; F21L 4/08; F21L 2005/00;
F21L 7/00; F21L 11/00; F21L 13/00;
F21L 13/04; F21L 13/08; F21L 14/02;
F21L 17/00; F21L 19/00; F21L 25/00
See application file for complete search history.

(56) **References Cited**

U.S. PATENT DOCUMENTS

D297,172 S * 8/1988 Flohr D26/39
D383,229 S * 9/1997 Kiichiro D26/39
D499,199 S * 11/2004 Cooper D26/39
D533,954 S * 12/2006 Opolka D26/39
D539,952 S * 4/2007 Iranyi D26/39
D583,971 S * 12/2008 Castellucci D26/39

D620,160 S * 7/2010 Kang D26/39
D624,221 S * 9/2010 DeBrunner D26/39
D625,863 S * 10/2010 Kingston D26/39
D635,702 S * 4/2011 Hesse D26/39
D651,732 S * 1/2012 Hopkins D26/39
D680,250 S * 4/2013 Opolka D26/39
D683,489 S * 5/2013 Lee D26/39
D721,842 S * 1/2015 Opolka D26/39
D724,248 S * 3/2015 Brands D26/39
D726,356 S * 4/2015 Windom D13/103
D734,518 S * 7/2015 Zimmermann D26/39
D744,135 S * 11/2015 Menjor D26/39
D747,021 S * 1/2016 Hunnewell D26/39
D752,259 S * 3/2016 Hine D26/39
D782,716 S * 3/2017 McLennan D26/37
D788,339 S * 5/2017 Koshiba D26/39
D803,442 S * 11/2017 Green D26/39
D805,667 S * 12/2017 Green D26/39

(Continued)

Primary Examiner — Lakiya G Rogers

Assistant Examiner — Carissa C Fitts

(74) *Attorney, Agent, or Firm* — Fross, Zelnick, Lehrman
& Zissu, PC; Charles T. J. Weigell, Esq.

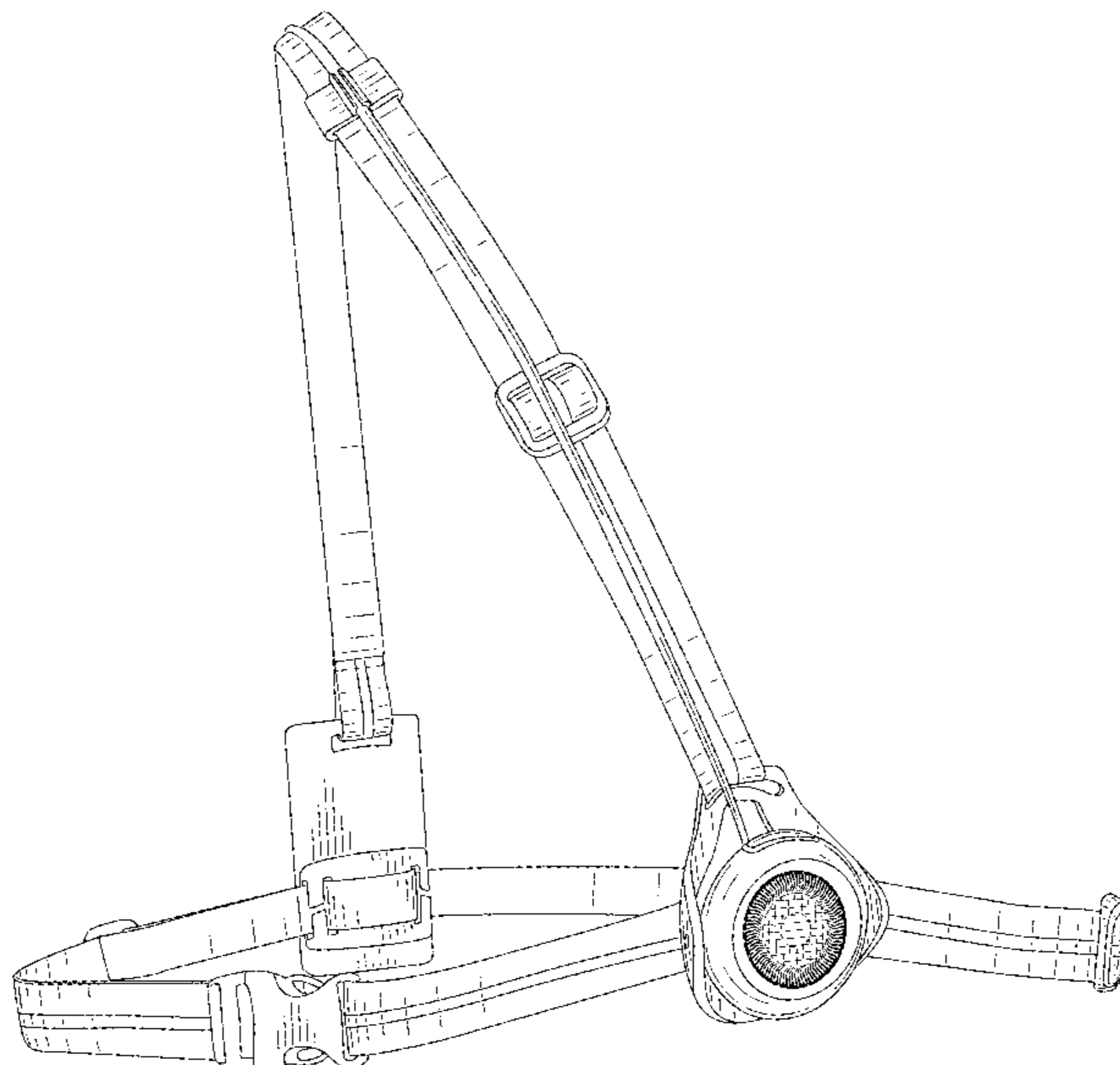
(57) **CLAIM**

The ornamental design for a wearable light, as shown and described.

DESCRIPTION

FIG. 1 is a front perspective view of a wearable light showing my new design;
FIG. 2 is a back perspective view thereof;
FIG. 3 is a front view thereof;
FIG. 4 is a back view thereof;
FIG. 5 is a right side view thereof;
FIG. 6 is a left side view thereof;
FIG. 7 is a top view thereof; and,
FIG. 8 is a bottom view thereof.
The broken lines show portions of the article which form no part of the claimed design.

1 Claim, 8 Drawing Sheets



(56)

References Cited

U.S. PATENT DOCUMENTS

D813,432 S *	3/2018	Koshiba	D26/39
D818,167 S *	5/2018	Molnar	D26/51
D841,850 S *	2/2019	Williams	D26/39
D843,037 S *	3/2019	Li	D26/39

* cited by examiner

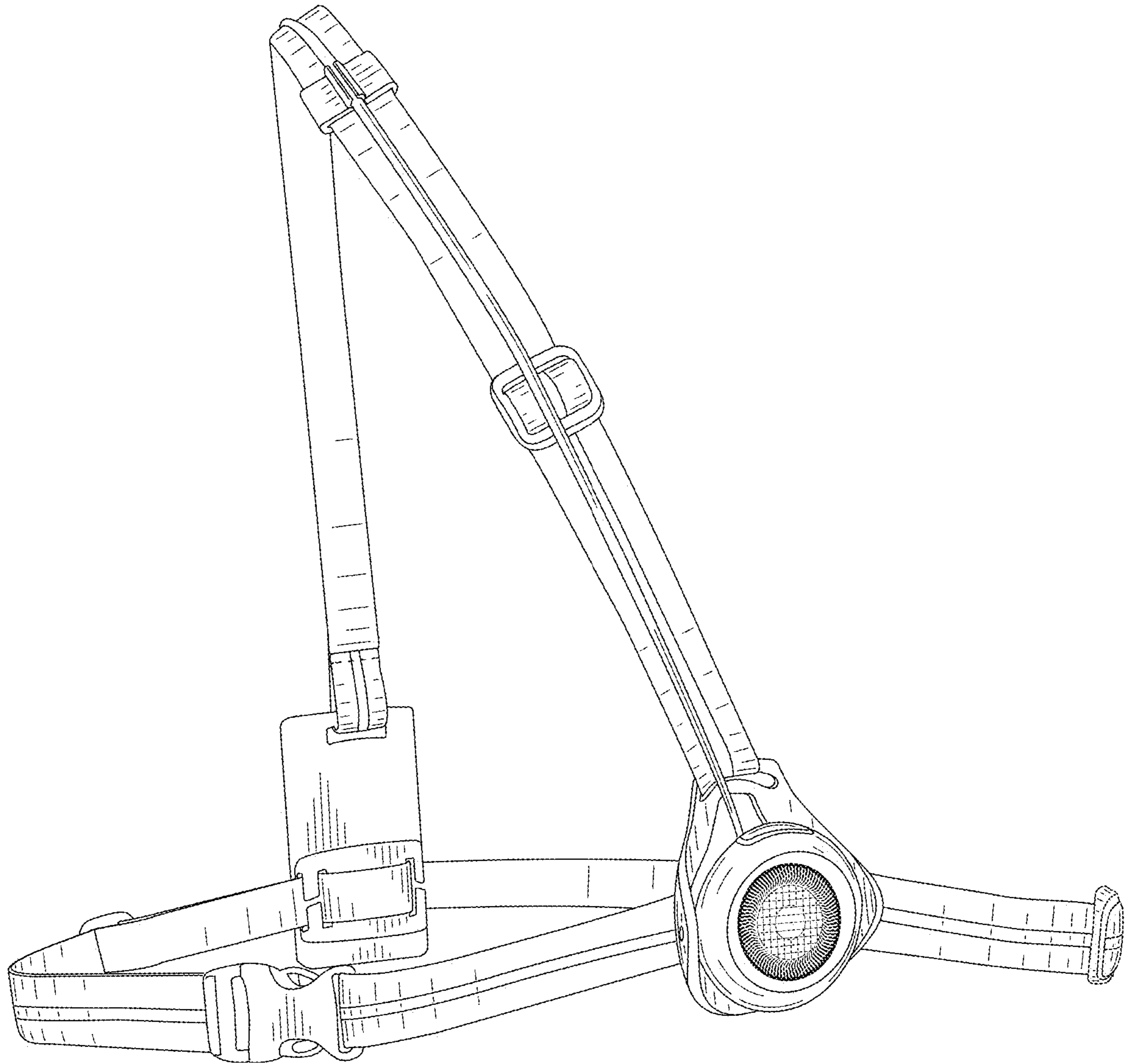


FIG. 1

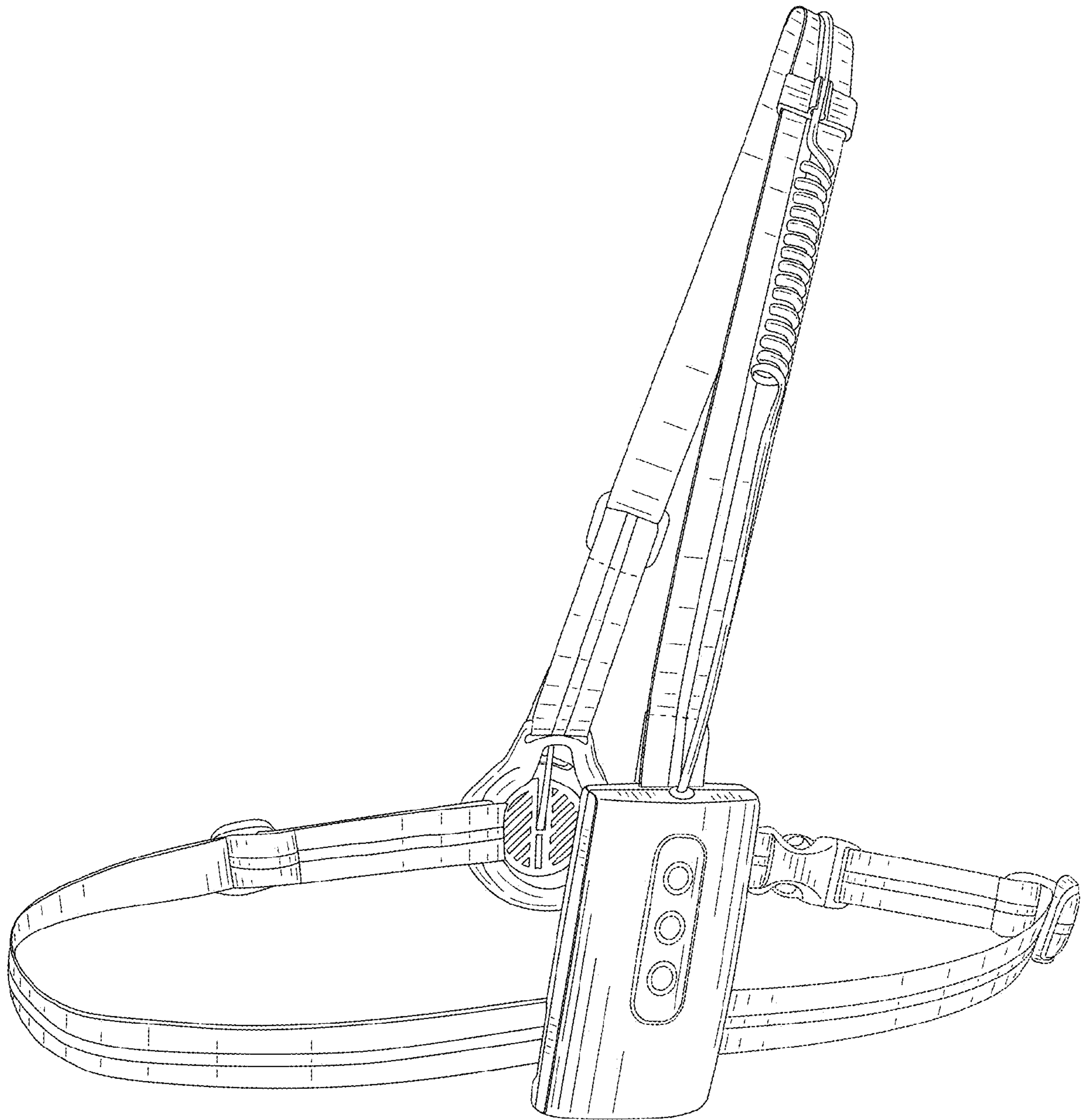


FIG. 2

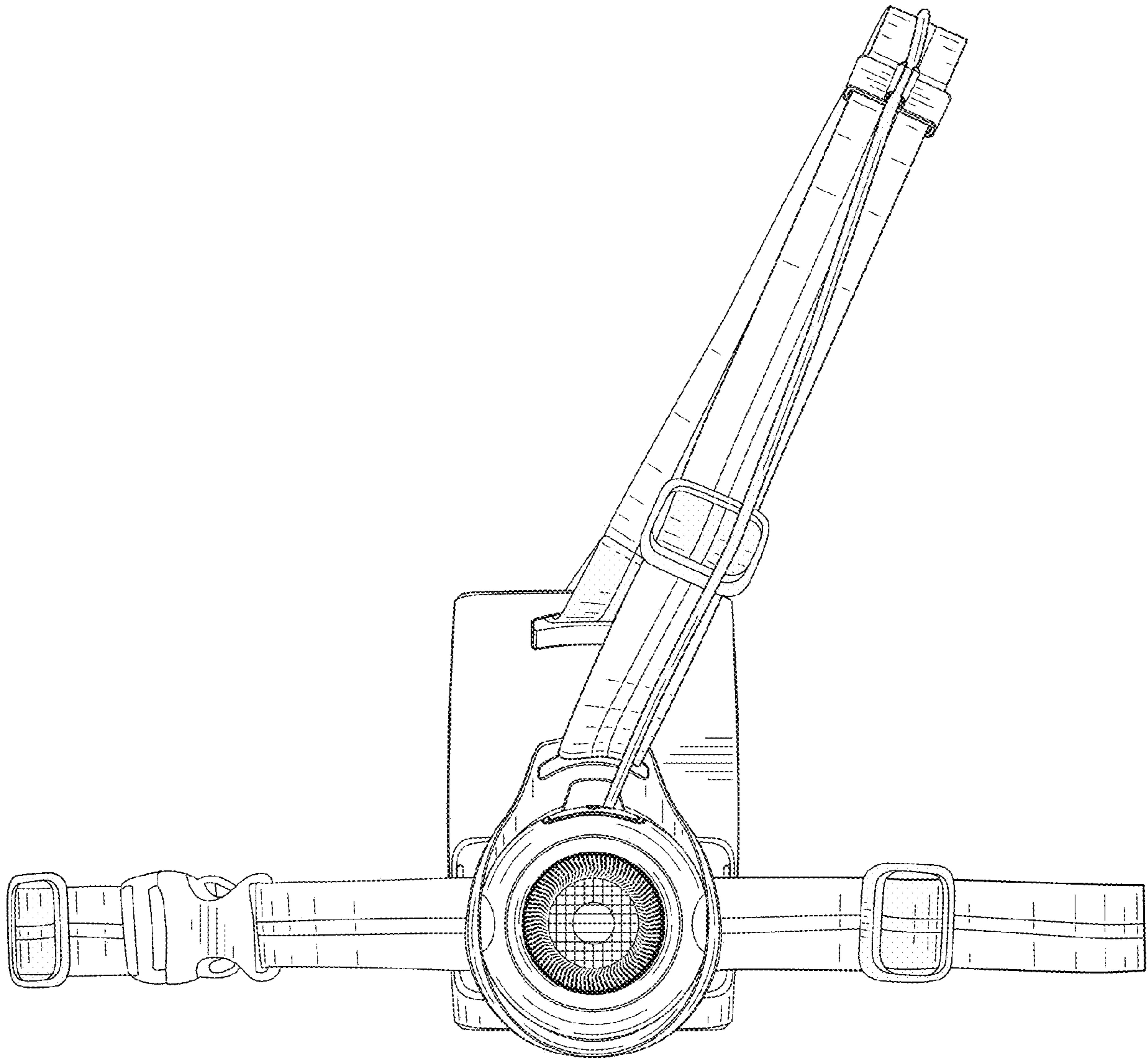


FIG. 3

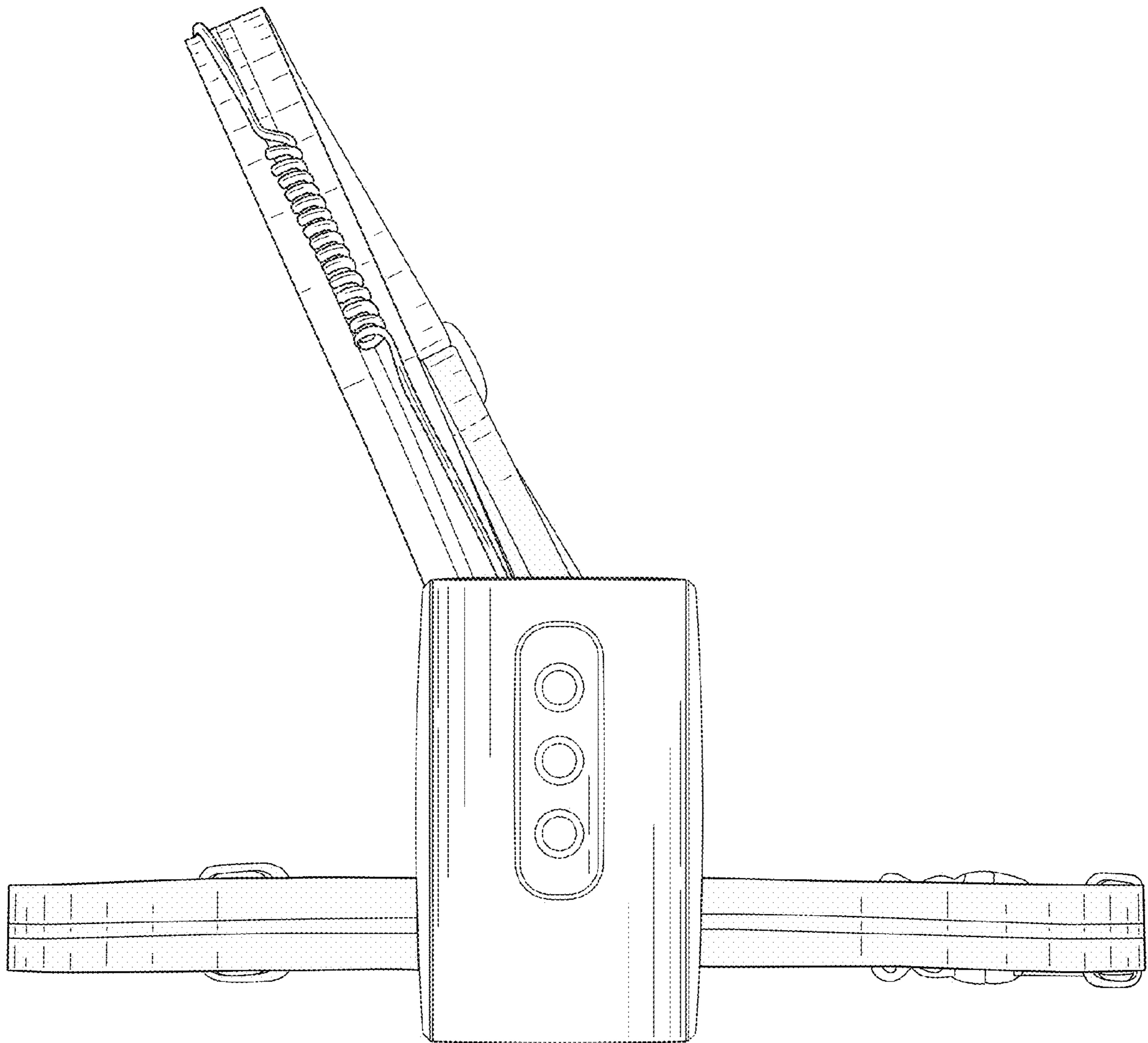


FIG. 4

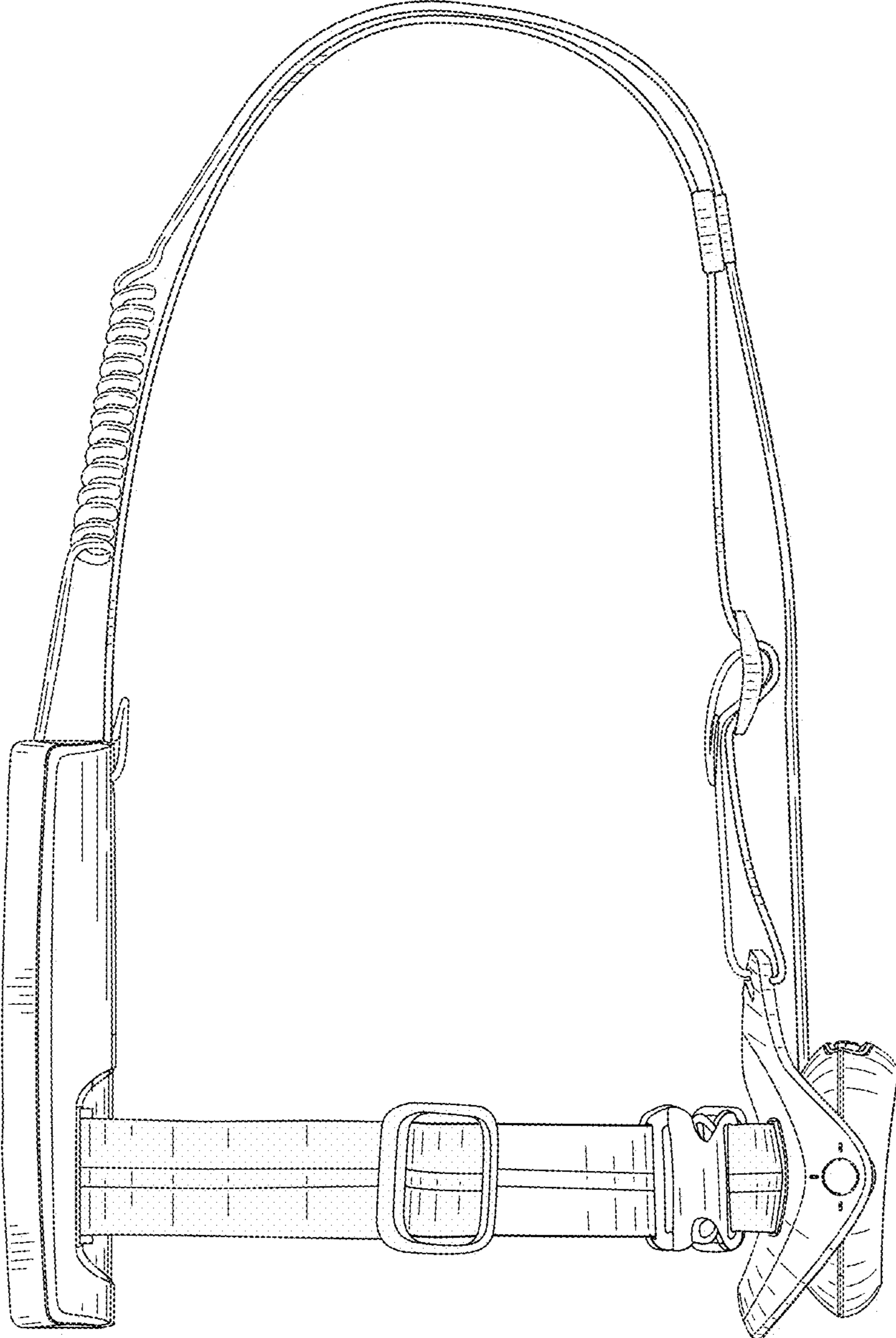


FIG. 5

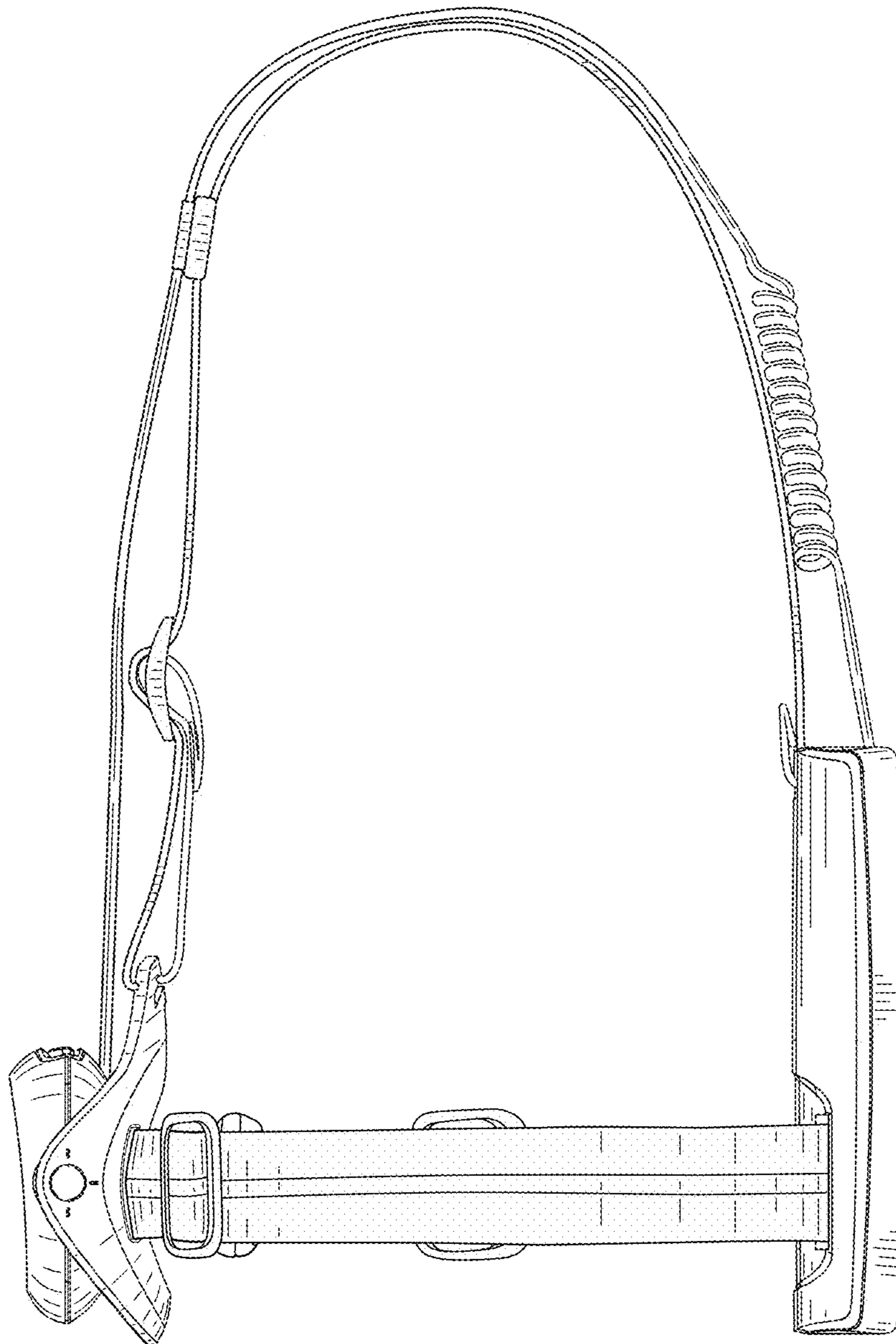


FIG. 6

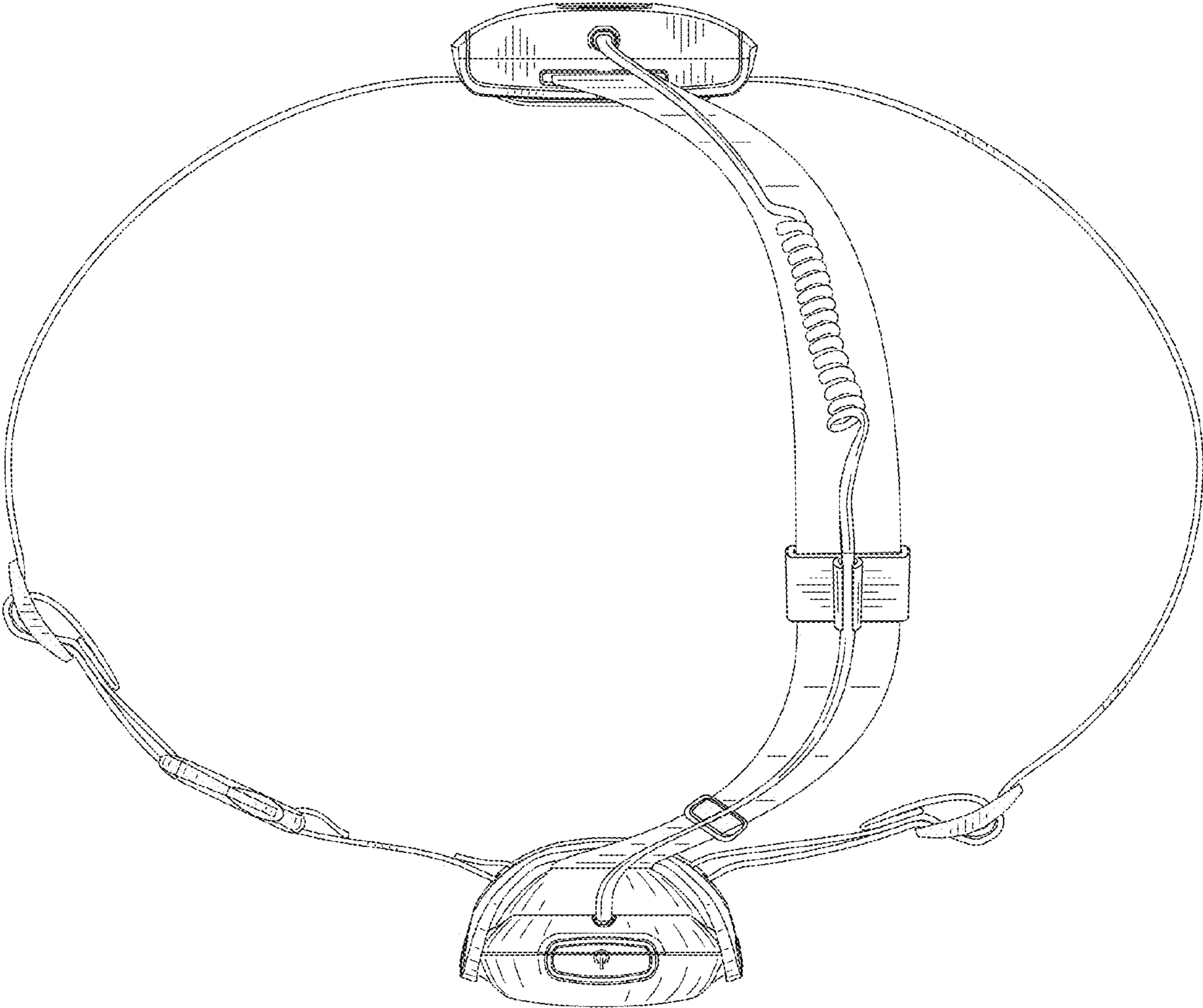


FIG. 7

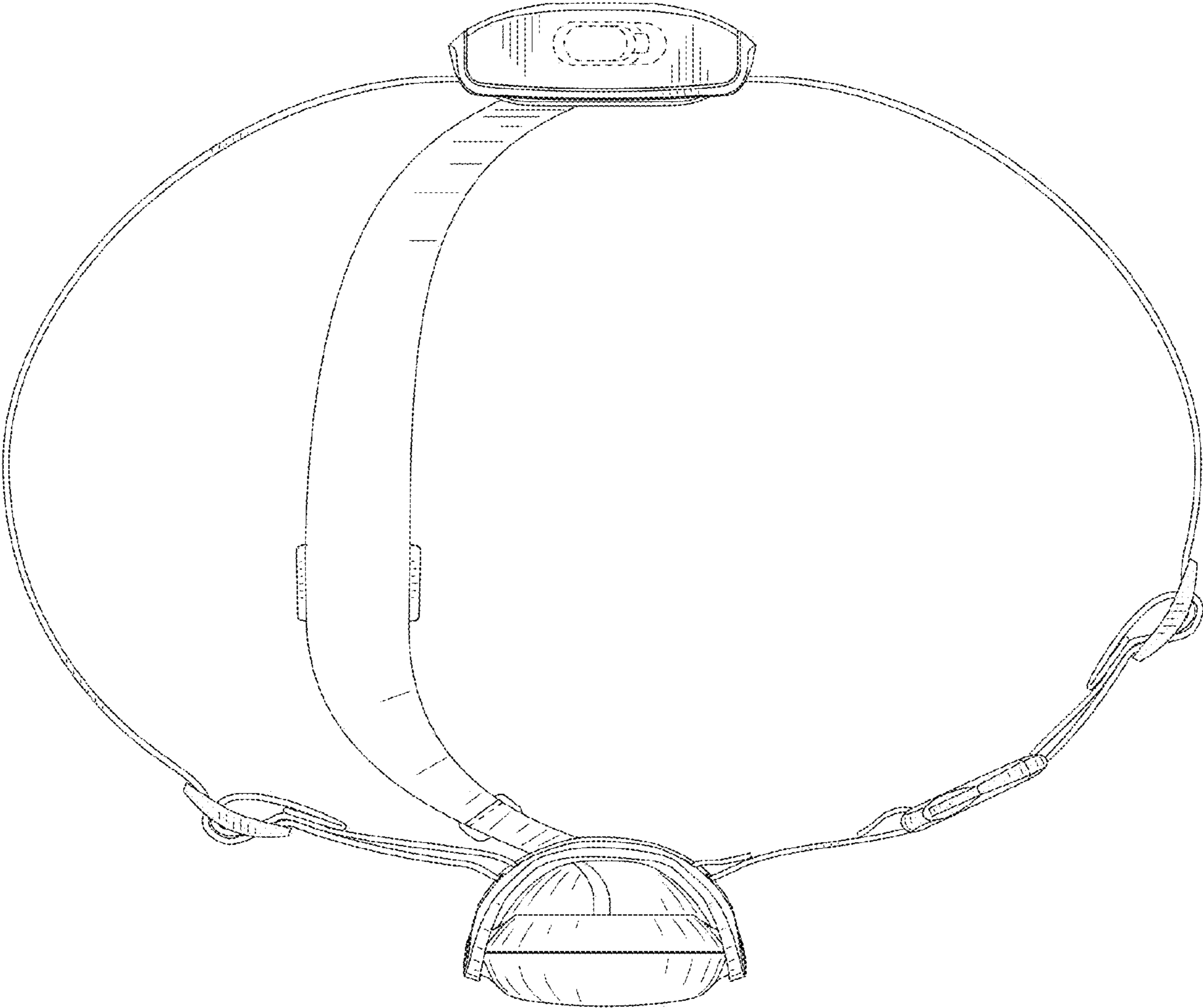


FIG. 8