



US00D888301S

(12) **United States Design Patent** (10) **Patent No.:** **US D888,301 S**
Prieto et al. (45) **Date of Patent:** **** Jun. 23, 2020**

(54) **RECHARGEABLE KEYCHAIN LIGHT**
(71) Applicant: **Alliance Sports Group, L.P.**, Grand Prairie, TX (US)
(72) Inventors: **Jimmy Prieto**, Grand Prairie, TX (US); **Huang Xiaohong**, Ningbo (CN)
(73) Assignee: **Alliance Sports Group, L.P.**, Grand Prairie, TX (US)

D574,527 S * 8/2008 Squires D26/37
D593,238 S * 5/2009 Allen D26/37
D594,148 S * 6/2009 Heselden D26/37
D603,240 S * 11/2009 Kunzendorf D26/38
D616,125 S * 5/2010 Kang D26/37
D639,465 S * 6/2011 Abernethy D26/24
D656,651 S * 3/2012 Gorman D26/47
D725,374 S * 3/2015 Oksanen D3/209
D725,809 S * 3/2015 Ford D26/37
D738,554 S * 9/2015 Dalton D26/38
D750,822 S * 3/2016 Hernandez D26/38
D759,867 S * 6/2016 Grandadam D26/37

(**) Term: **15 Years**

(Continued)

(21) Appl. No.: **29/660,449**

OTHER PUBLICATIONS

(22) Filed: **Aug. 21, 2018**

NEBO Unboxed_MYCRO—400 Lumen Rechargeable LED Flashlight—YouTube, published on Oct. 16, 2018, retrieved on Jan. 29, 2020, retrieved from the Internet URL: <https://www.youtube.com/watch?v=D5uSljpk2AY>.*

(51) **LOC (12) Cl.** **26-02**

(52) **U.S. Cl.**
USPC **D26/38; D3/208**

(58) **Field of Classification Search**
USPC D13/102–110, 118, 119, 184, 199;
D14/356, 432; D26/37, 38; D3/208
CPC Y02E 60/10; Y02E 60/12; Y02E 60/122;
Y02E 60/124; Y02E 60/50; H01M 2/02;
H01M 2/022; H01M 2/0202; H01M
2/0207; H01M 2/0212; H01M 2/1061;
H01M 2/1022; H01M 2/1055; H01M
2/1066; H01M 2/105; H01M 2/20; H01M
2/202; H01M 2/204; H01M 2/206; H01M
10/44; H01M 10/46; H01M 10/465;
H01M 10/482; H01M 2200/30; H01M
2250/30; H01M 2250/40; H02J 7/00;
H02J 7/0003; H02J 7/0011; H02J 7/0013;
H02J 7/0054; H02J 7/0055; H02J 7/0057;
H02J 2007/0062; F21L 4/00; F21L 4/005;
F21L 4/02; F21L 4/025; F21L 4/027;
F21L 4/04; F21L 4/08

Primary Examiner — Jennifer Rivard
Assistant Examiner — Alison M Ofstun
(74) *Attorney, Agent, or Firm* — Thorpe North & Western LLP

See application file for complete search history.

(57) **CLAIM**

The ornamental design for a rechargeable keychain light, as shown and described.

(56) **References Cited**

DESCRIPTION

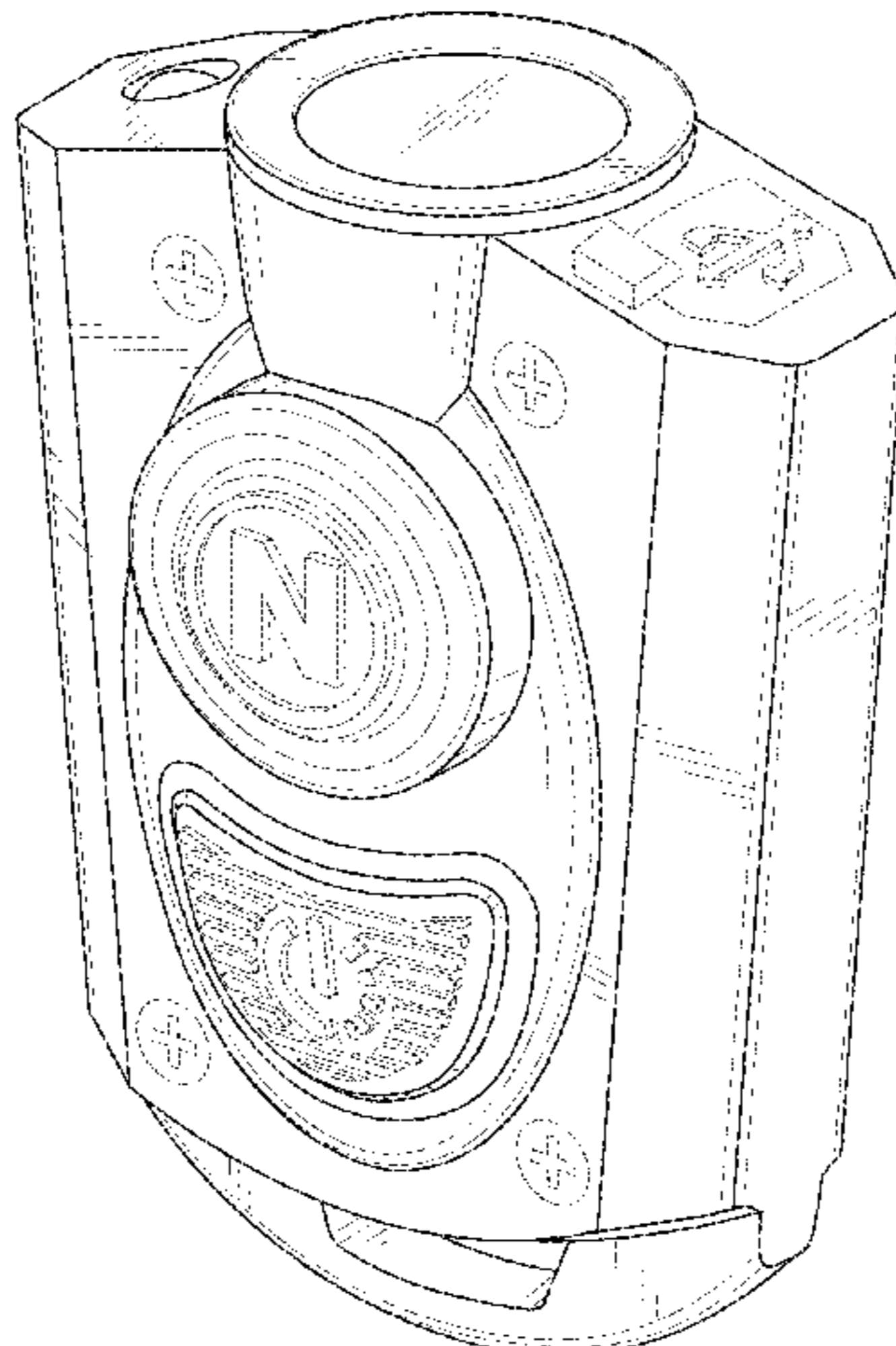
U.S. PATENT DOCUMENTS

D392,201 S * 3/1998 Chen D10/104.1
D565,216 S * 3/2008 Markell D26/37

FIG. 1 is a top perspective view of a rechargeable keychain light, showing our new design;
FIG. 2 is a front view of FIG. 1;
FIG. 3 is a back view of FIG. 1;
FIG. 4 is a side view of FIG. 1;
FIG. 5 is an opposite view of FIG. 4;
FIG. 6 is a top view of FIG. 1; and,
FIG. 7 is a bottom view of FIG. 1.

In the drawings, the broken lines represent portions of the article which form no part of the claimed design.

1 Claim, 5 Drawing Sheets



(56)

References Cited

U.S. PATENT DOCUMENTS

D806,294 S *	12/2017	Nguyen	D26/37
D814,675 S *	4/2018	Sharrah	D26/38
D846,780 S *	4/2019	Reiser	D26/37
D850,680 S *	6/2019	Case	D26/37
D851,586 S *	6/2019	Liu	D13/108
D861,938 S *	10/2019	Liu	D26/38
2015/0054336 A1 *	2/2015	Xinfang	H02J 7/0047 307/9.1

* cited by examiner

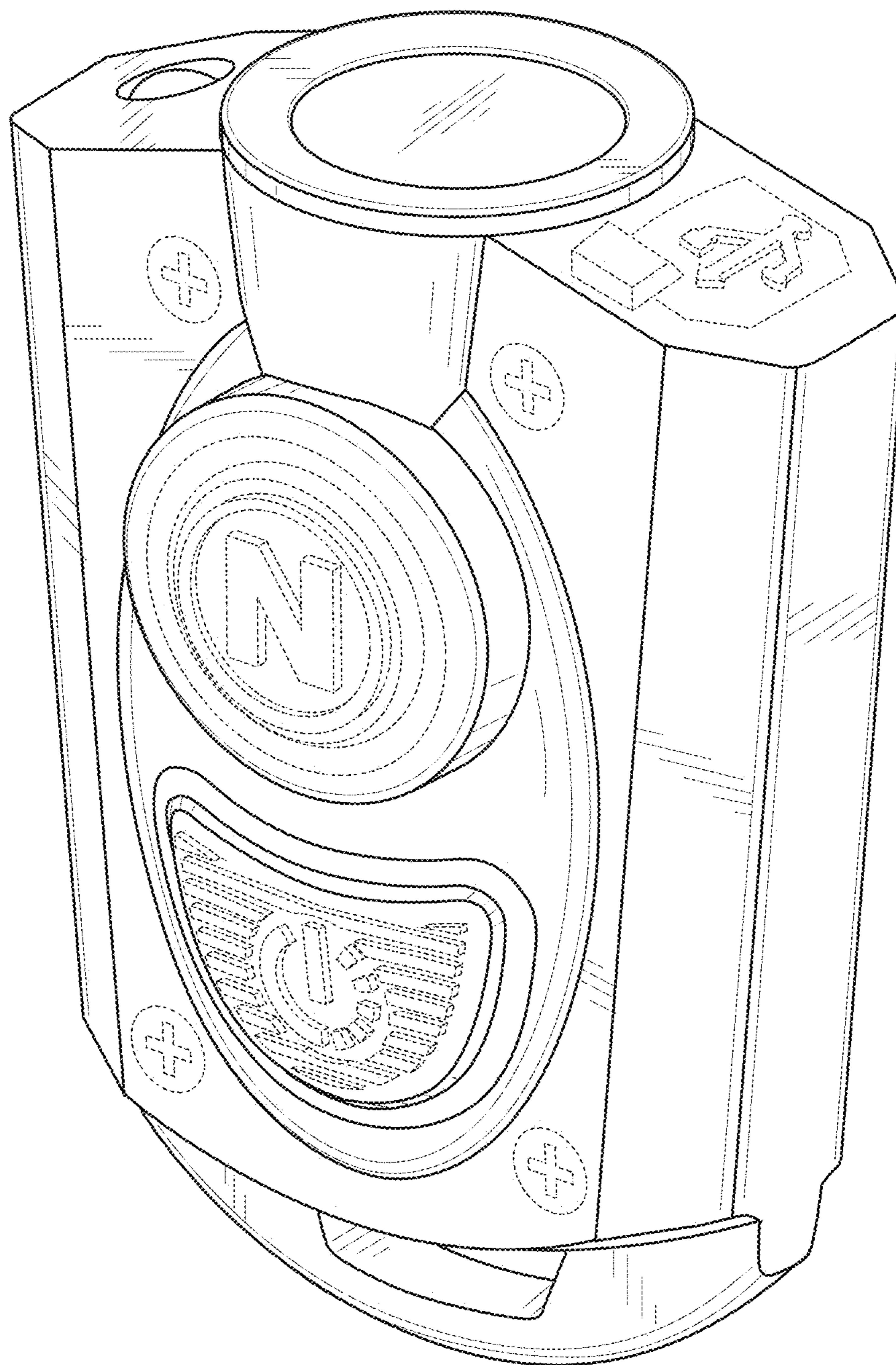


FIG. 1

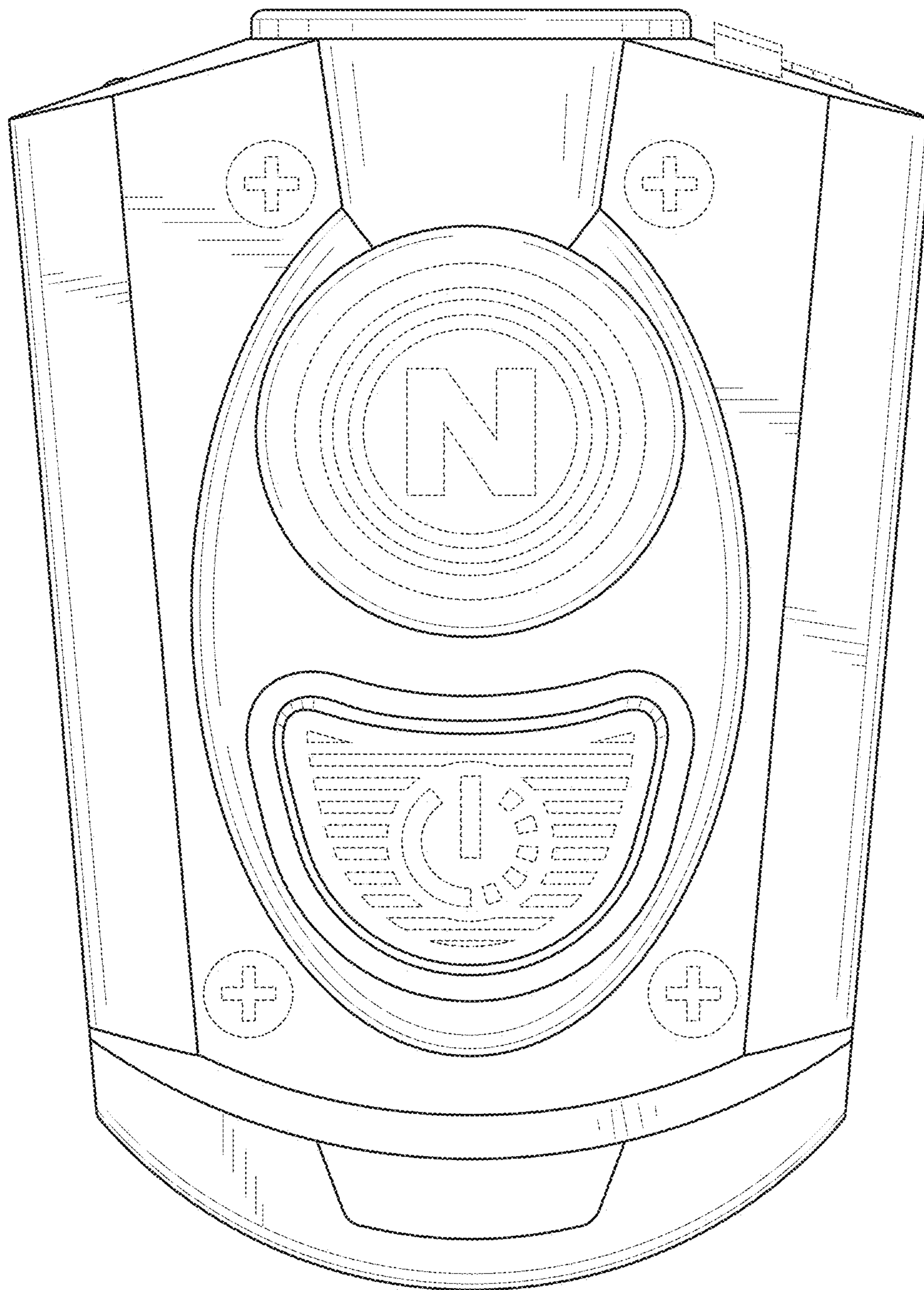


FIG. 2

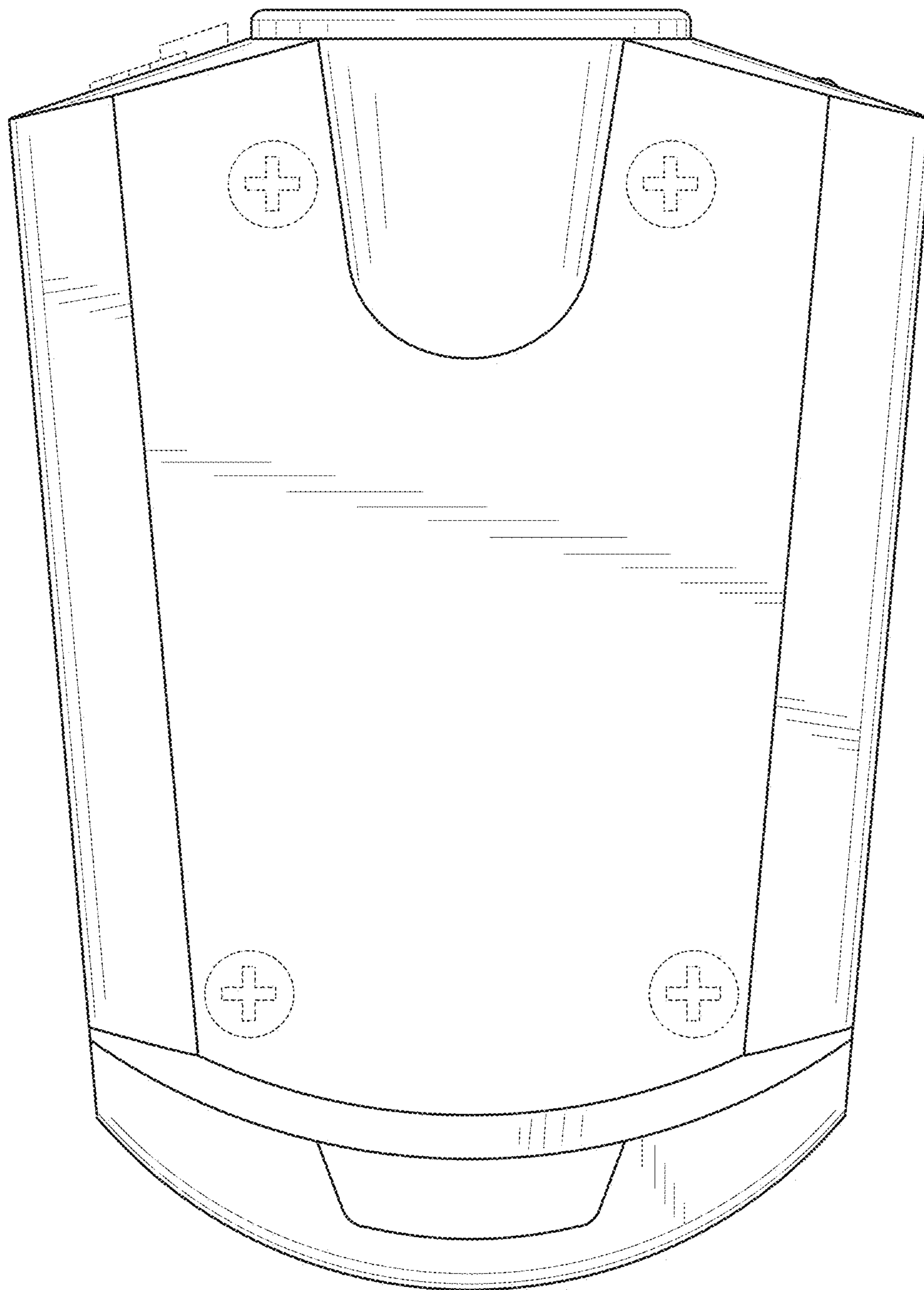


FIG. 3

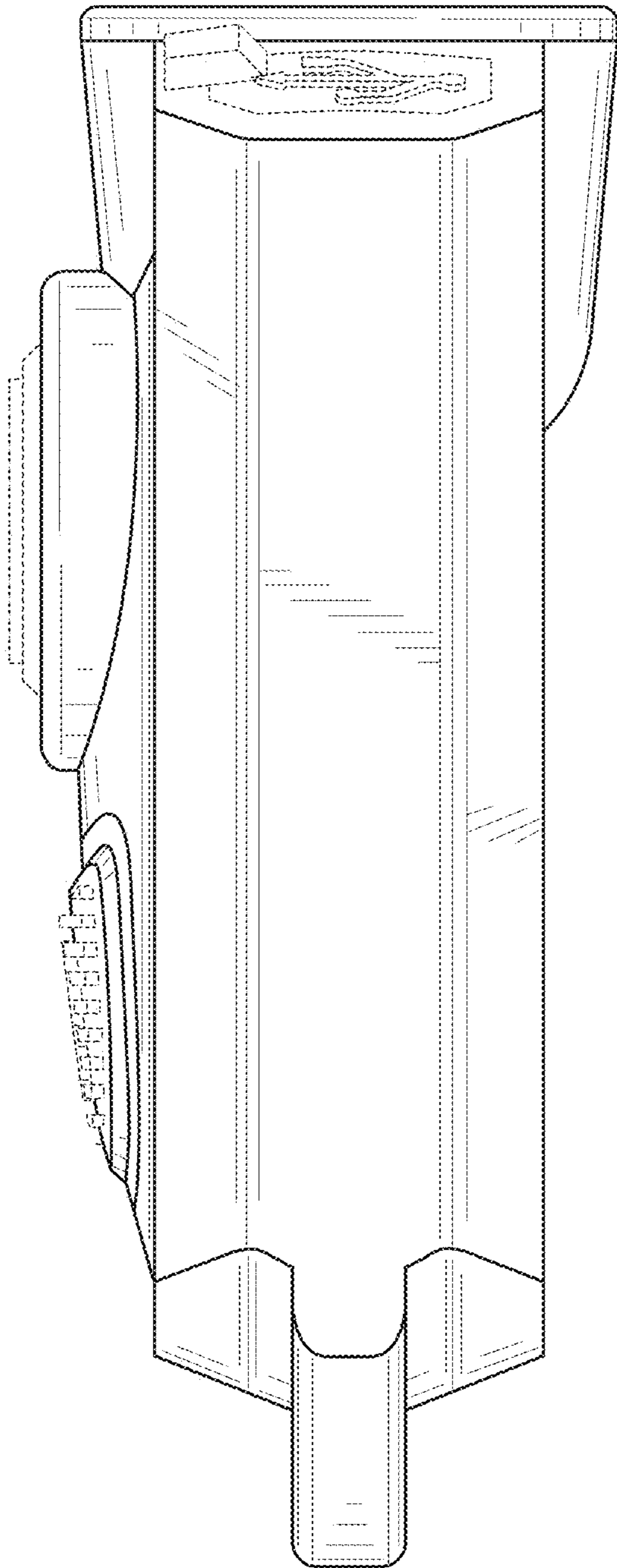


FIG. 4

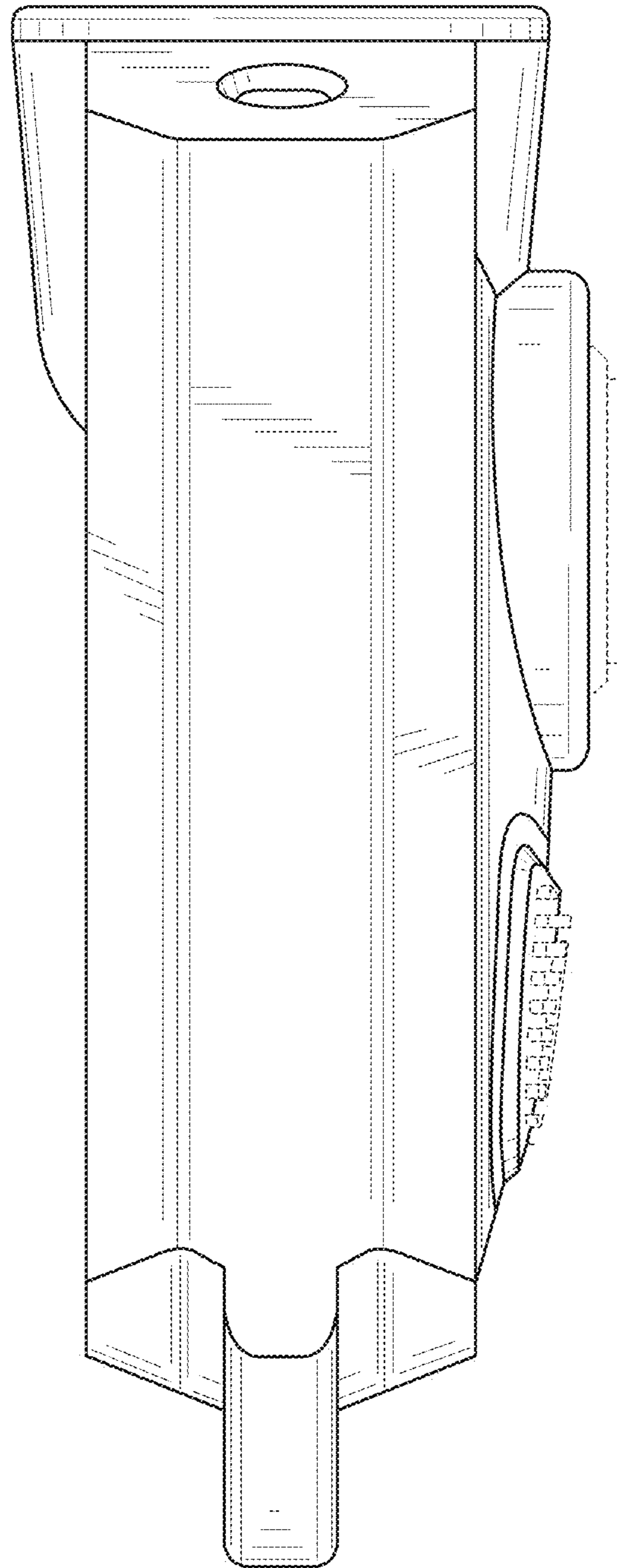


FIG. 5

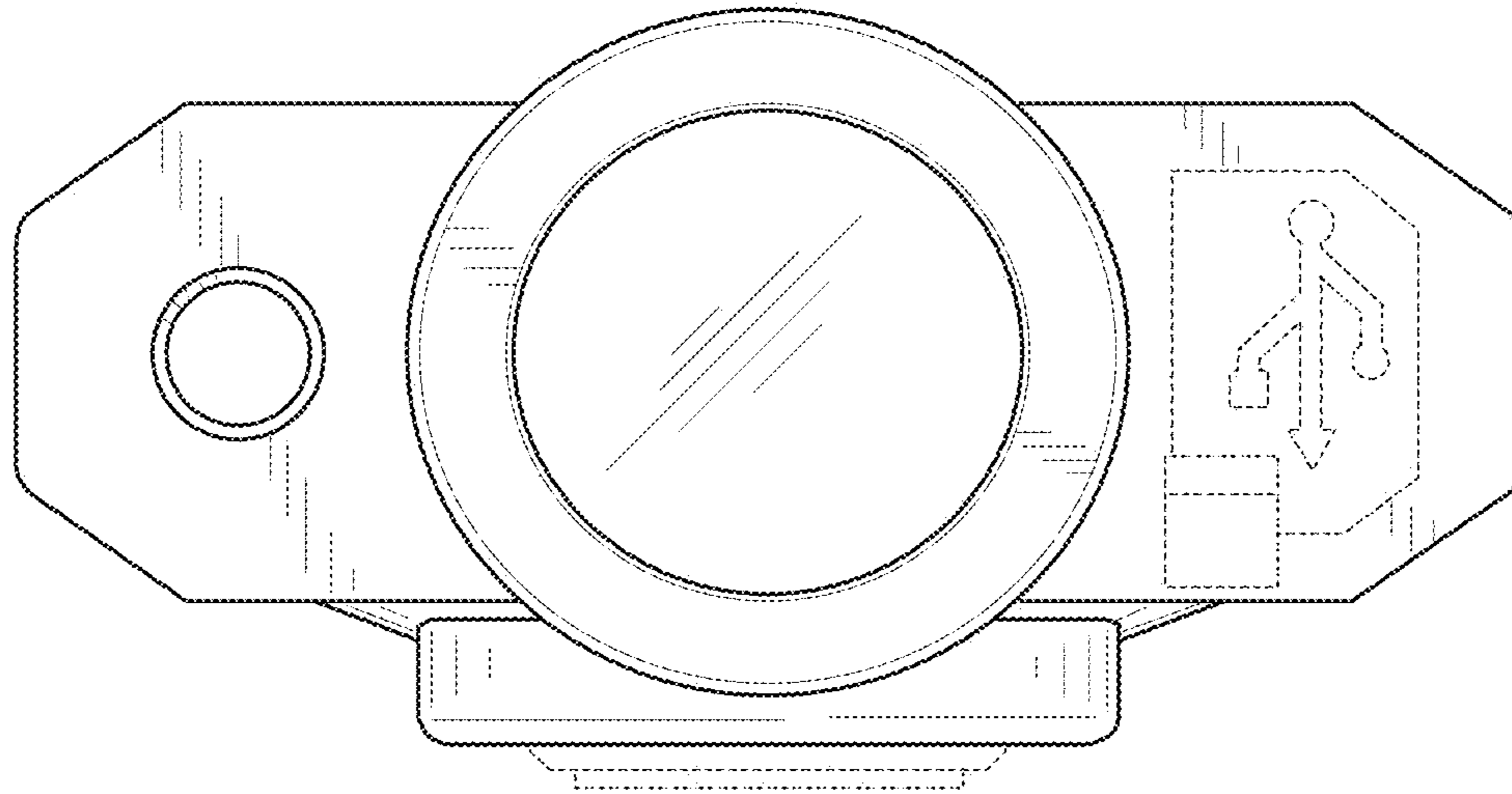


FIG. 6

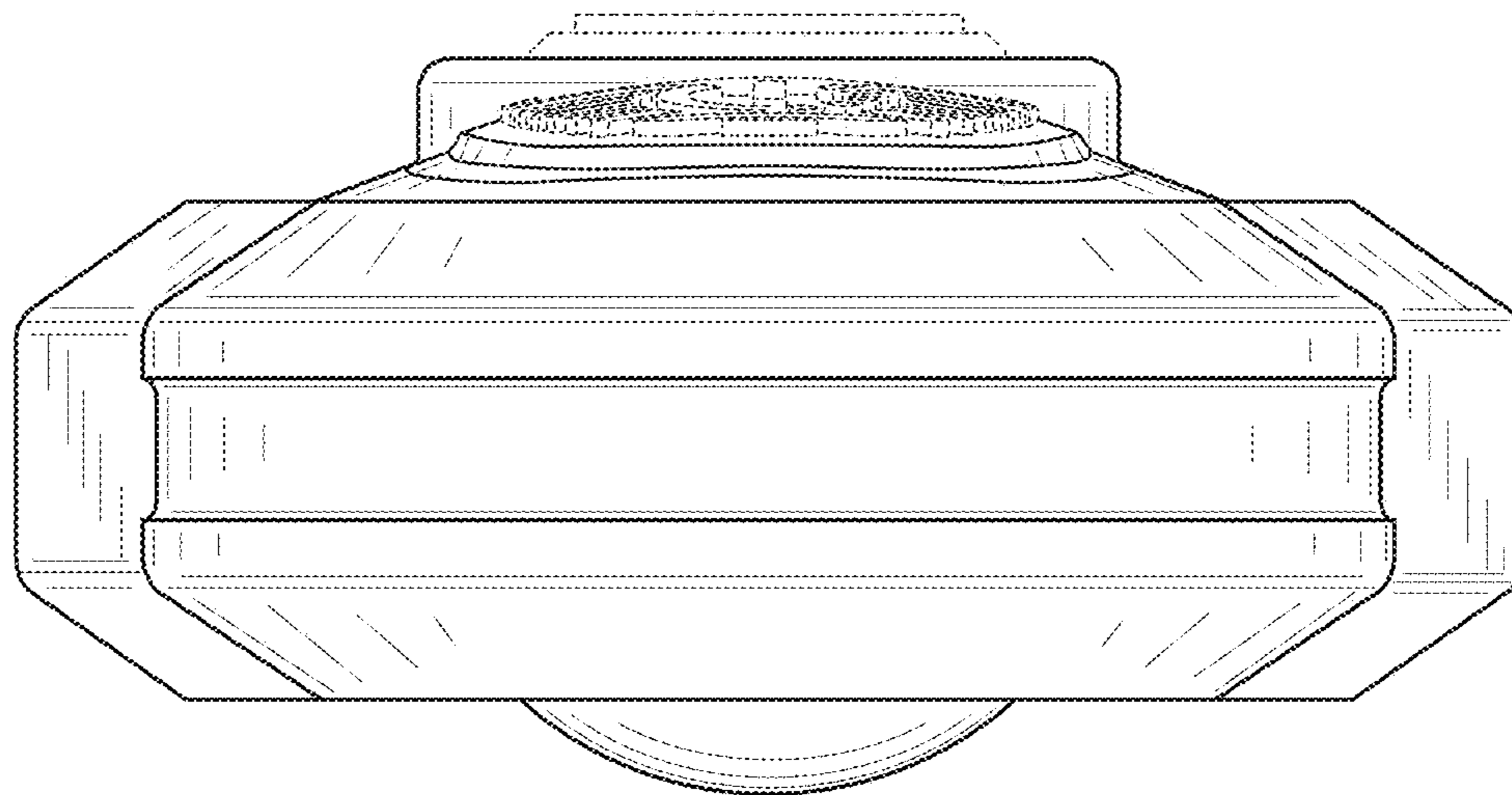


FIG. 7