



US00D888300S

(12) **United States Design Patent**
Smith

(10) **Patent No.:** **US D888,300 S**
(45) **Date of Patent:** **** Jun. 23, 2020**

(54) **LIGHT FOR A FISHING JUG**
(71) Applicant: **Larry H. Smith**, Lawton, OK (US)
(72) Inventor: **Larry H. Smith**, Lawton, OK (US)
(**) Term: **15 Years**

5,758,449 A 6/1998 Munsterman et al.
D448,505 S * 9/2001 Dalton D26/37
D607,134 S * 12/2009 Levine D26/61
D634,456 S * 3/2011 Jones D26/24
8,635,803 B1 1/2014 Cartwright
2014/0150328 A1 6/2014 Harrell
2017/0055510 A1 3/2017 Harrell

(21) Appl. No.: **29/669,477**
(22) Filed: **Nov. 8, 2018**
(51) **LOC (12) Cl.** **26-02**
(52) **U.S. Cl.**
USPC **D26/37**
(58) **Field of Classification Search**
USPC D26/1, 24, 25, 43, 60, 110, 113, 28, 37,
D26/61, 85, 102, 138-140; 362/249.14,
362/311.02, 311.13
CPC F21S 4/00; F21S 4/10; F21S 4/15; F21S
4/26; F21S 2/00; F21V 11/02; F21V
11/06; F21V 17/10; F21V 17/16; F21V
21/0296; F21V 21/0054; F21V 21/008;
F21V 21/00; F21V 21/08; F21W 2121/00;
F21W 2121/04; F21Y 2115/10; F21L
4/00; F21L 4/02; F21L 4/04; F21L 4/08;
F21L 4/005; F21L 4/025; F21L 4/027;
F21L 2003/00; F21L 2005/00; F21L
13/04; F21L 13/08; F21L 14/00; F21L
14/02; F21L 17/00; F21L 19/00
See application file for complete search history.

OTHER PUBLICATIONS

“KatKandle” Fishing Jug with Light, Retrieved from the Internet:
<http://www.katkandle.com> , Sep. 5, 2018.

* cited by examiner

Primary Examiner — Abraham Bahta
(74) *Attorney, Agent, or Firm* — Dunlap Codding, P.C.

(57) **CLAIM**

The ornamental design for a light for a fishing jug, as shown and described.

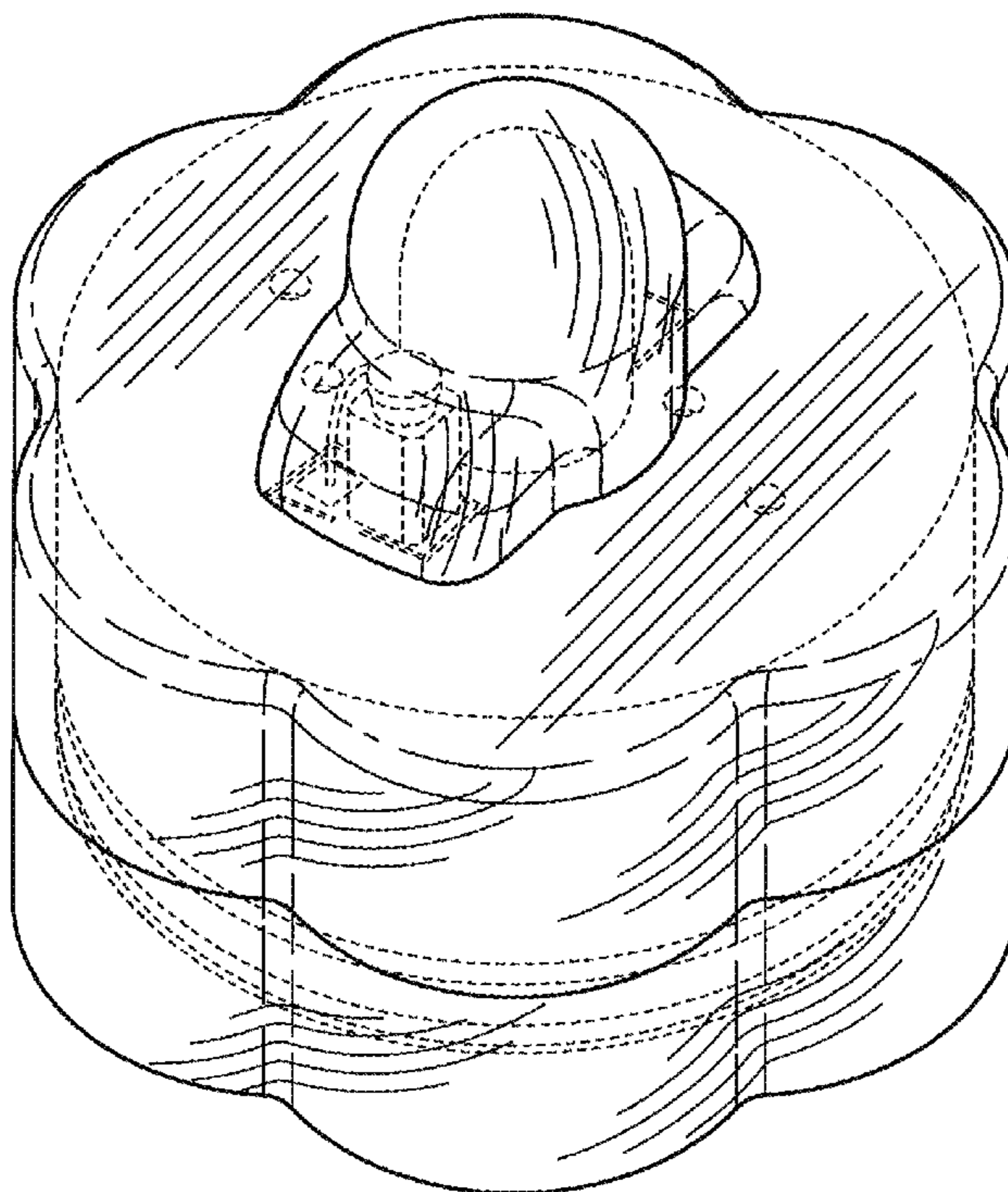
DESCRIPTION

FIG. 1 is a perspective view of light for a fishing jug showing my new design.
FIG. 2 is a front elevational view thereof.
FIG. 3 is a rear elevational view thereof.
FIG. 4 is a right side elevational view thereof.
FIG. 5 is a left side elevational view thereof.
FIG. 6 is a top plan view thereof; and,
FIG. 7 is a bottom plan view thereof.
The broken lines in the drawings depict portions of the light that form no part of the claimed design.

(56) **References Cited**
U.S. PATENT DOCUMENTS

2,517,479 A 12/1947 Grimm et al.
D366,721 S * 1/1996 Borden D26/110

1 Claim, 5 Drawing Sheets



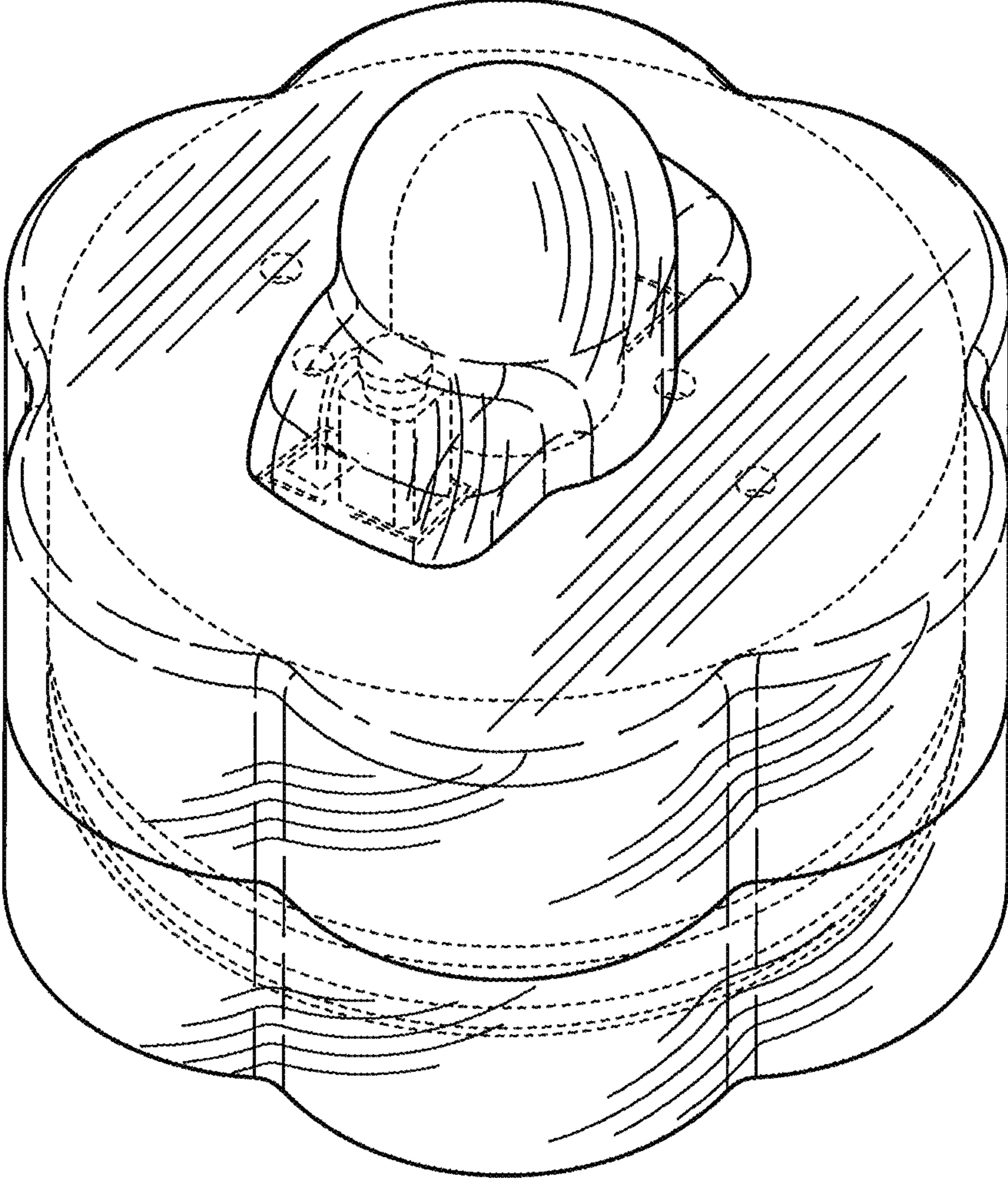


FIG. 1

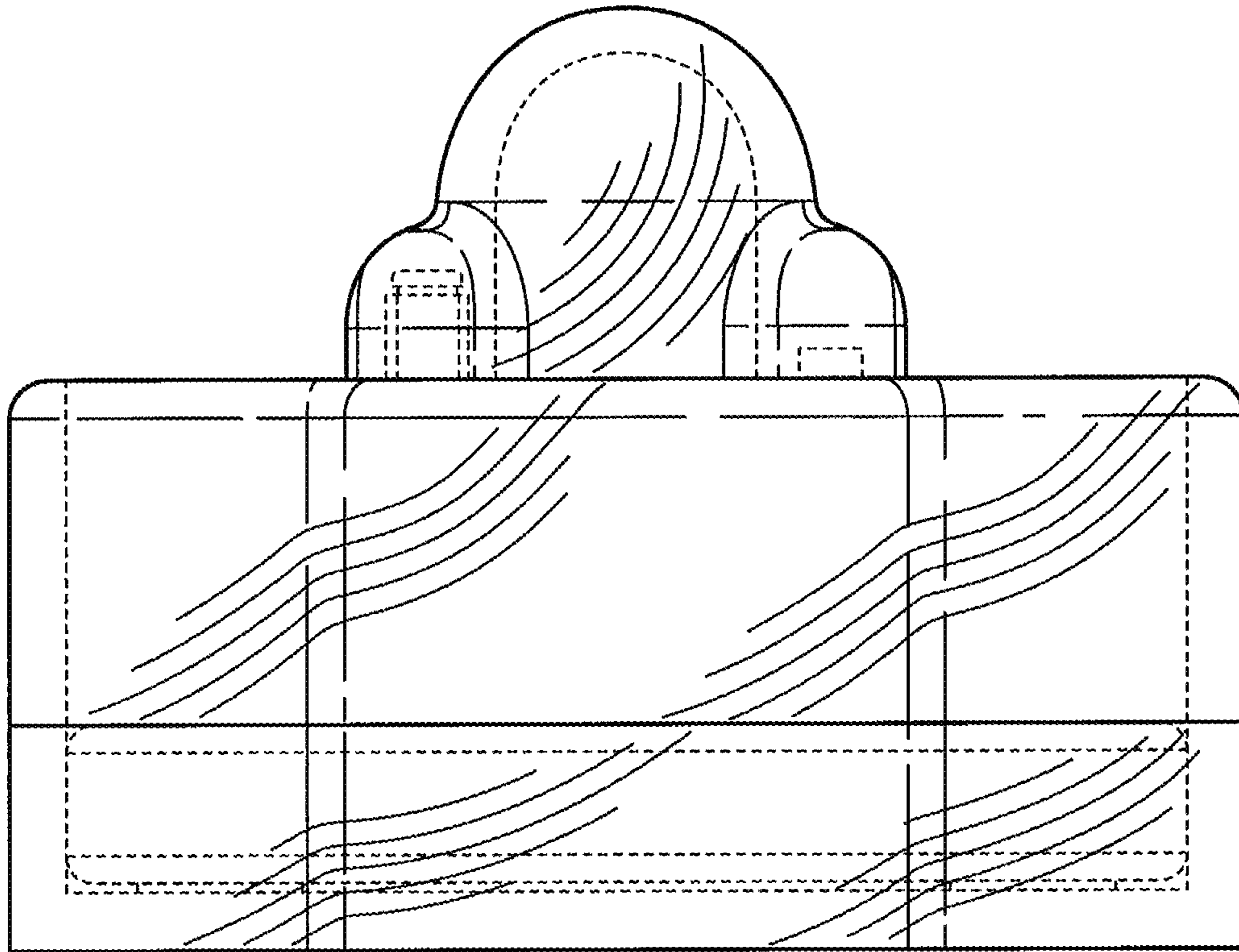


FIG. 2

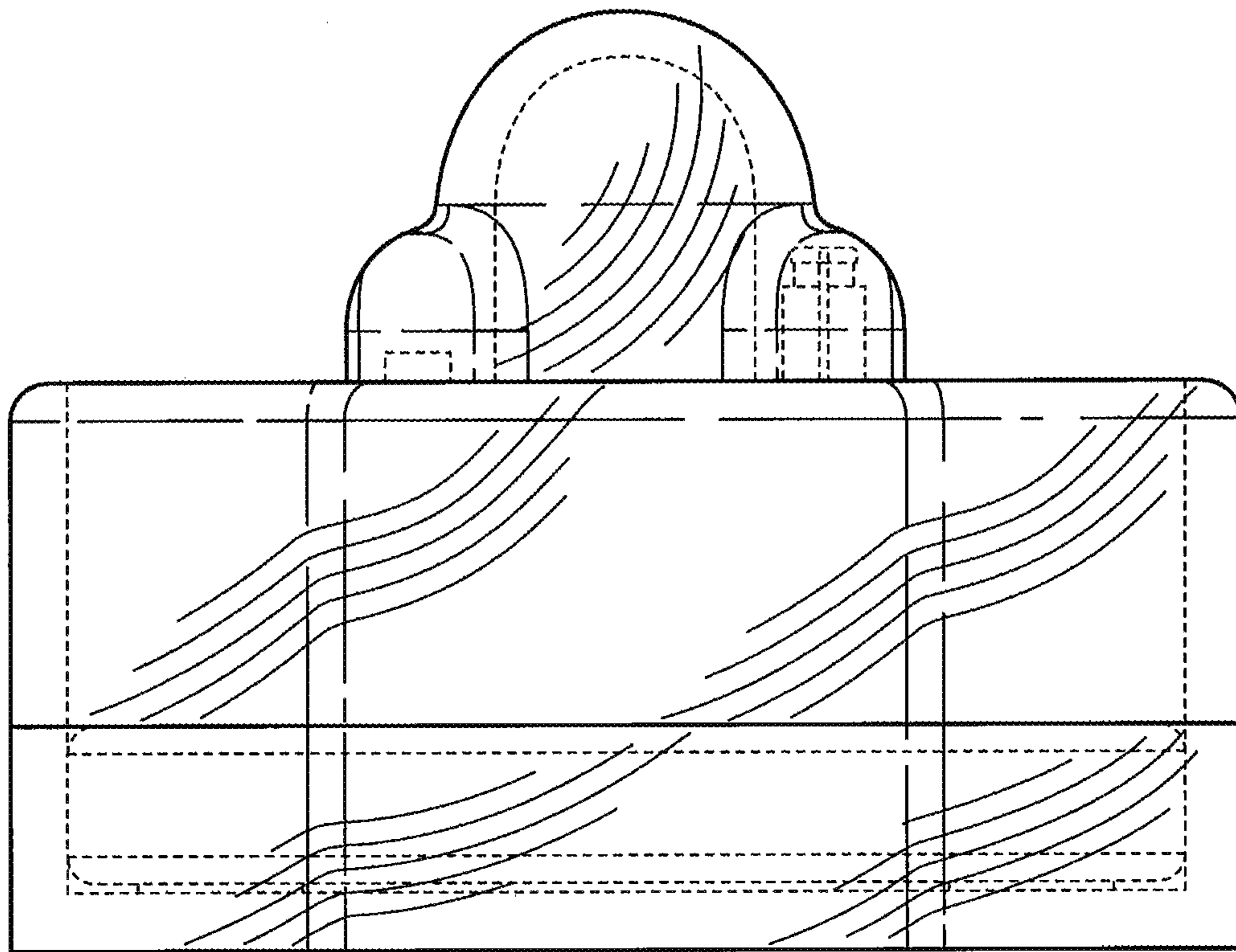


FIG. 3

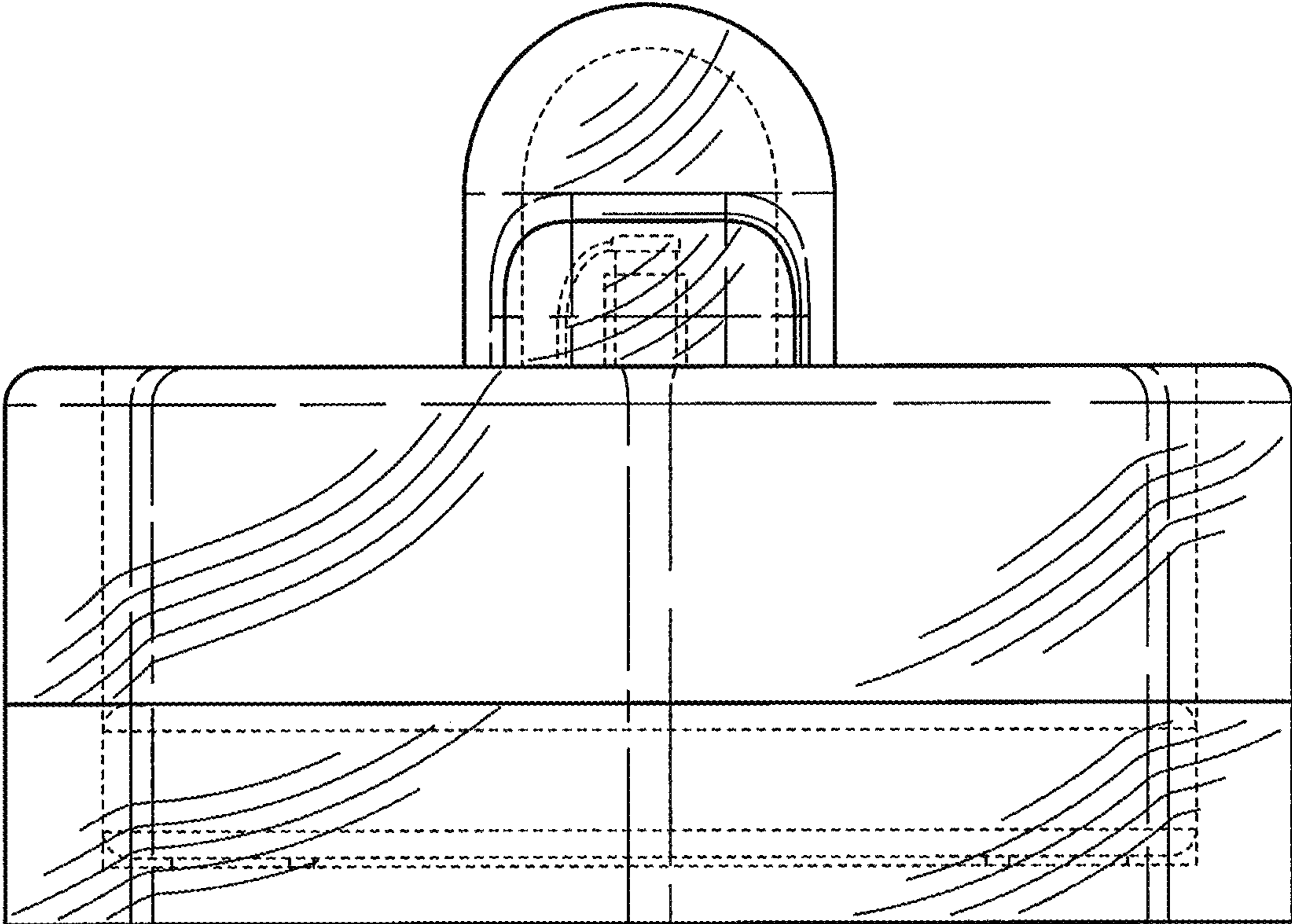


FIG. 4

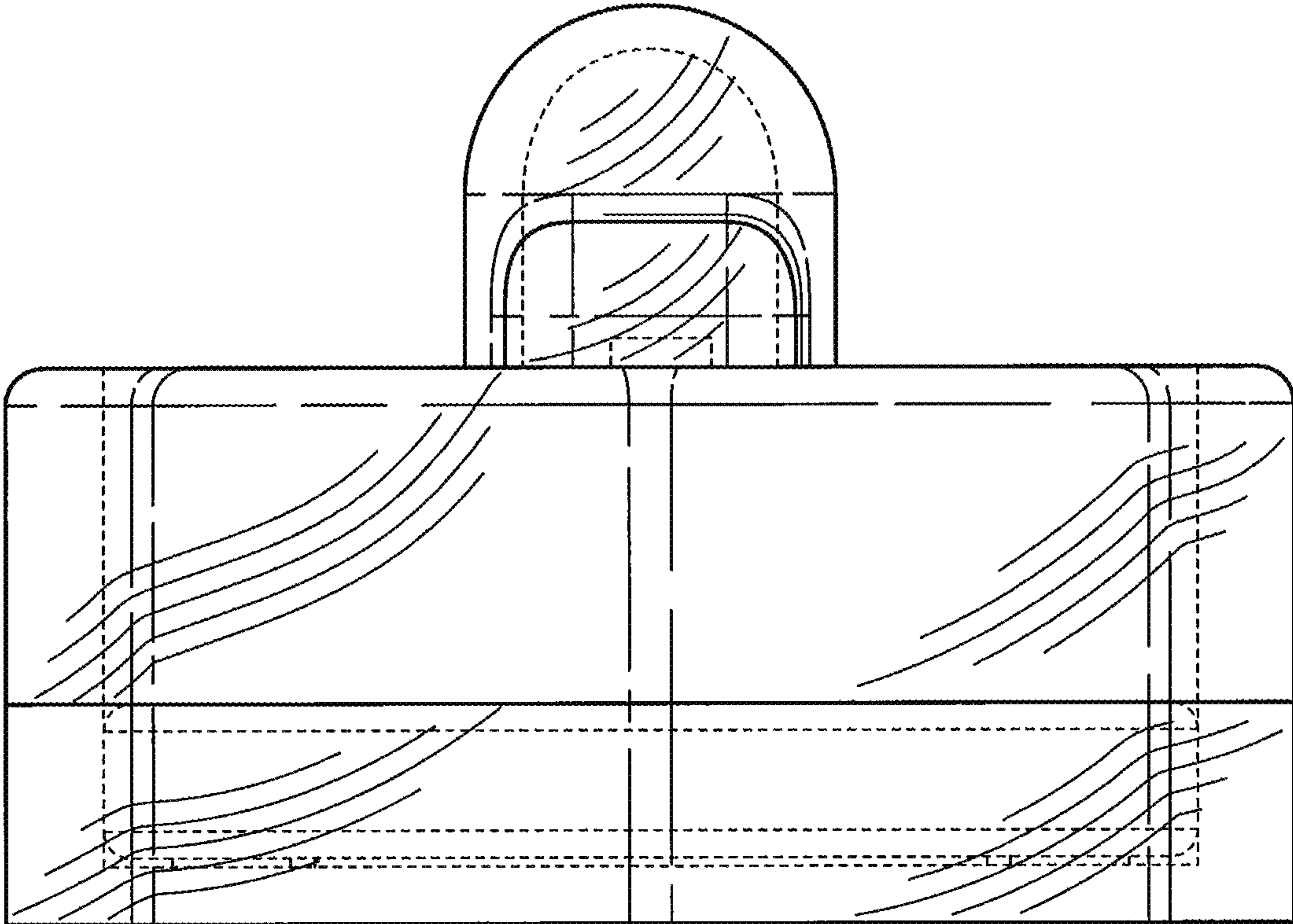


FIG. 5

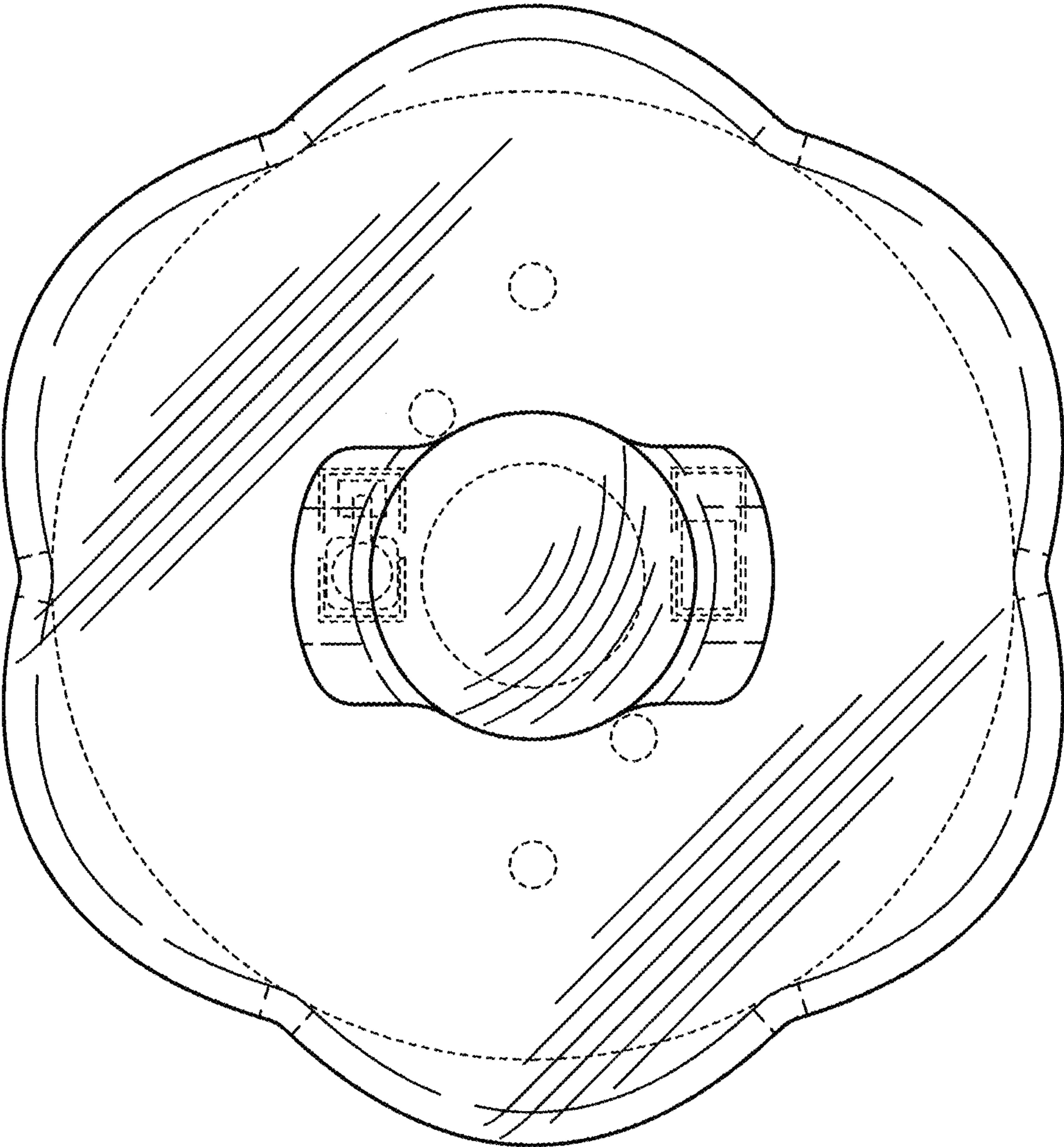


FIG. 6

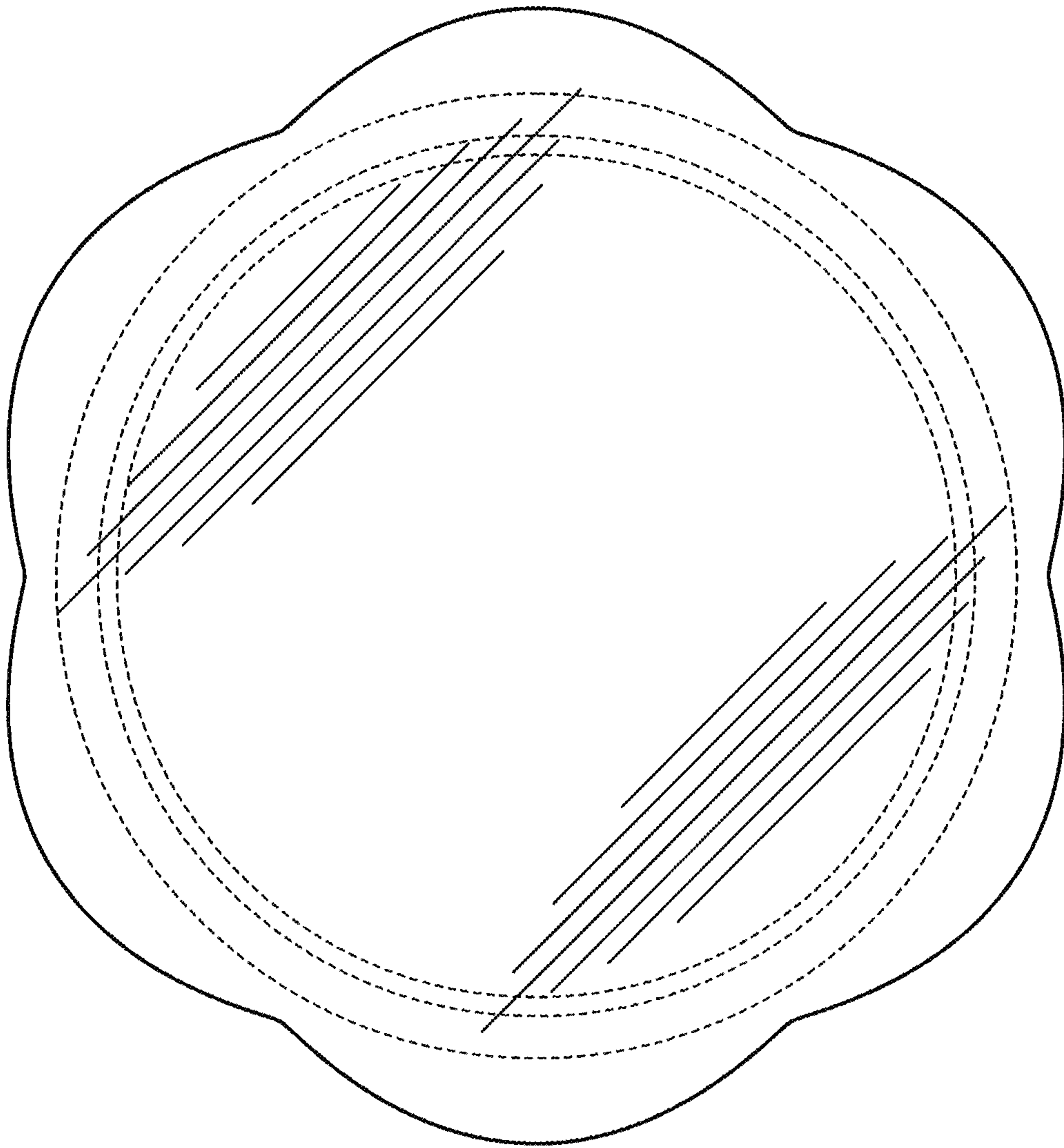


FIG. 7