



US00D888299S

(12) **United States Design Patent**
Grabowski

(10) **Patent No.:** **US D888,299 S**
(45) **Date of Patent:** **** Jun. 23, 2020**

- (54) **WINDSHIELD LAMP**
- (71) Applicant: **Automotive Lighting LLC**, Auburn Hills, MI (US)
- (72) Inventor: **William A. Grabowski**, Northville, MI (US)
- (73) Assignee: **Automotive Lighting LLC**, Auburn Hills, MI (US)

- D765,290 S 8/2016 Adams et al.
- D782,711 S 3/2017 Dunshee et al.
- D793,592 S 8/2017 Chen et al.
- D798,475 S 9/2017 Georgitsis et al.
- D827,887 S 9/2018 Pan
- D828,591 S 9/2018 Wu
- D828,593 S 9/2018 Pan
- D833,655 S 11/2018 Ko
- D839,458 S 1/2019 Ting et al.
- D843,620 S 3/2019 LaMarche et al.
- D850,672 S 6/2019 McGinley
- D854,204 S 7/2019 Ting et al.

(**) Term: **15 Years**

(21) Appl. No.: **29/669,385**

(22) Filed: **Nov. 7, 2018**

(51) **LOC (12) Cl.** **26-06**

(52) **U.S. Cl.**
USPC **D26/31**

(58) **Field of Classification Search**
USPC D26/28-36, 139
CPC F21S 48/00; F21S 48/10; F21S 48/115;
F21S 48/225; F21S 48/1233; F21S
48/1266; F21S 48/1388; F21S 48/2268;
F21V 21/04; B60Q 9/13; B60Q 9/135;
B60Q 9/1375; B60Q 1/0483
See application file for complete search history.

(56) **References Cited**

U.S. PATENT DOCUMENTS

- D499,198 S * 11/2004 Cowan D26/31
- D526,430 S * 8/2006 Hernandez D26/31
- D574,978 S 8/2008 Hyodo et al.
- D576,754 S * 9/2008 Wang D26/31
- D653,783 S * 2/2012 Biro D26/31
- D656,258 S * 3/2012 Georgitsis B60Q 1/0483
D26/31
- D676,990 S * 2/2013 Adams D26/31
- D677,813 S 3/2013 Hanaoka
- D711,024 S 8/2014 Kuwano
- D736,971 S 8/2015 Duff et al.
- D759,285 S 6/2016 Mitchell et al.

(Continued)

Primary Examiner — Marcus A Jackson

(74) *Attorney, Agent, or Firm* — Howard & Howard Attorneys PLLC

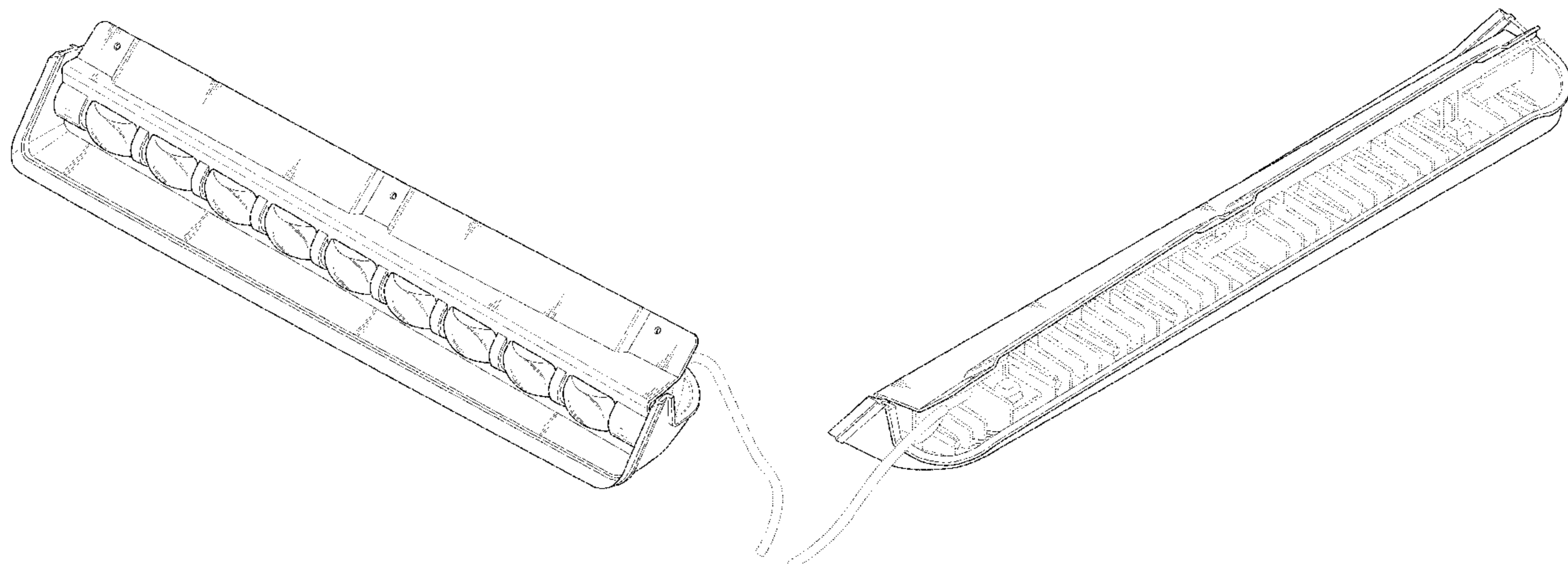
(57) **CLAIM**

The ornamental design for a windshield lamp, as shown and described.

DESCRIPTION

FIG. 1 is a front perspective view of the windshield lamp design of the present invention;
 FIG. 2 is a rear perspective view of the windshield lamp design of the present invention;
 FIG. 3 is a front view of the windshield lamp design of the present invention;
 FIG. 4 is a top view of the windshield lamp design of the present invention;
 FIG. 5 is a bottom view of the windshield lamp design of the present invention;
 FIG. 6 is a side view of the windshield lamp design of the present invention; and,
 FIG. 7 is an opposite side view of the windshield lamp design of the present invention.
 The broken line showing of the wire in FIG. 1 is included for the purpose of illustrating only and forms no part of the claimed design.

1 Claim, 4 Drawing Sheets



(56)

References Cited

U.S. PATENT DOCUMENTS

D855,844 S	8/2019	Peng
D857,258 S	8/2019	Lin
D857,263 S	8/2019	Goodrich et al.
D857,264 S	8/2019	Goodrich et al.

* cited by examiner

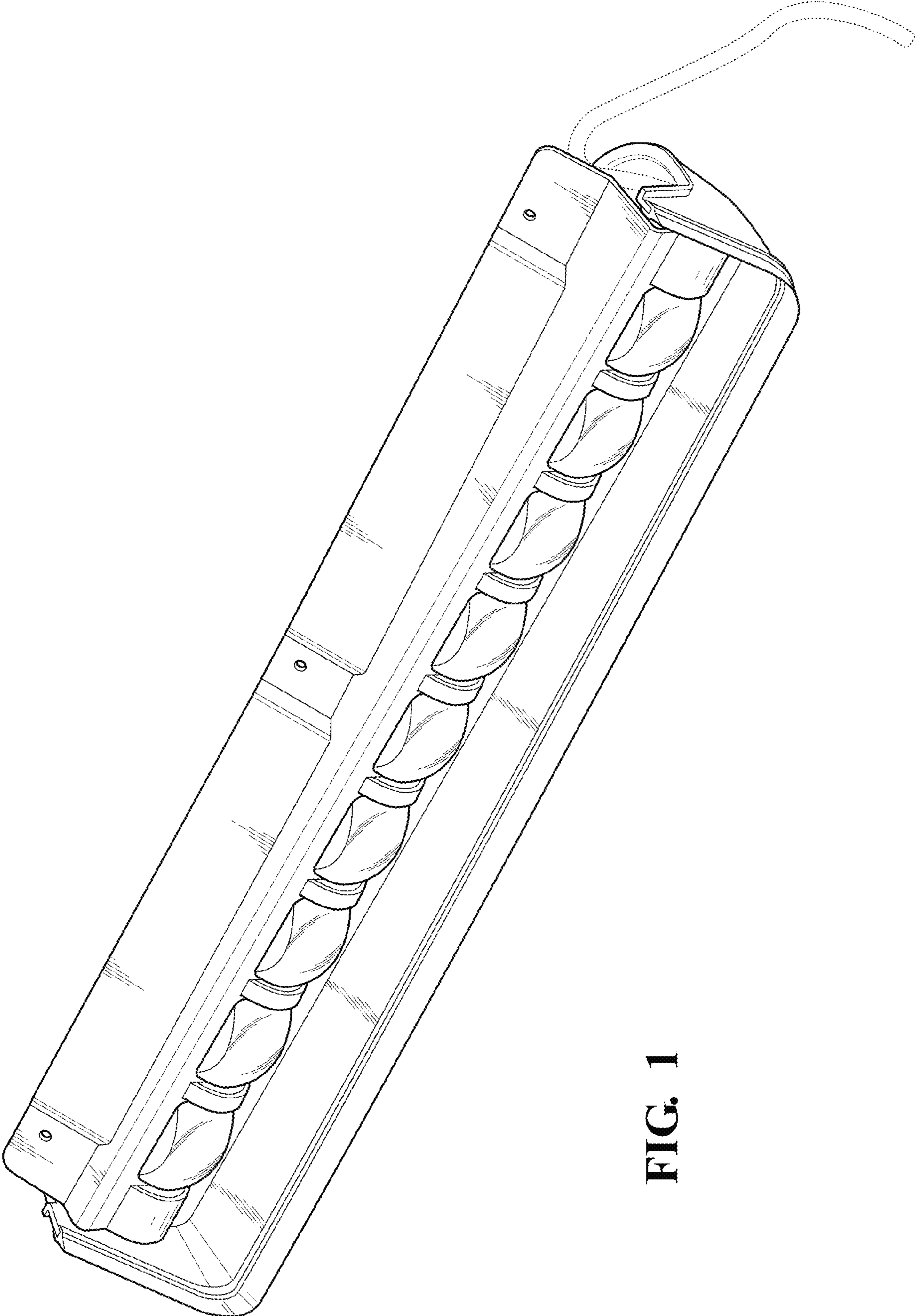


FIG. 1

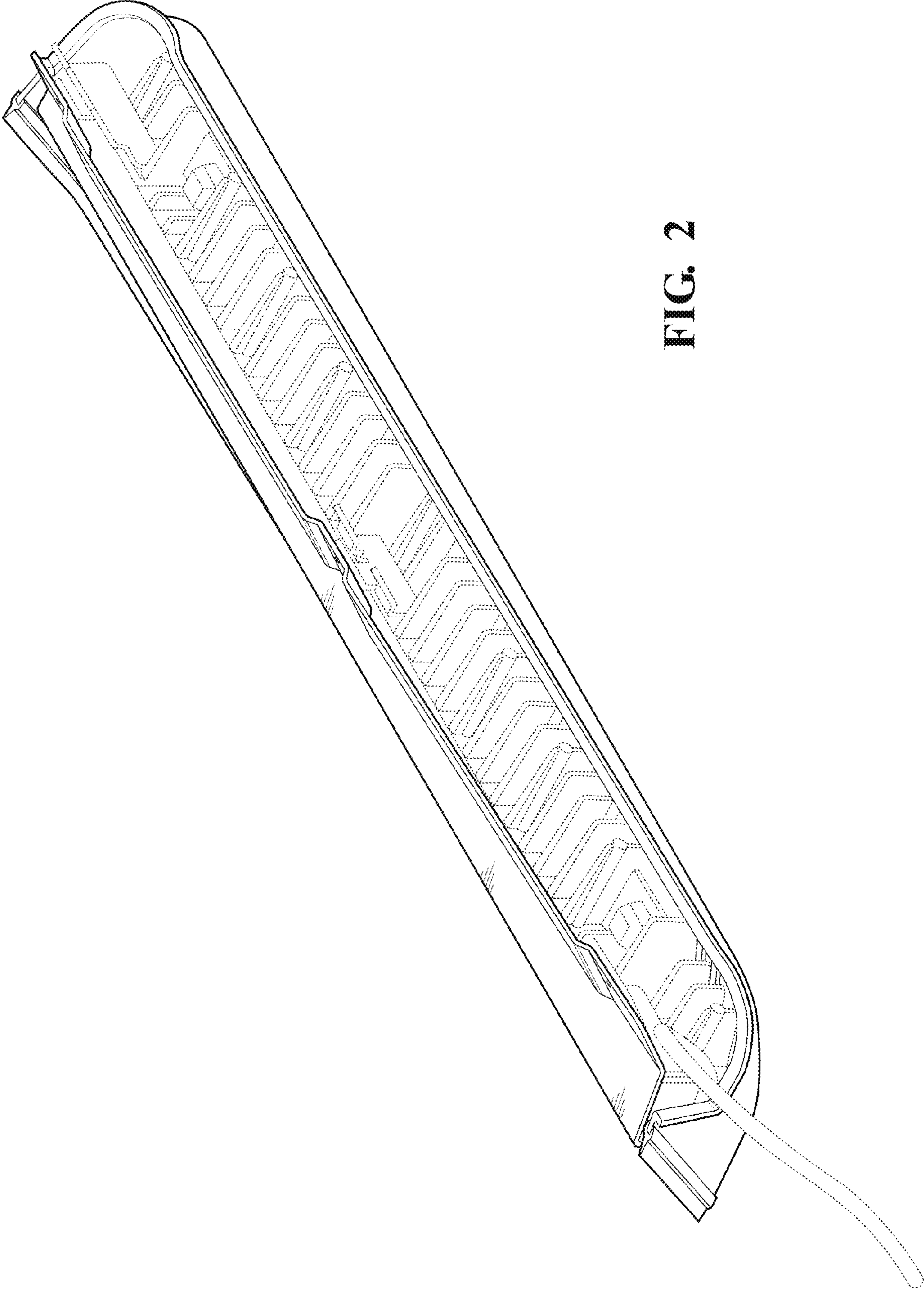


FIG. 2

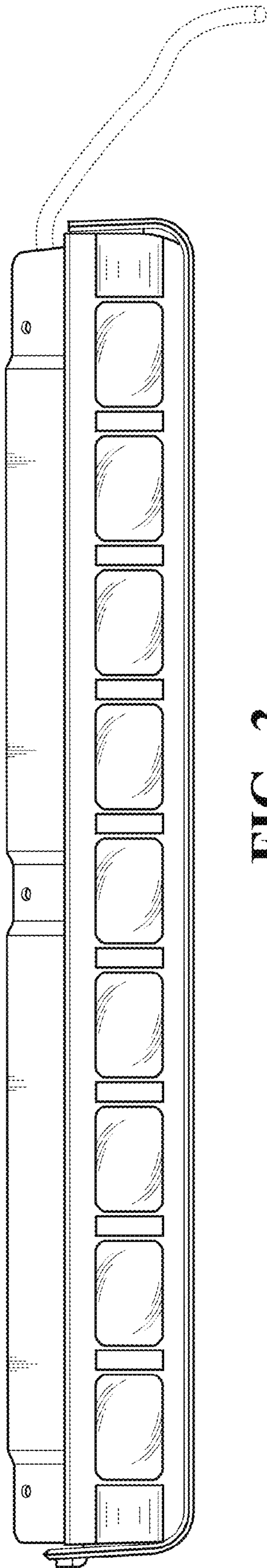


FIG. 3

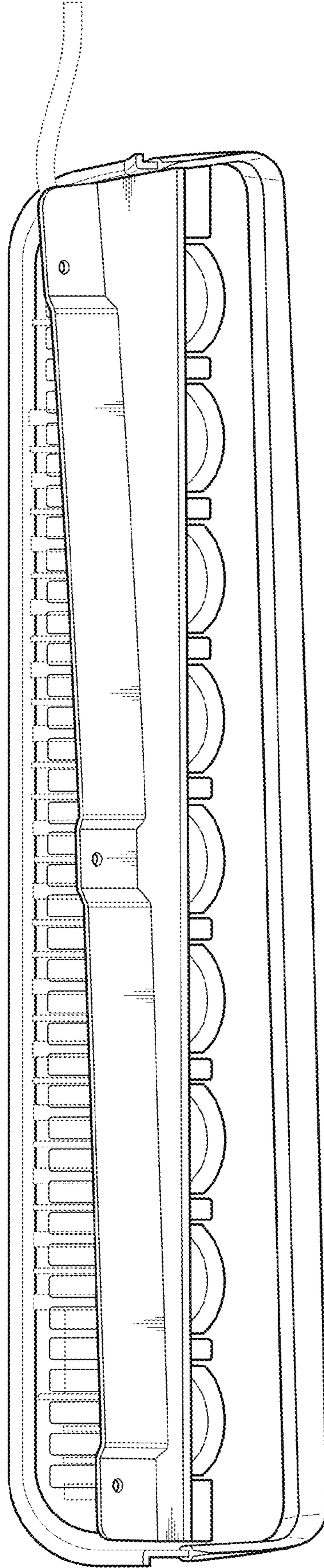


FIG. 4

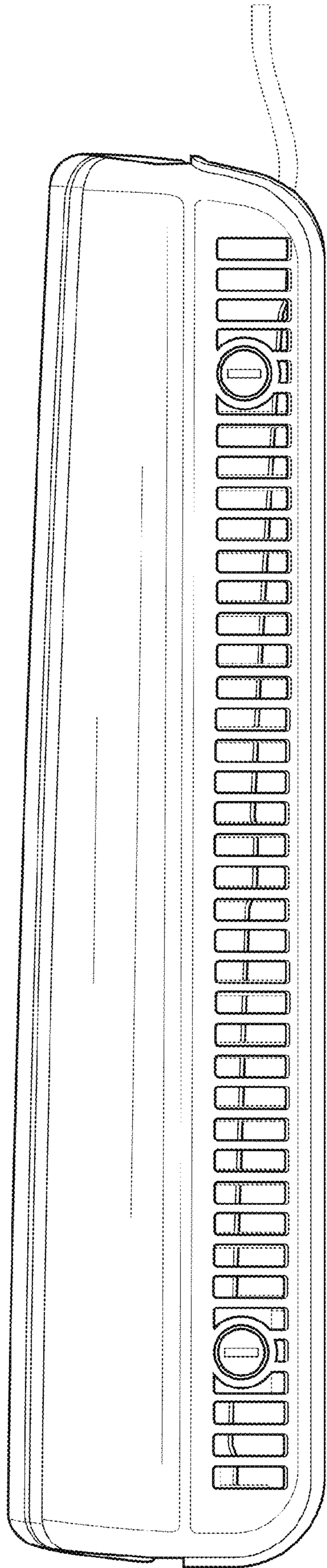


FIG. 5

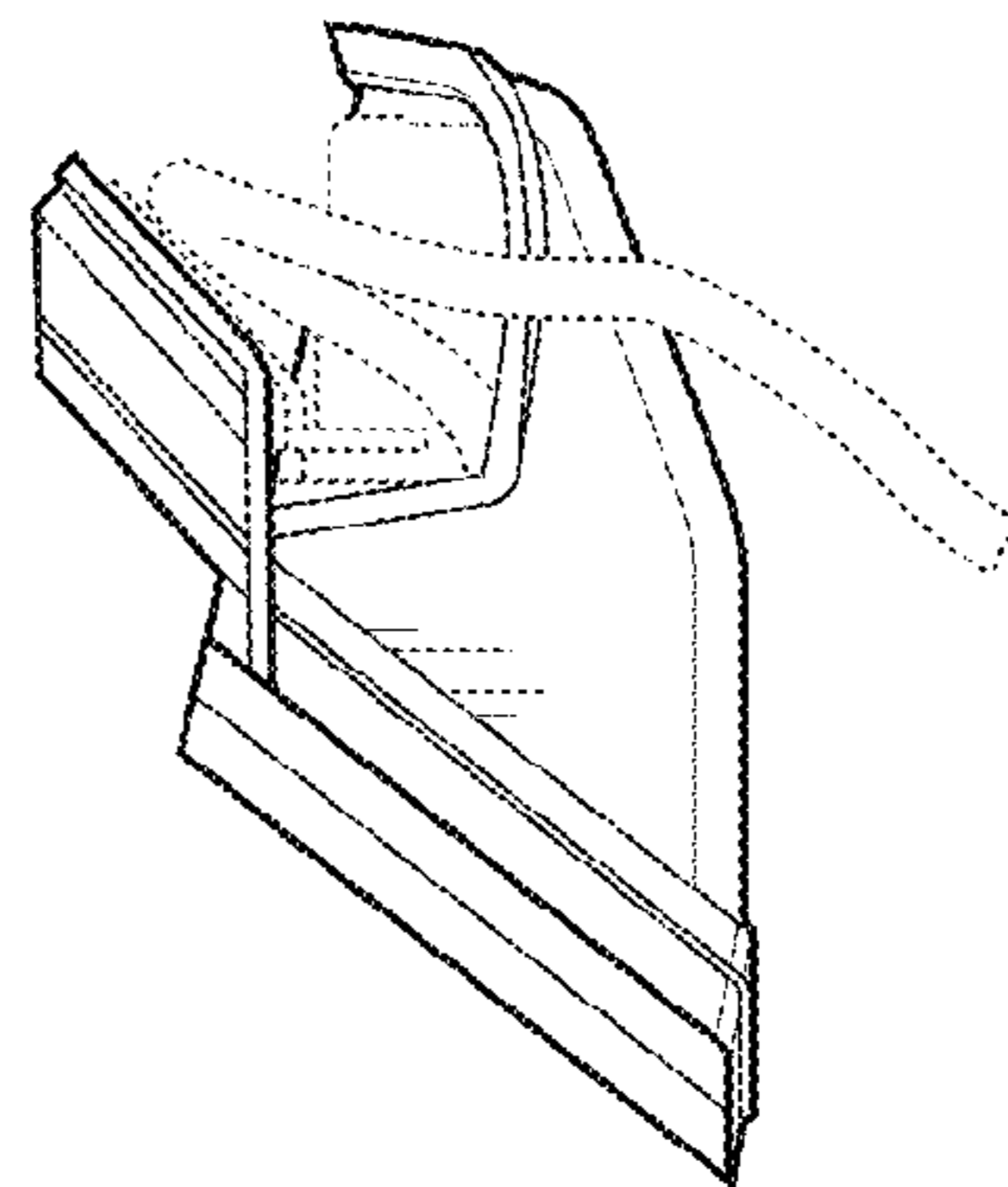


FIG. 6

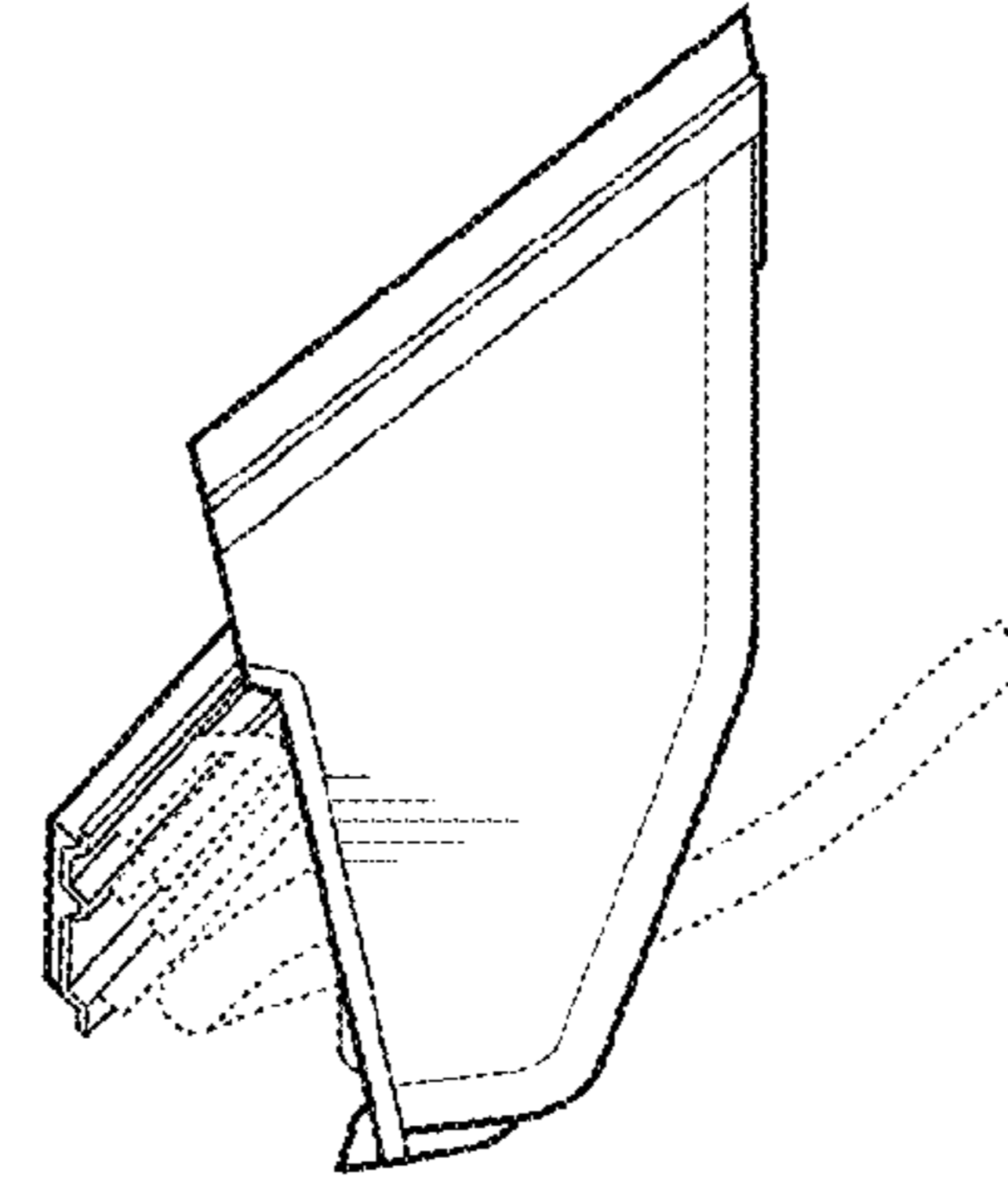


FIG. 7