



US00D888297S

(12) **United States Design Patent**  
**Ko**

(10) **Patent No.:** **US D888,297 S**  
(45) **Date of Patent:** **\*\* Jun. 23, 2020**

(54) **LAMP FOR A VEHICLE**

(56) **References Cited**

(71) Applicants: **VISION X ASIA CO., LTD.**,  
Hwaseong-si (KR); **In Hong Ko**, Seoul  
(KR)

U.S. PATENT DOCUMENTS

|            |   |         |       |       |        |
|------------|---|---------|-------|-------|--------|
| D578,678 S | * | 10/2008 | Huang | ..... | D26/28 |
| D693,035 S | * | 11/2013 | Datz  | ..... | D26/28 |
| D711,565 S | * | 8/2014  | Tsai  | ..... | D26/28 |
| D715,976 S | * | 10/2014 | Chou  | ..... | D26/28 |

(72) Inventor: **In Hong Ko**, Seoul (KR)

\* cited by examiner

(73) Assignees: **VISION X ASIA CO., LTD.**,  
Hwaseong-si (KR); **In Hong Ko**, Seoul  
(KR)

*Primary Examiner* — Marcus A Jackson

(74) *Attorney, Agent, or Firm* — Cantor Colburn LLP

(\*\*) Term: **15 Years**

(57) **CLAIM**

(21) Appl. No.: **29/688,288**

The ornamental design for a lamp for a vehicle, as shown and described.

(22) Filed: **Apr. 19, 2019**

**DESCRIPTION**

(30) **Foreign Application Priority Data**

Oct. 22, 2018 (KR) ..... 30-2018-0048408

(51) **LOC (12) Cl.** ..... **26-06**

(52) **U.S. Cl.**  
USPC ..... **D26/28**

(58) **Field of Classification Search**  
USPC ..... D26/28-36, 139  
CPC ..... F21S 48/00; F21S 48/10; F21S 48/115;  
F21S 48/225; F21S 48/1233; F21S  
48/1266; F21S 48/1388; F21S 48/2268;  
F21V 21/04; F21V 29/004; B60Q 9/13;  
B60Q 9/135; B60Q 9/1375

FIG. 1 is a front side perspective view of a lamp for a vehicle showing my new design;  
FIG. 2 is a rear side perspective view thereof;  
FIG. 3 is a front elevational view thereof;  
FIG. 4 is a rear elevational view thereof;  
FIG. 5 is a left side elevational view thereof;  
FIG. 6 is a right side elevational view thereof;  
FIG. 7 is a top plan view thereof; and,  
FIG. 8 is a bottom plan view thereof.  
The broken lines are included for illustrative purposes only and form no part of the claimed design.

See application file for complete search history.

**1 Claim, 7 Drawing Sheets**

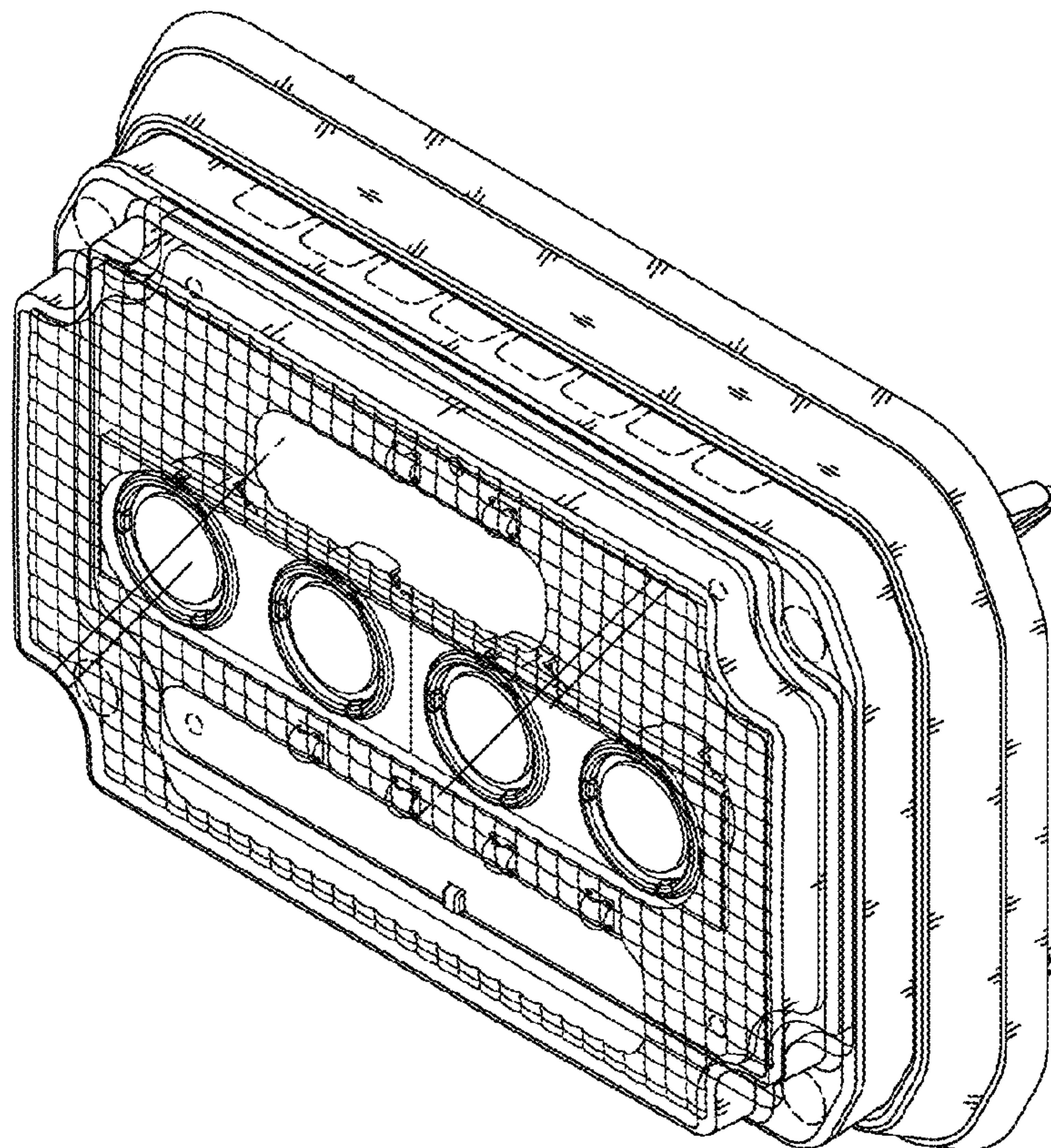


FIG. 1

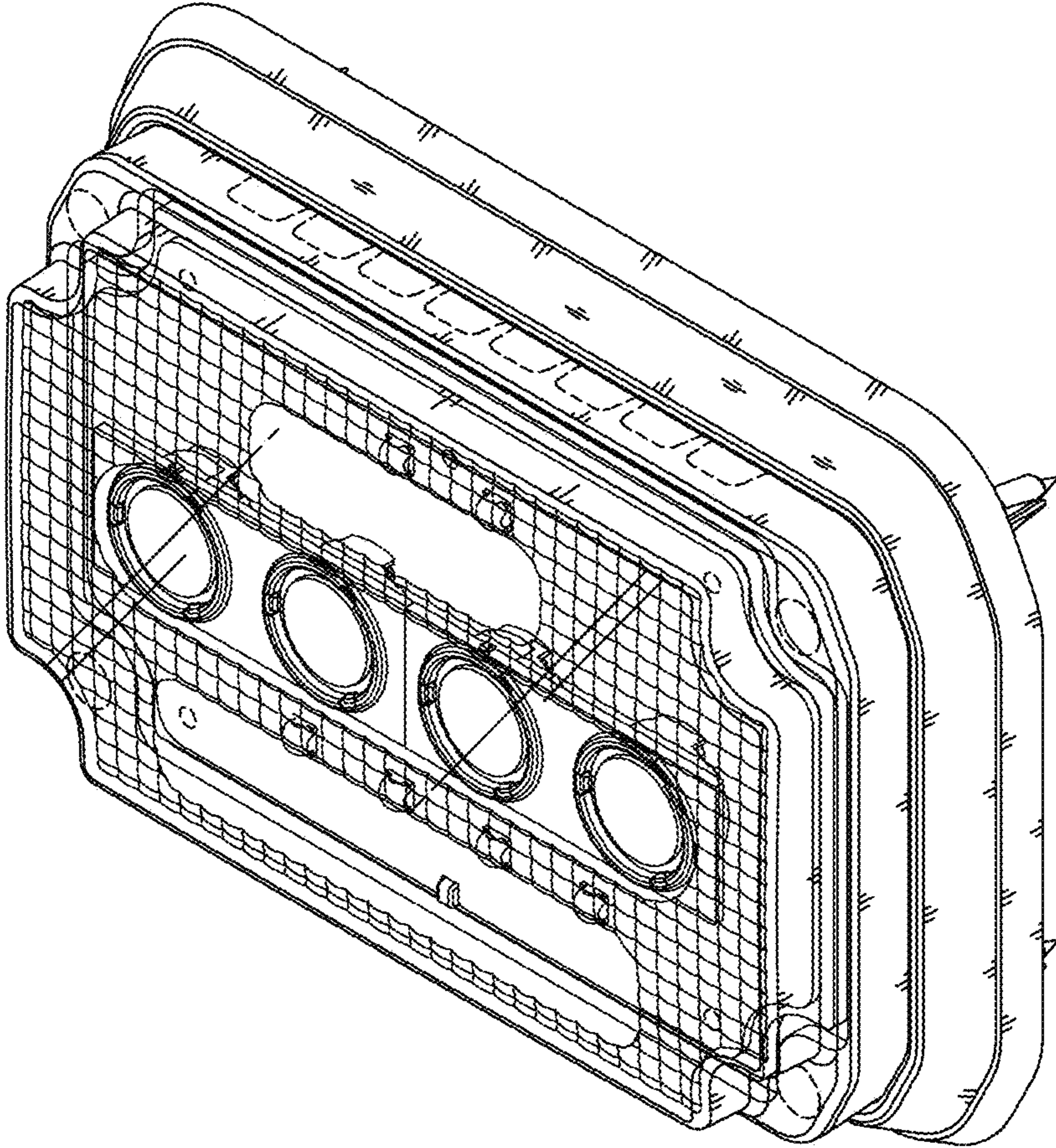




FIG. 2

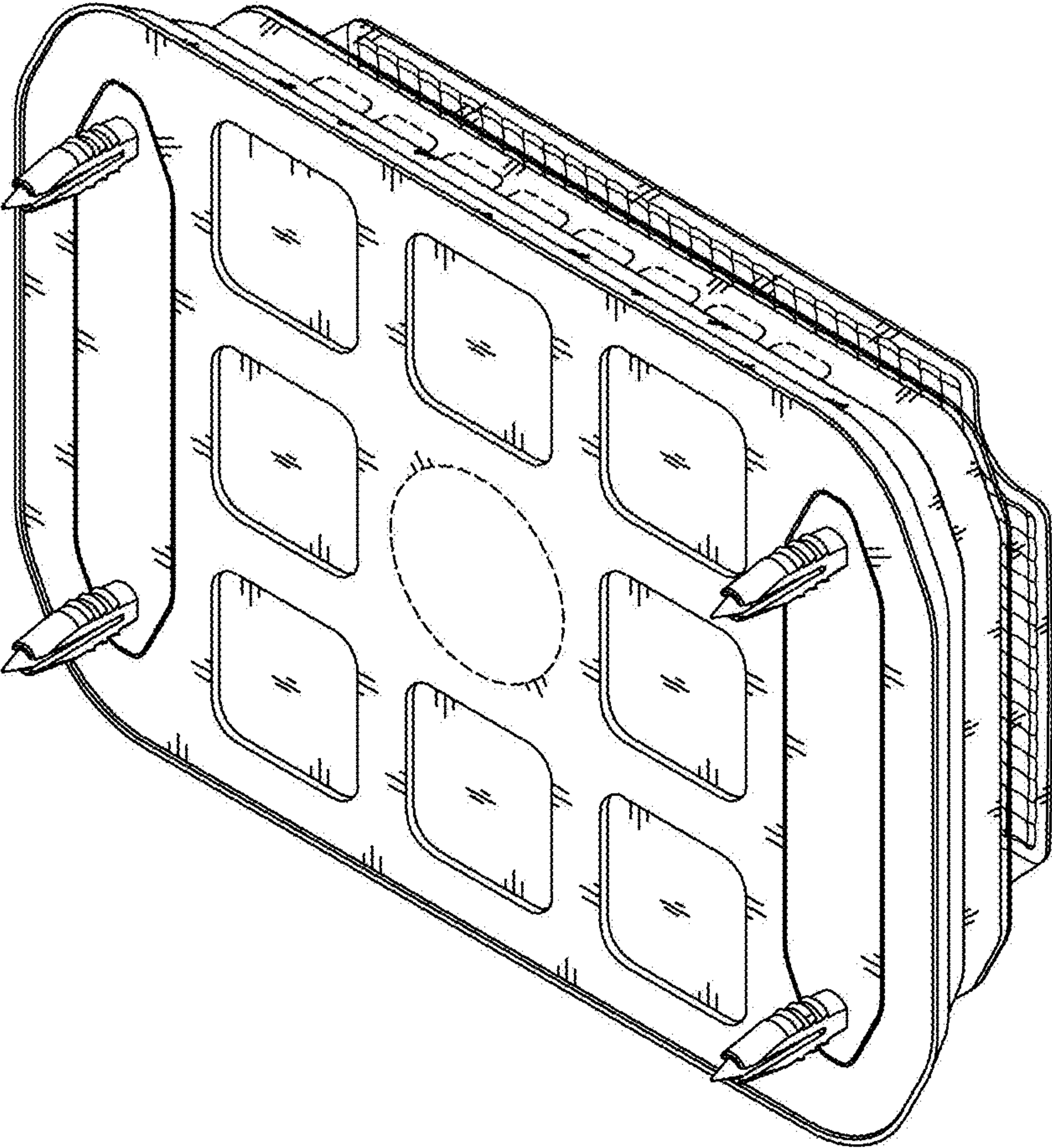


FIG. 3

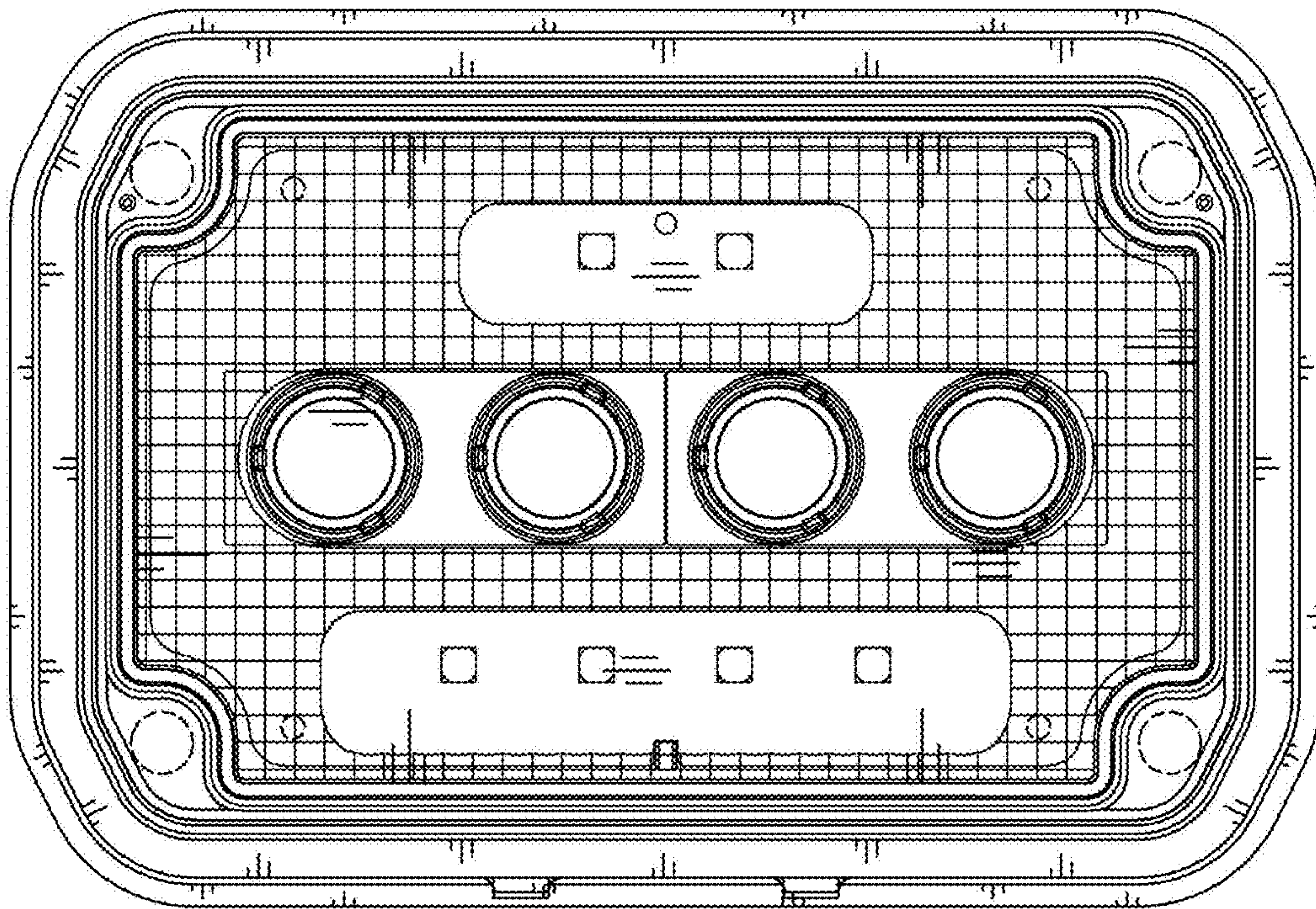


FIG. 4

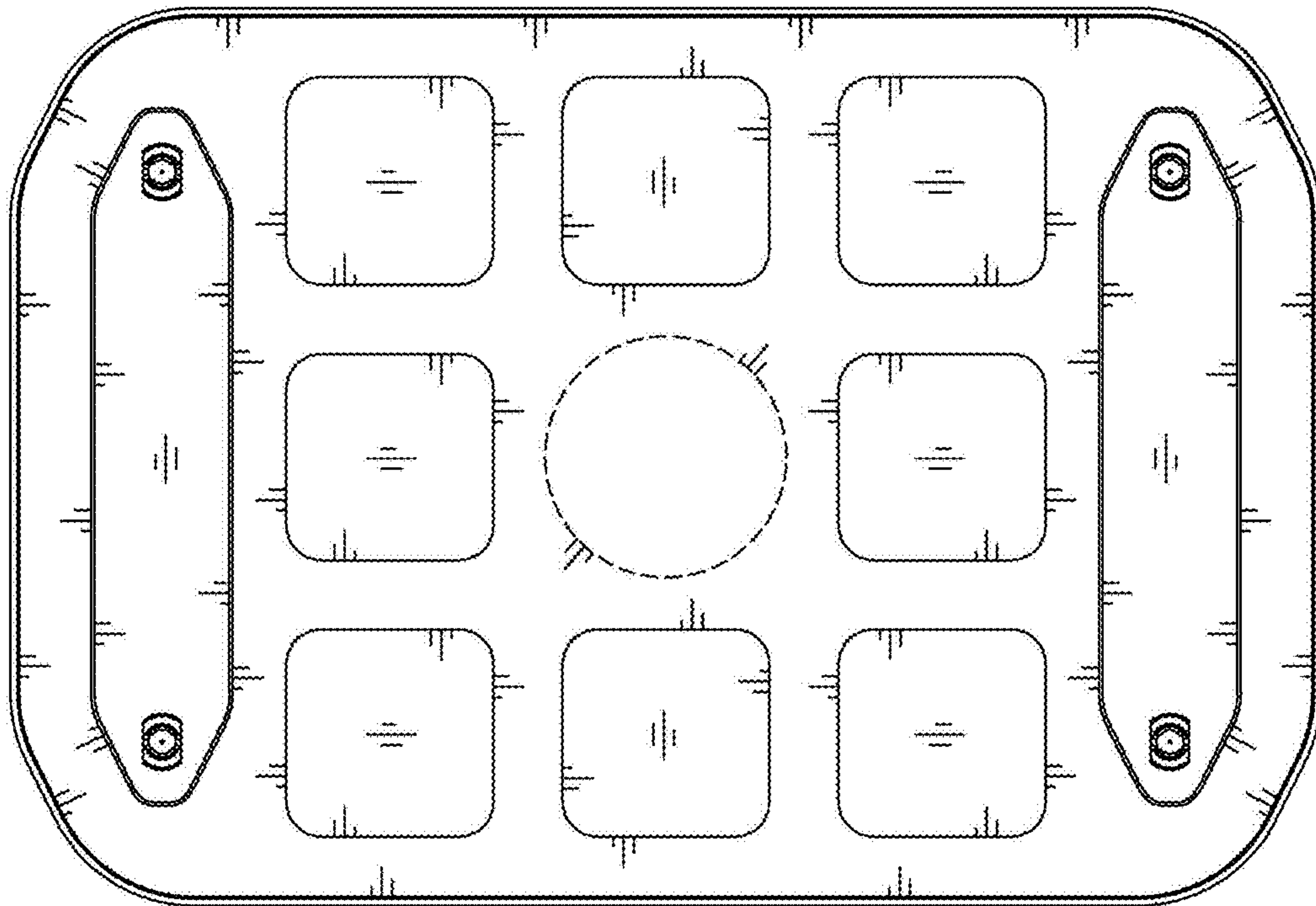


FIG. 5

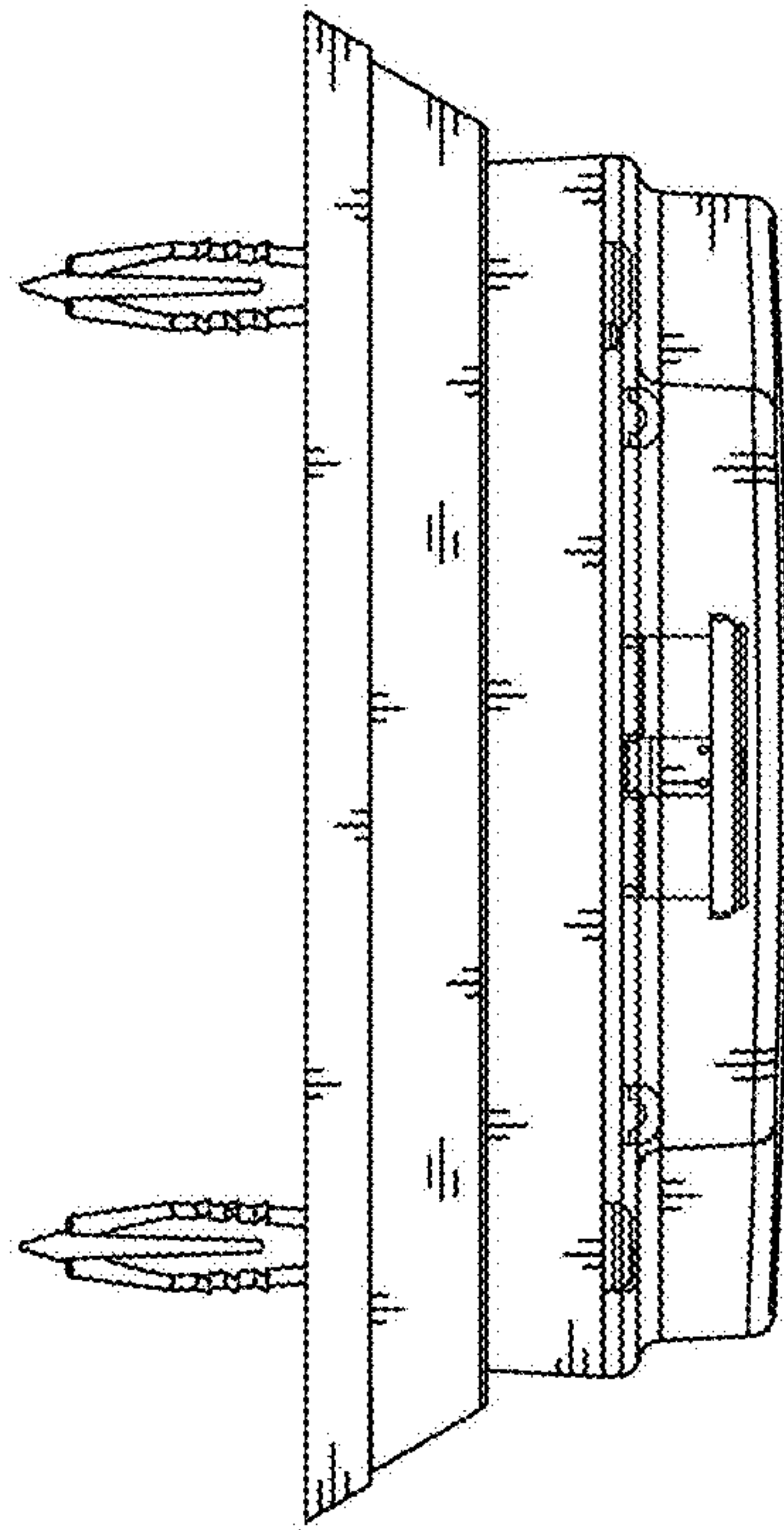




FIG. 6

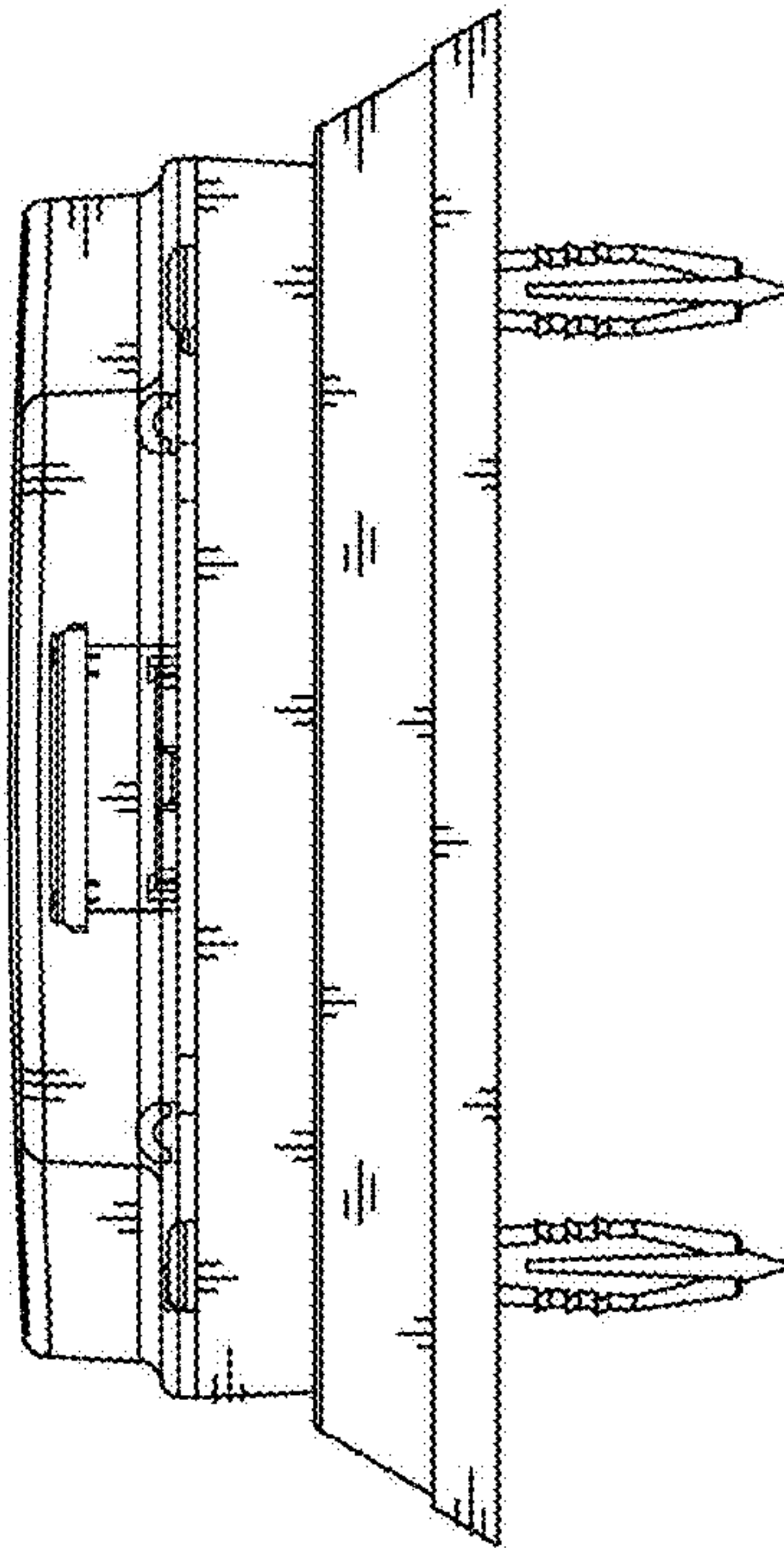


FIG. 7

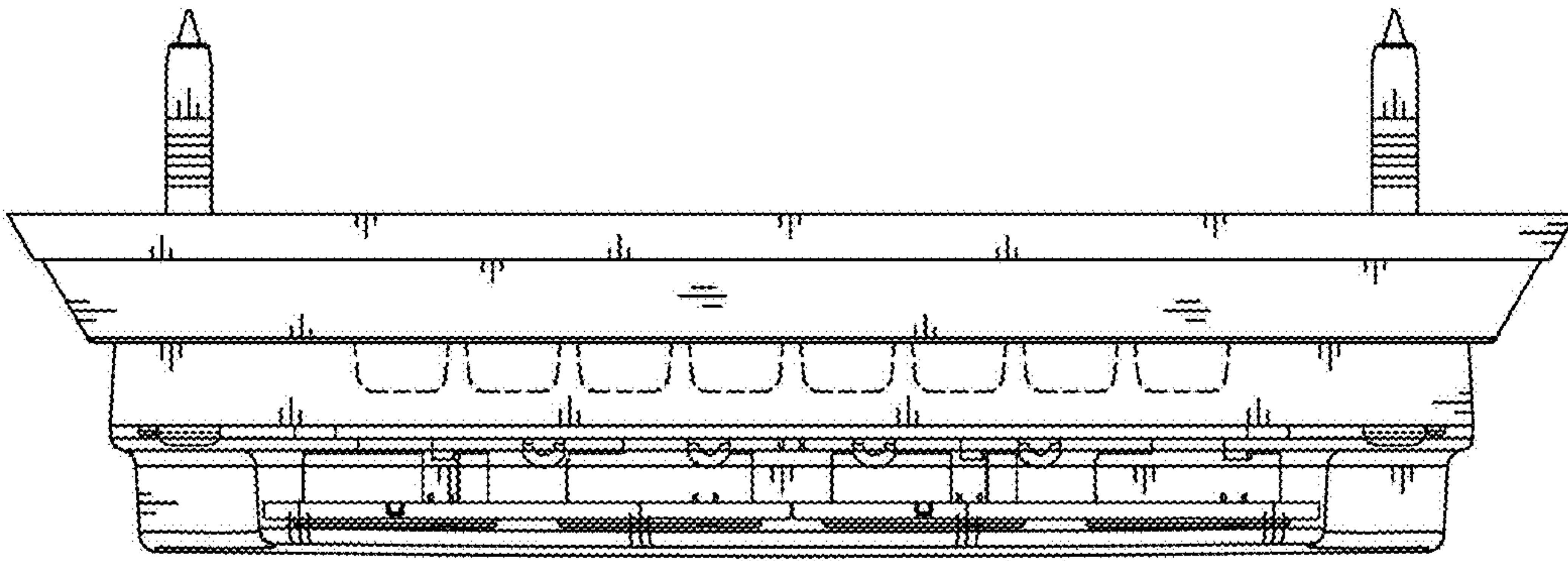


FIG. 8

