



US00D888295S

(12) **United States Design Patent**
Grabowski

(10) **Patent No.:** **US D888,295 S**
(45) **Date of Patent:** **** Jun. 23, 2020**

- (54) **VEHICLE LAMP**
- (71) Applicant: **Automotive Lighting LLC**, Auburn Hills, MI (US)
- (72) Inventor: **William A. Grabowski**, Northville, MI (US)
- (73) Assignee: **Automotive Lighting LLC**, Auburn Hills, MI (US)
- (**) Term: **15 Years**

- D782,711 S 3/2017 Dunshee et al.
- D793,592 S 8/2017 Chen et al.
- D798,475 S 9/2017 Georgitsis et al.
- D827,887 S 9/2018 Pan
- D828,591 S 9/2018 Wu
- D828,593 S 9/2018 Pan
- D833,655 S 11/2018 Ko
- D839,458 S 1/2019 Ting et al.
- D843,620 S 3/2019 LaMarche et al.
- D850,672 S 6/2019 McGinley
- D854,204 S 7/2019 Ting et al.
- D855,844 S 8/2019 Peng
- D857,258 S 8/2019 Lin
- D857,263 S 8/2019 Goodrich et al.
- D857,264 S 8/2019 Goodrich et al.

- (21) Appl. No.: **29/669,387**
- (22) Filed: **Nov. 7, 2018**
- (51) **LOC (12) Cl.** **26-06**
- (52) **U.S. Cl.**
USPC **D26/28**
- (58) **Field of Classification Search**
USPC D26/28-36, 139
CPC F21S 48/00; F21S 48/10; F21S 48/115;
F21S 48/225; F21S 48/1233; F21S
48/1266; F21S 48/1388; F21S 48/2268;
F21V 21/04; B60Q 9/13; B60Q 9/135;
B60Q 9/1375; B60Q 1/0483
See application file for complete search history.

* cited by examiner

Primary Examiner — Marcus A Jackson
(74) *Attorney, Agent, or Firm* — Howard & Howard
Attorneys PLLC

(56) **References Cited**

U.S. PATENT DOCUMENTS

- D490,172 S * 5/2004 Yamamoto D26/28
- D554,279 S * 10/2007 Jeffries D26/28
- D564,683 S * 3/2008 Roach D26/28
- D570,009 S * 5/2008 Kani D26/28
- D574,978 S * 8/2008 Hyodo D26/28
- D675,758 S * 2/2013 Adams D26/28
- D677,813 S 3/2013 Hanaoka
- D711,024 S 8/2014 Kuwano
- D736,971 S 8/2015 Duff et al.
- D759,285 S 6/2016 Mitchell et al.
- D765,290 S 8/2016 Adams et al.

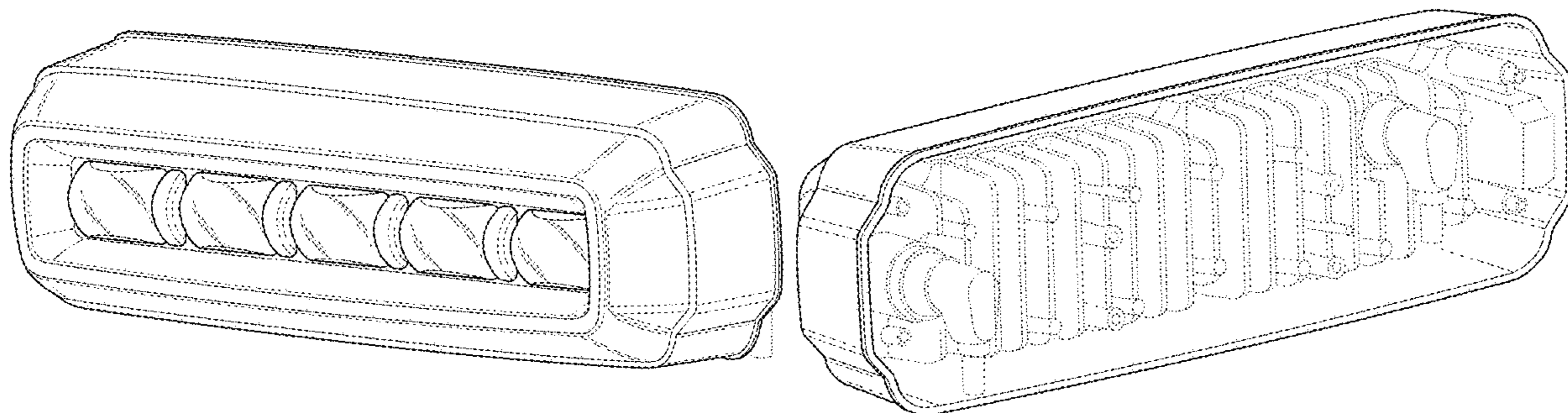
(57) **CLAIM**

The ornamental design for a vehicle lamp, as shown and described.

DESCRIPTION

FIG. 1 is a front perspective view of the vehicle lamp of the present invention;
 FIG. 2 is a rear perspective view of the vehicle lamp of the present invention;
 FIG. 3 is a front view of the vehicle lamp of the present invention;
 FIG. 4 is a top view of the vehicle lamp of the present invention;
 FIG. 5 is a bottom view of the vehicle lamp of the present invention;
 FIG. 6 is a side view of the vehicle lamp of the present invention; and,
 FIG. 7 is an opposite side view of the vehicle lamp of the present invention.

1 Claim, 3 Drawing Sheets



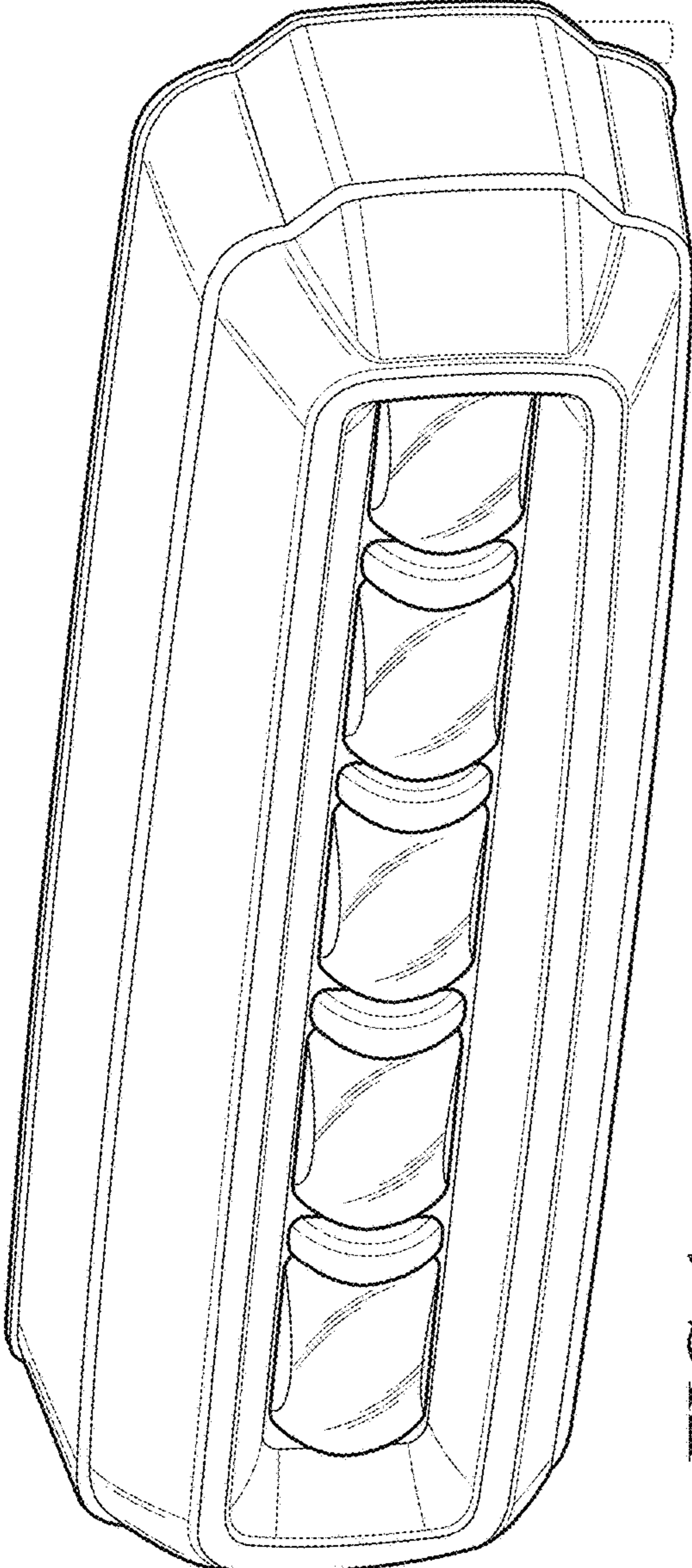


FIG. 1

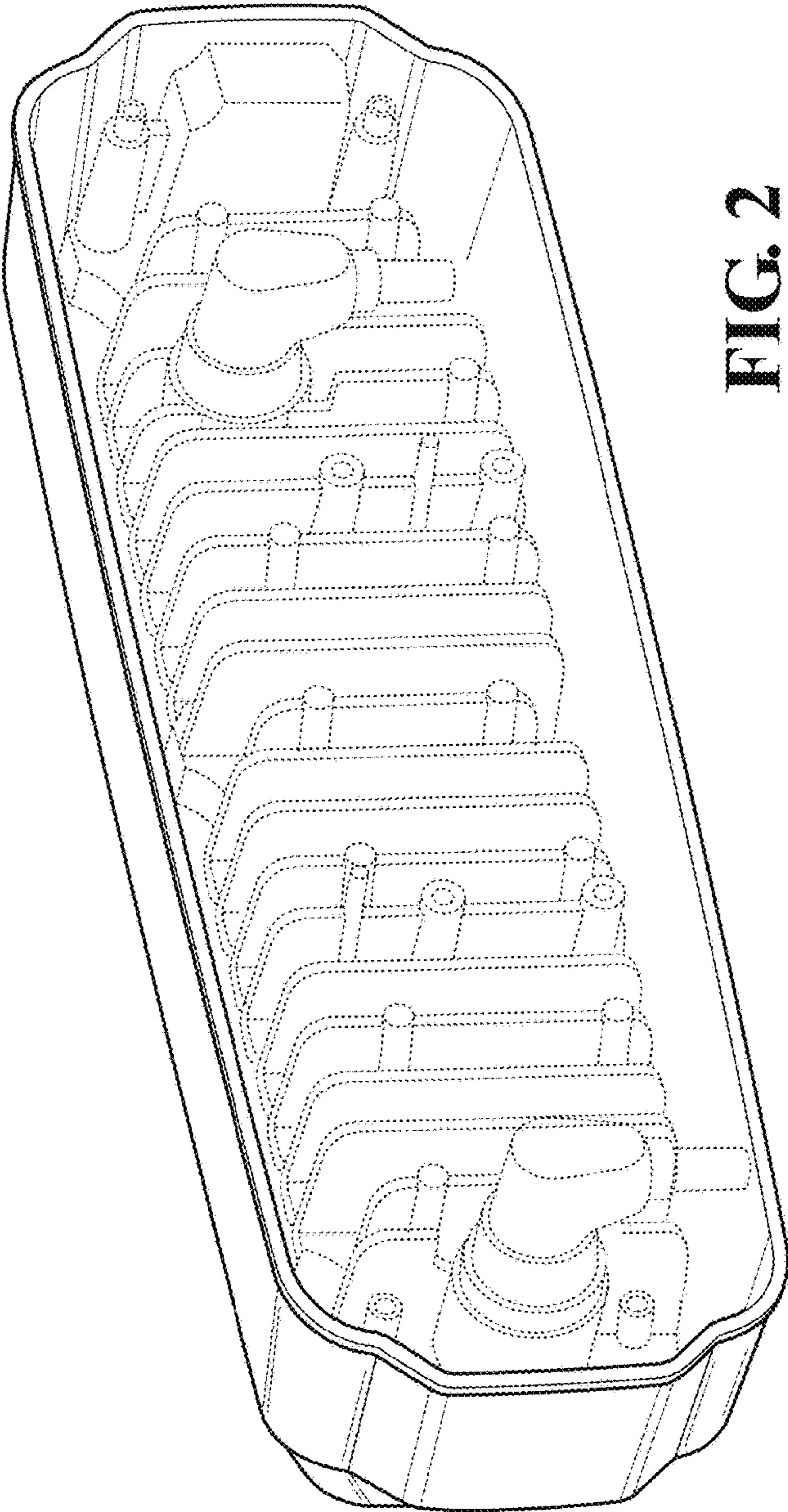


FIG. 2

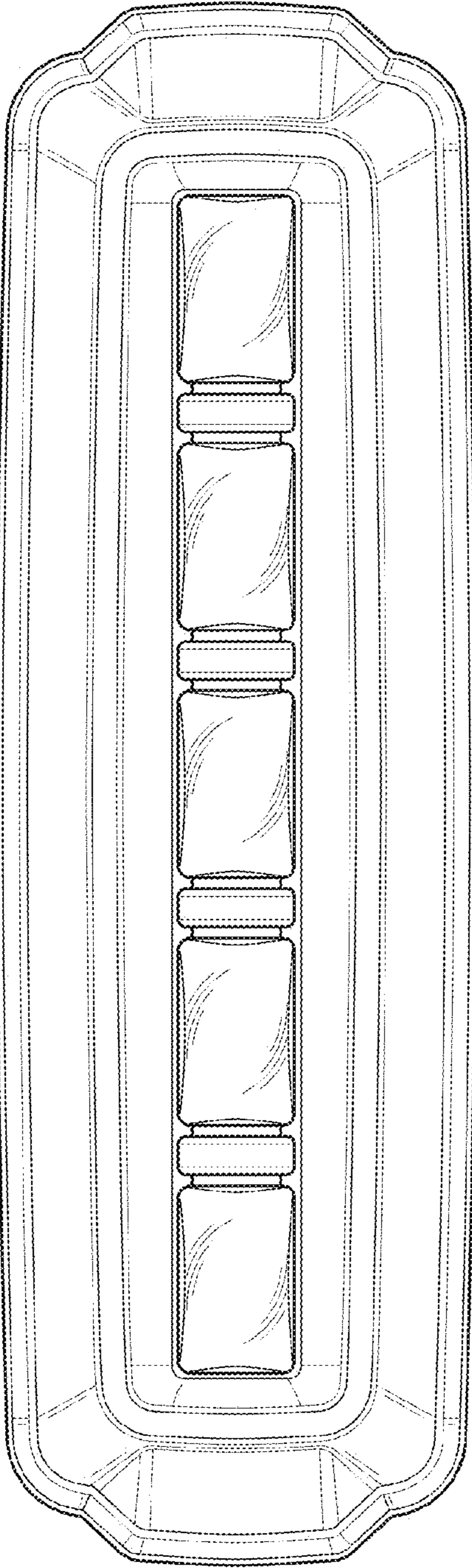


FIG. 3

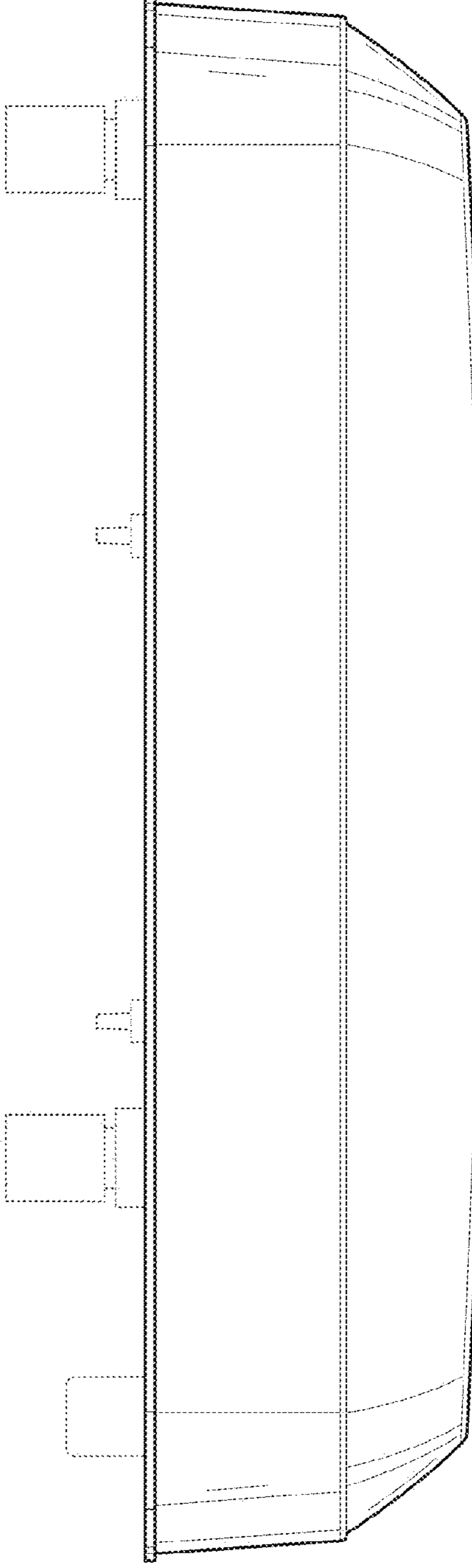


FIG. 4

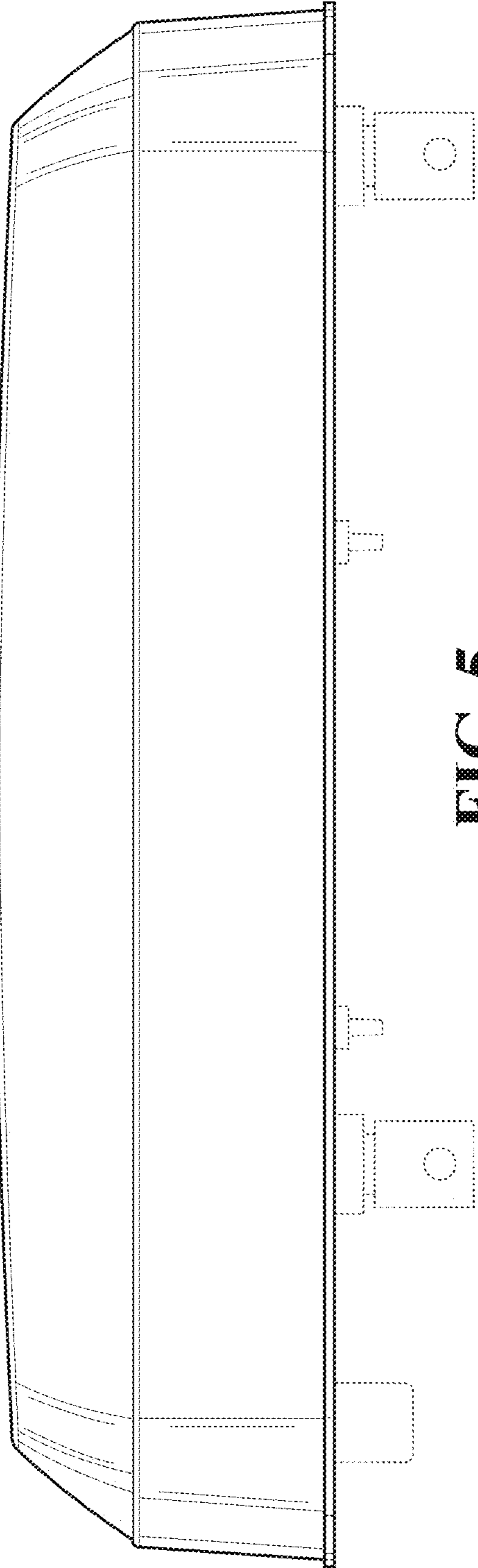


FIG. 5

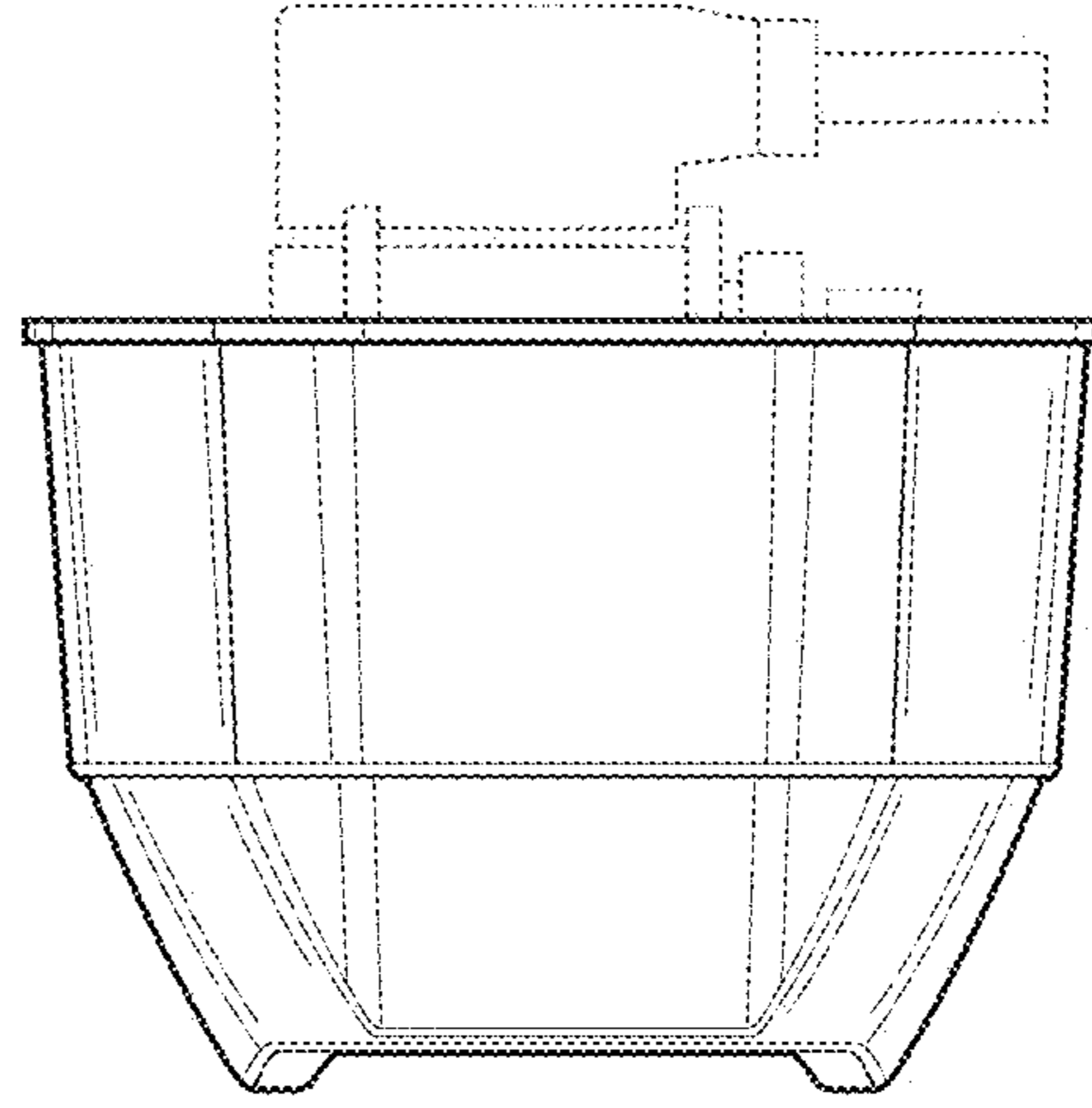


FIG. 6

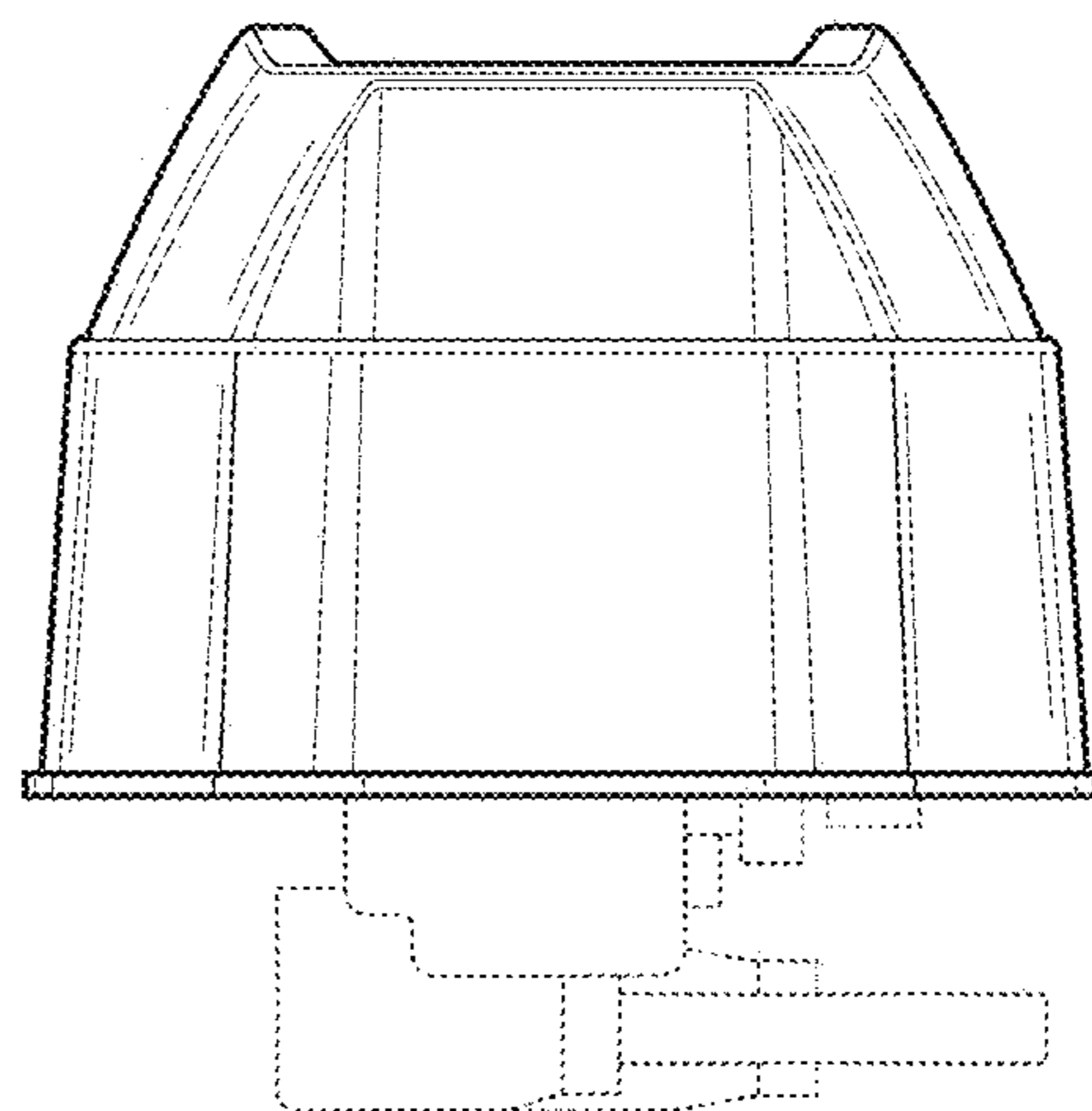


FIG. 7