



US00D888293S

(12) **United States Design Patent**
Xie

(10) **Patent No.:** **US D888,293 S**
(45) **Date of Patent:** **** Jun. 23, 2020**

(54) **LAMP BEAD**

DESCRIPTION

- (71) Applicant: **Huarong Xie**, Guangdong (CN)
- (72) Inventor: **Huarong Xie**, Guangdong (CN)
- (**) Term: **15 Years**
- (21) Appl. No.: **29/631,582**
- (22) Filed: **Dec. 29, 2017**
- (51) **LOC (12) Cl.** **26-04**
- (52) **U.S. Cl.**
USPC **D26/25; D26/1**
- (58) **Field of Classification Search**
USPC D26/1, 24, 25, 43, 86, 110; 362/224,
362/225, 227, 240
CPC F21S 4/00; F21S 4/01; F21S 4/20; F21S
4/22; F21S 2/00; F21S 2/005; F21S 5/00;
F21S 5/04; F21V 21/096; F21V 21/005;
F21V 21/008; H01R 13/46; H01R
13/514; H01R 31/02; H01R 31/048; H01J
5/48;

FIG. 1 is a first perspective view of a lamp bead according to a first embodiment (“Example 1”) showing my new design;
 FIG. 2 is a second perspective view of the lamp bead according to Example 1;
 FIG. 3 is a front elevational view of the lamp bead according to Example 1;
 FIG. 4 is a rear elevational view of the lamp bead according to Example 1;
 FIG. 5 is a left side view of the lamp bead according to Example 1;
 FIG. 6 is a right side view of the lamp bead according to Example 1;
 FIG. 7 is a top plan view of the lamp bead according to Example 1;
 FIG. 8 is a bottom plan view of the lamp bead according to Example 1;
 FIG. 9 is a perspective view of a string light comprising three lamp beads according to Example 1 which are connected in series;
 FIG. 10 is a perspective view of a lamp bead according to a second embodiment (“Example 2”) showing my new design;
 FIG. 11 is a front elevational view of the lamp bead according to Example 2;
 FIG. 12 is a rear elevational view of the lamp bead according to Example 2;
 FIG. 13 is a left side view of the lamp bead according to Example 2;
 FIG. 14 is a right side view of the lamp bead according to Example 2;
 FIG. 15 is a top plan view of the lamp bead according to Example 2;
 FIG. 16 is a bottom plan view of the lamp bead according to Example 2; and,
 FIG. 17 is a perspective view of a string light comprising three lamp beads according to Example 2 which are connected in series.
 The broken line portions are included to show unclaimed subject matter only and form no part of the claimed design.

(Continued)

(56) **References Cited**

U.S. PATENT DOCUMENTS

- D594,576 S * 6/2009 Chan D26/1
- D663,048 S * 7/2012 Chen D26/1
- D697,646 S * 1/2014 He D26/24

(Continued)

Primary Examiner — Wan Laymon

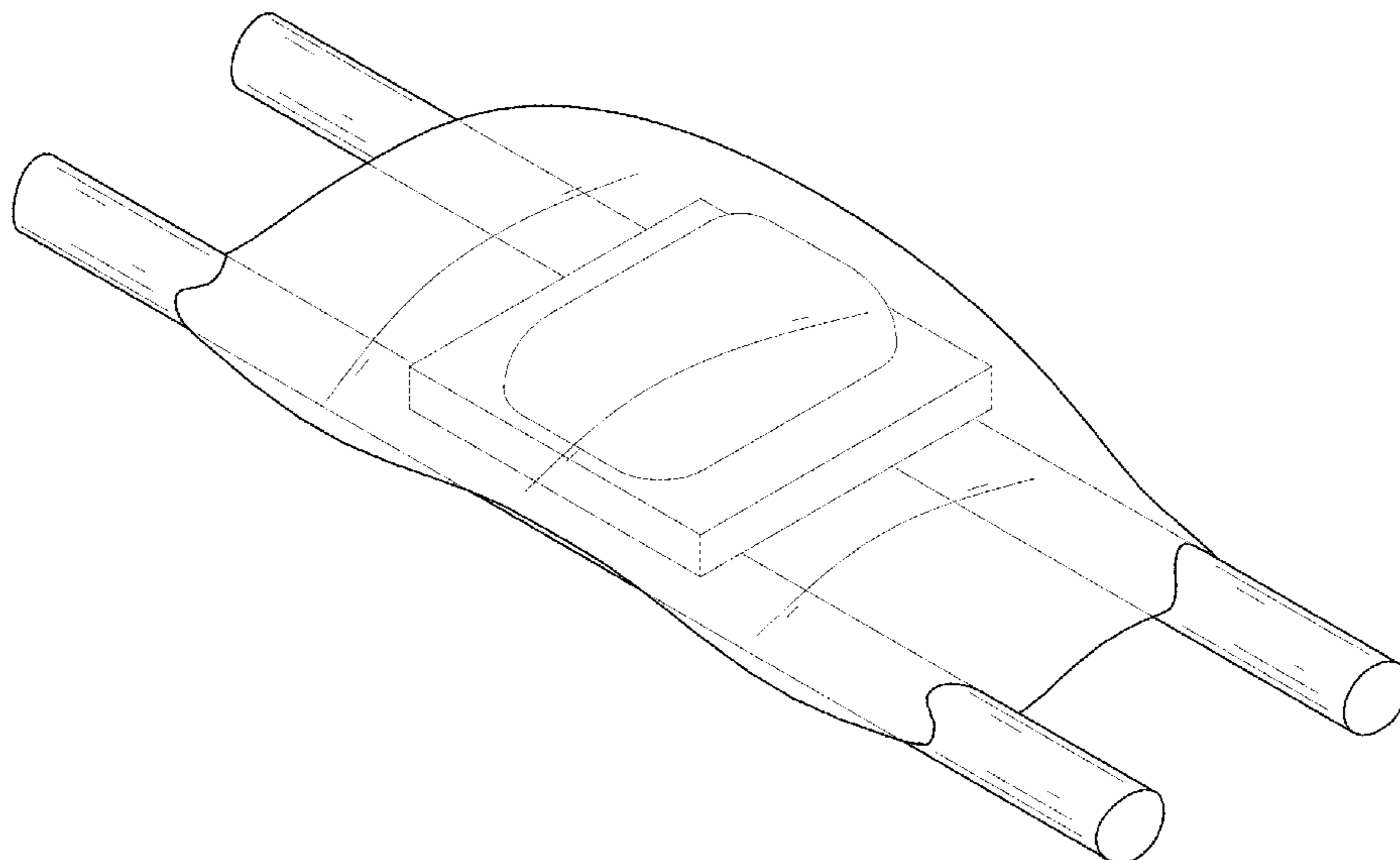
Assistant Examiner — Clint A Samuel

(74) *Attorney, Agent, or Firm* — KA Filing LLC; Wayne V. Harper

(57) **CLAIM**

The ornamental design for a lamp bead, as shown and described.

1 Claim, 17 Drawing Sheets



(58) **Field of Classification Search**

CPC ... H01J 5/50; H01J 15/00; H01J 19/54; G09F
13/00; G09F 13/22

See application file for complete search history.

(56) **References Cited**

U.S. PATENT DOCUMENTS

D703,841	S	*	4/2014	Feng	D26/1
D720,307	S	*	12/2014	Freeman	D13/180
D756,547	S	*	5/2016	Zhang	D26/24
D756,548	S	*	5/2016	Wang	D26/24
D843,612	S	*	3/2019	Hodohara	D26/1
D844,183	S	*	3/2019	Nakanishi	D26/1
D844,576	S	*	4/2019	Miura	D13/180
D858,809	S	*	9/2019	Kang	D26/24
D863,606	S	*	10/2019	Ou	D26/1
2011/0149548	A1	*	6/2011	Yang	F21V 5/04 362/84

* cited by examiner

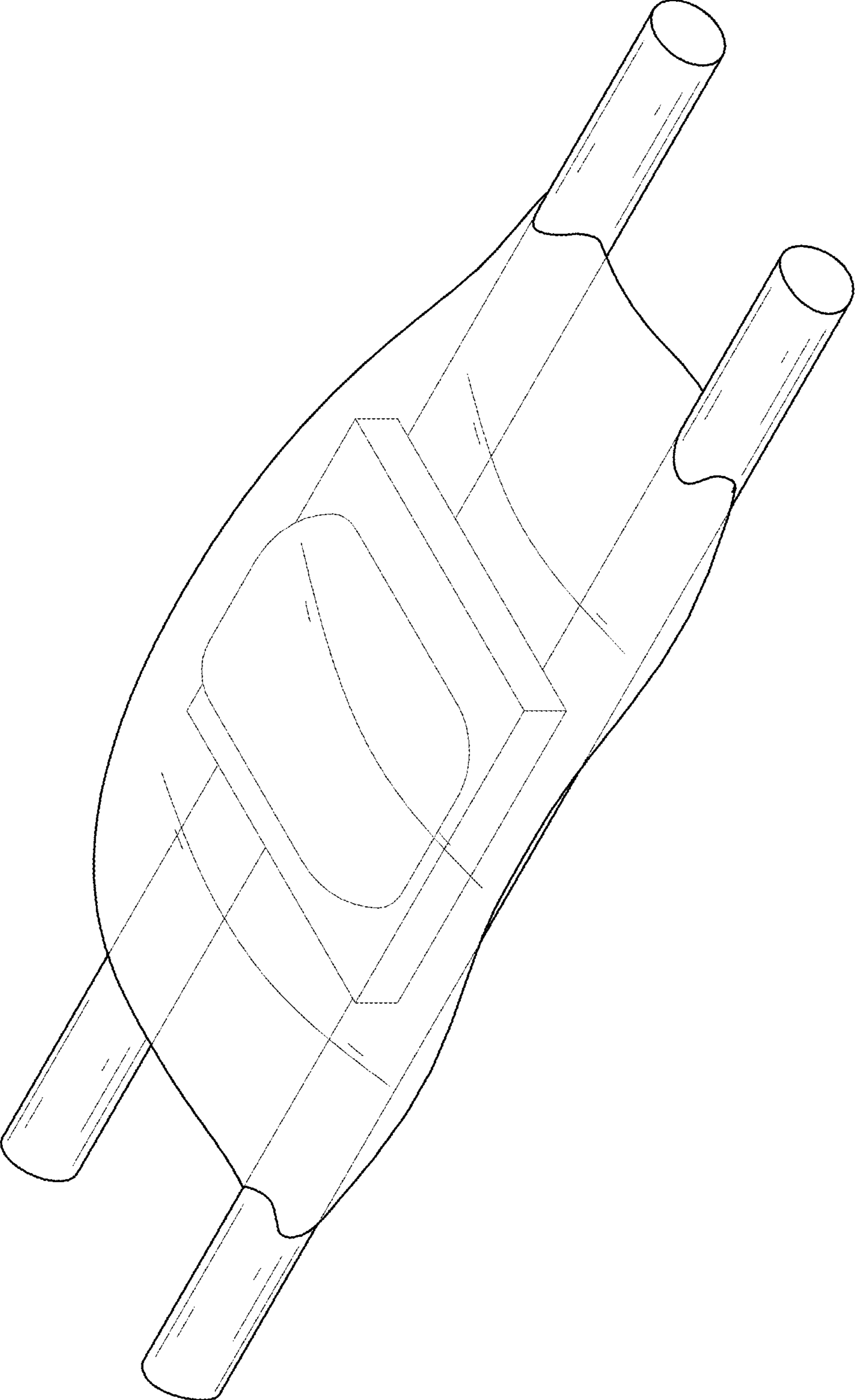


FIG. 1

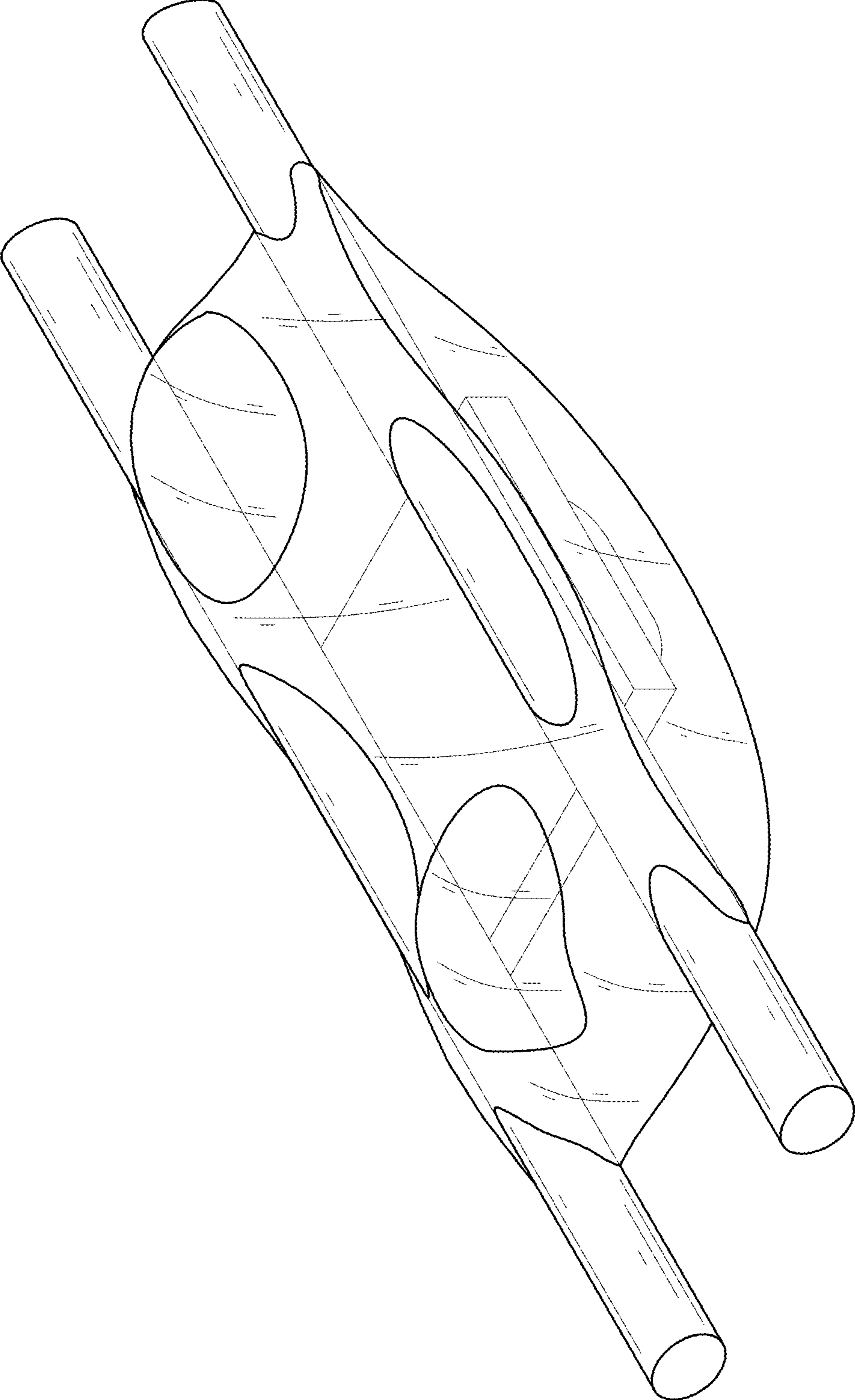


FIG. 2

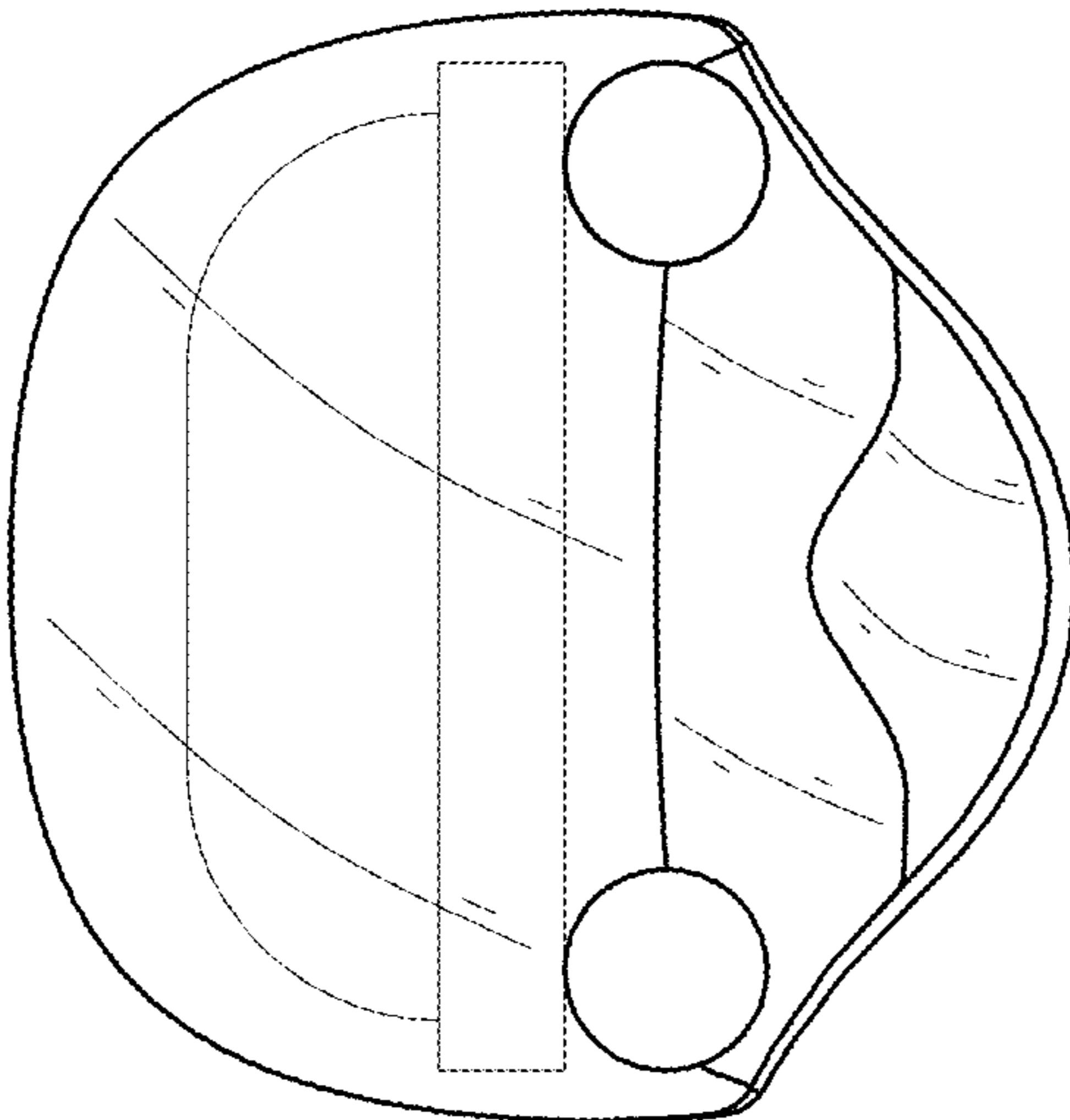


FIG. 3

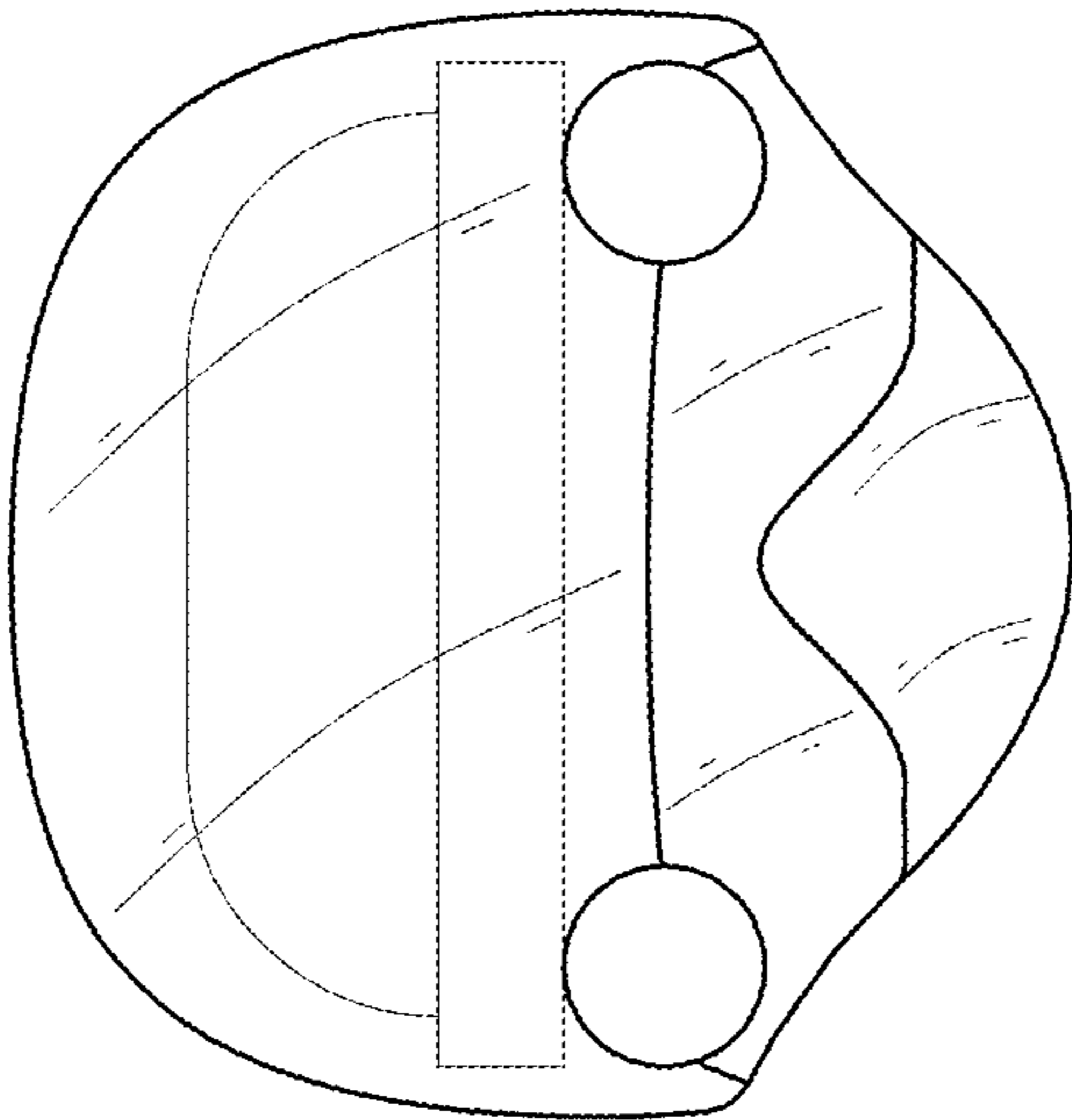


FIG. 4

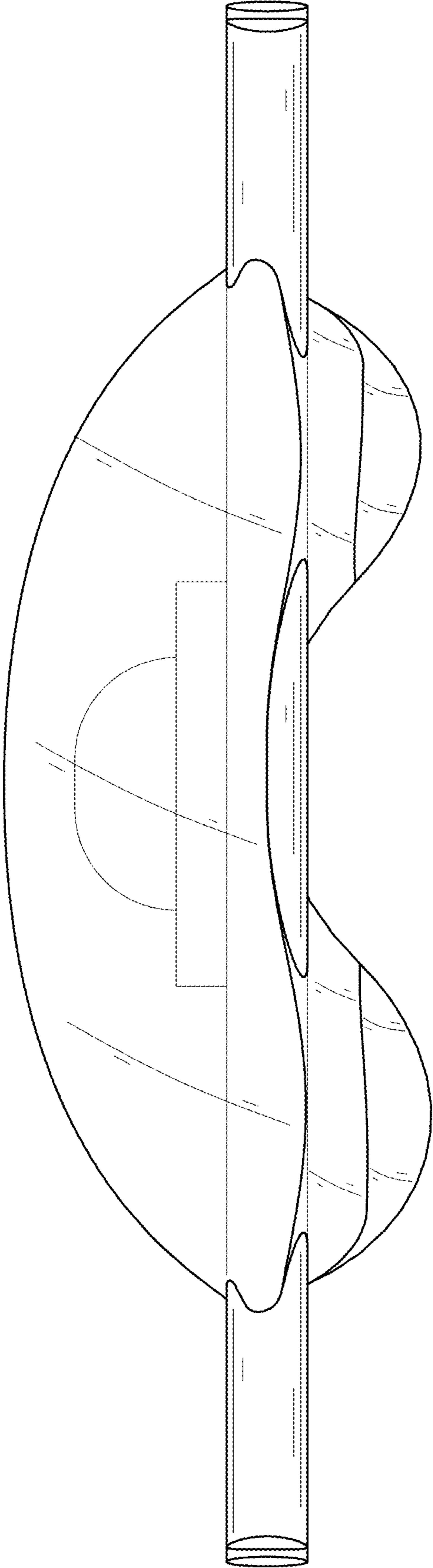


FIG. 5

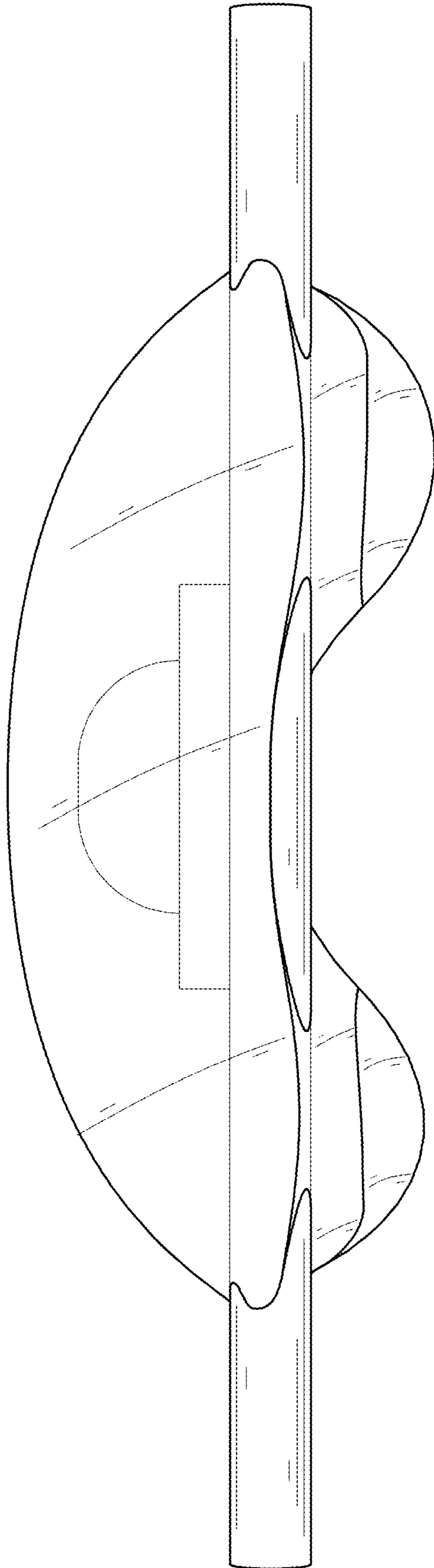


FIG. 6

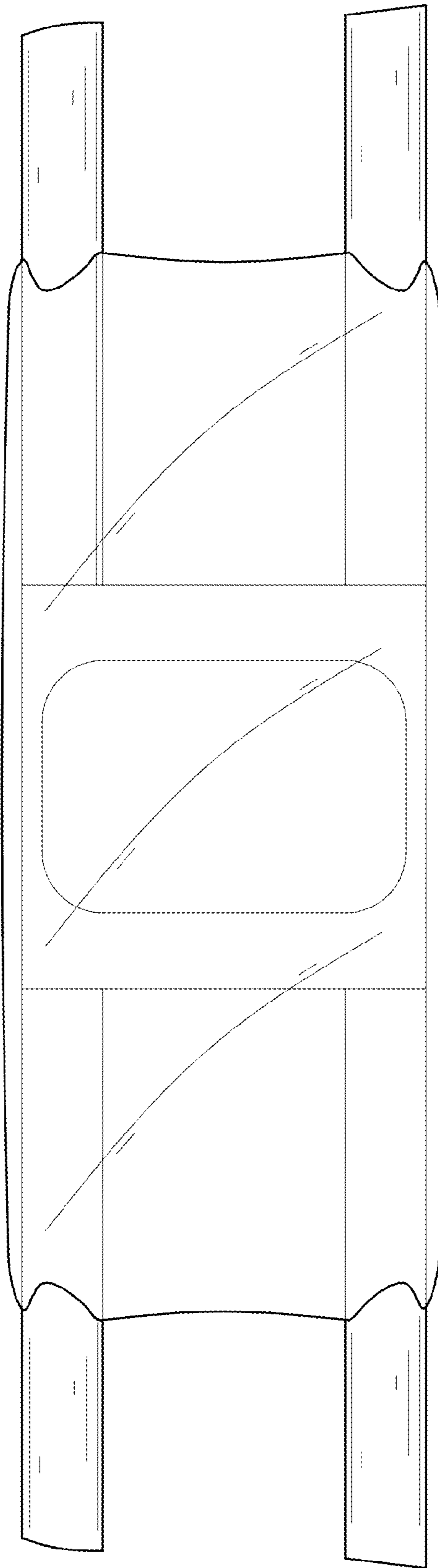


FIG. 7

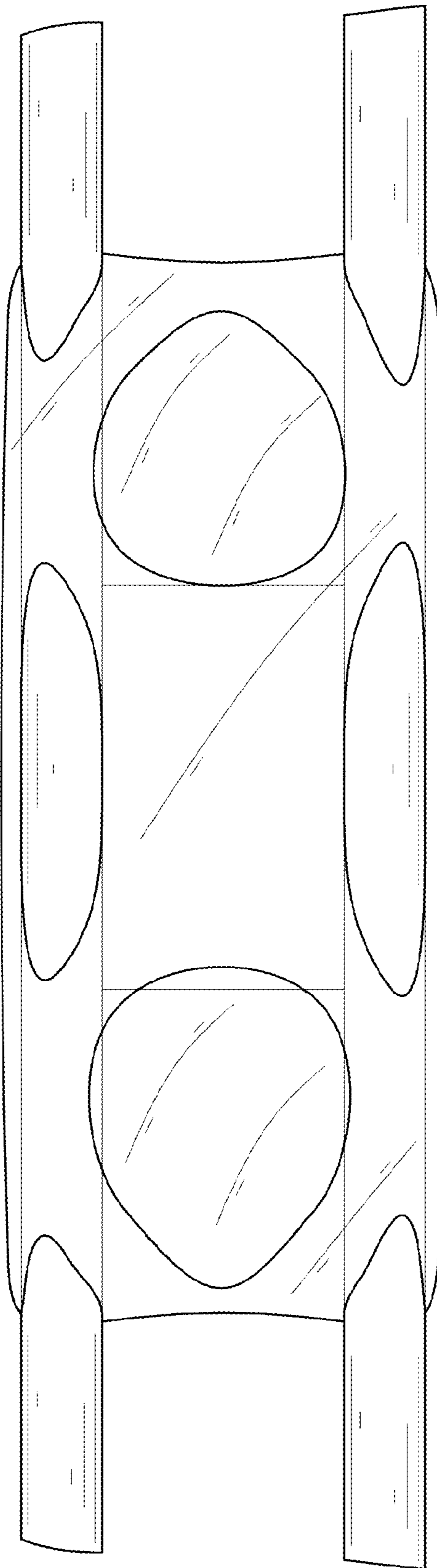


FIG. 8

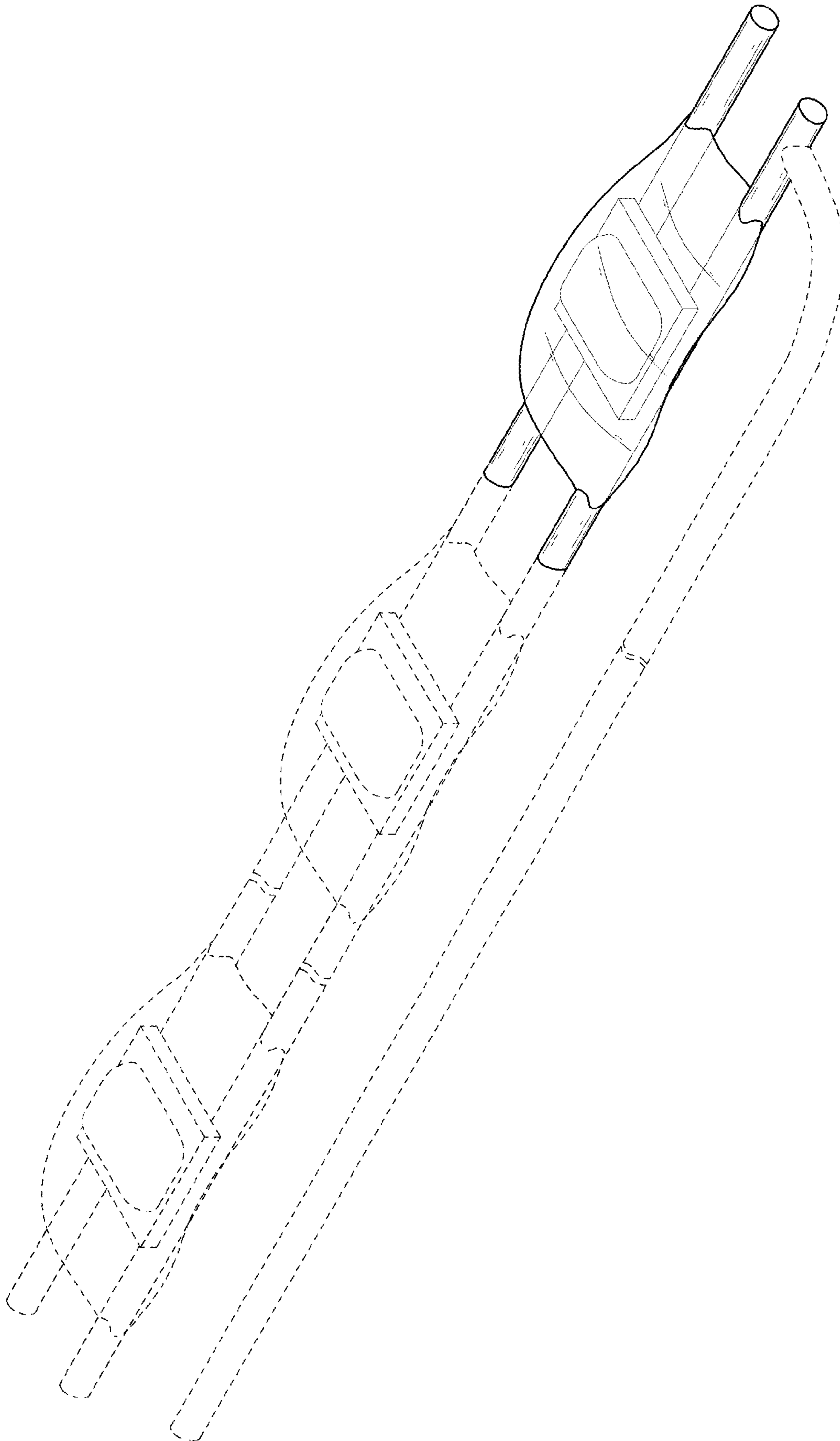


FIG. 9

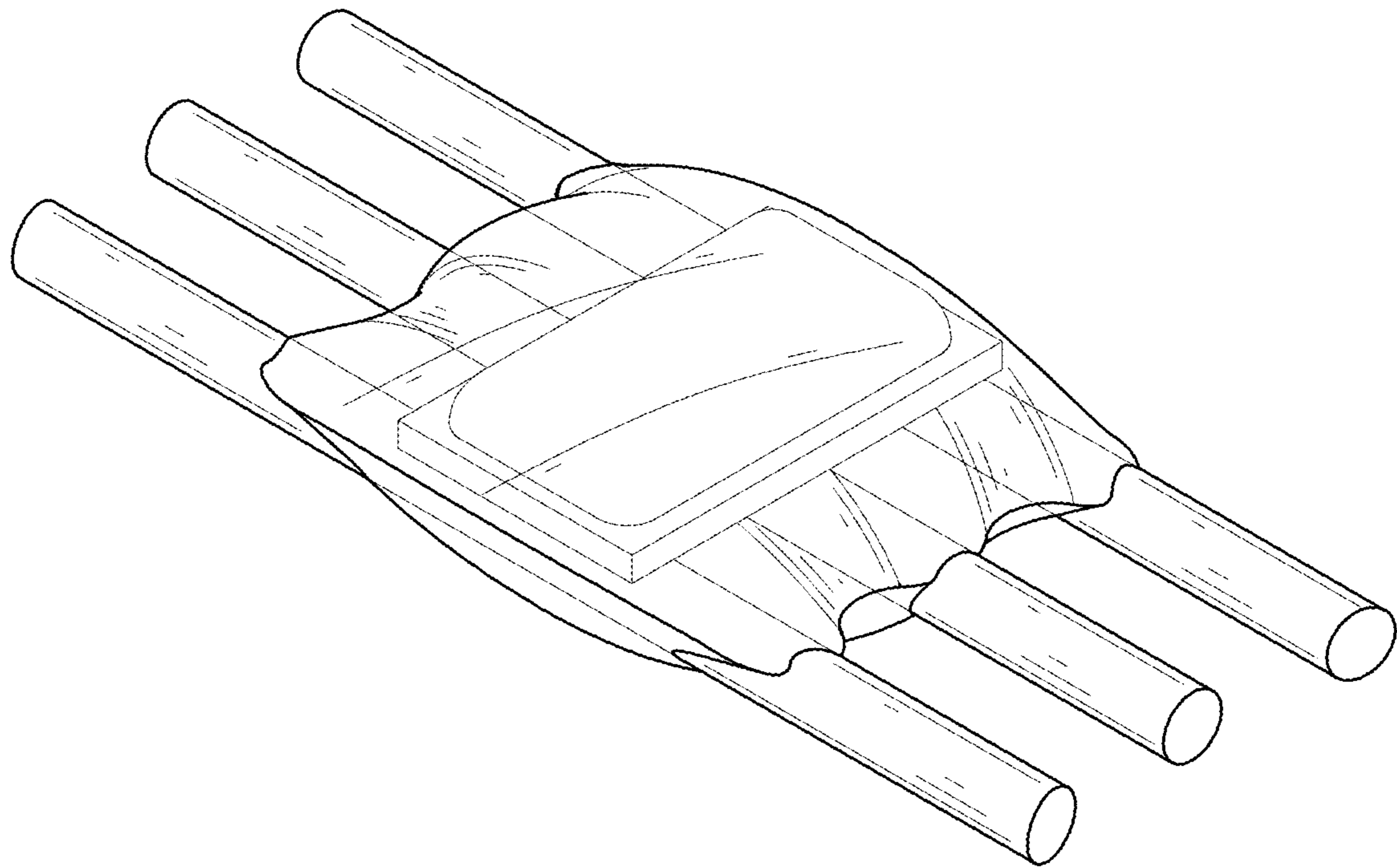


FIG. 10

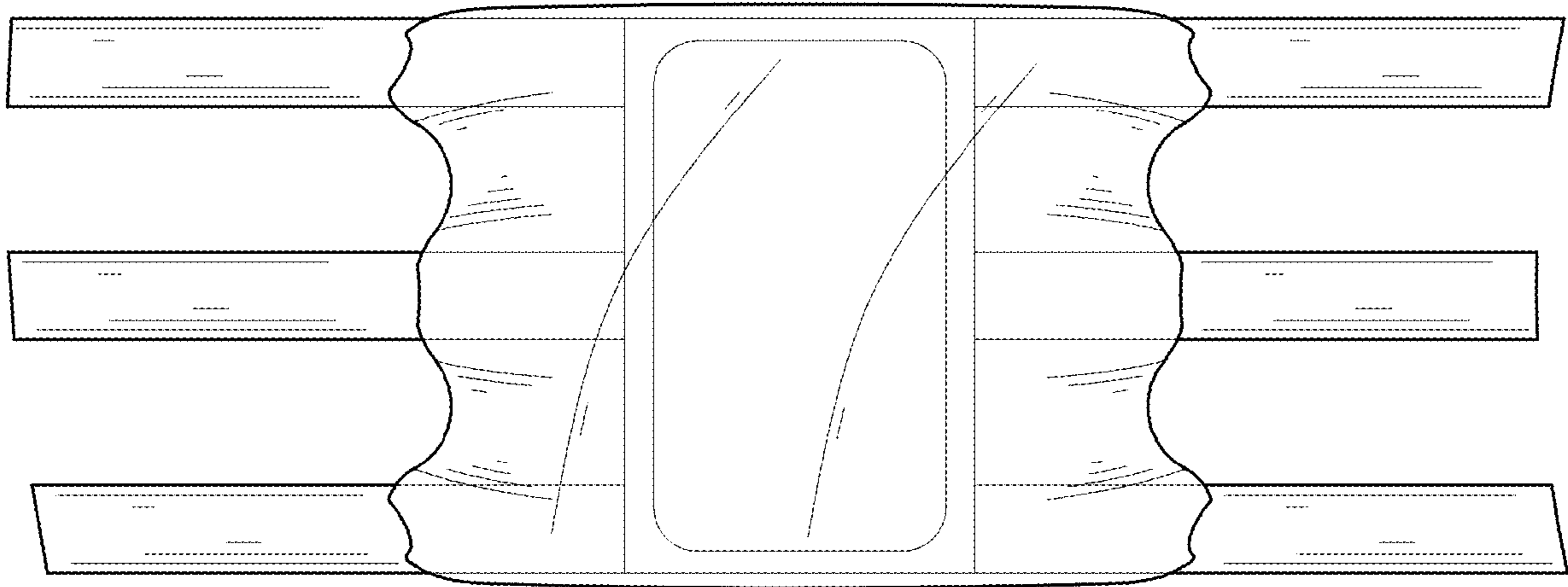


FIG. 11

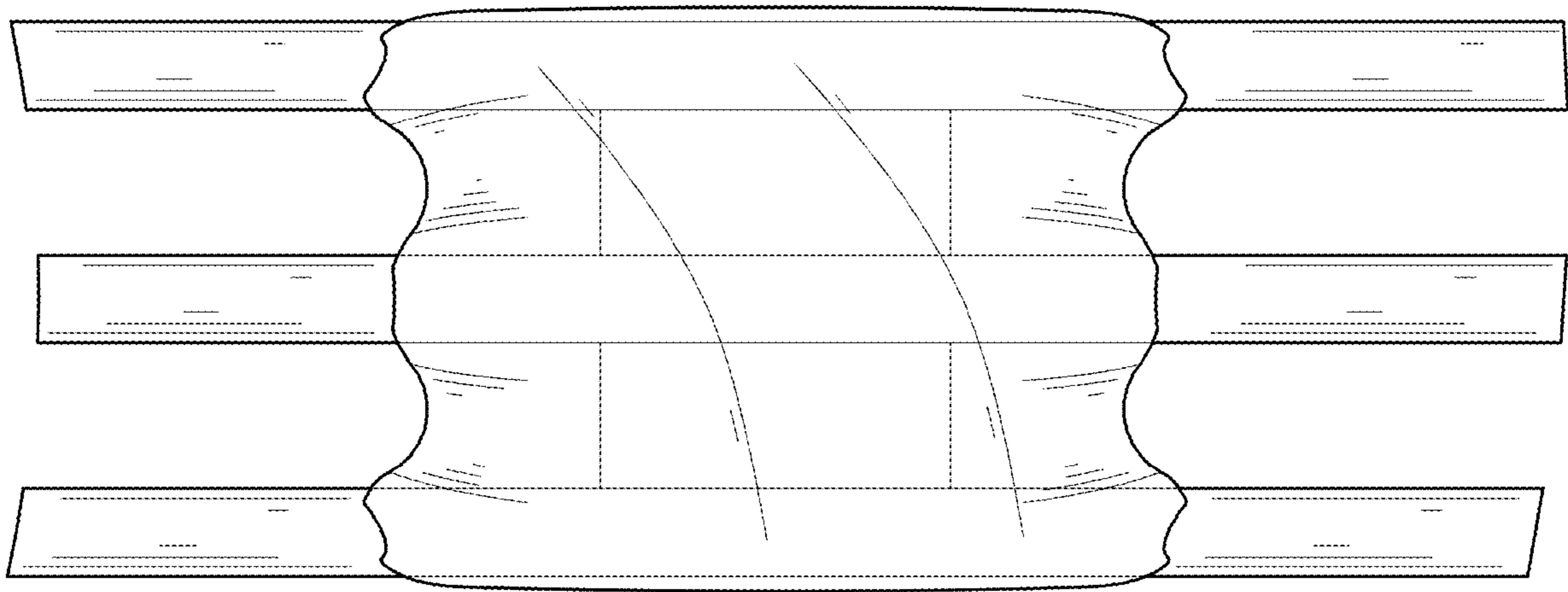


FIG. 12

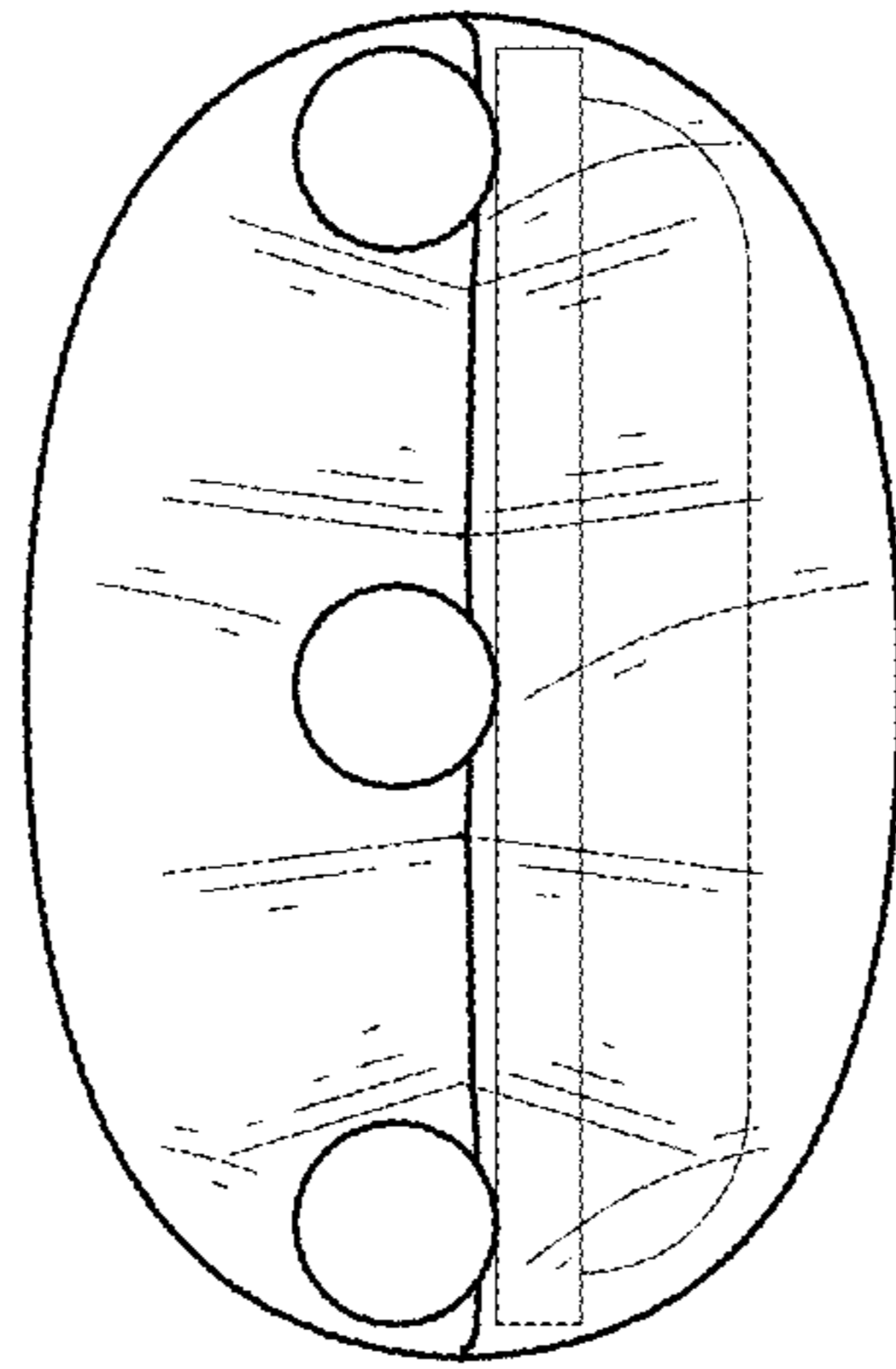


FIG. 13

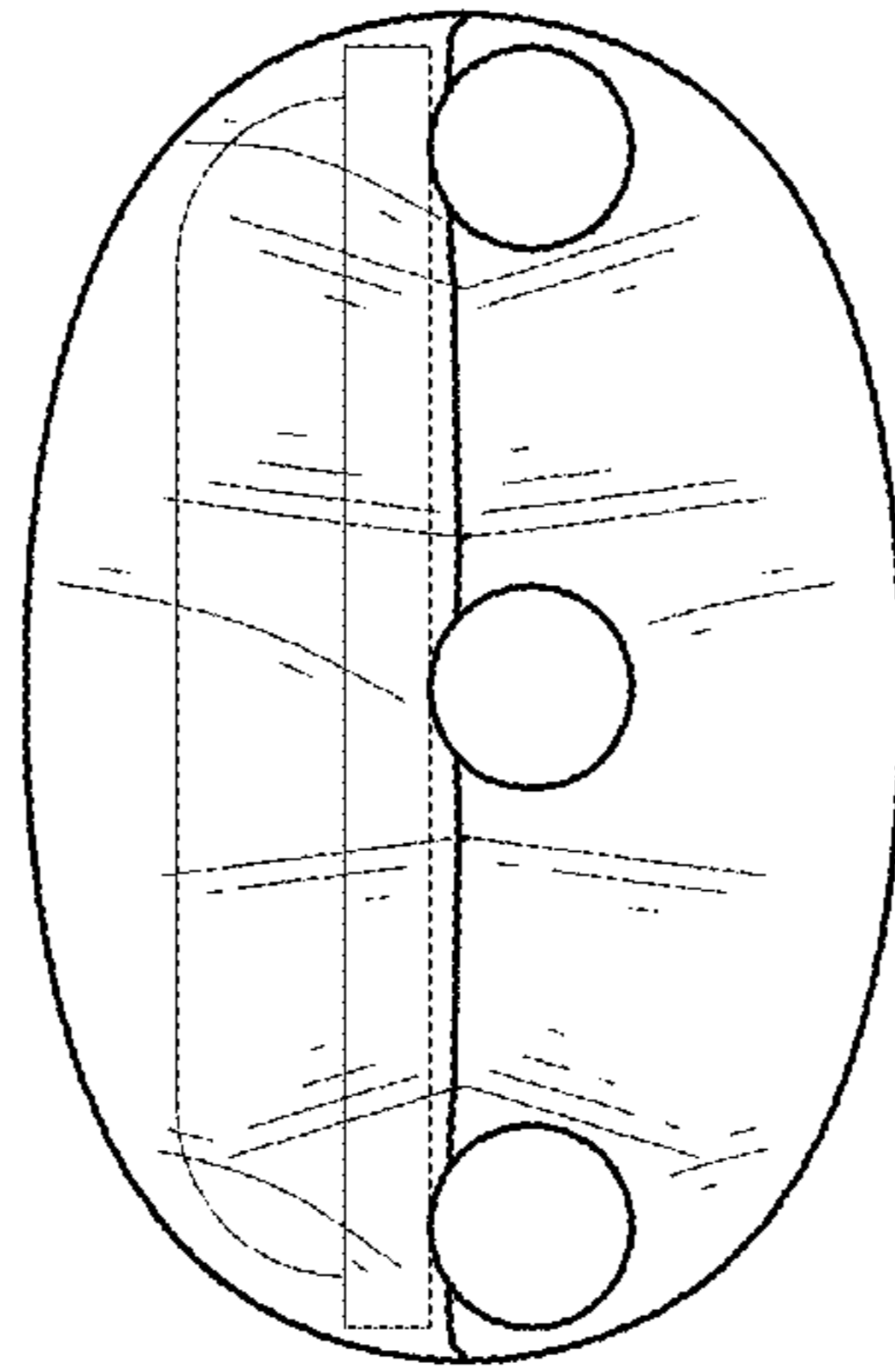


FIG. 14

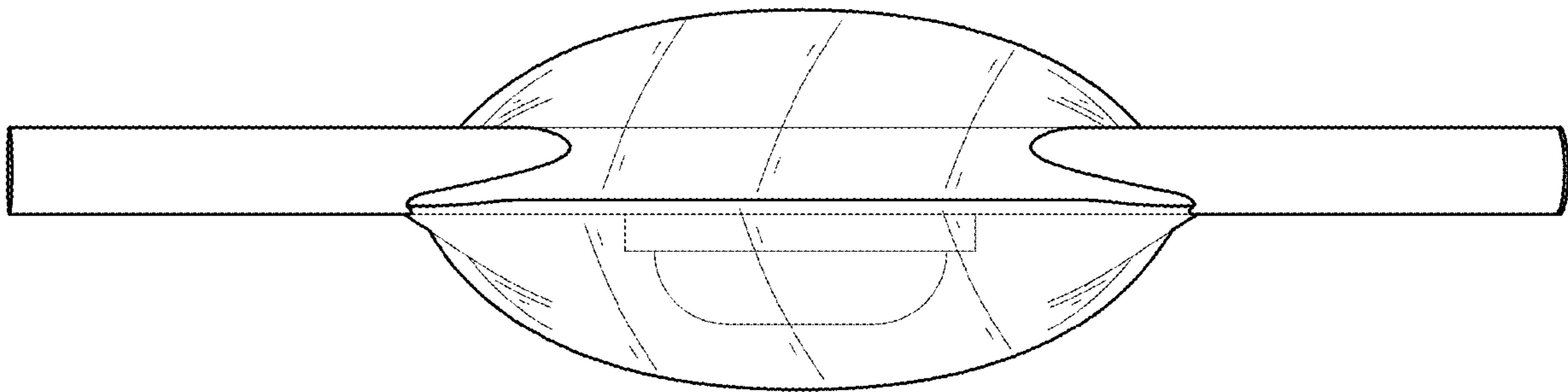


FIG.15

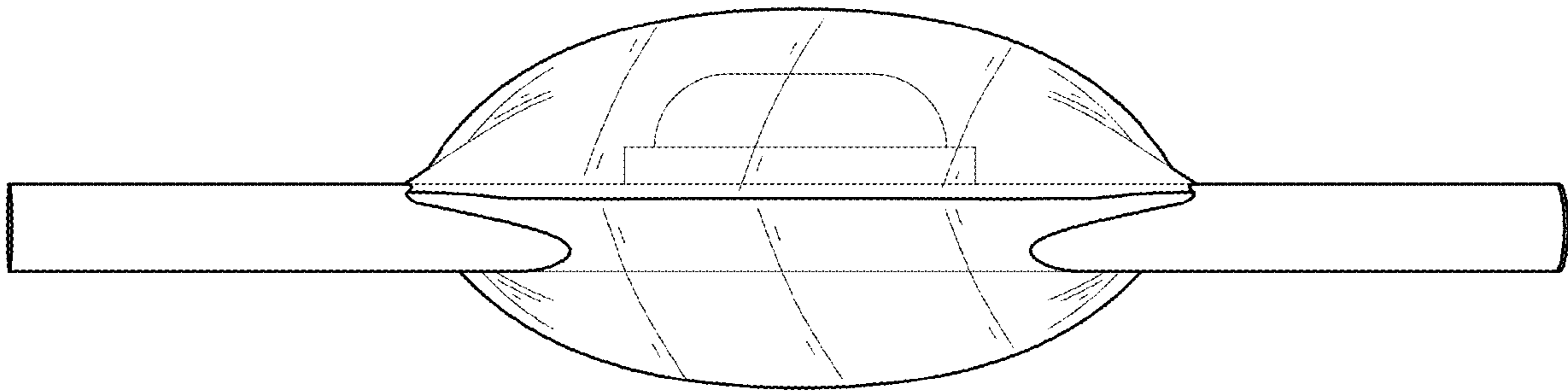


FIG. 16

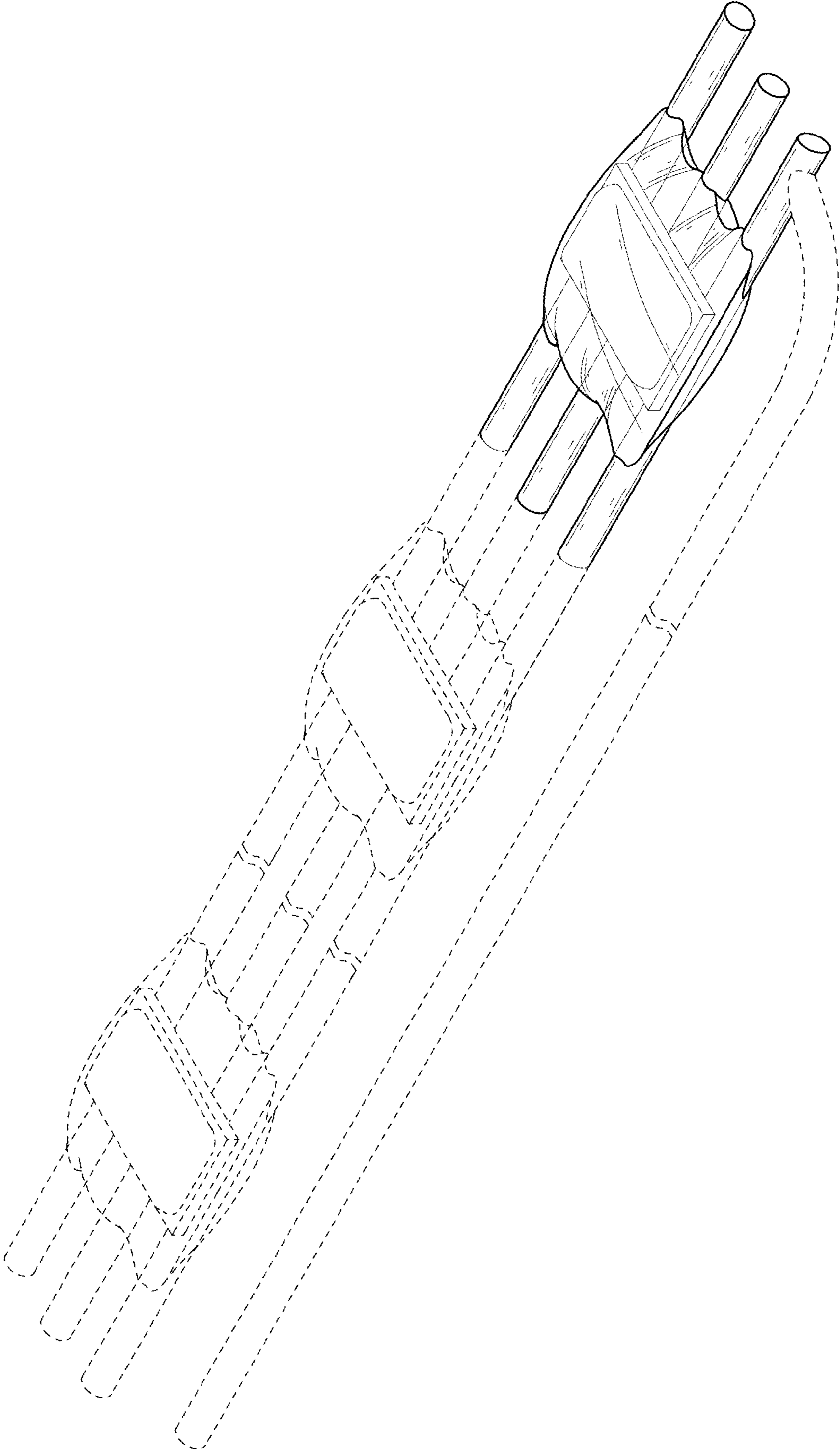


FIG. 17