



US00D888292S

(12) **United States Design Patent**
Yu et al.

(10) **Patent No.:** **US D888,292 S**
(45) **Date of Patent:** **** Jun. 23, 2020**

(54) **LED BULB FOR LIGHTING FIXTURE**

(71) Applicant: **ANTS ELECTRONICS LIMITED,**
Shenzhen (CN)

(72) Inventors: **Lijun Yu,** Shenzhen (CN); **Taiwei Xu,**
Shenzhen (CN)

(**) Term: **15 Years**

(21) Appl. No.: **29/687,924**

(22) Filed: **Apr. 17, 2019**

(51) **LOC (12) Cl.** **26-04**

(52) **U.S. Cl.**
USPC **D26/2**

(58) **Field of Classification Search**
USPC D26/1-4
CPC H01R 5/00; H01R 13/46; H01R 13/514;
H01R 31/048; H01R 31/02; H01J 5/00;
H01J 5/16; H01J 1/02; H01J 15/00; H01J
5/48; H01J 5/50; H01J 19/54; F21V 5/00;
F21K 9/13; F21K 9/135; F21K 9/1375
See application file for complete search history.

(56) **References Cited**

U.S. PATENT DOCUMENTS

D499,820 S * 12/2004 Foo D26/2
D508,575 S * 8/2005 Buschmann D26/2

D528,673 S * 9/2006 Maxik D26/2
D534,665 S * 1/2007 Egawa D26/2
D574,091 S * 7/2008 Sun D26/2
D589,175 S * 3/2009 Xue D26/2
D605,786 S * 12/2009 Lim D26/2

* cited by examiner

Primary Examiner — Marcus A Jackson
(74) *Attorney, Agent, or Firm* — ZANIP

(57) **CLAIM**

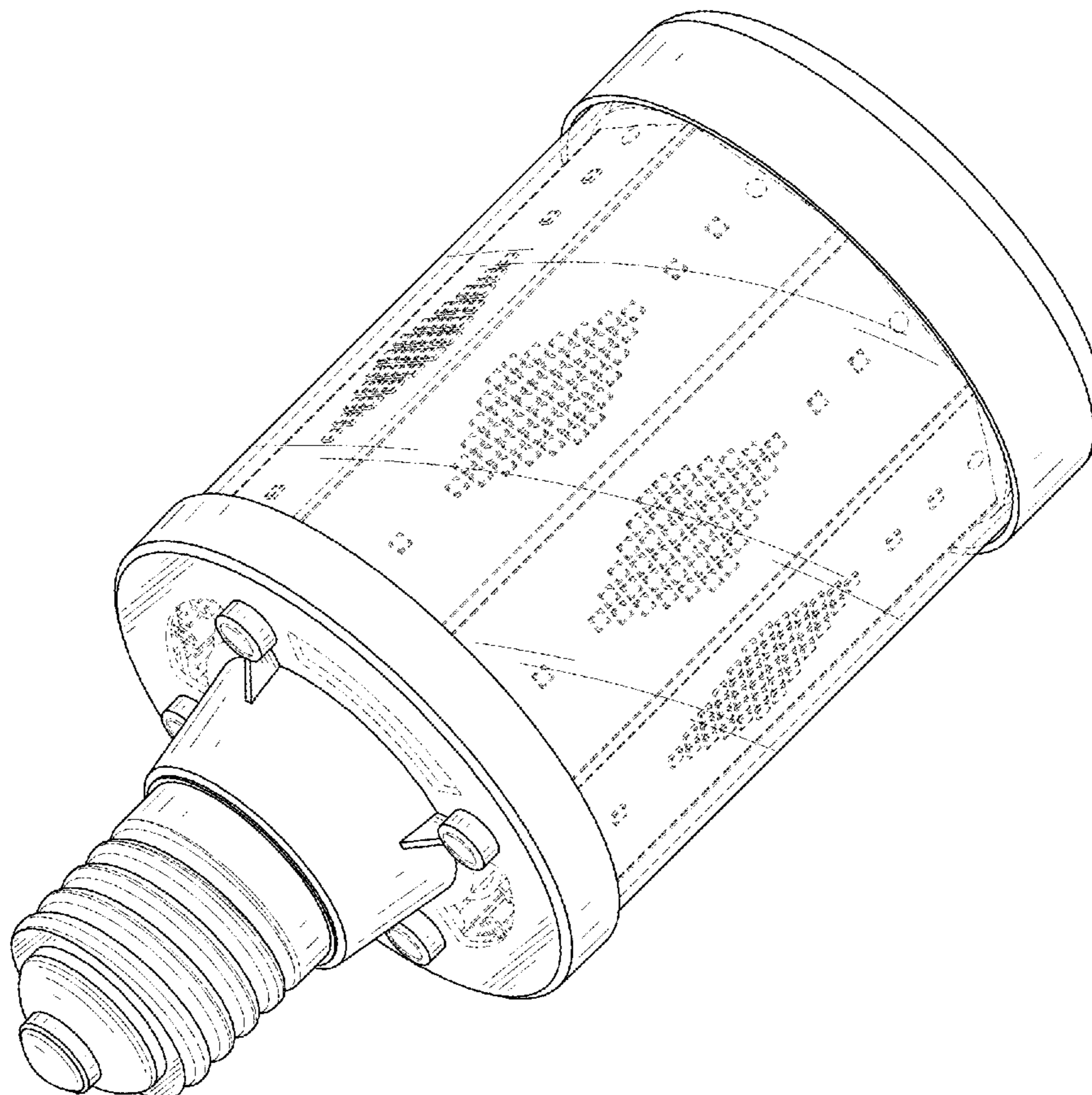
The ornamental design for an LED bulb for lighting fixture,
as shown and described.

DESCRIPTION

FIG. 1 is a first perspective view of an LED bulb for lighting
fixture showing my design;
FIG. 2 is a front view thereof;
FIG. 3 is a back view thereof;
FIG. 4 is a left side view thereof;
FIG. 5 is a right side view thereof;
FIG. 6 is a top view thereof; and,
FIG. 7 is a bottom view thereof.

The broken lines shown in the drawings depict portions of
the LED bulb for lighting fixture in which the design is
embodied that form no part of the claimed design.

1 Claim, 7 Drawing Sheets



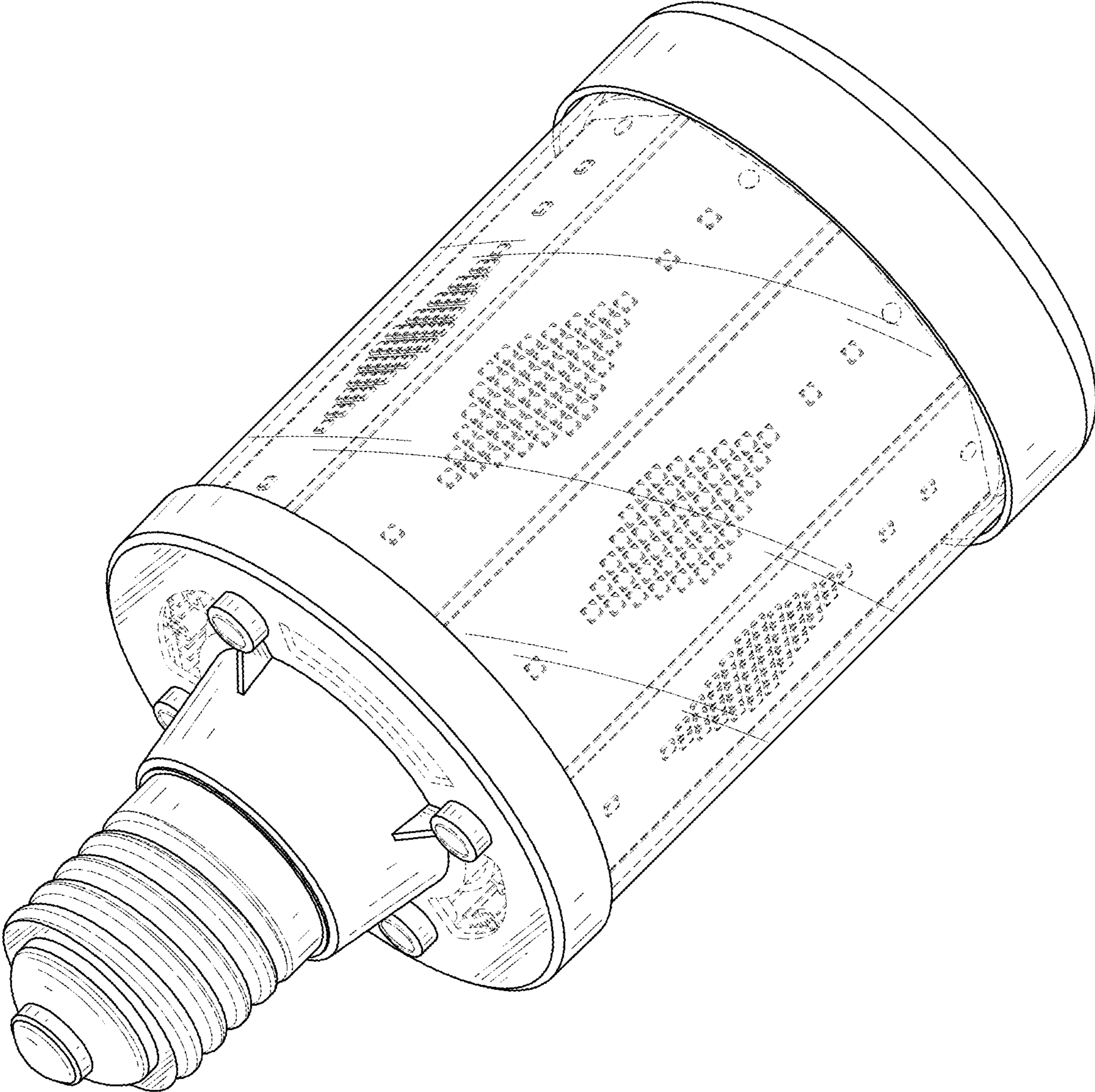


FIG. 1

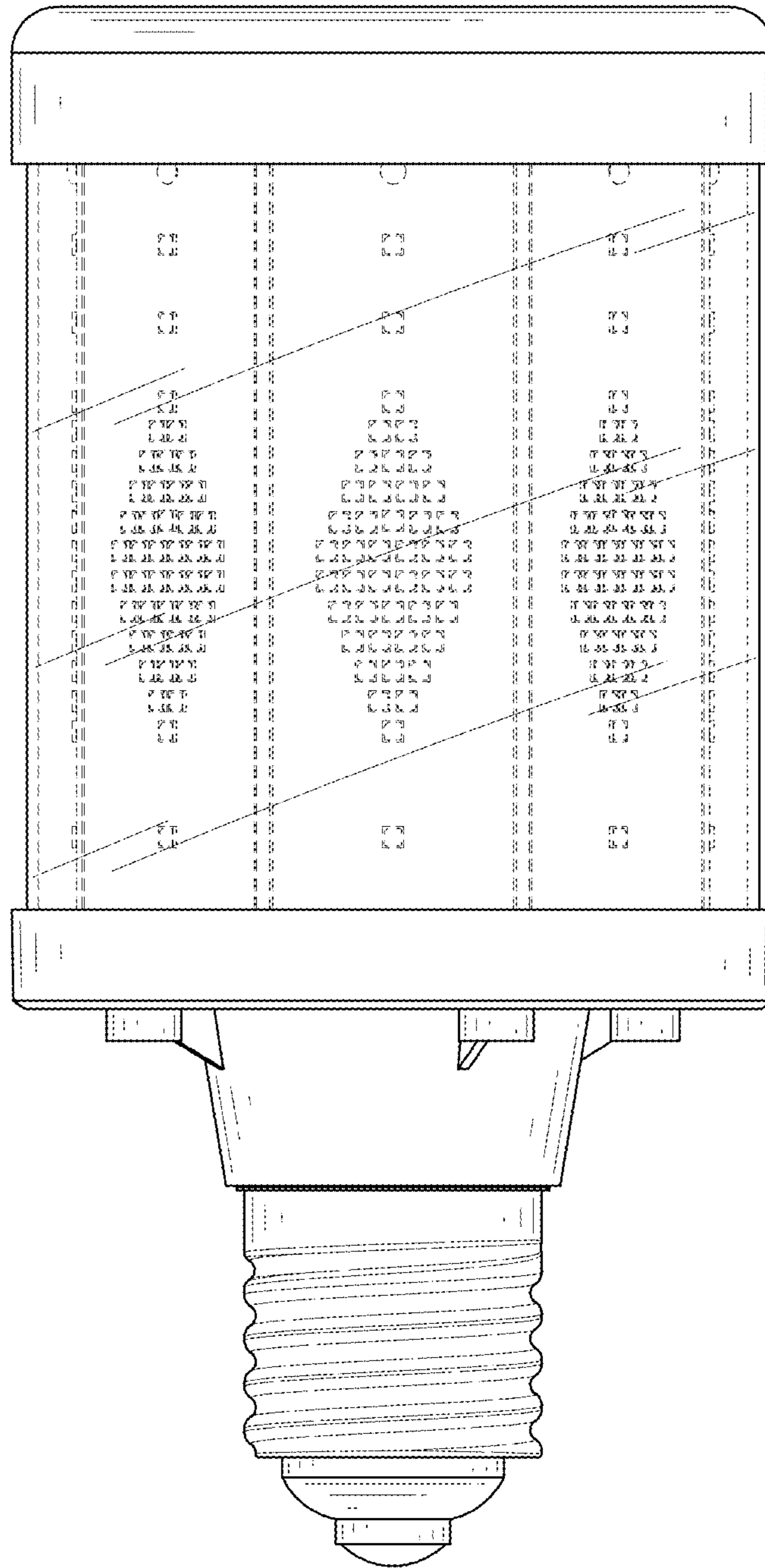


FIG. 2

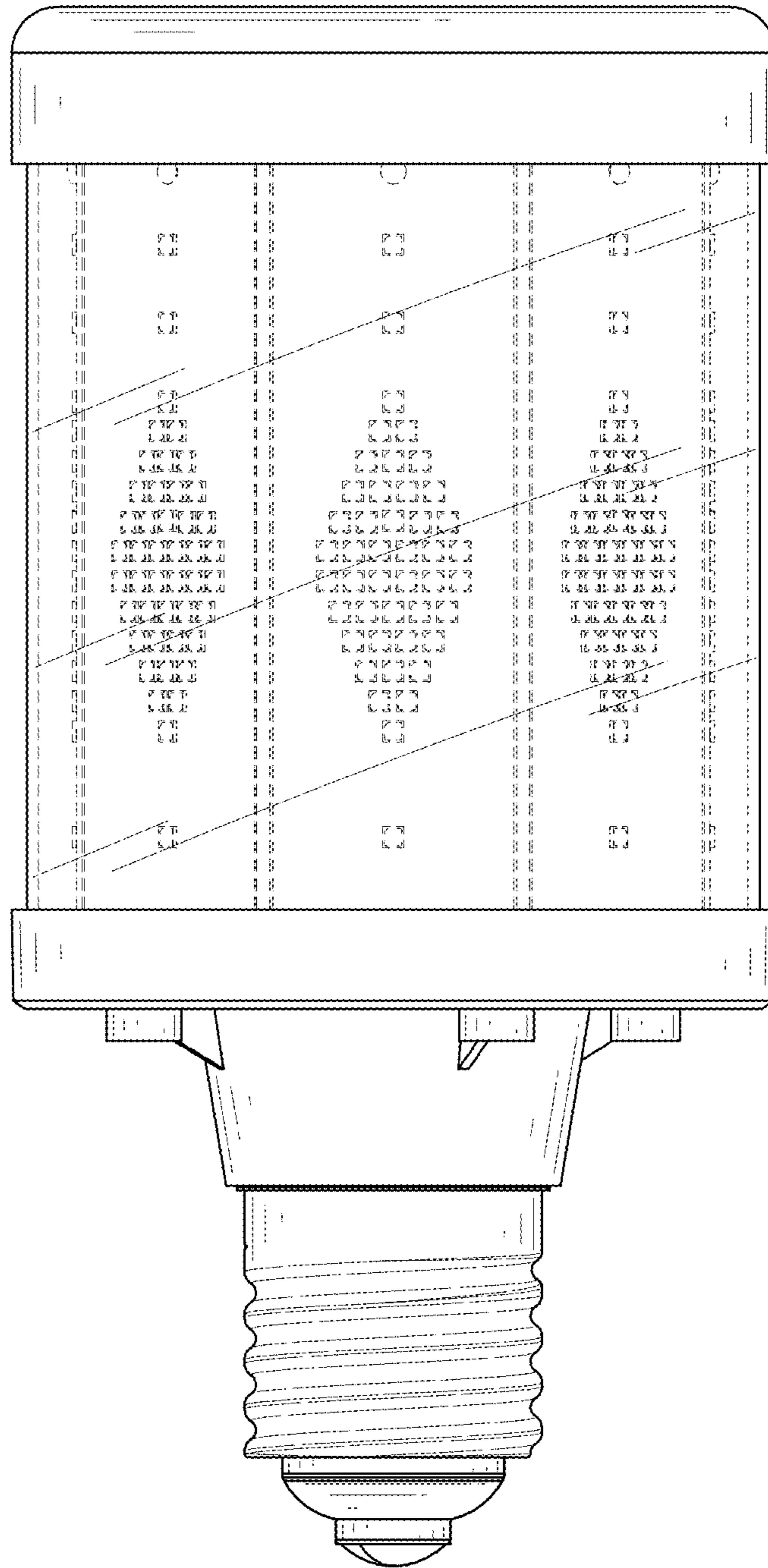


FIG. 3

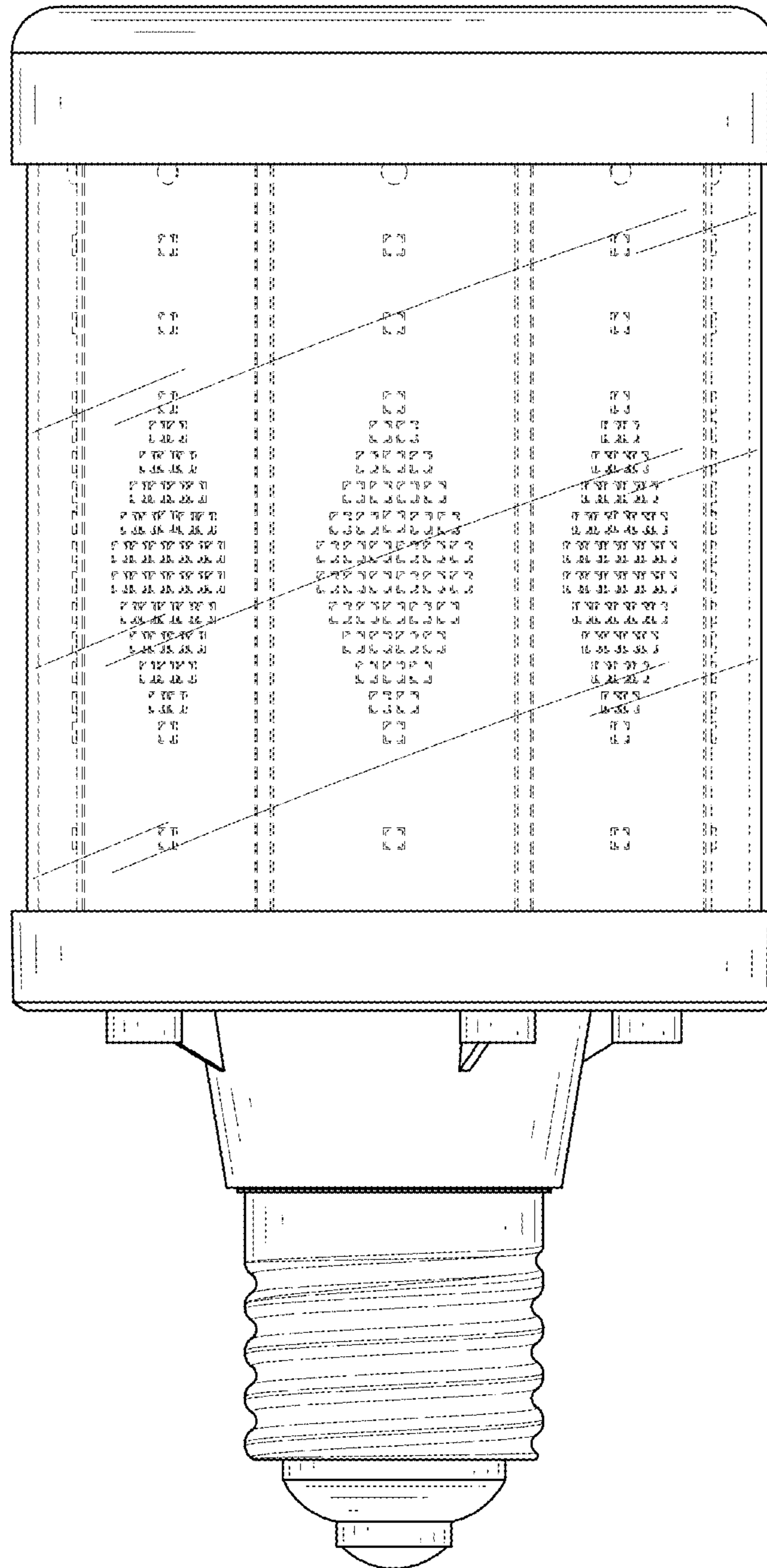


FIG. 4

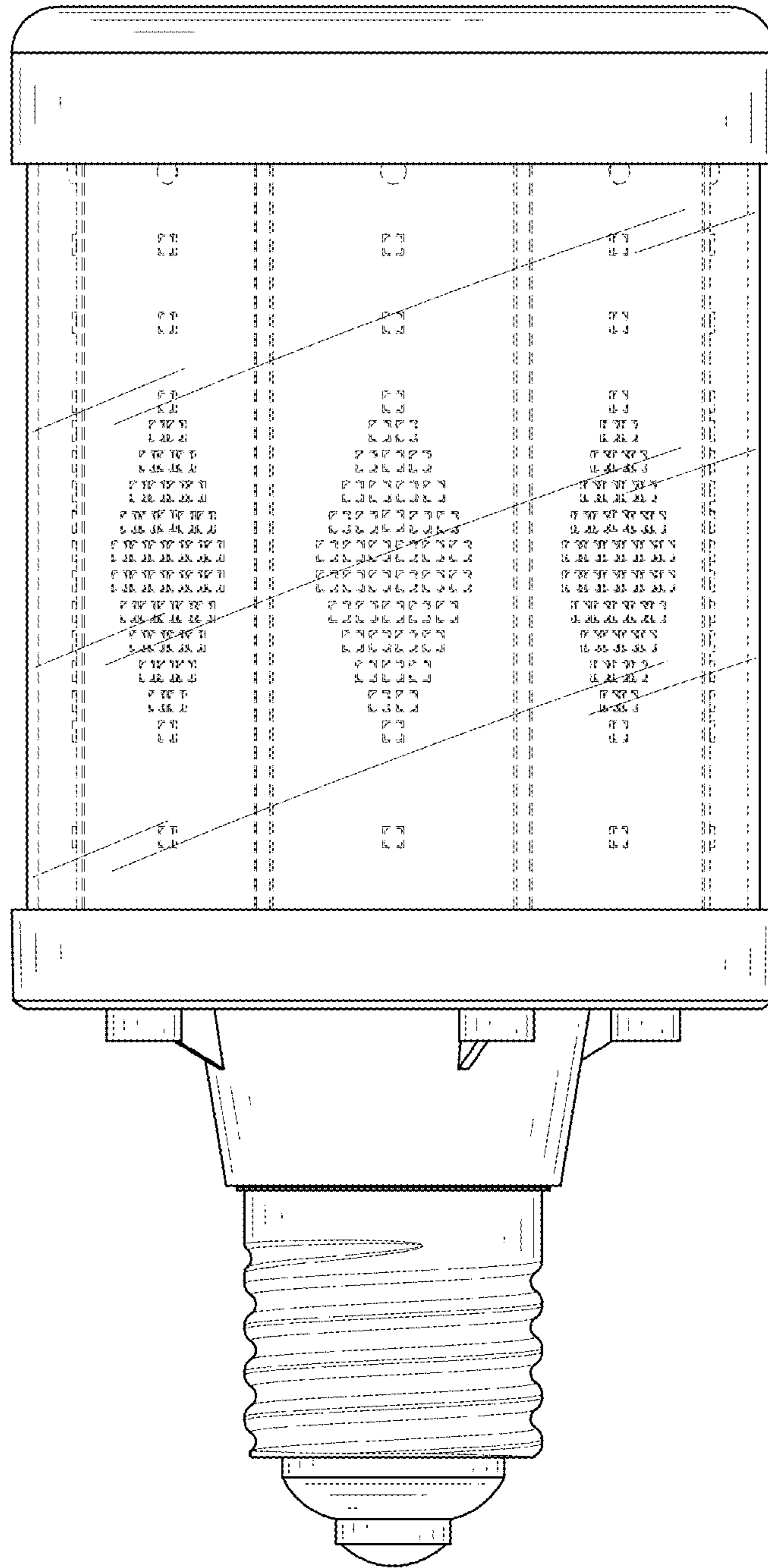


FIG. 5

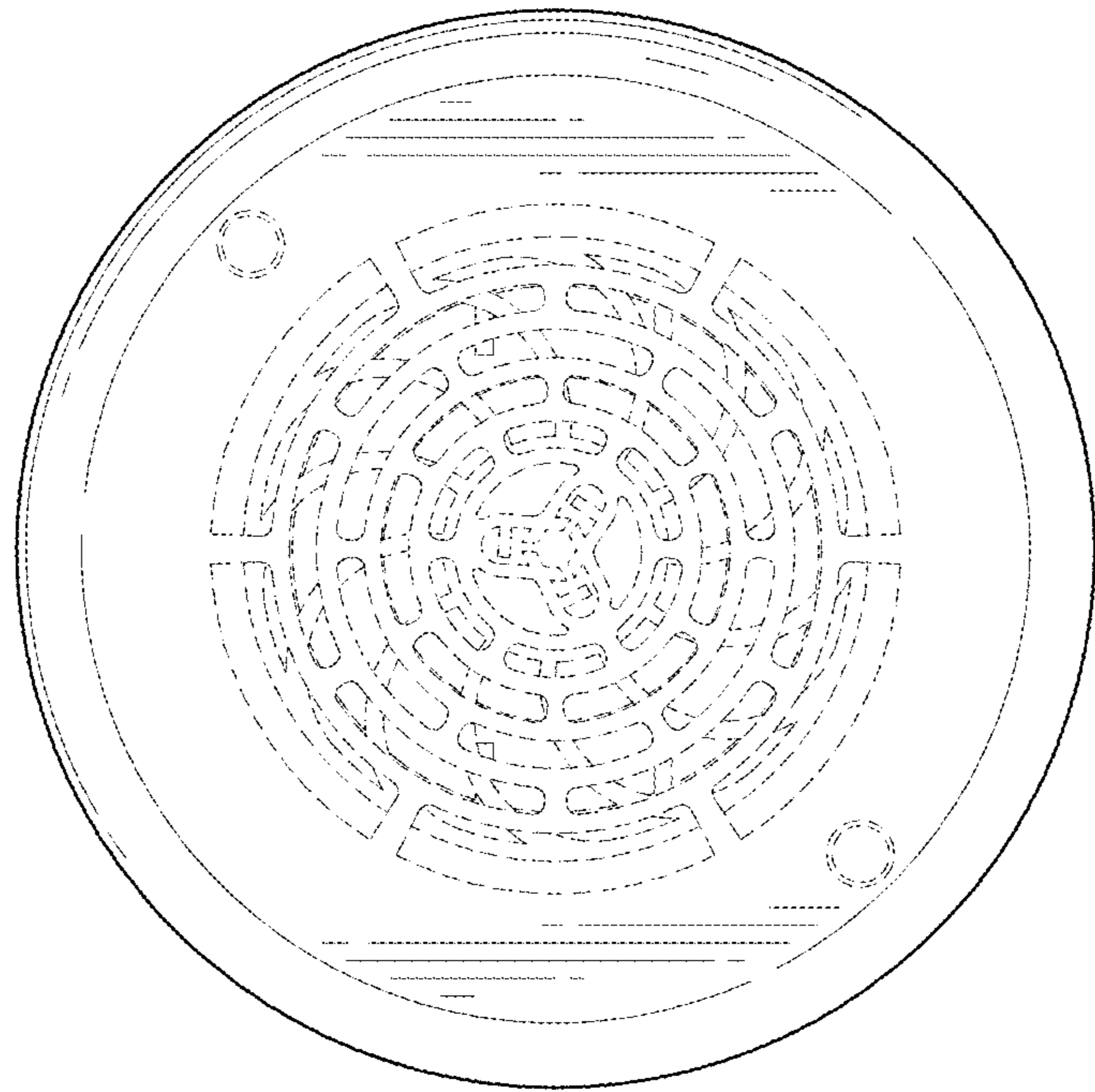


FIG. 6

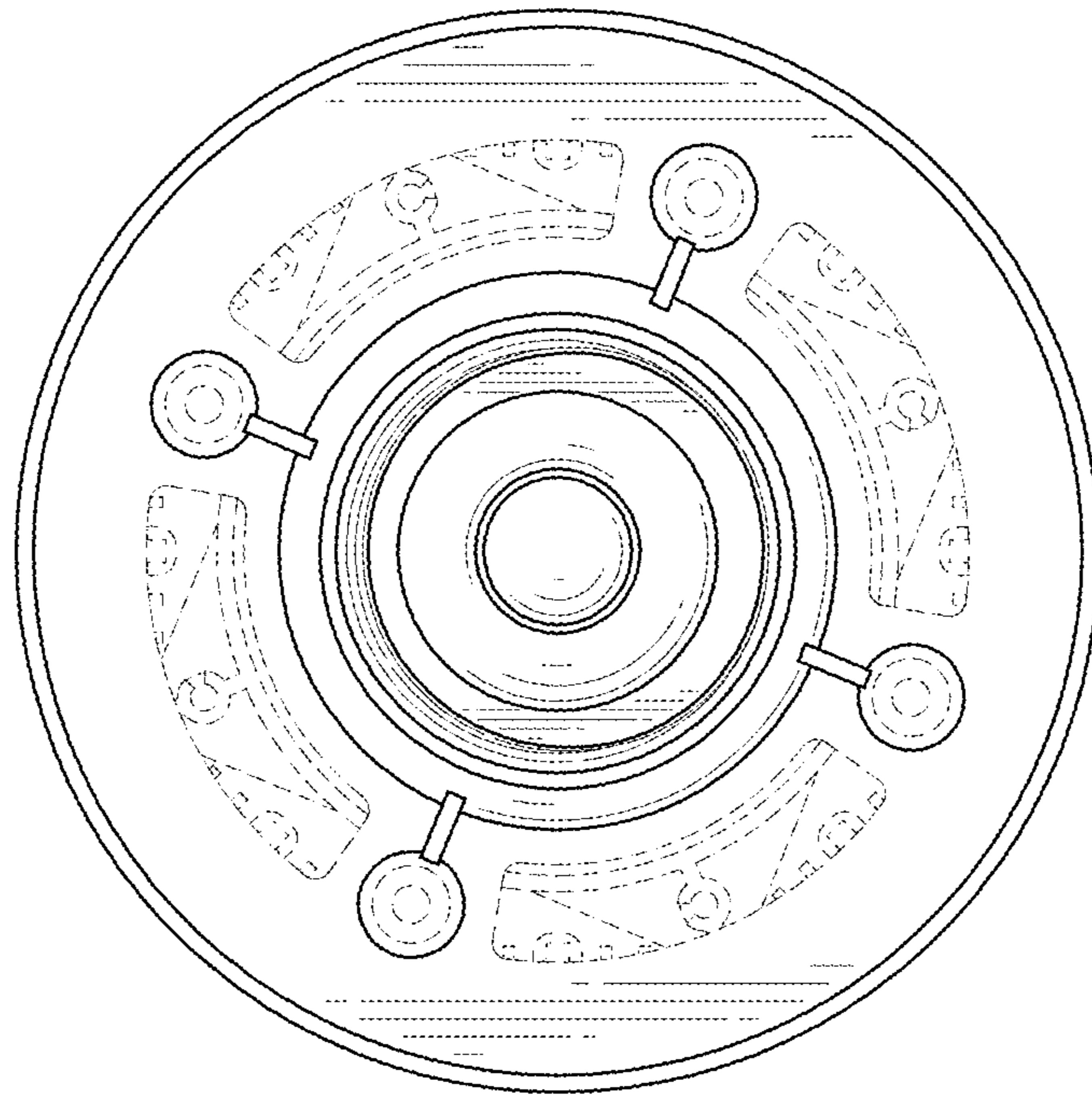


FIG. 7