



US00D888291S

(12) **United States Design Patent**
Pan et al.

(10) **Patent No.:** **US D888,291 S**
(45) **Date of Patent:** **** Jun. 23, 2020**

(54) **LED BULB**

(56) **References Cited**

(71) Applicants: **Haining Xincheng Electronics Co., LTD.**, Haining (CN); **Pingli Wang**, Haining (CN)
(72) Inventors: **Jianxin Pan**, Haining (CN); **Lian Wu**, Haining (CN); **Hongbo Li**, Haining (CN)

U.S. PATENT DOCUMENTS

D627,085 S	*	11/2010	Duan	D26/2
D629,929 S	*	12/2010	Chen	D26/2
D633,226 S	*	2/2011	Katsaros	D26/2
D634,451 S	*	3/2011	de Visser	D26/2
D642,704 S	*	8/2011	Hagens	D26/2
D692,596 S	*	10/2013	Webb	D26/2

(**) Term: **15 Years**

* cited by examiner

(21) Appl. No.: **29/678,249**

Primary Examiner — Marcus A Jackson

(22) Filed: **Jan. 28, 2019**

(74) *Attorney, Agent, or Firm* — Bayramoglu Law Offices LLC

(30) **Foreign Application Priority Data**

(57) **CLAIM**

Dec. 28, 2018 (CN) 2018 3 0765853

The ornamental design for a LED bulb, as shown and described.

(51) **LOC (12) Cl.** **26-06**

DESCRIPTION

(52) **U.S. Cl.**
USPC **D26/2**

FIG. 1 is a perspective view of a LED bulb showing the new design;

(58) **Field of Classification Search**
USPC D26/1-4

FIG. 2 is a front view thereof;

CPC H01R 5/00; H01R 13/56; H01R 13/514; H01R 31/048; H01R 31/02; H01J 5/00; H01J 5/16; H01J 1/02; H01J 15/00; H01J 5/48; H01J 5/50; H01J 19/54; F21V 5/00; F21K 9/13; F21K 9/135; F21K 9/1375

FIG. 3 is a rear view thereof;

FIG. 4 is a left side view thereof;

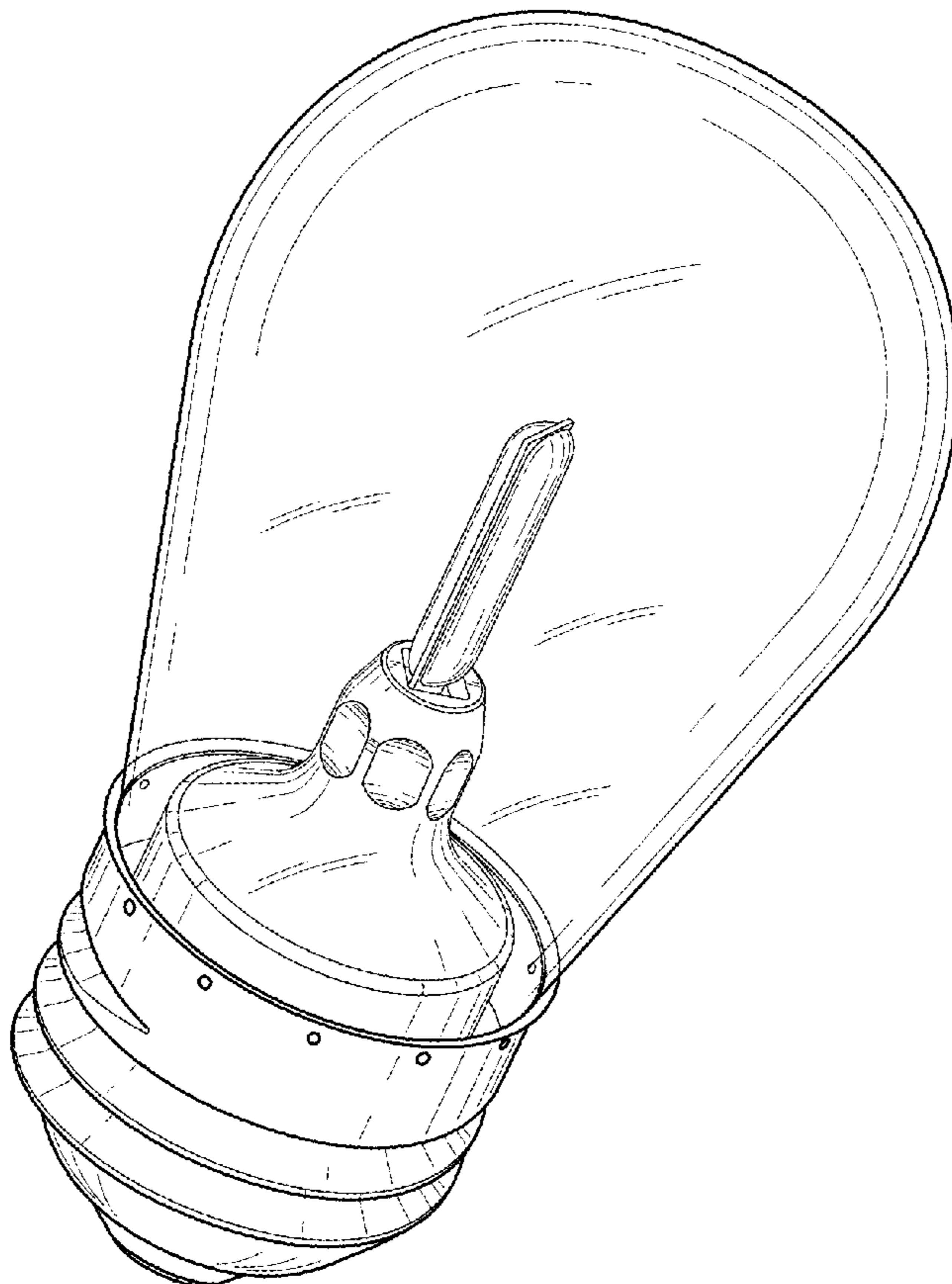
FIG. 5 is a right side view thereof;

FIG. 6 is a top view thereof; and,

FIG. 7 is a bottom view thereof.

See application file for complete search history.

1 Claim, 7 Drawing Sheets



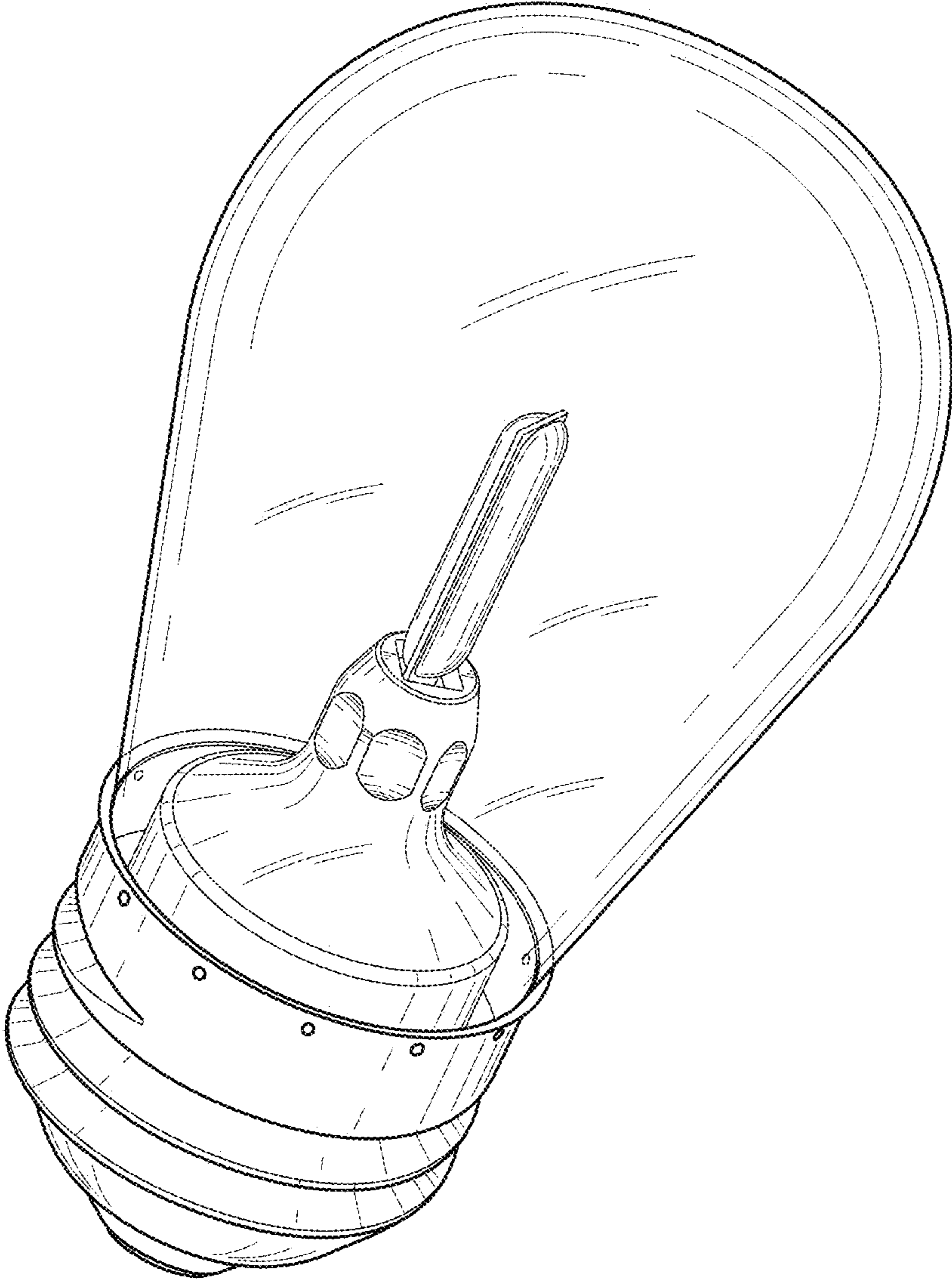


Fig. 1

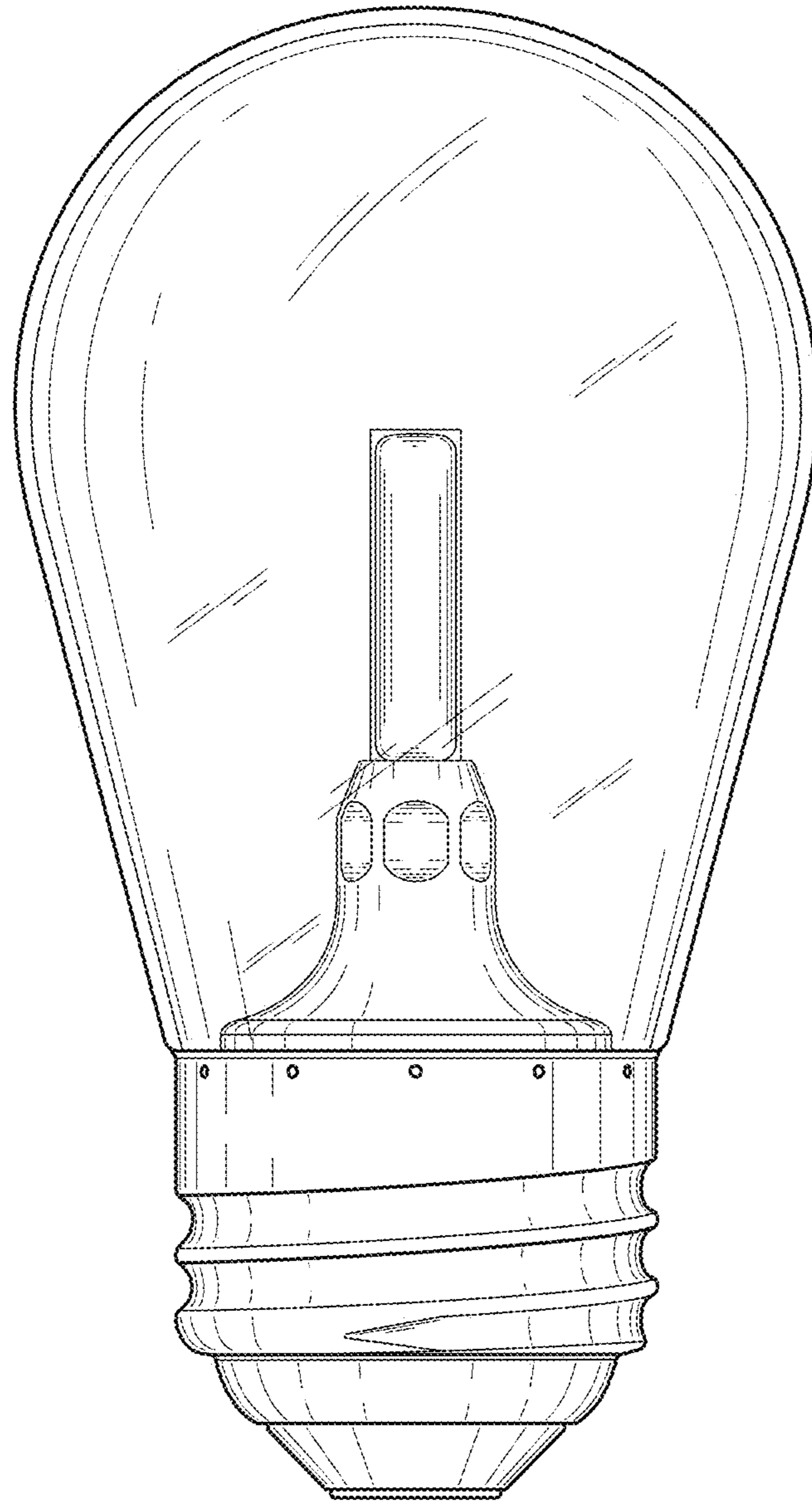


Fig. 2

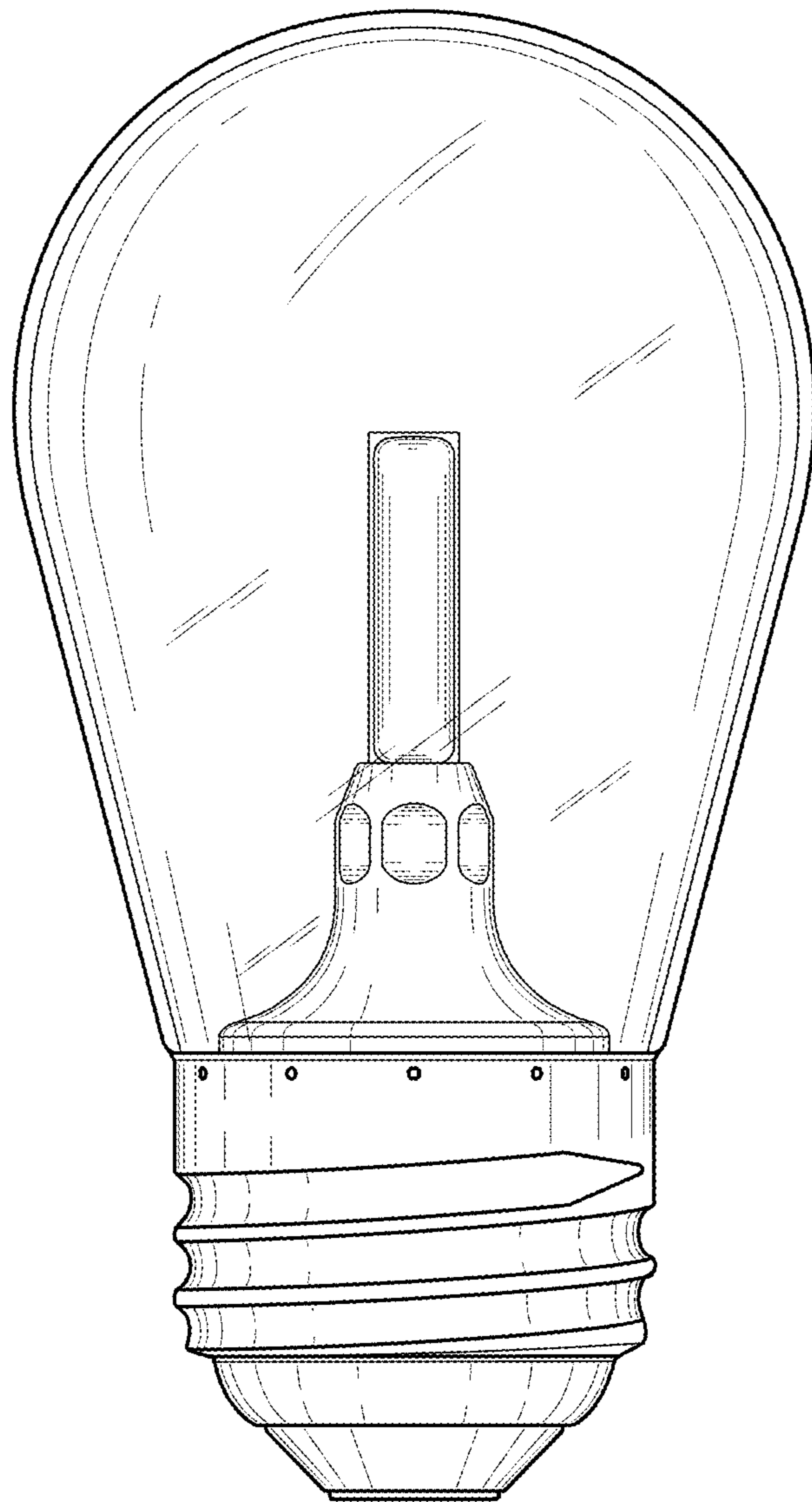


Fig. 3

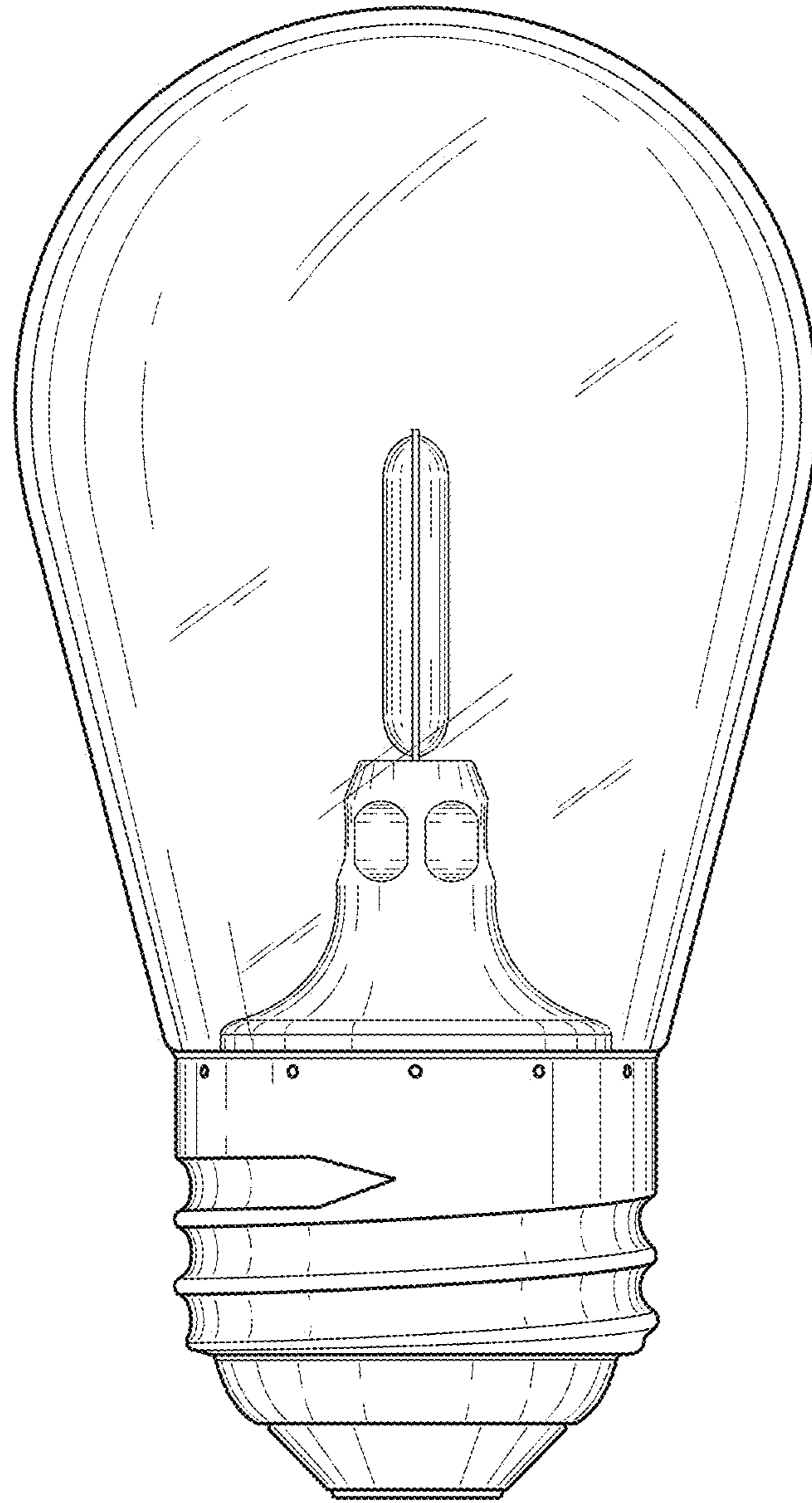


Fig. 4

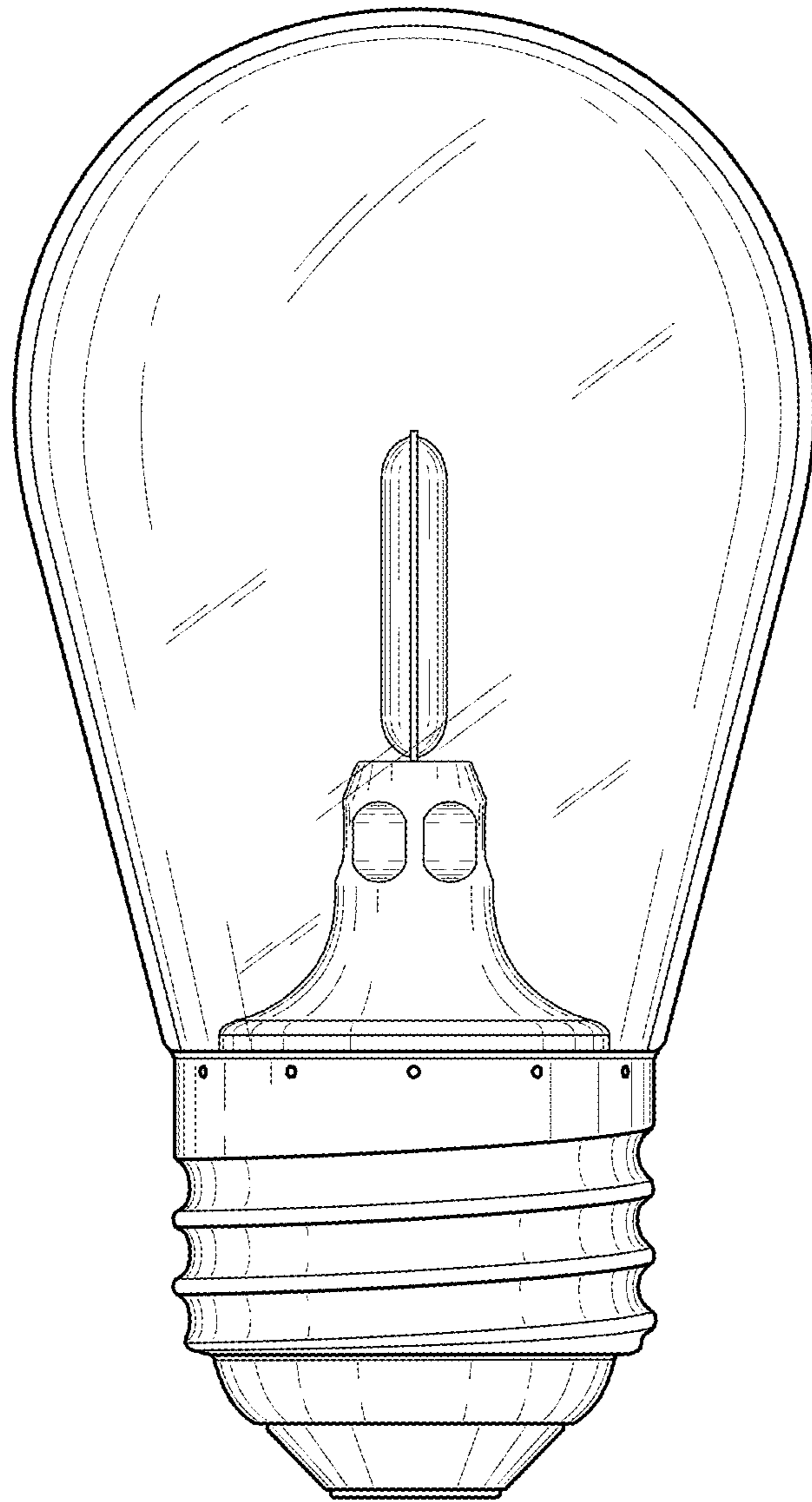


Fig. 5

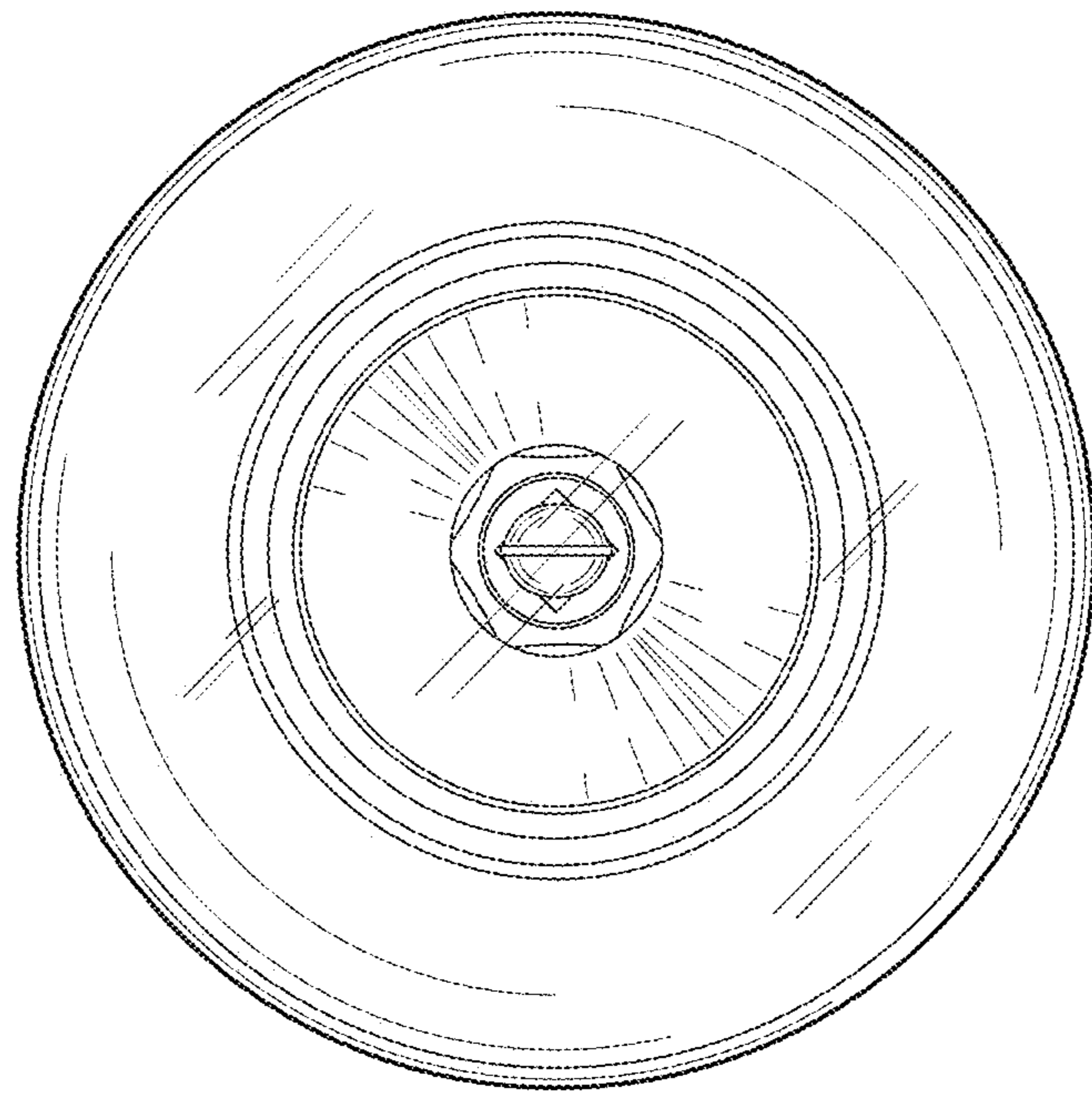


Fig. 6

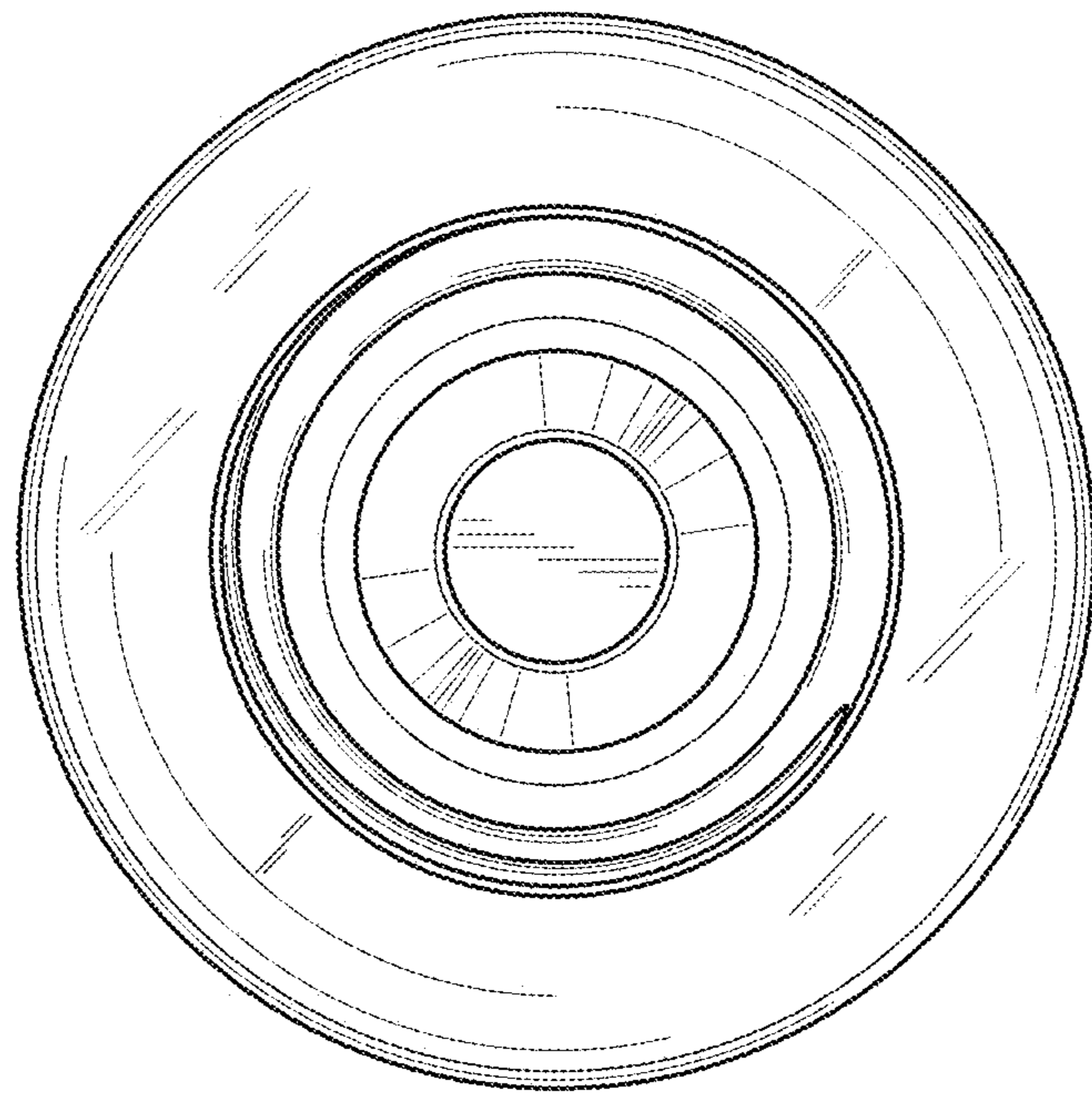


Fig. 7