



US00D888290S

(12) **United States Design Patent** (10) **Patent No.:** **US D888,290 S**  
**Shaw et al.** (45) **Date of Patent:** **\*\* Jun. 23, 2020**

(54) **MOUNTING STRIP WITH SPRING ASSEMBLY**

(71) Applicant: **InPro Corporation**, Muskego, WI (US)

(72) Inventors: **Alan Shaw**, Lockport, NY (US);  
**George Matthew Fisher**, New Berlin, WI (US); **Matthew G. Bennett**, New Berlin, WI (US)

(73) Assignee: **InPro Corporation**, Muskego, WI (US)

(\*\*) Term: **15 Years**

(21) Appl. No.: **29/683,158**

(22) Filed: **Mar. 11, 2019**

**Related U.S. Application Data**

(60) Division of application No. 29/596,984, filed on Mar. 13, 2017, now Pat. No. Des. 848,036, which is a  
(Continued)

(51) **LOC (12) Cl.** ..... **25-01**

(52) **U.S. Cl.**  
USPC ..... **D25/199**

(58) **Field of Classification Search**  
USPC ..... D25/119, 124, 164, 199  
(Continued)

(56) **References Cited**

**U.S. PATENT DOCUMENTS**

2,974,383 A \* 3/1961 Bright ..... B60J 10/32  
24/564  
D262,068 S \* 11/1981 Wilson ..... D25/199  
(Continued)

**FOREIGN PATENT DOCUMENTS**

CA 2691821 7/2011  
CA 2631207 5/2016  
(Continued)

**OTHER PUBLICATIONS**

InPro Joint Master 900 and F520 Series F140-FL <https://www.inprocorp.com/globalassets/resource-documents/f140-fl.pdf> Dec. 20, 2017 (Year: 2017).\*

(Continued)

*Primary Examiner* — Leanne Was-Englehart  
(74) *Attorney, Agent, or Firm* — Reinhart Boerner Van Deuren s.c.

(57) **CLAIM**

We claim the ornamental design for a mounting strip with spring assembly, as shown and described.

**DESCRIPTION**

FIG. 1 is a front perspective view from above of a mounting strip with spring assembly of the spring being shown in a compressed, biased position;

FIG. 2 is a top perspective view of the claimed design of FIG. 1;

FIG. 3 is a perspective view from below of the claimed design of FIG. 1;

FIG. 4 is a right side view of the claimed design of FIG. 1;

FIG. 5 is a left side view of the claimed design of FIG. 1;

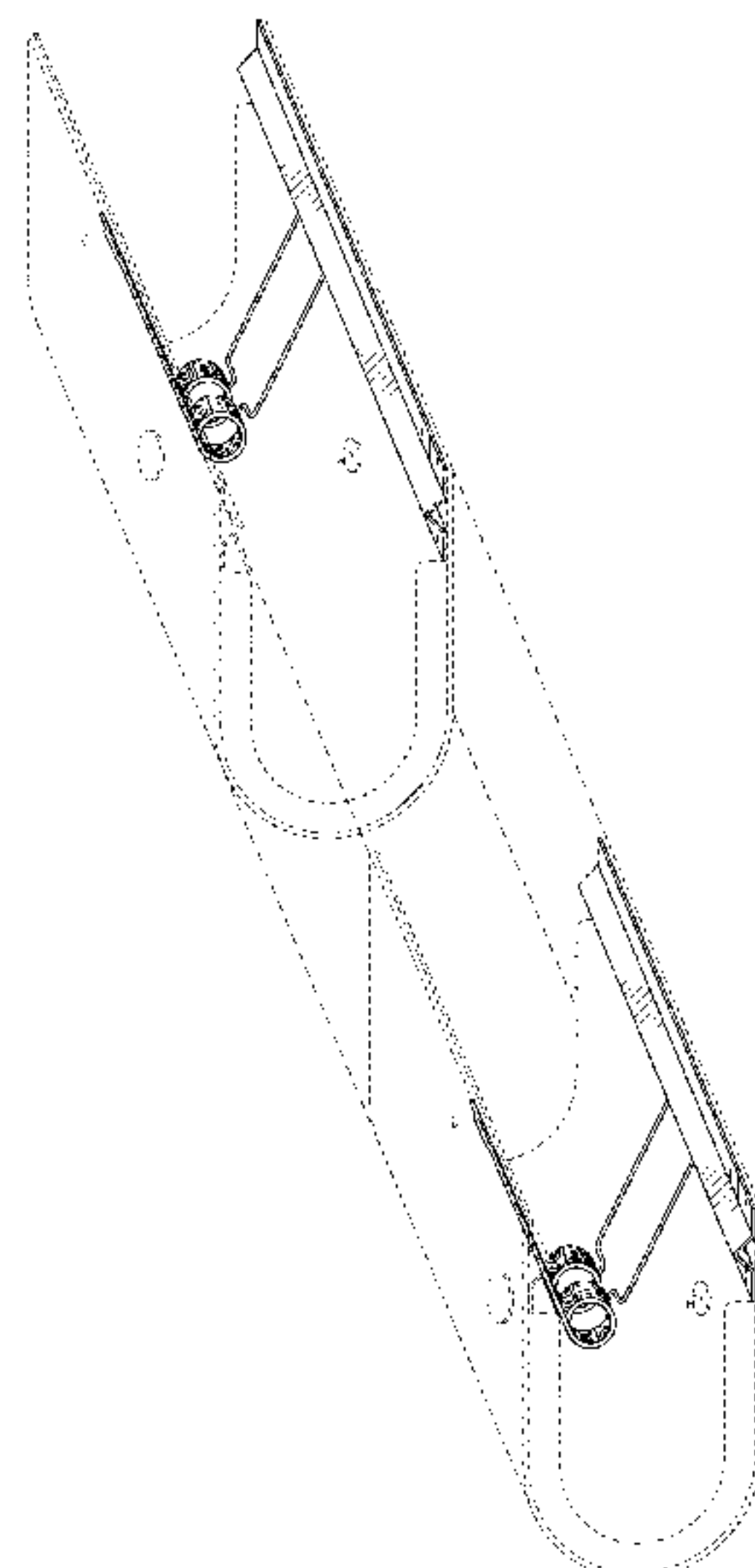
FIG. 6 is a top view of the claimed design of FIG. 1;

FIG. 7 is a bottom view of the claimed design of FIG. 1;

FIG. 8 is a front view of the claimed design of FIG. 1; and, FIG. 9 is an exploded view of the mounting strip with spring assembly of FIG. 1, the spring being shown in an uncompressed, unbiased position.

The broken lines depict portions of the mounting strip with spring assembly that form no part of the claimed design. The dot dash lines in the drawings depict a symbolic break. The portion between the break lines forms no part of the claimed design.

**1 Claim, 7 Drawing Sheets**



**Related U.S. Application Data**

continuation-in-part of application No. PCT/US2017/014735, filed on Jan. 24, 2017.

(58) **Field of Classification Search**

CPC ..... E04B 1/948; E04B 1/6813  
See application file for complete search history.

2008/0263980 A1 10/2008 Shaw  
2010/0319287 A1\* 12/2010 Shaw ..... E04B 1/948  
52/396.01  
2012/0117900 A1 5/2012 Shaw  
2012/0272597 A1\* 11/2012 Hilburn, Jr. .... E04B 1/948  
52/232  
2012/0297709 A1\* 11/2012 Hilburn ..... E04B 1/948  
52/232

(56) **References Cited**

U.S. PATENT DOCUMENTS

D271,905 S \* 12/1983 Golden ..... D25/124  
4,811,529 A 3/1989 Harris et al.  
5,140,797 A 8/1992 Gohlke et al.  
5,263,293 A 11/1993 Gohlke et al.  
5,461,838 A \* 10/1995 Heller ..... E04B 1/948  
52/167.1  
5,765,332 A 6/1998 Landin et al.  
5,974,750 A 11/1999 Landin et al.  
6,112,488 A \* 9/2000 Olson ..... E04B 1/948  
52/167.1  
6,128,874 A \* 10/2000 Olson ..... E04B 1/948  
52/232  
6,131,352 A \* 10/2000 Barnes ..... E04B 1/948  
52/396.01  
D463,581 S \* 9/2002 Mann ..... D25/119  
7,856,781 B2 12/2010 Hilburn  
7,941,981 B2 5/2011 Shaw  
8,079,190 B2 12/2011 Hilburn  
8,082,715 B2 12/2011 Shaw  
8,245,471 B2 8/2012 Hilburn  
8,397,453 B2 3/2013 Shaw  
8,464,485 B2 6/2013 Hilburn  
8,607,519 B2 12/2013 Hilburn  
8,646,235 B2 2/2014 Hilburn  
8,935,897 B2 1/2015 Shaw  
9,845,597 B1 \* 12/2017 Shaw ..... E04B 1/94  
D848,036 S \* 5/2019 Shaw ..... E04B 1/94  
D25/199  
2005/0066600 A1 3/2005 Moulton  
2008/0172960 A1\* 7/2008 Hilburn ..... E04B 1/948  
52/232

FOREIGN PATENT DOCUMENTS

CA 2640007 2/2017  
CN 3272321 \* 1/2003  
WO WO 2018/139989 8/2018

OTHER PUBLICATIONS

Balco, Inc., product publication for Metaflex 5000 MetaMat Floor Fire Barrier, Oct. 31, 2011, 4 pages.  
Meishuo Building Material, excerpt from a publication for fire barrier, publicly available at least by Nov. 17, 2015.  
Balco, Inc. website material, MetaMat 2 Hour Floor, available at [http://balcousa.com/product\\_category/expansion-joint-covers/fire-barriers/floor-fire-barrier/metamat-floor-fire-barrier/metamat-2-hour-floor/](http://balcousa.com/product_category/expansion-joint-covers/fire-barriers/floor-fire-barrier/metamat-floor-fire-barrier/metamat-2-hour-floor/), illustrating products publicly available at least by Jan. 17, 2017, 8 pages.  
International Search Report and Written Opinion for International Application No. PCT/US2017/014735, dated Sep. 22, 2017, 12 pages.  
<https://www.inprocorp.com/jointmaster-expansion-joint-systems/architectural-building-applications/fire-barrier-systems/fire-blanket-systems/fireline-140#documents-downloads> Jan. 11, 2018 (Year: 2018).  
<https://easternus.azureedge.net/~media/Inpro/TDM%20Files/Documents/F/1/4/0/1/F1401M%20FIRE%20BARRIER%20WALLSCADJM193REV1pdf.ashx?modified=20180210090855> Feb. 10, 2018 (Year: 2018).  
<https://easternus.azureedge.net/~media/Inpro/TDM%20Files/Documents/F/1/4/0/1/F1401M2%20FIRE%20BARRIER%20FLOORSCADJM193REV1pdf.ashx?modified=20180210090853> Feb. 10, 2018 (Year: 2018).

\* cited by examiner

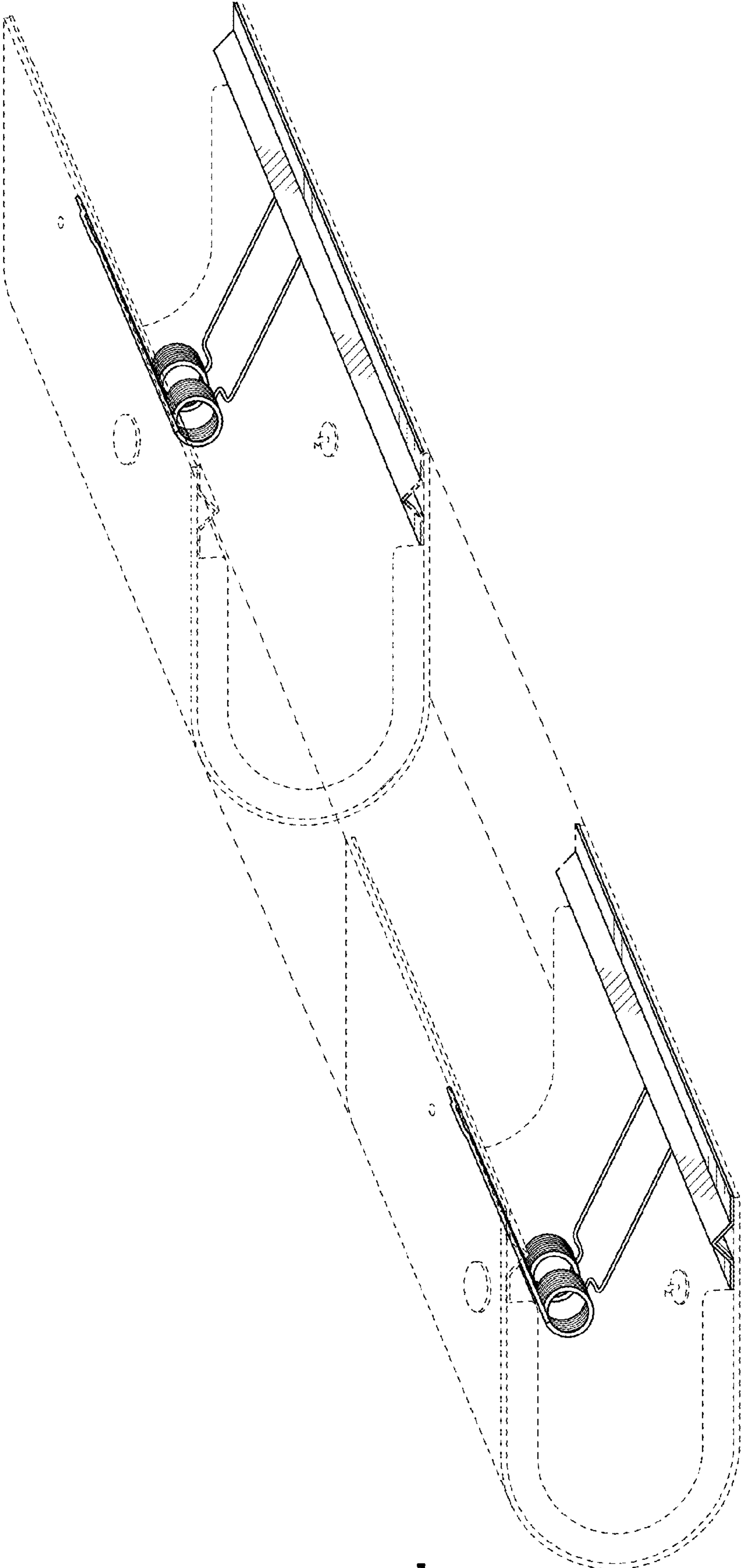


FIG. 1



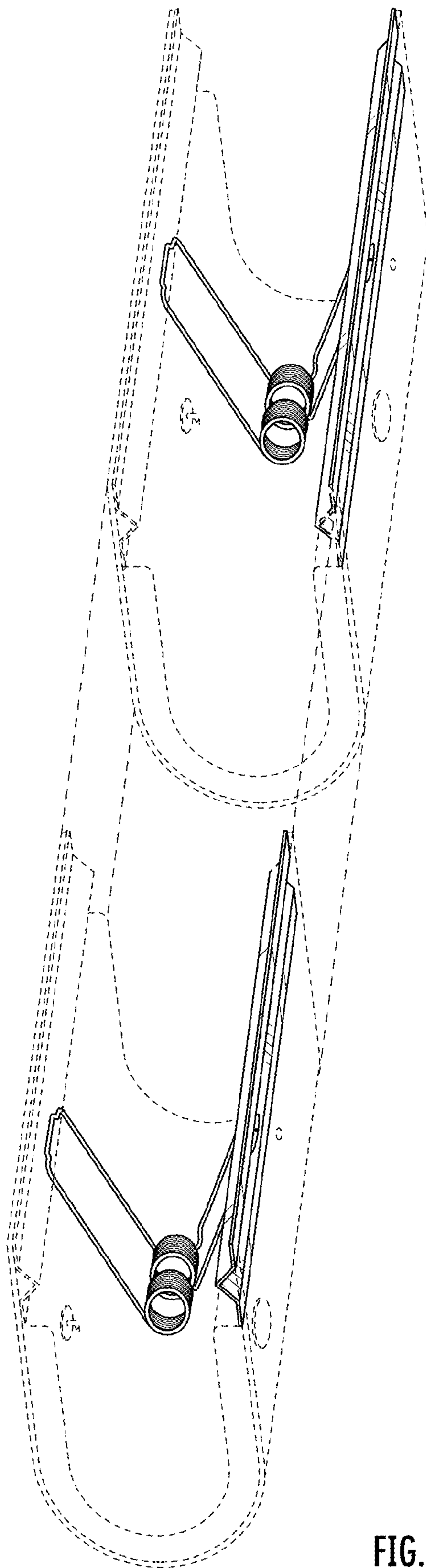


FIG. 2

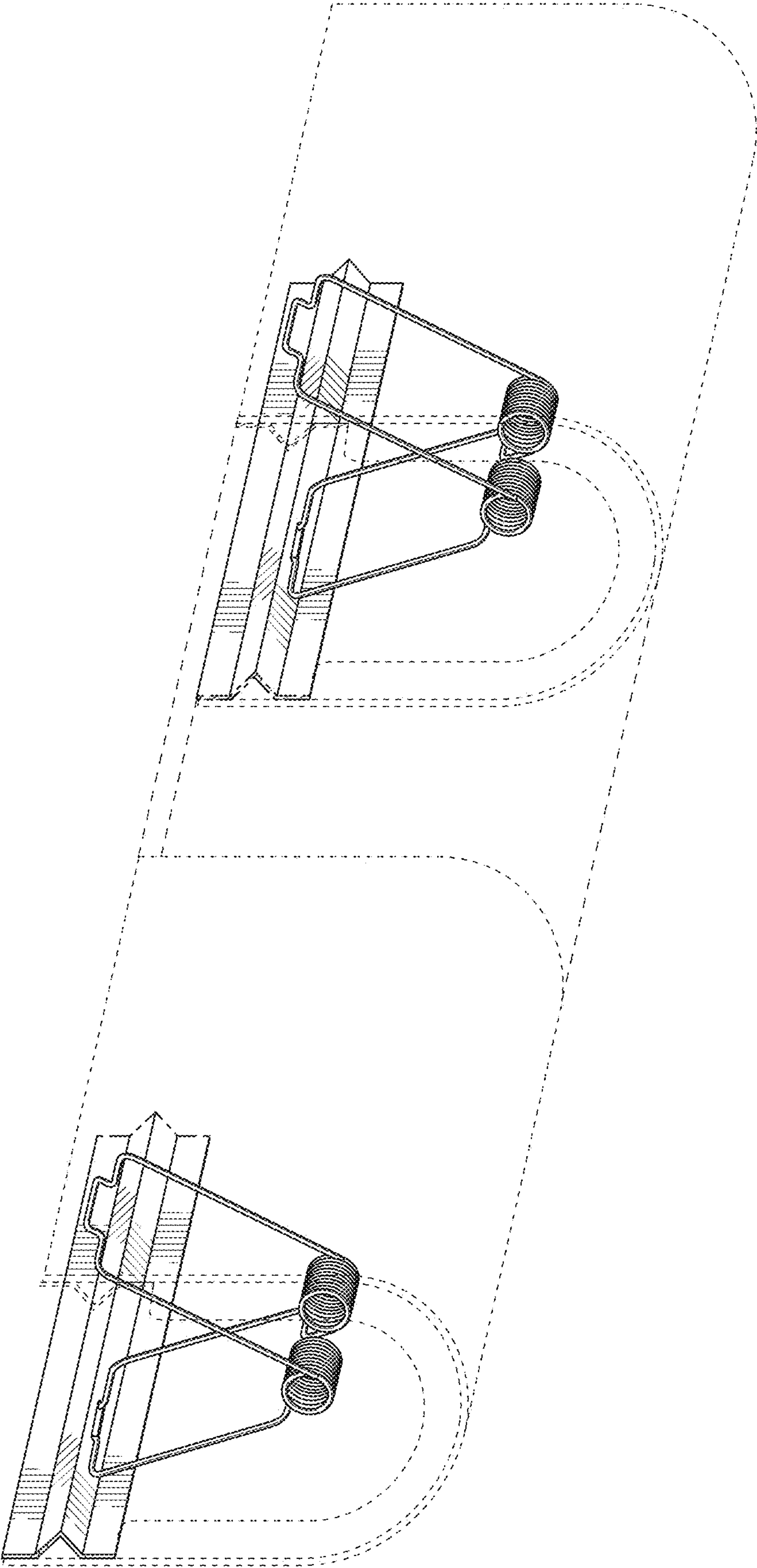


FIG. 3

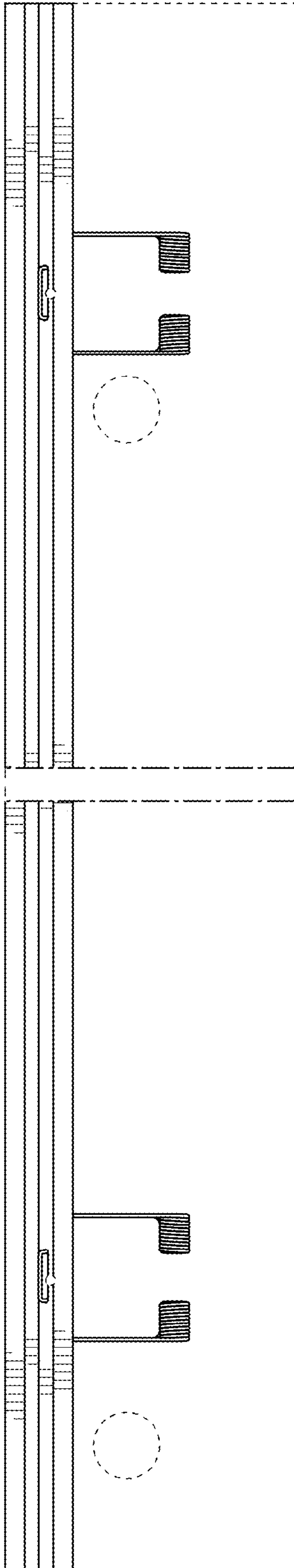


FIG. 4

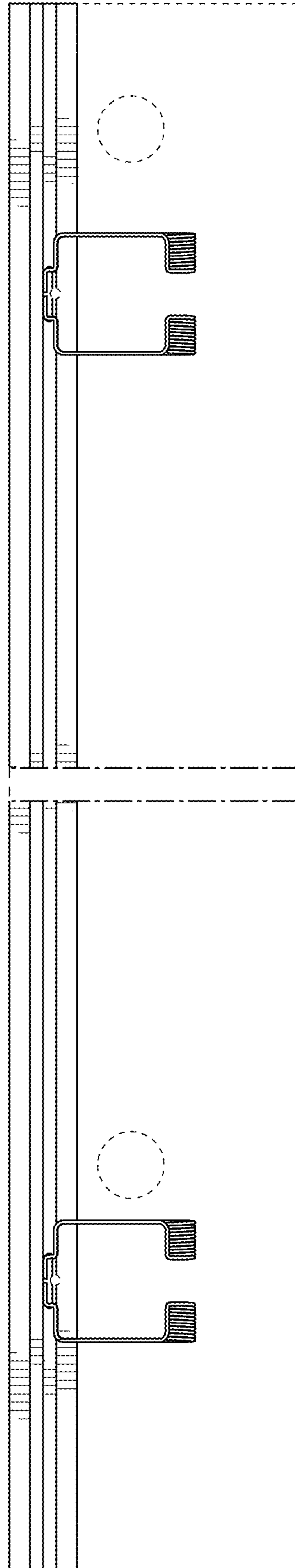


FIG. 5

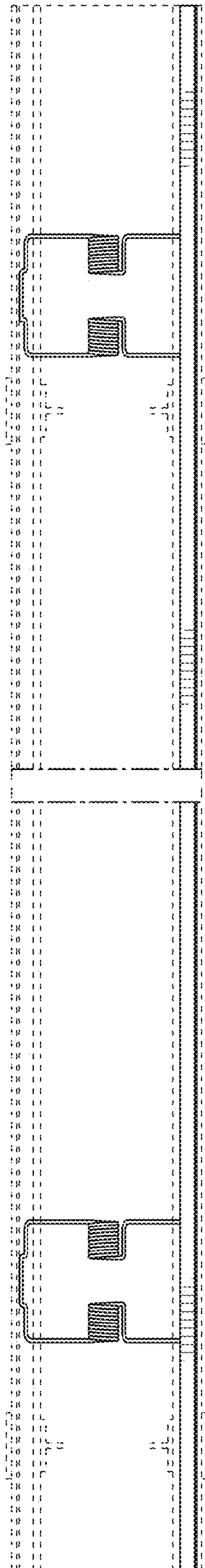


FIG. 6

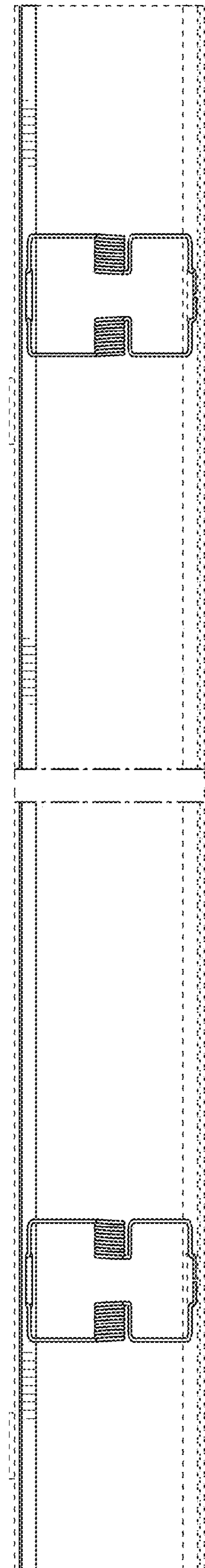


FIG. 7

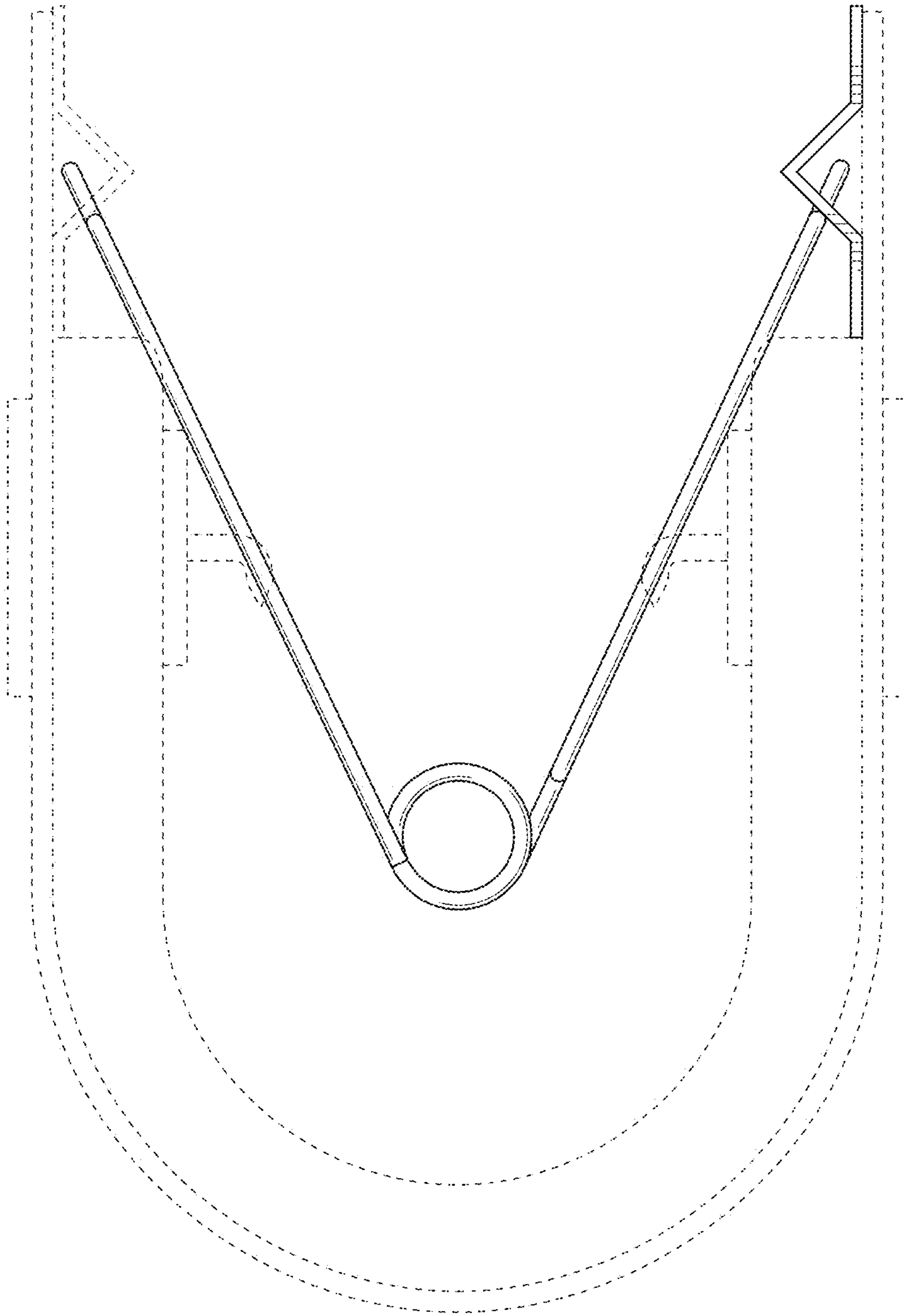


FIG. 8



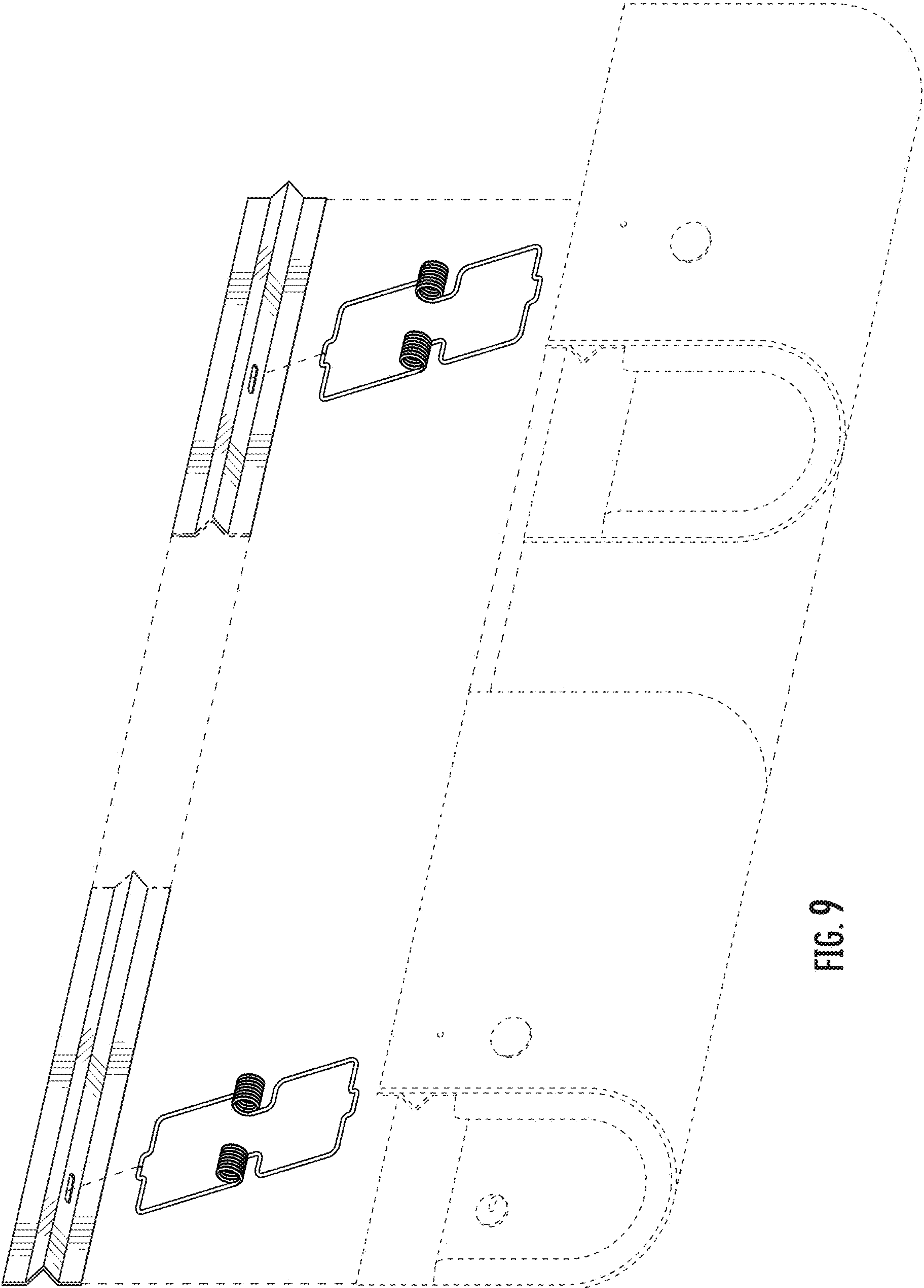


FIG. 9