



US00D888285S

(12) **United States Design Patent**  
**Baltz, Jr. et al.**

(10) **Patent No.:** **US D888,285 S**  
(45) **Date of Patent:** **\*\* Jun. 23, 2020**

(54) **TOP OF WALL VENTED FINISH BEAD**

7,634,883 B1 \* 12/2009 Larson ..... E04F 13/06  
52/393

(71) Applicants: **Gary Georeg Baltz, Jr.**, Mountain  
Brook, AL (US); **Frederic C. Mayer,**  
**Jr.**, Hoover, AL (US)

8,584,416 B2 \* 11/2013 Chenier ..... E04F 13/06  
52/393

(72) Inventors: **Gary Georeg Baltz, Jr.**, Mountain  
Brook, AL (US); **Frederic C. Mayer,**  
**Jr.**, Hoover, AL (US)

D700,717 S \* 3/2014 Campacci ..... D25/119  
D703,306 S \* 4/2014 Little ..... D25/136  
D703,307 S \* 4/2014 Little ..... D25/136  
D762,310 S \* 7/2016 Apanovich ..... D25/119  
D787,091 S \* 5/2017 Singh ..... D25/119  
D800,344 S \* 10/2017 Apanovich ..... D25/119  
D800,921 S \* 10/2017 Apanovich ..... D25/119  
D815,757 S \* 4/2018 Braun ..... E04F 19/064  
D25/119

(73) Assignee: **ALABAMA METAL INDUSTRIES**  
**CORPORATION**

D842,496 S \* 3/2019 Apanovich ..... D25/119  
(Continued)

(\*\*) Term: **15 Years**

*Primary Examiner* — Llorellys Martinez

(21) Appl. No.: **29/676,930**

(74) *Attorney, Agent, or Firm* — Jennifer Meredith, Esq.;  
Lippes Mathias Wexler Friedman, LLP

(22) Filed: **Jan. 16, 2019**

(51) **LOC (12) Cl.** ..... **25-02**

(52) **U.S. Cl.**  
USPC ..... **D25/55; D25/164**

(58) **Field of Classification Search**  
USPC ..... D25/102, 119–123, 136, 137, 164, 199,  
D25/55; D23/259, 267, 268  
CPC ..... E04F 19/02; E04F 19/04; E04F 2019/044;  
E04F 2019/0445; E04F 13/00; E04F  
13/007; E04B 1/70; E04B 1/7038; E04B  
1/7069; E04B 1/7076; E04D 13/00; E04D  
13/0445; E04D 13/0459; E04D 13/0481  
See application file for complete search history.

(57) **CLAIM**

The ornamental design for a top of wall vented finish bead,  
as shown and described.

**DESCRIPTION**

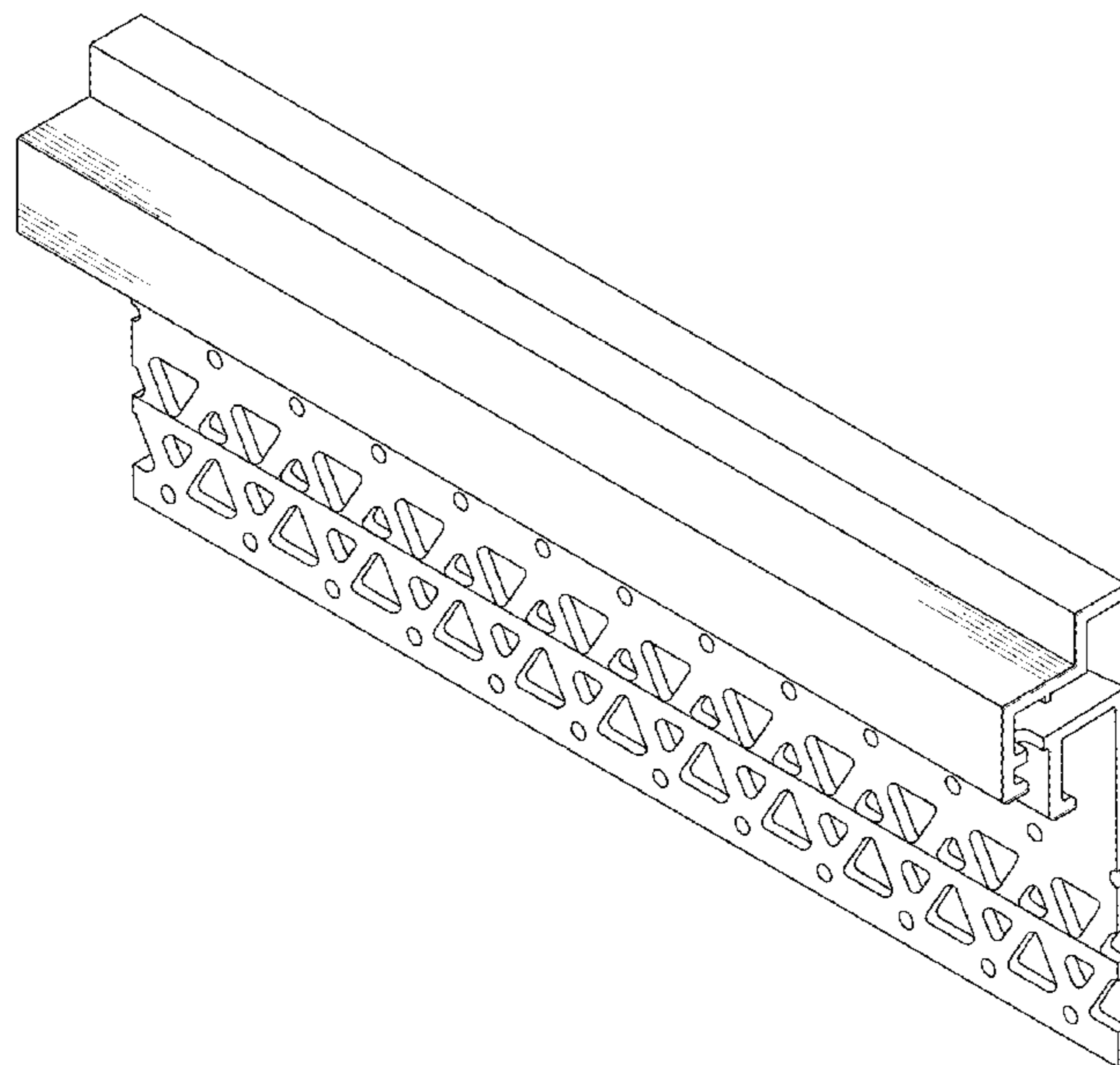
FIG. 1 is a top, front perspective view of a top of wall vented  
finish bead showing our new design;  
FIG. 2 is a front view of the top of wall vented finish bead;  
FIG. 3 is a back view of the top of wall vented finish bead;  
FIG. 4 is a right side view of the top of wall vented finish  
bead;  
FIG. 5 is a left side view of the top of wall vented finish  
bead;  
FIG. 6 is a top side view of the top of wall vented finish  
bead; and,  
FIG. 7 is a bottom side view of the top of wall vented finish  
bead.  
The broken lines in the drawings illustrate portions of the top  
of wall vented finish bead that form no part of the claimed  
design.

(56) **References Cited**

U.S. PATENT DOCUMENTS

D151,022 S \* 9/1948 Weber et al. .... D25/164  
5,579,617 A \* 12/1996 Schiedegger ..... E04F 19/02  
52/287.1  
D459,007 S \* 6/2002 Campacci ..... D25/119  
D471,991 S \* 3/2003 Maylon ..... D25/119  
D477,420 S \* 7/2003 Butcher ..... D25/119

**1 Claim, 4 Drawing Sheets**



(56)

**References Cited**

U.S. PATENT DOCUMENTS

2008/0104918	A1 *	5/2008	Gleeson .....	E04F 19/02 52/489.1
2008/0148672	A1 *	6/2008	Monteer .....	E04F 13/007 52/533
2009/0183453	A1 *	7/2009	Koessler .....	E04F 13/007 52/302.3
2017/0254091	A1 *	9/2017	Friel .....	E04F 19/02
2019/0161960	A1 *	5/2019	Baltz, Jr. ....	E04F 13/007
2019/0194954	A1 *	6/2019	Baltz, Jr. ....	E04F 19/04
2019/0292791	A1 *	9/2019	Friel .....	E04F 19/02
2020/0063432	A1 *	2/2020	Baltz, Jr. ....	E04F 13/007
2020/0063446	A1 *	2/2020	Baltz, Jr. ....	E04F 19/04

\* cited by examiner

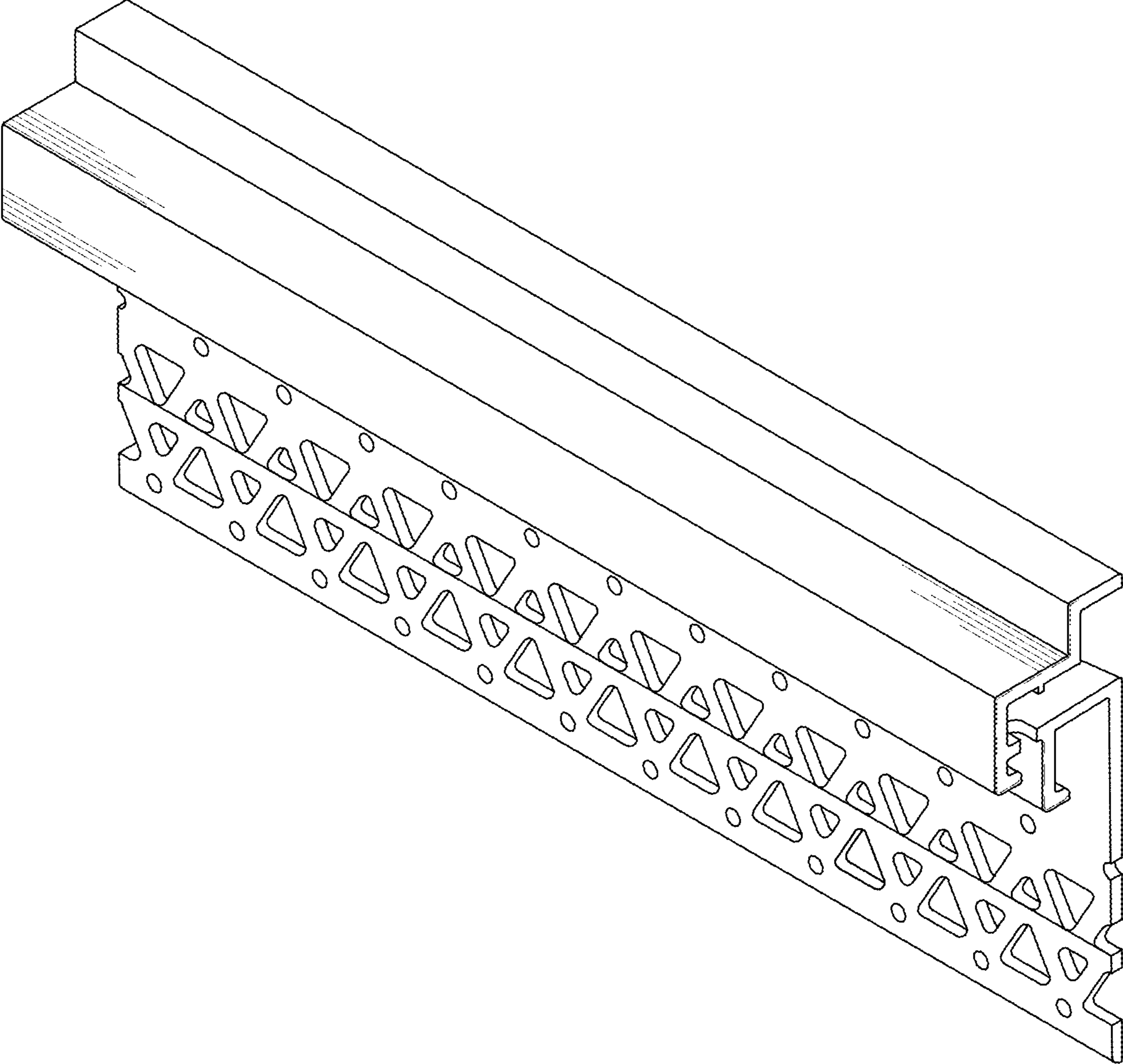


Fig. 1

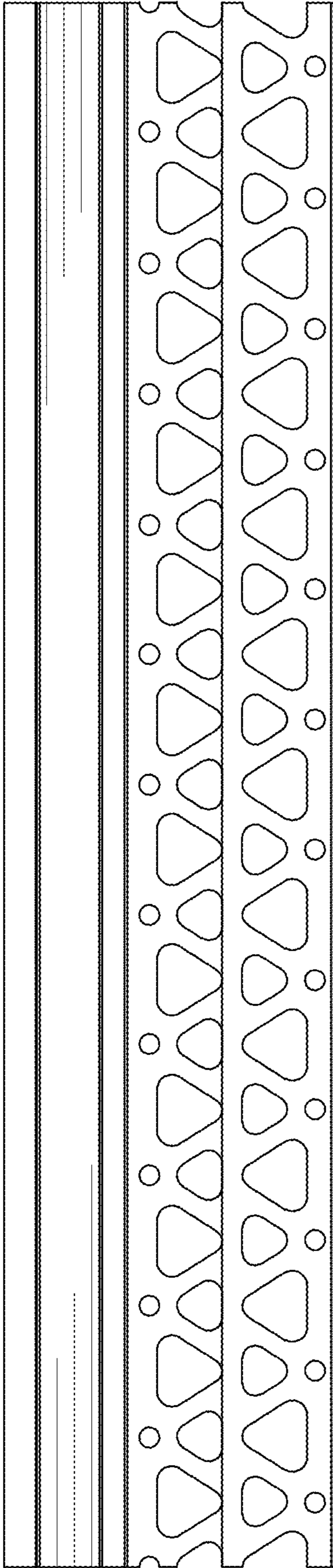


Fig. 2

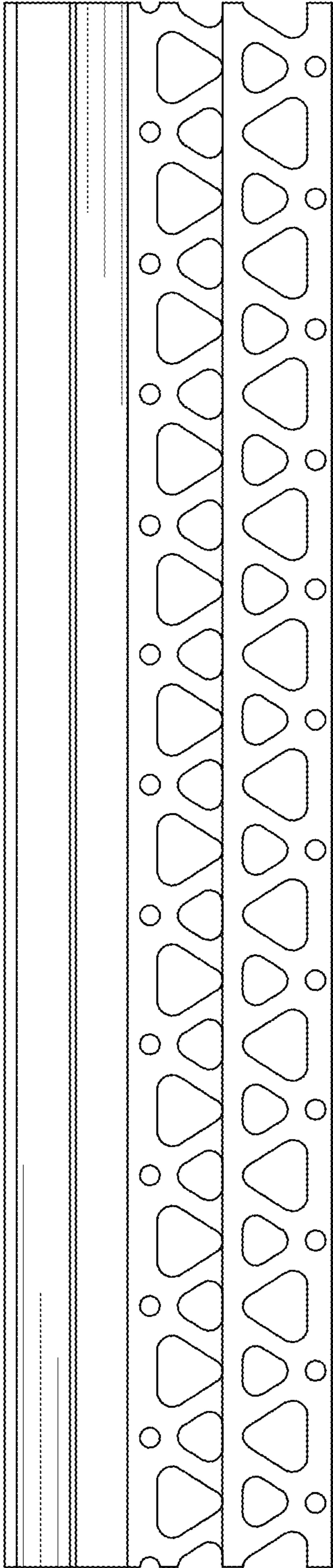


Fig. 3

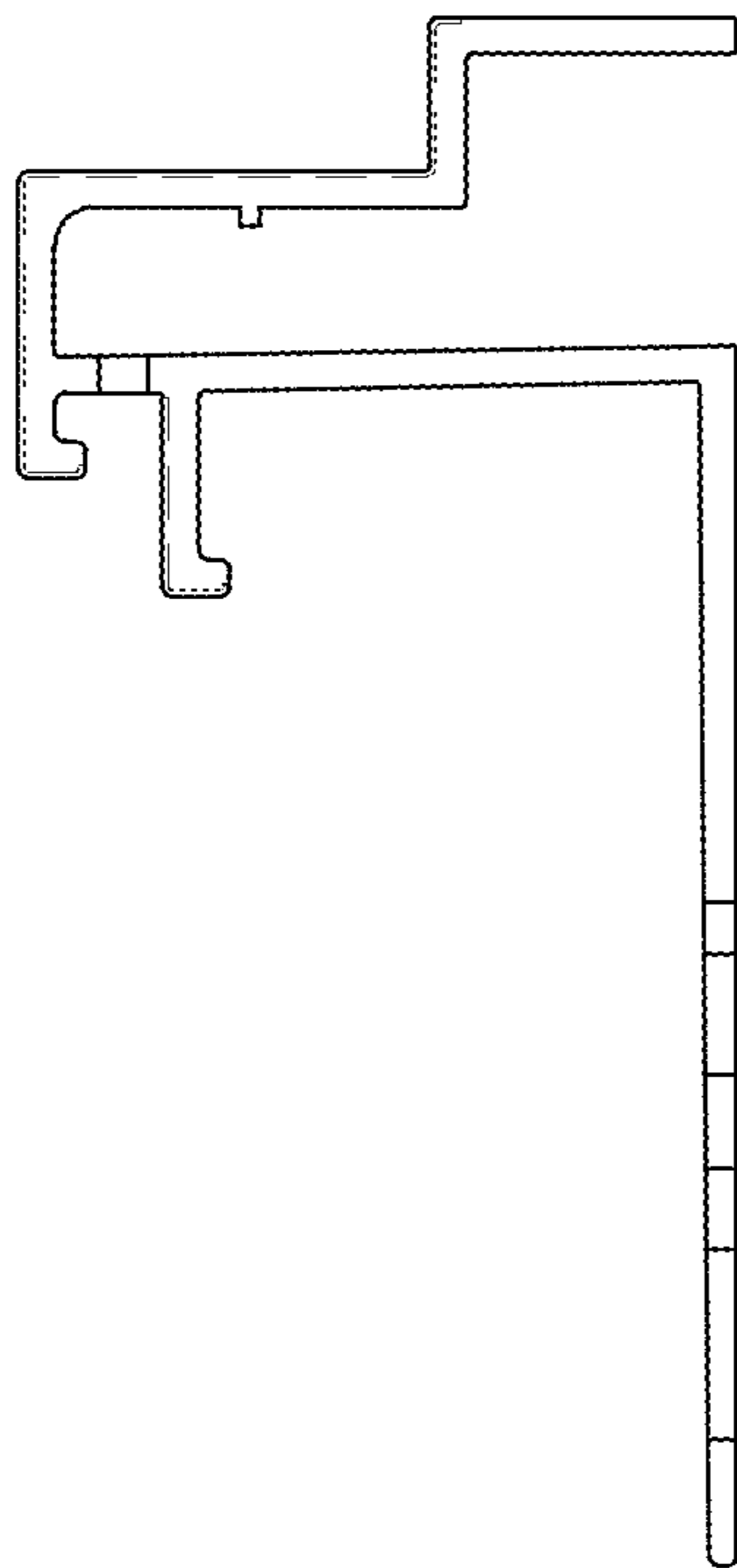


Fig. 4

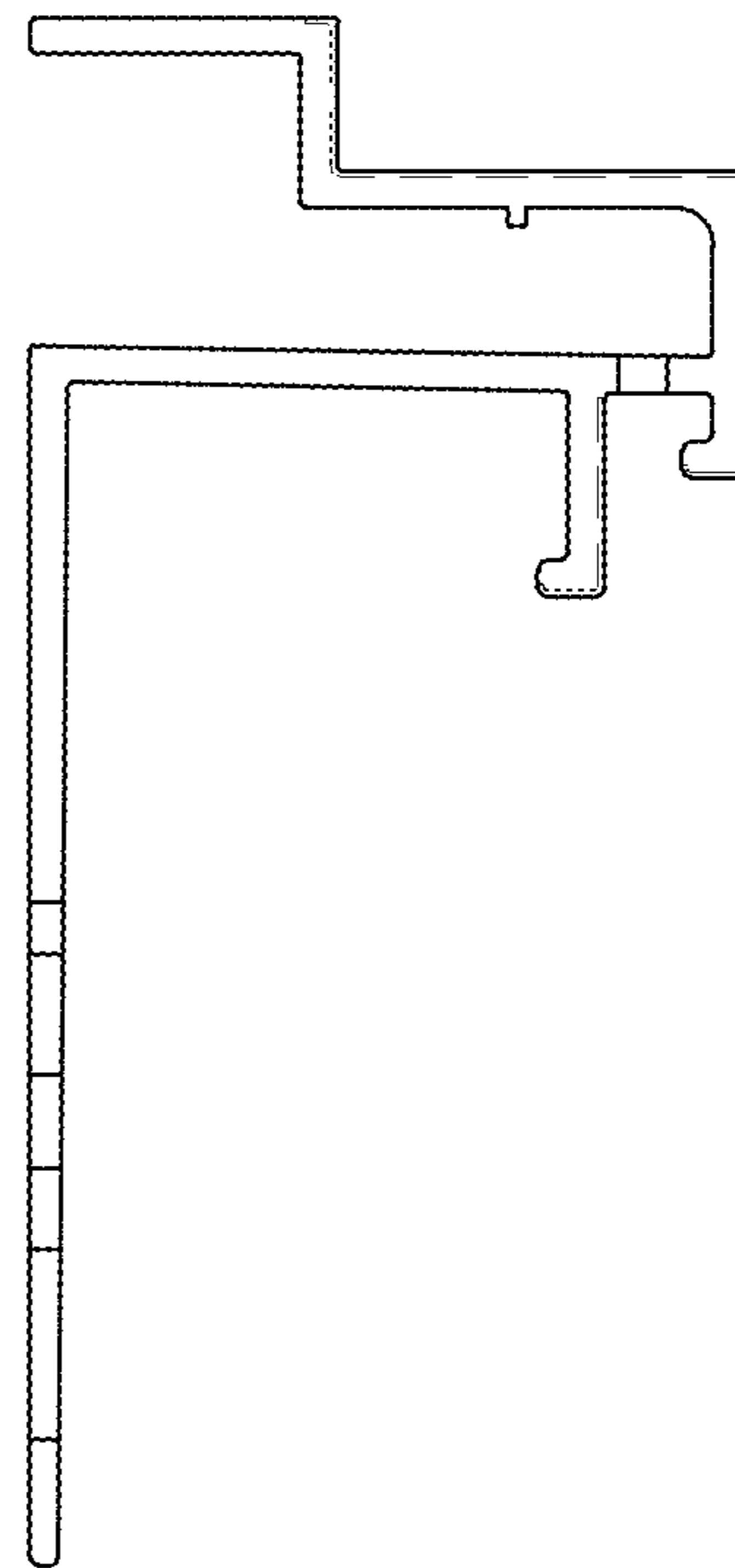


Fig. 5

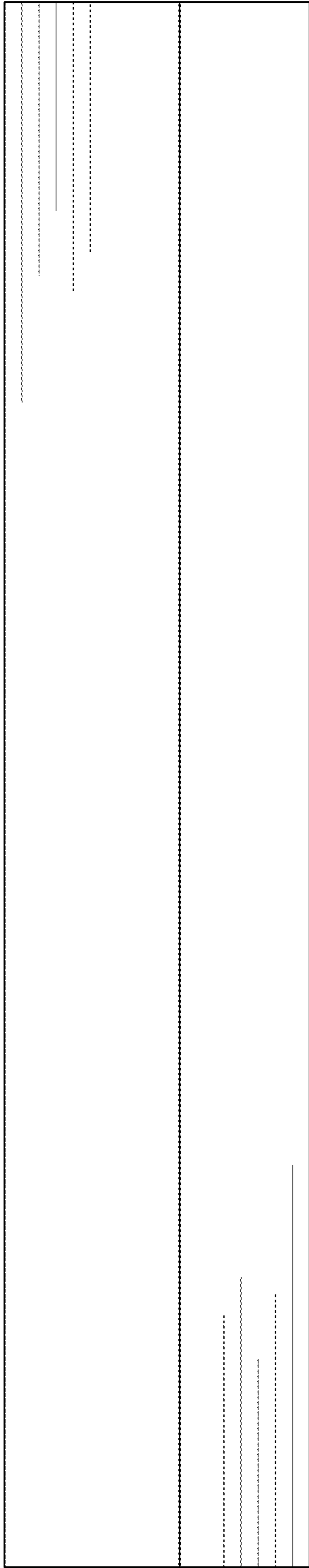


Fig. 6

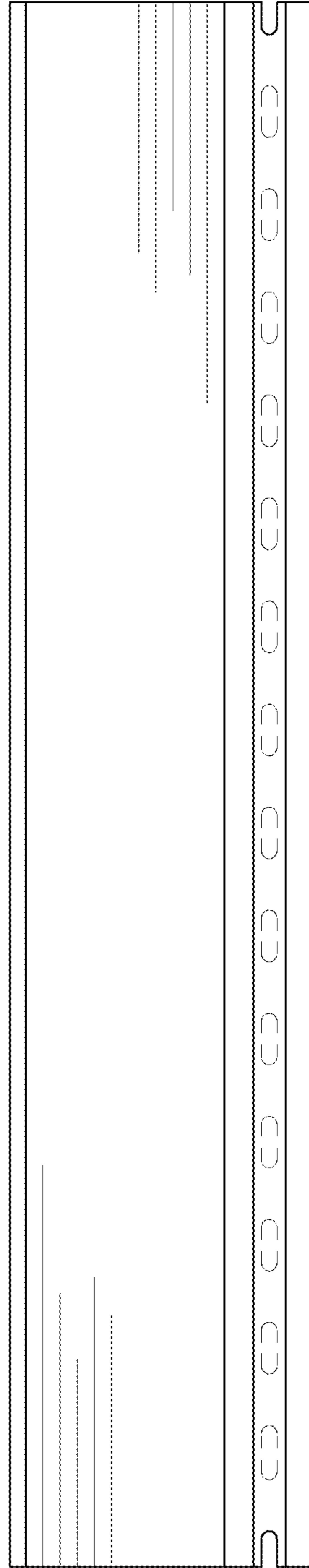


Fig. 7