



US00D888280S

(12) **United States Design Patent** (10) **Patent No.:** **US D888,280 S**
Motadel et al. (45) **Date of Patent:** **** Jun. 23, 2020**

(54) **PIPETTE TIP TRAY**

(71) Applicant: **Biotix, Inc.**, San Diego, CA (US)
(72) Inventors: **Arta Motadel**, San Diego, CA (US);
Peter Paul Blaszcak, San Diego, CA (US);
Kyle Richard Briggs, San Diego, CA (US)

(73) Assignee: **BIOTIX, INC.**, San Diego, CA (US)

(**) Term: **15 Years**

(21) Appl. No.: **29/642,485**

(22) Filed: **Mar. 29, 2018**

(51) **LOC (12) Cl.** **24-02**

(52) **U.S. Cl.**
USPC **D24/229**

(58) **Field of Classification Search**
USPC D24/108, 127-130, 216, 222, 224-232;
D9/756-758; D6/406.1-406.3, 406.6;
D19/37; D3/203.1, 304
CPC B01L 9/543; B01L 2200/025
See application file for complete search history.

(56) **References Cited**

U.S. PATENT DOCUMENTS

4,577,760	A	3/1986	Rainin et al.	
4,676,377	A	6/1987	Rainin et al.	
5,366,088	A	11/1994	Hill et al.	
6,221,317	B1	4/2001	Carl	
6,286,678	B1	9/2001	Petrek	
D464,734	S *	10/2002	Berna	D24/216
D574,505	S *	8/2008	Muller-Cohn	D24/216
D631,557	S *	1/2011	Tajima	D24/229

(Continued)

FOREIGN PATENT DOCUMENTS

JP	54-052433	4/1979
JP	61-074652	4/1986

(Continued)

OTHER PUBLICATIONS

Pipette Tips. Online, published date unknown. Retrieved on Mar. 20, 2019 from <url: https://www.labproservices.com/2-200ul-micropipette-universal-sterile-tips-clear-color-rack-10-x-96-960.html.*

(Continued)

Primary Examiner — Susan Bennett Hattan

Assistant Examiner — Omeed Agilee

(74) *Attorney, Agent, or Firm* — Grant IP, Inc.

(57) **CLAIM**

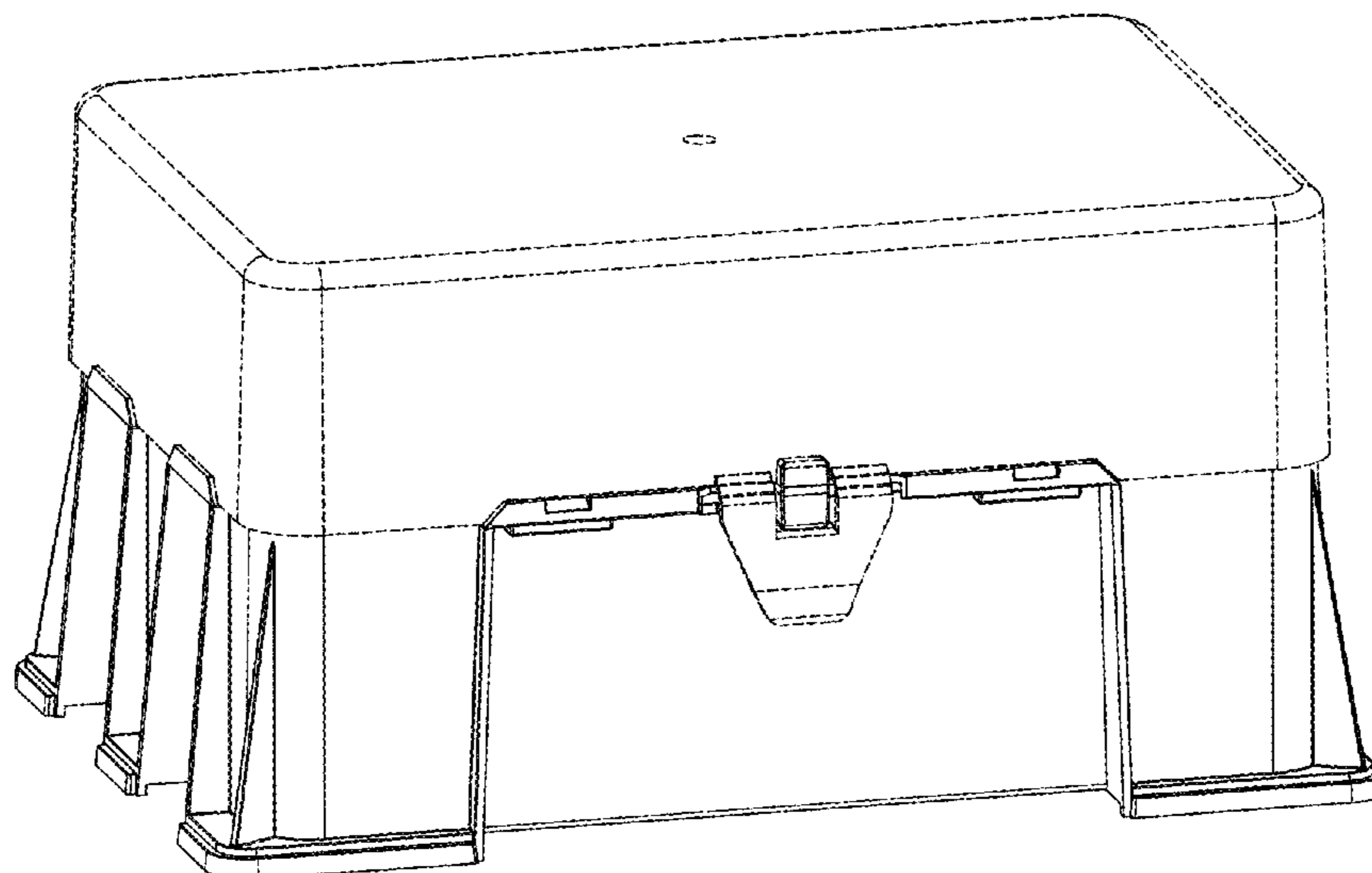
The ornamental design for a pipette tip tray, as shown and described.

DESCRIPTION

FIG. 1 is a top, front perspective view of a pipetter tip tray with closed lid;
FIG. 2 is a top, back perspective view thereof;
FIG. 3 is a bottom, front perspective view thereof;
FIG. 4 is a bottom, back perspective view thereof;
FIG. 5 is a side view thereof;
FIG. 6 is a front view thereof;
FIG. 7 is a back view thereof;
FIG. 8 is a top view thereof;
FIG. 9 is bottom view thereof; and
FIG. 10 is a front, top perspective view of the pipetter tip tray base component, without lid and pipette tip receptacle plate components, and including no pipette tips;
FIG. 11 is a back, top perspective view thereof;
FIG. 12 is a side view thereof;
FIG. 13 is another side view thereof;
FIG. 14 is a front view thereof; and
FIG. 15 is back view thereof.
FIG. 16 is a top view thereof; and
FIG. 17 is a bottom view thereof.

The broken lines in the drawings depict portions of the pipette tip tray that form no part of the claimed design.

1 Claim, 17 Drawing Sheets



(56)

References Cited

U.S. PATENT DOCUMENTS

D632,803 S * 2/2011 Motadel D24/229
 8,312,781 B2 * 11/2012 Himmelsbach B01L 3/50825
 73/64.56
 D699,370 S * 2/2014 Motadel D24/229
 D699,859 S * 2/2014 Motadel D24/227
 D724,236 S * 3/2015 Motadel D24/227
 9,238,227 B2 * 1/2016 Motadel B01L 9/543
 D768,873 S * 10/2016 Stedman D24/227
 9,545,635 B2 1/2017 Motadel et al.
 D808,540 S * 1/2018 Johns D24/227
 D812,243 S * 3/2018 Johns D24/227
 D826,426 S * 8/2018 Muller D24/230
 D840,053 S * 2/2019 Kamees D24/230
 D844,806 S * 4/2019 Johns D24/227
 10,300,488 B2 * 5/2019 Motadel B01L 9/543
 2010/0266457 A1 10/2010 Rethwisch et al.
 2011/0306051 A1 * 12/2011 Belz A01G 25/00
 435/6.12
 2011/0306053 A1 * 12/2011 Ochsenbein B01L 7/52
 435/6.12
 2011/0306118 A1 * 12/2011 Belz G01N 35/00732
 435/287.2
 2014/0234182 A1 * 8/2014 Motadel B01L 9/543
 422/526
 2014/0308181 A1 * 10/2014 Blumentritt B01L 3/0275
 422/560

2016/0001292 A1 * 1/2016 Motadel B01L 9/543
 206/563
 2016/0101422 A1 * 4/2016 Bucher B01L 9/543
 422/564
 2016/0167041 A1 6/2016 Curry et al.
 2017/0008001 A1 * 1/2017 Motadel B01L 9/543
 2019/0009277 A1 * 1/2019 Kofler B01L 9/543

FOREIGN PATENT DOCUMENTS

JP 3005123 12/1994
 JP 2011-227076 11/2011
 WO WO 2004/098764 11/2004
 WO WO 2008/107961 9/2008
 WO WO 2010/054337 5/2010
 WO WO 2016/094553 6/2016

OTHER PUBLICATIONS

2-200ul MicroPette Universal Sterile Filtered Tips. Online, published date unknown. Retrieved on Mar. 20, 2019 from URL: <https://www.labproservices.com/2-200ul-micropette-universal-sterile-tips-clear-color-rack-10-x-96-960.html>.
 International Search Report and Written Opinion dated May 28, 2019 for International Application No. PCT/US2019/023221, filed on Mar. 20, 2019.

* cited by examiner

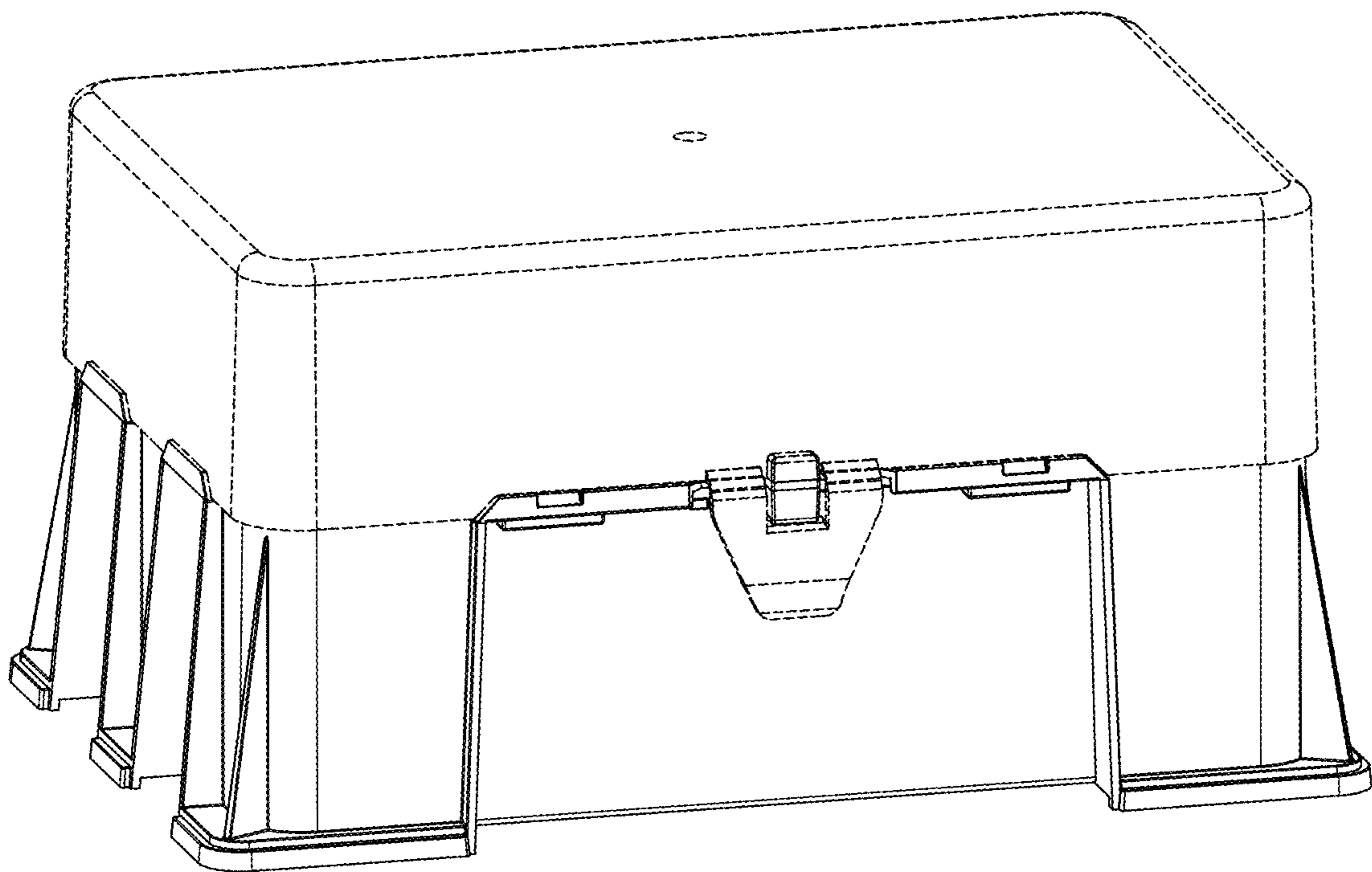


FIG.1

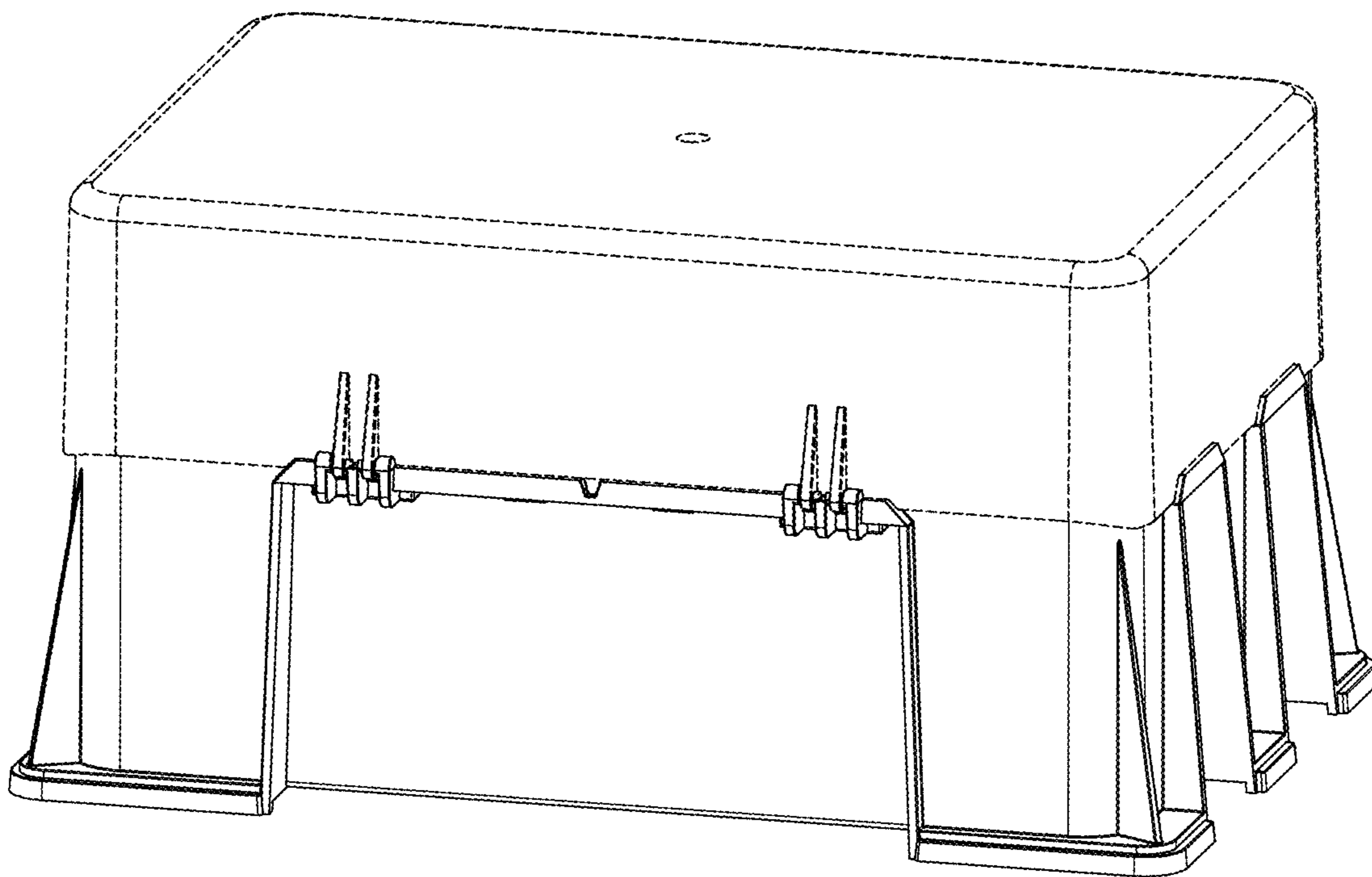


FIG. 2

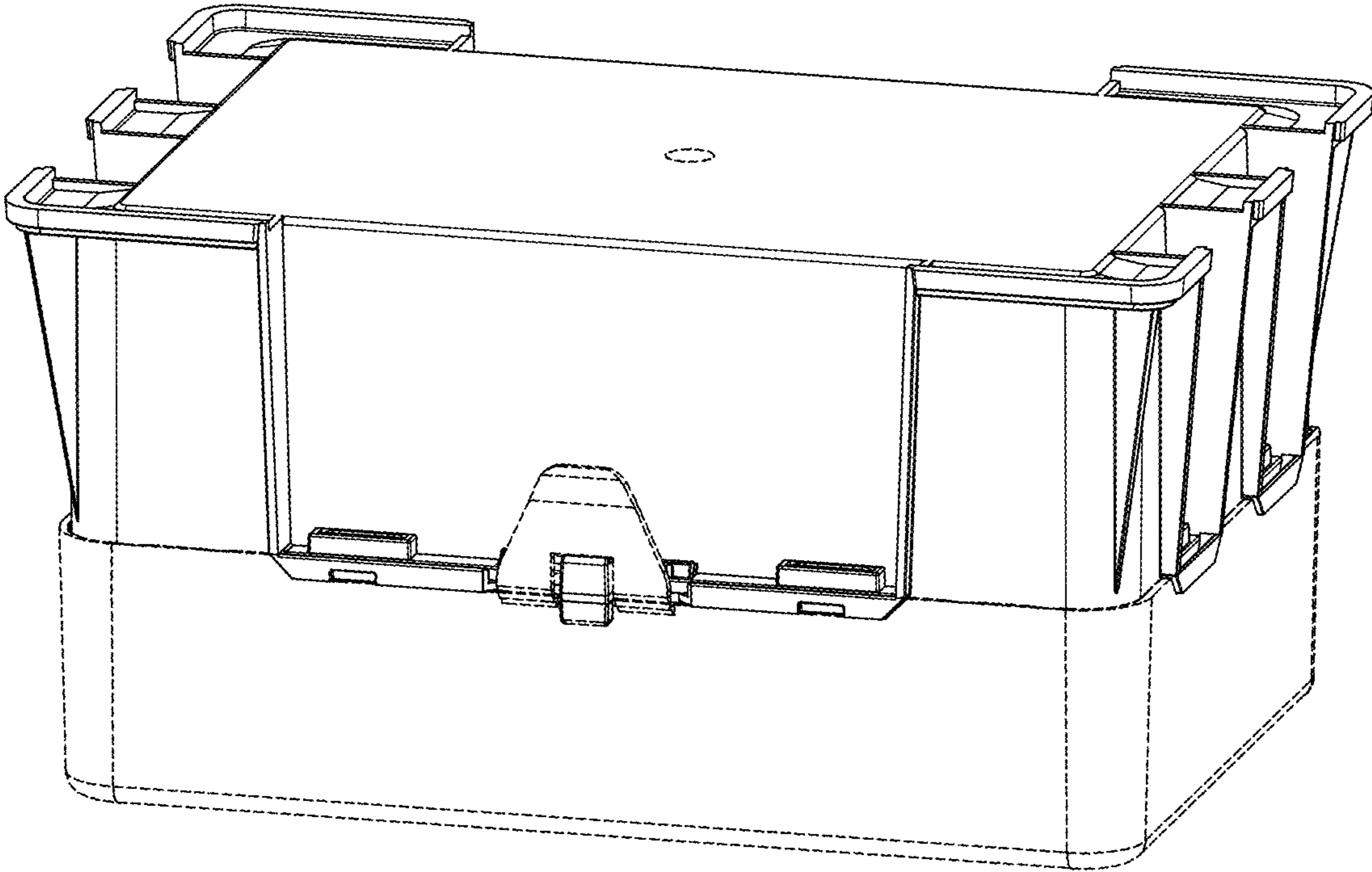


FIG. 3

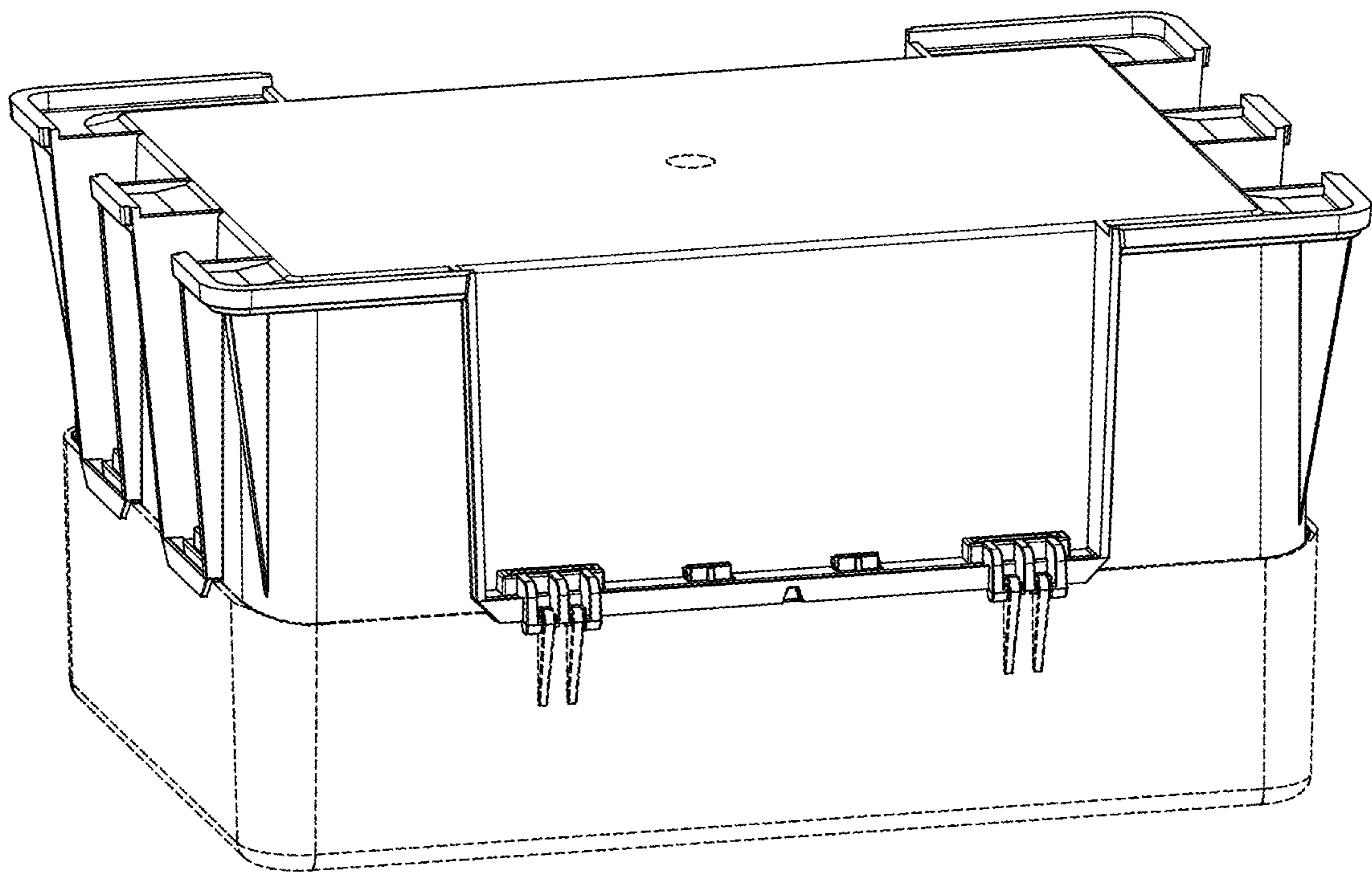


FIG. 4

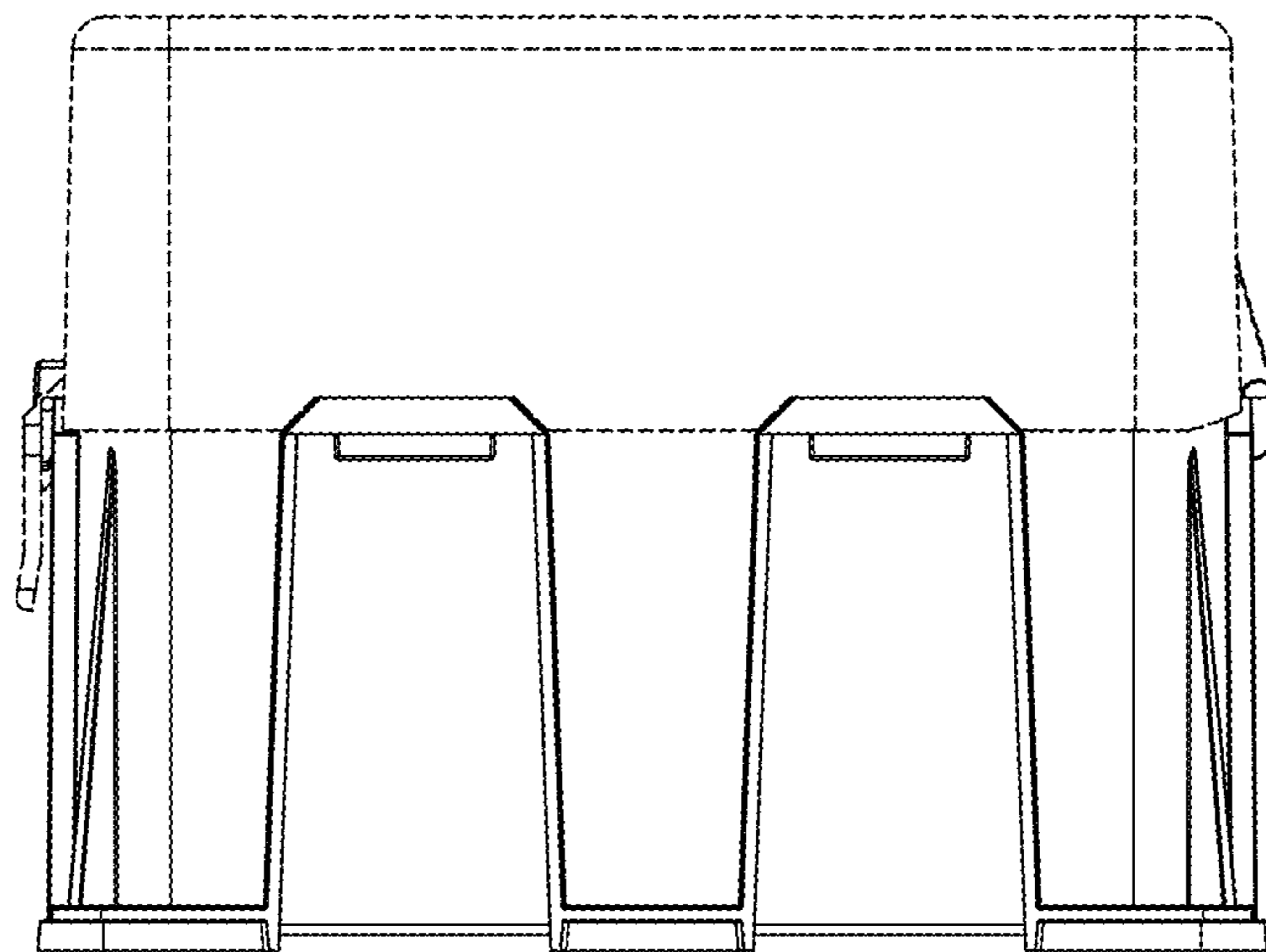


FIG. 5

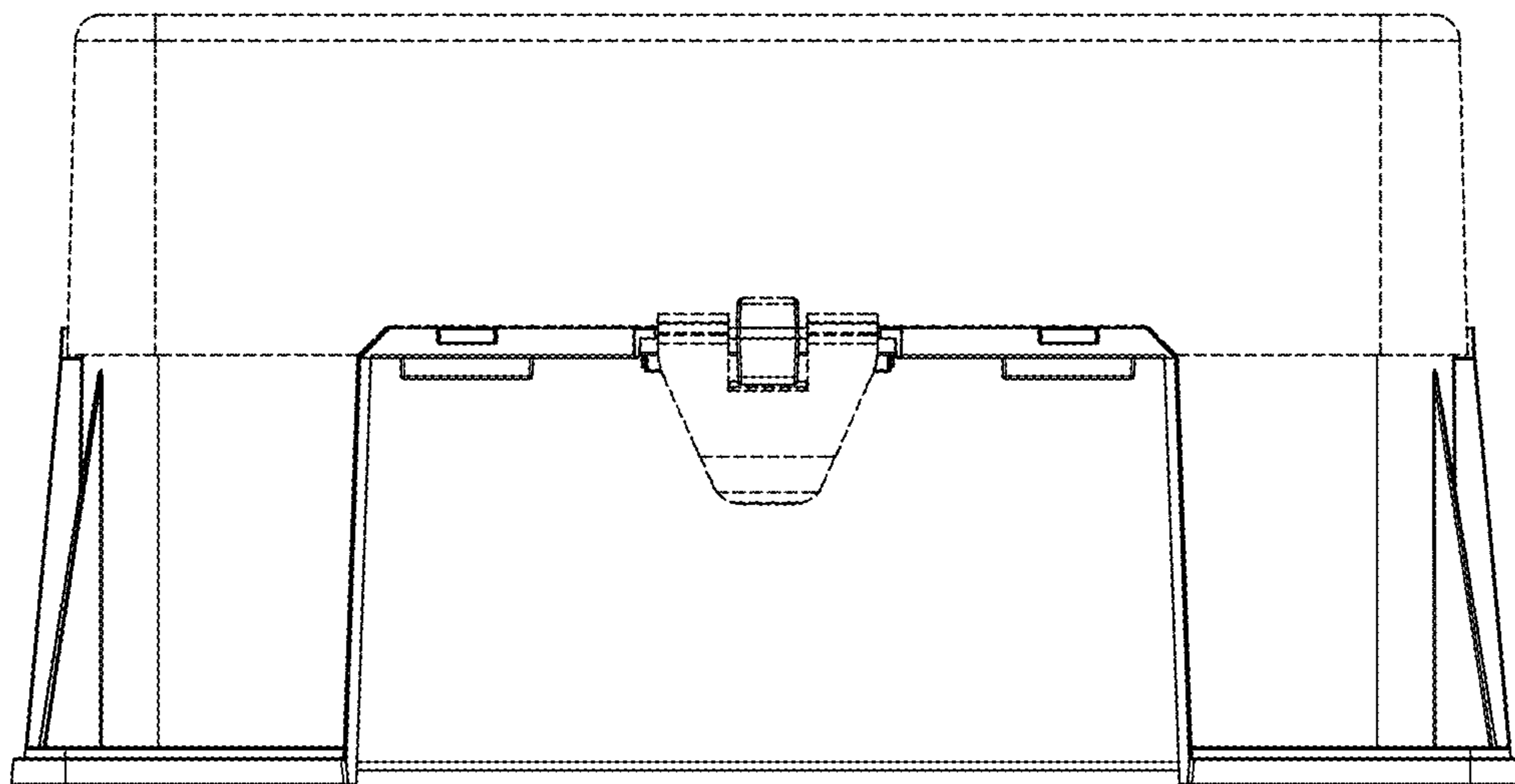


FIG. 6

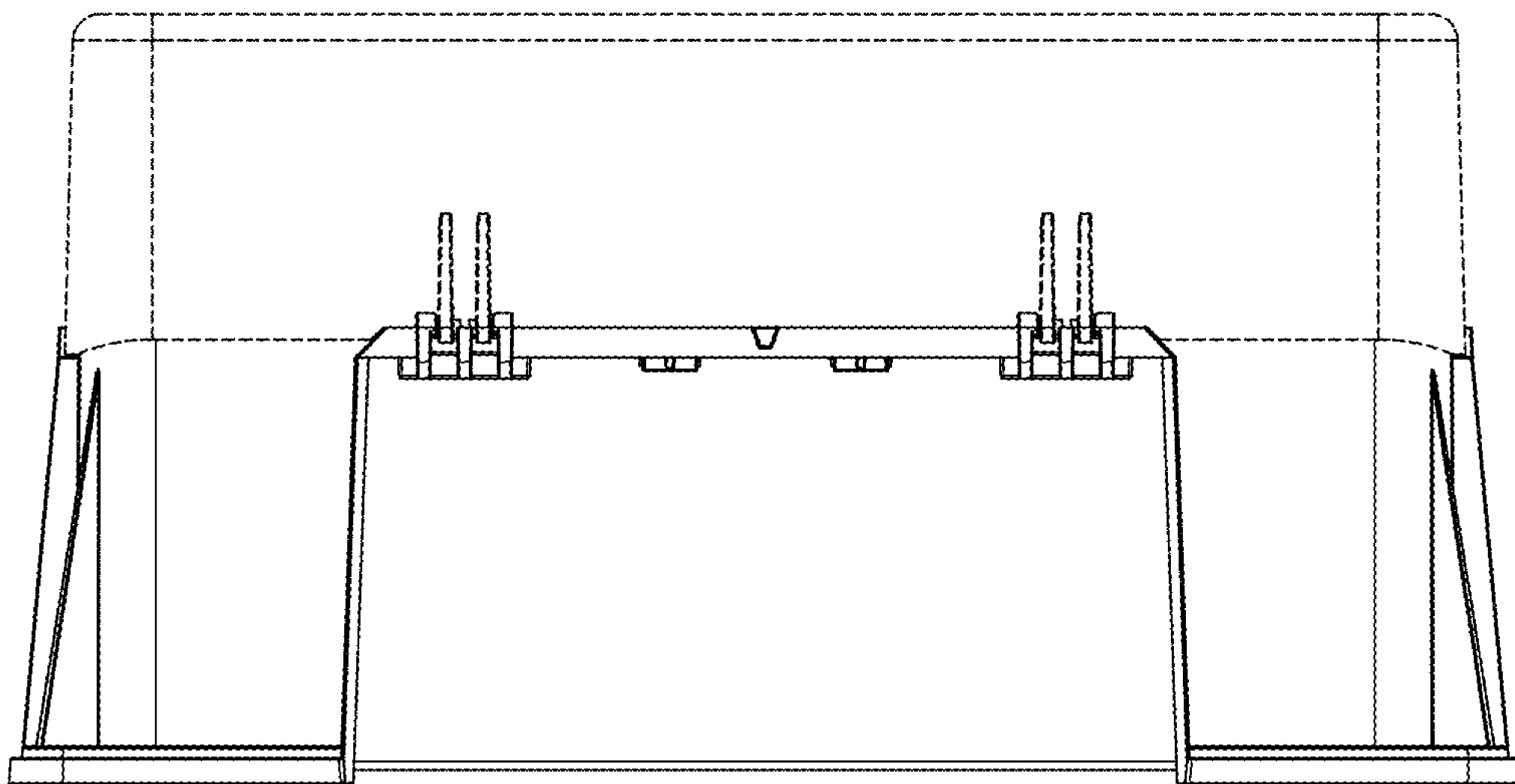


FIG. 7

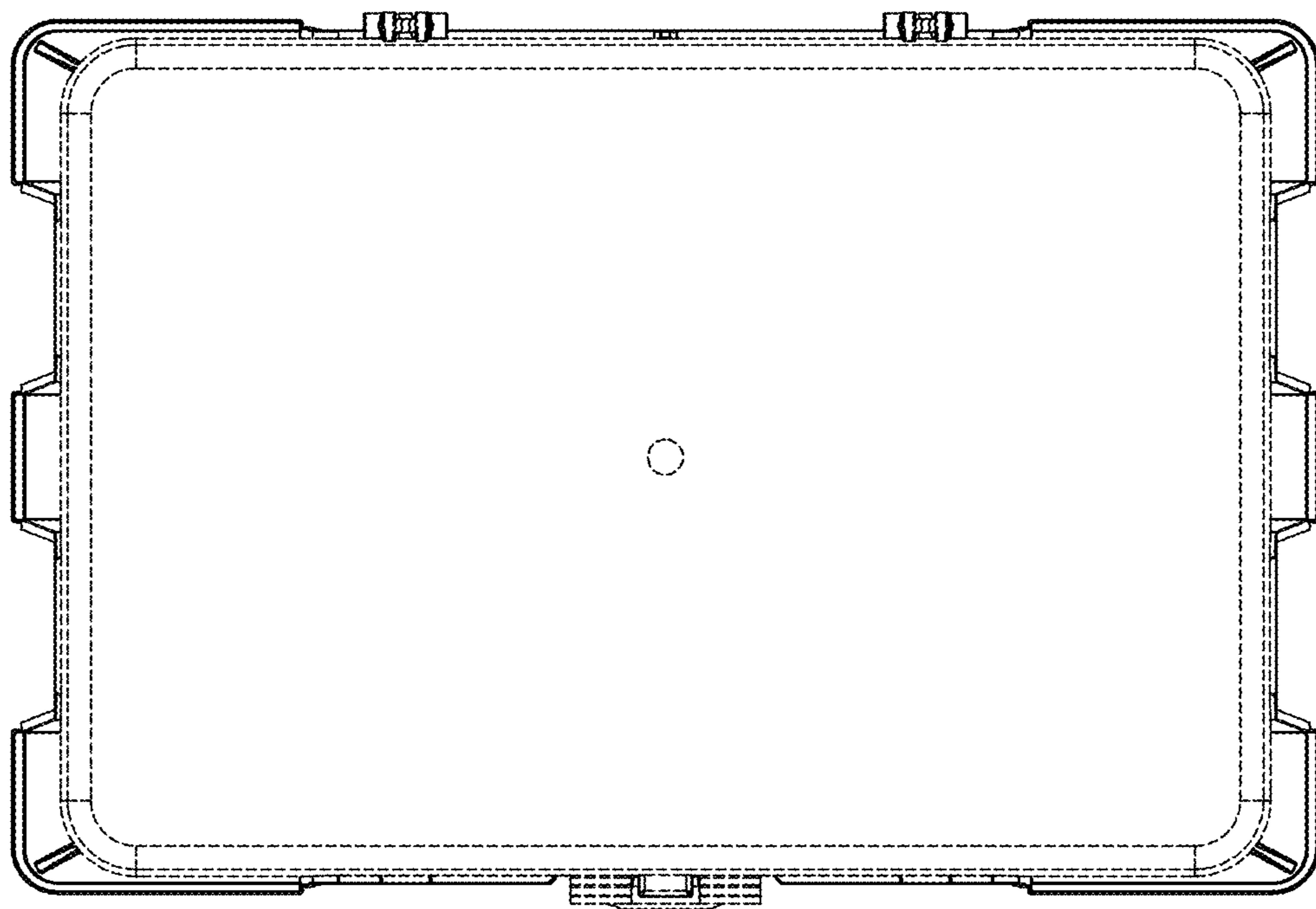


FIG. 8

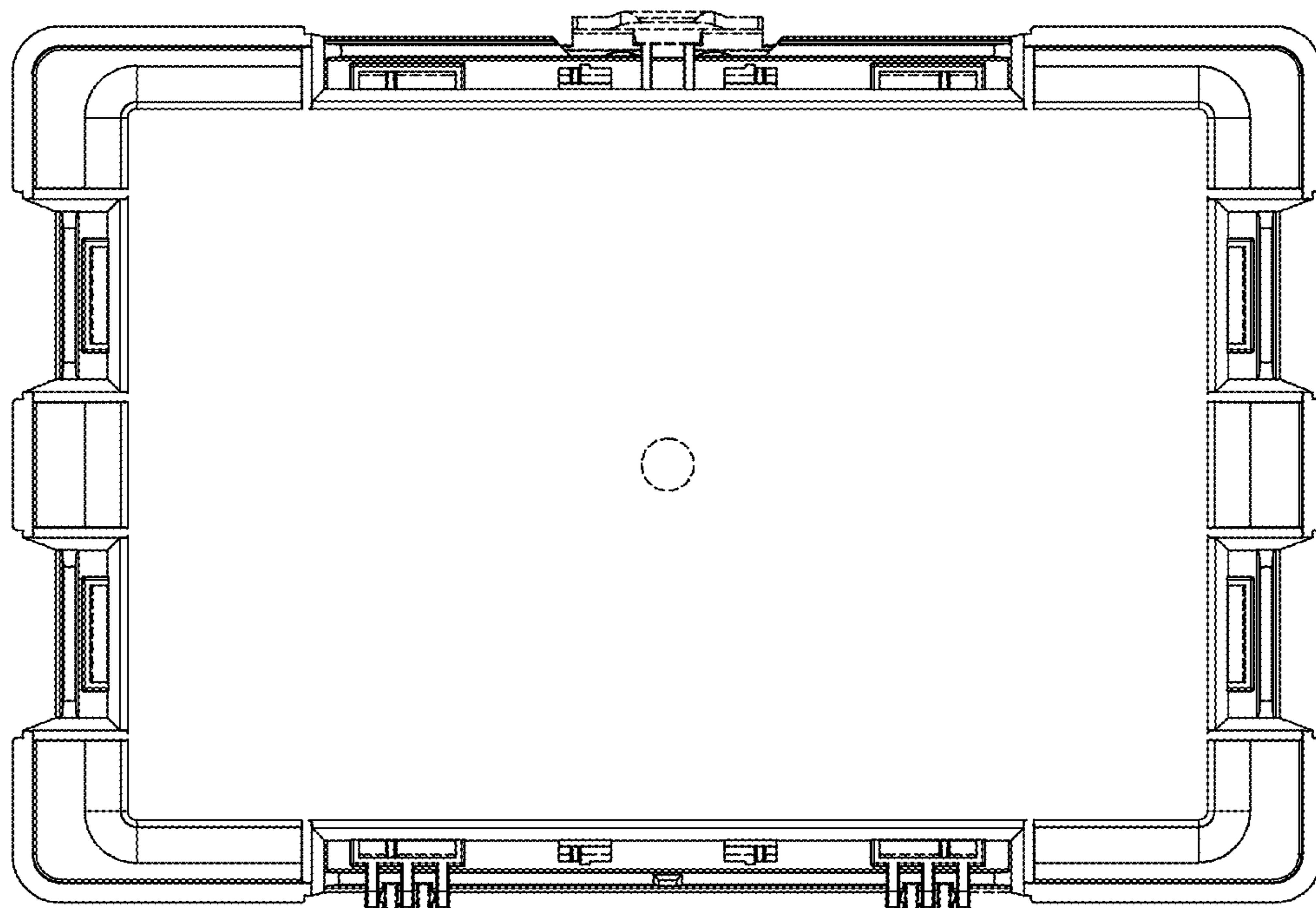


FIG. 9

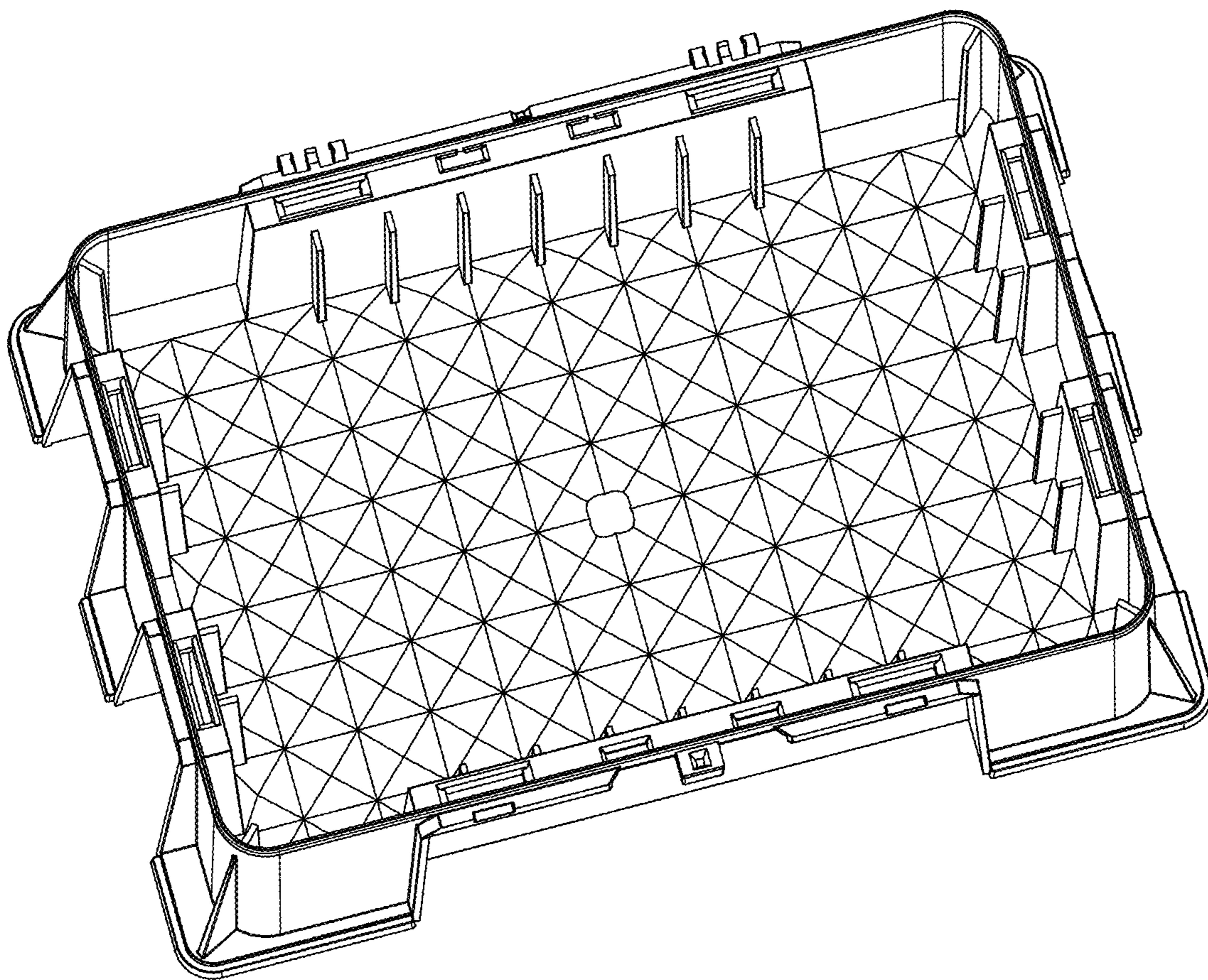


FIG. 10

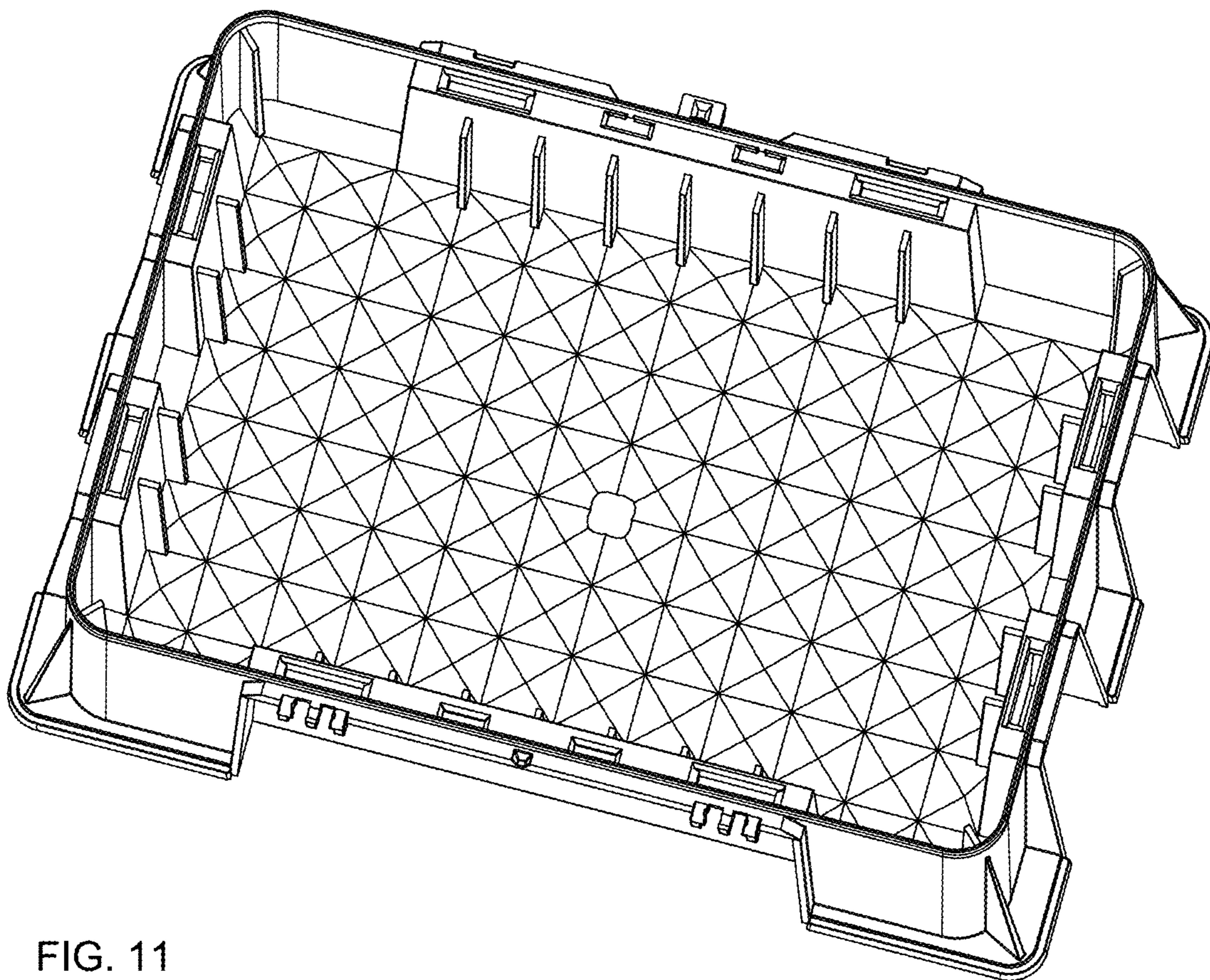


FIG. 11

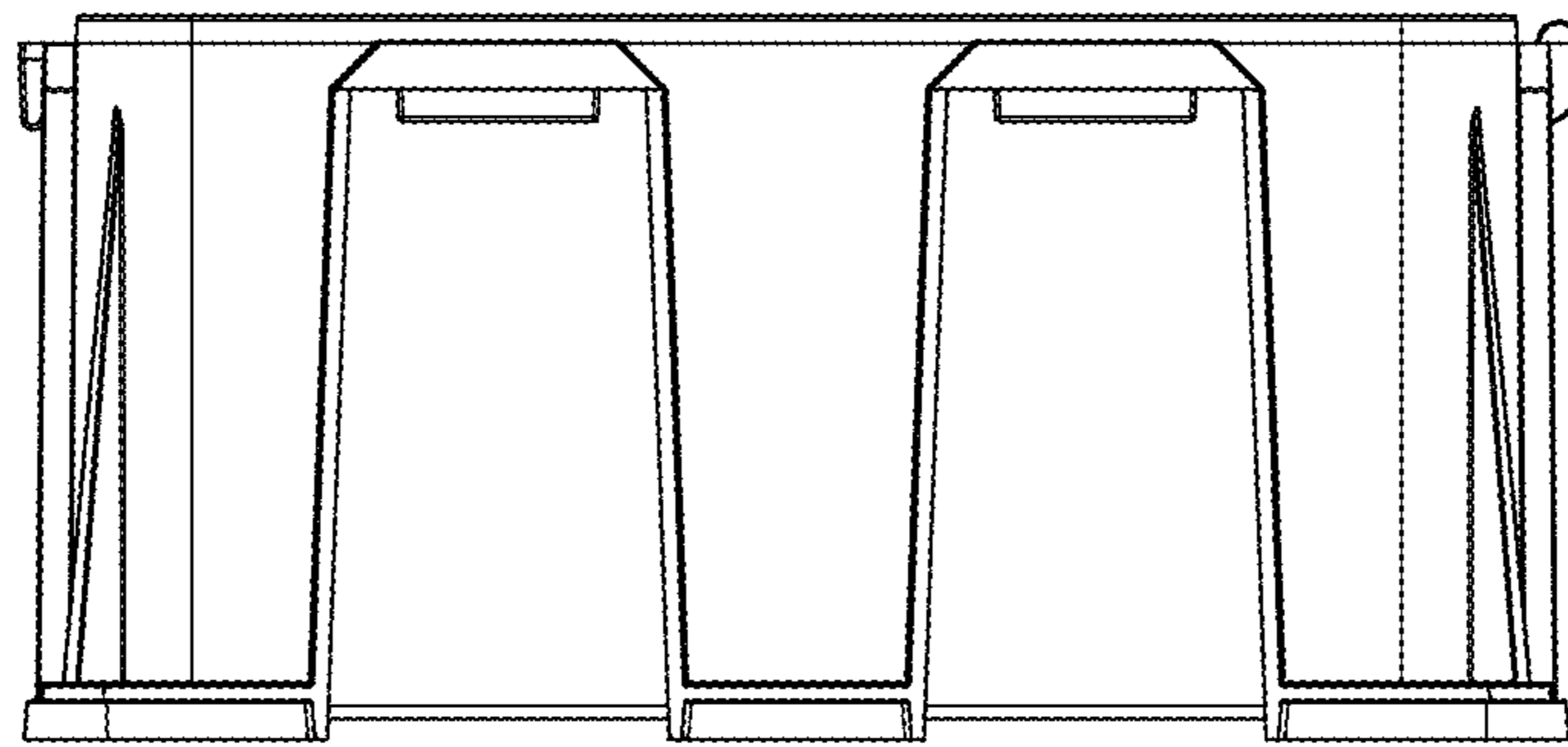


FIG. 12

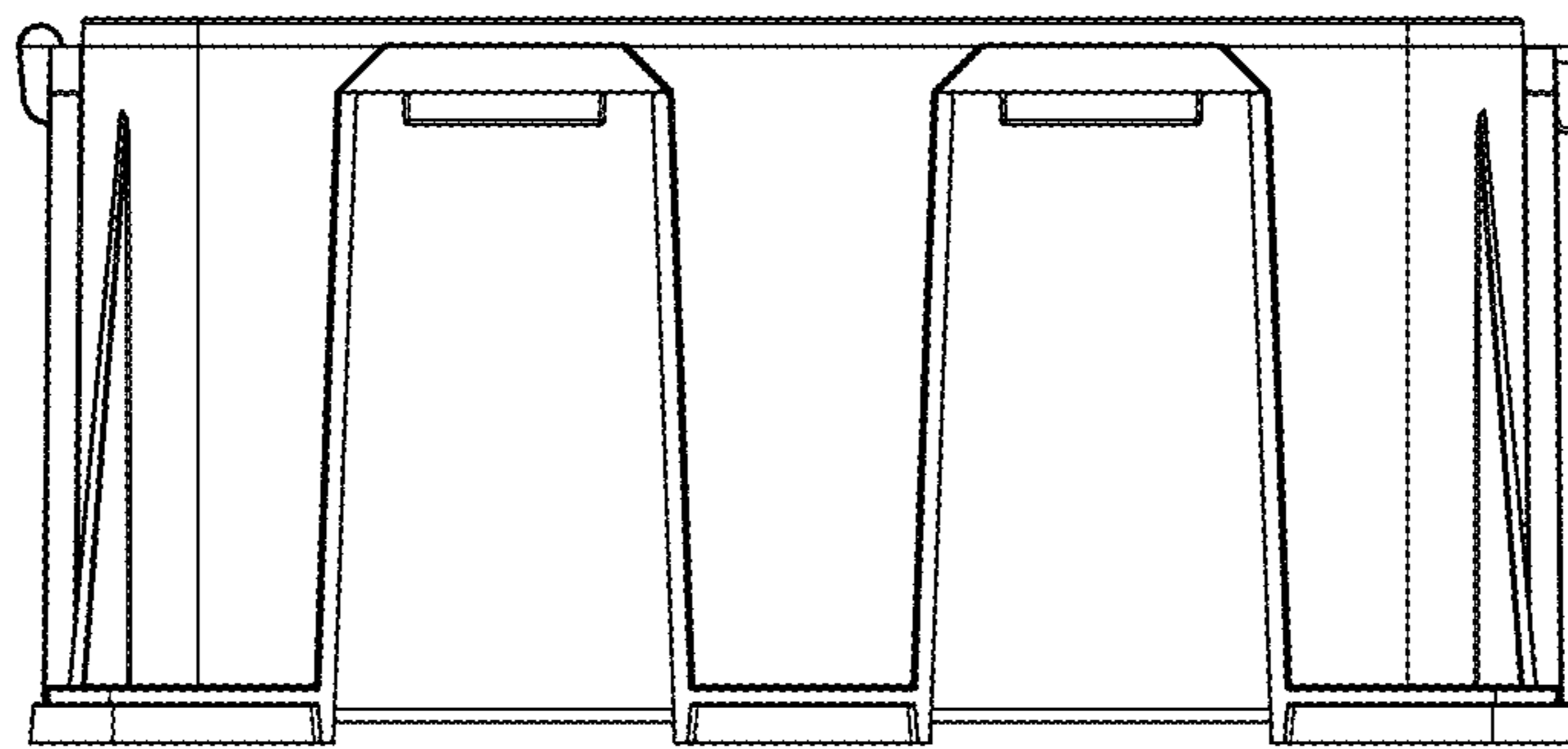


FIG. 13

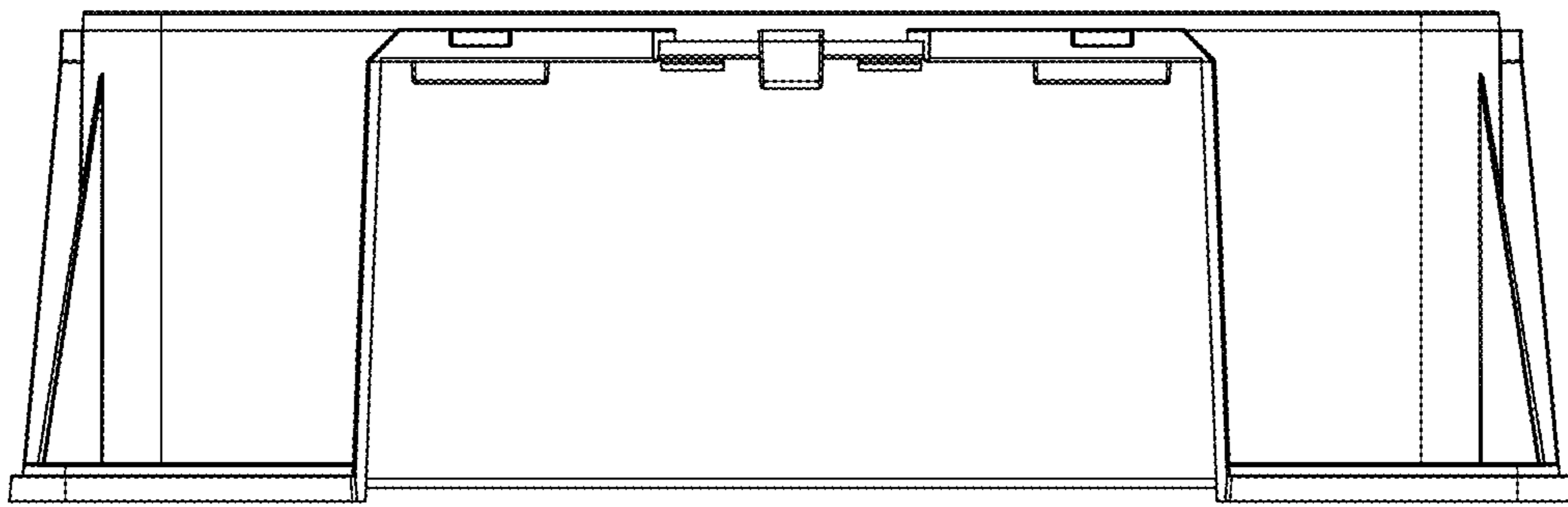


FIG. 14

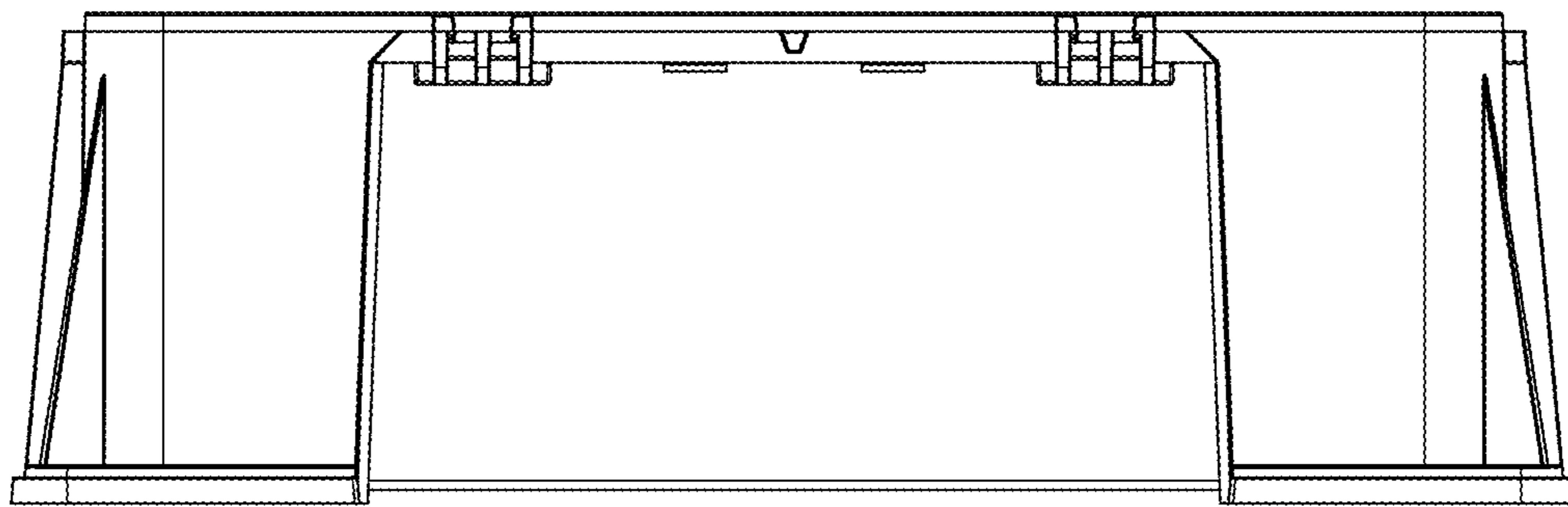


FIG. 15

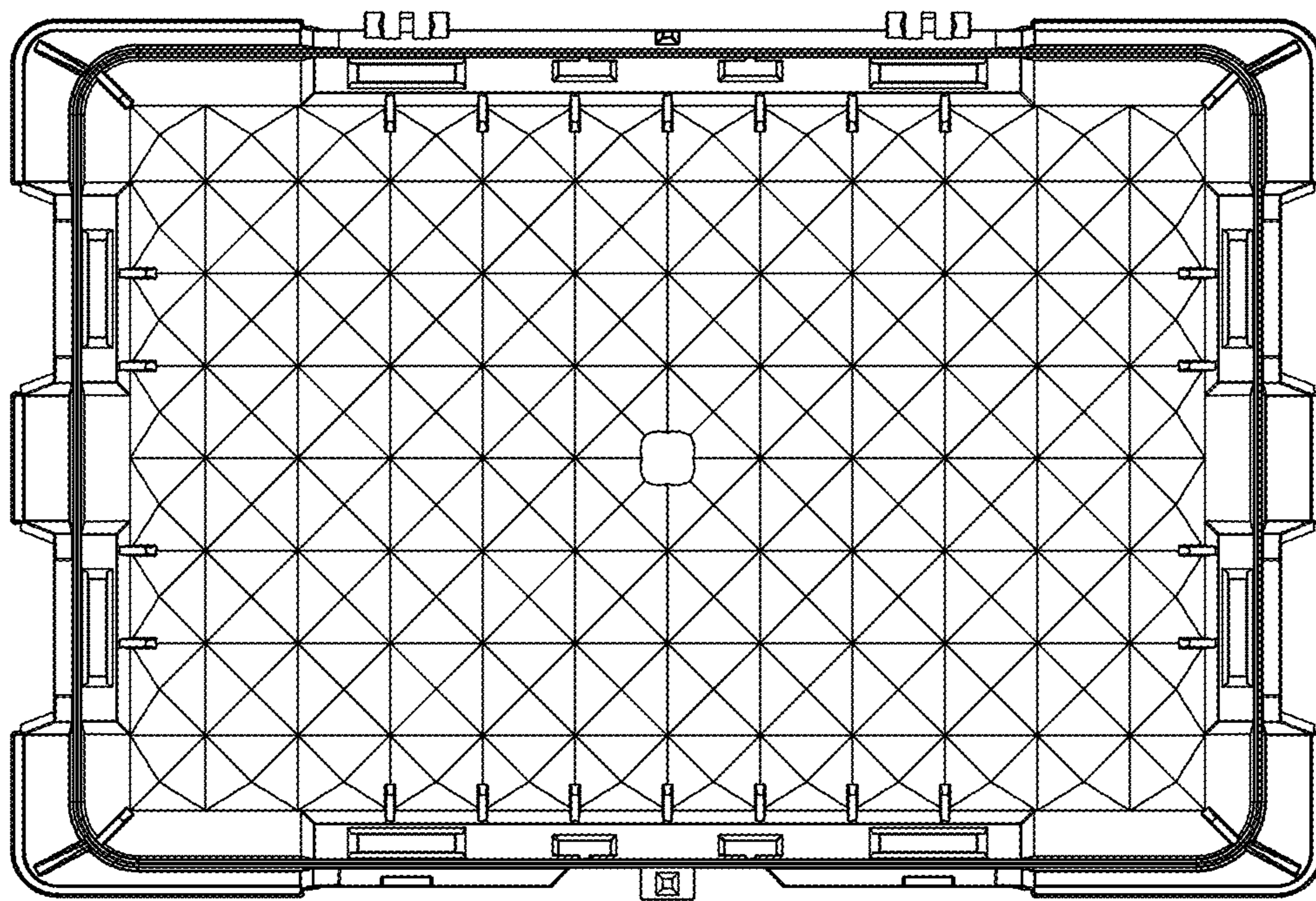


FIG. 16

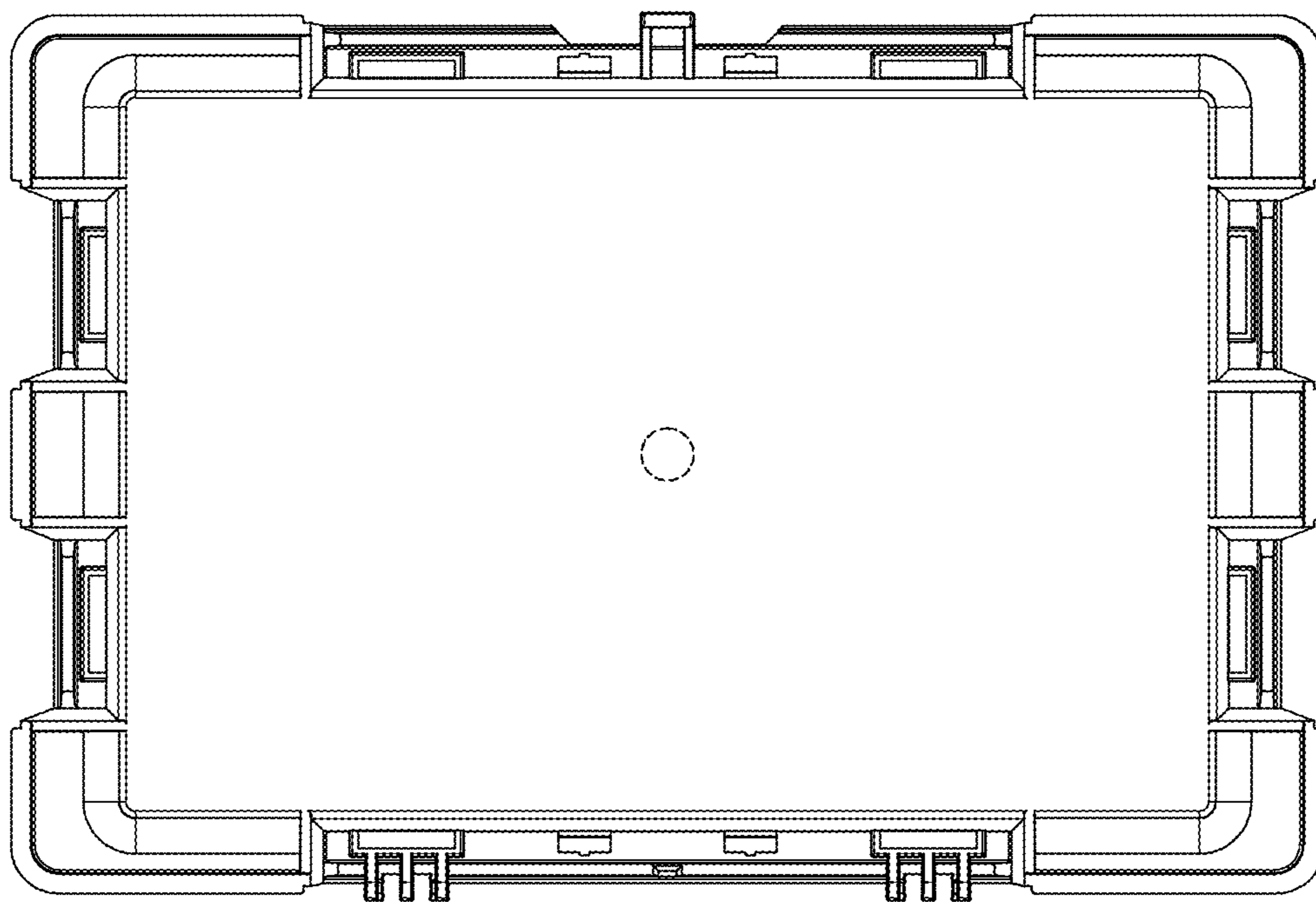


FIG. 17