



US00D888279S

(12) **United States Design Patent** (10) **Patent No.:** **US D888,279 S**  
**Buse** (45) **Date of Patent:** **\*\* Jun. 23, 2020**

(54) **RECEPTACLE HOLDER**  
(71) Applicant: **GEN-PROBE INCORPORATED**, San Diego, CA (US)  
(72) Inventor: **David A. Buse**, San Diego, CA (US)  
(73) Assignee: **Gen-Probe Incorporated**, San Diego, CA (US)

D478,193 S 8/2003 Routh  
D674,112 S 1/2013 Demas et al.  
D685,493 S \* 7/2013 Sato ..... D24/216  
D735,881 S 8/2015 Thomas  
D808,540 S \* 1/2018 Johns ..... D24/227  
D810,959 S 2/2018 Langhoff et al.  
D849,266 S \* 5/2019 Higgins ..... D24/227  
D852,977 S \* 7/2019 Suchocki ..... D24/226  
D853,816 S \* 7/2019 Schaz ..... D8/70  
D855,826 S 8/2019 Buse  
2002/0030044 A1\* 3/2002 Brown ..... B01L 7/52  
219/386

(\*\*) Term: **15 Years**

(21) Appl. No.: **29/698,619**

(22) Filed: **Jul. 18, 2019**

**Related U.S. Application Data**

(63) Continuation of application No. 29/610,161, filed on Jul. 10, 2017, now Pat. No. Des. 855,826.

(51) **LOC (12) Cl.** ..... **24-02**

(52) **U.S. Cl.**  
USPC ..... **D24/227**

(58) **Field of Classification Search**  
USPC ..... D24/107, 108, 121, 224–227, 230, 231, D24/232  
CPC ..... G01N 21/90  
See application file for complete search history.

(56) **References Cited**

**U.S. PATENT DOCUMENTS**

3,469,709 A \* 9/1969 Wood ..... B65F 1/141  
211/82  
3,994,594 A 11/1976 Sandrock et al.  
5,437,841 A 8/1995 Balmer  
D411,308 S 6/1999 Pandey et al.  
D438,632 S 3/2001 Miller  
D446,311 S \* 8/2001 Wescott, III ..... D24/230  
D476,088 S \* 6/2003 Wescott, III ..... D24/230

\* cited by examiner

*Primary Examiner* — Susan Bennett Hattan  
*Assistant Examiner* — Omeed Agilee  
(74) *Attorney, Agent, or Firm* — Sterne, Kessler, Goldstein & Fox P.L.L.C.; Charles B. Cappellari

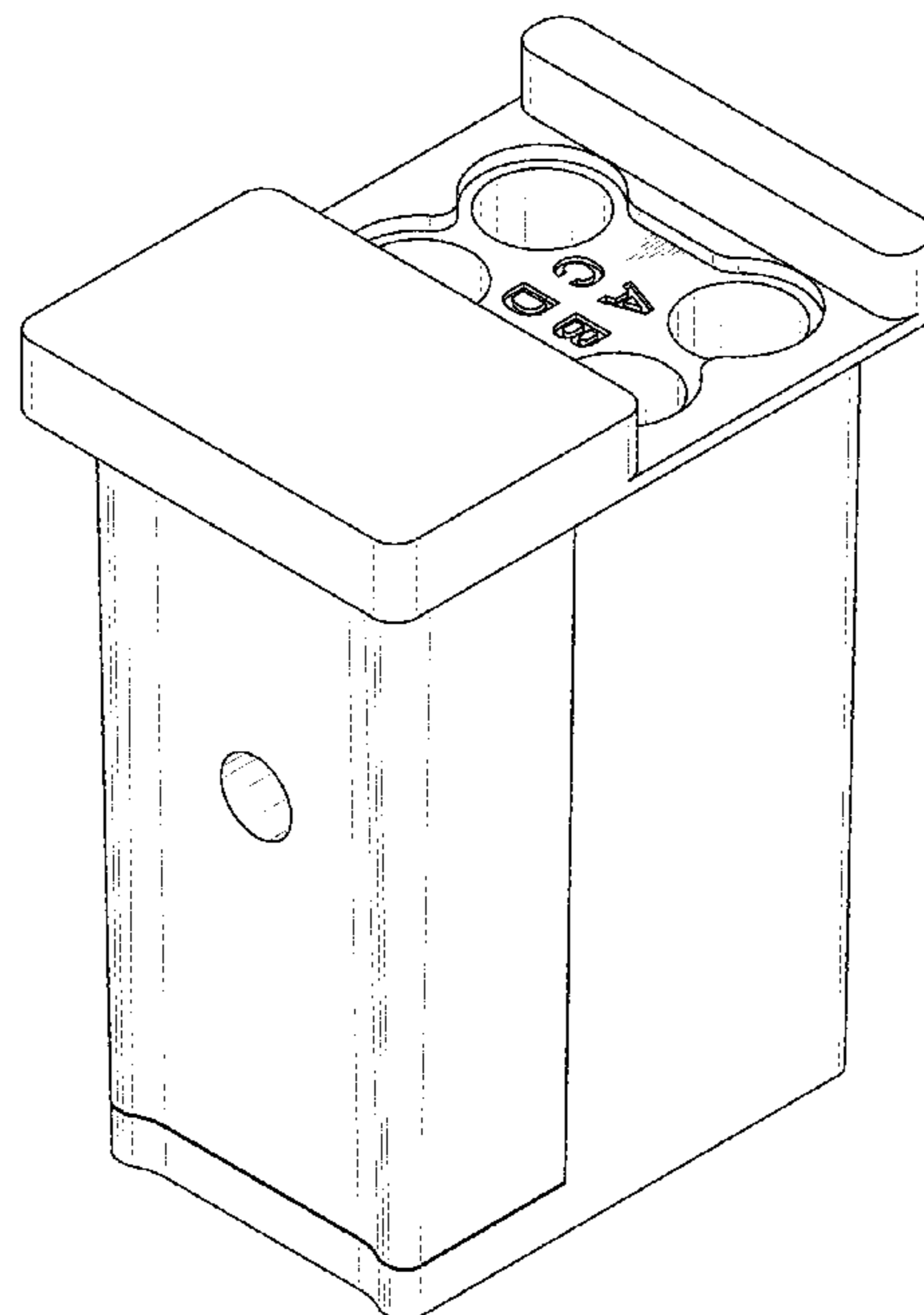
(57) **CLAIM**

The ornamental design for a receptacle holder, as shown and described.

**DESCRIPTION**

FIG. 1 is a top front perspective view of a receptacle holder showing the claimed design;  
FIG. 2 is a bottom rear perspective view thereof;  
FIG. 3 is a front view thereof;  
FIG. 4 is a rear view thereof;  
FIG. 5 is a left side view thereof;  
FIG. 6 is a right side view thereof;  
FIG. 7 is a top view thereof; and,  
FIG. 8 is a bottom view thereof.  
The dashed broken lines in the figures show portions of the receptacle holder that form no part of the claimed design. The dot-dash broken lines in the figures show boundaries that form no part of the claimed design.

**1 Claim, 8 Drawing Sheets**



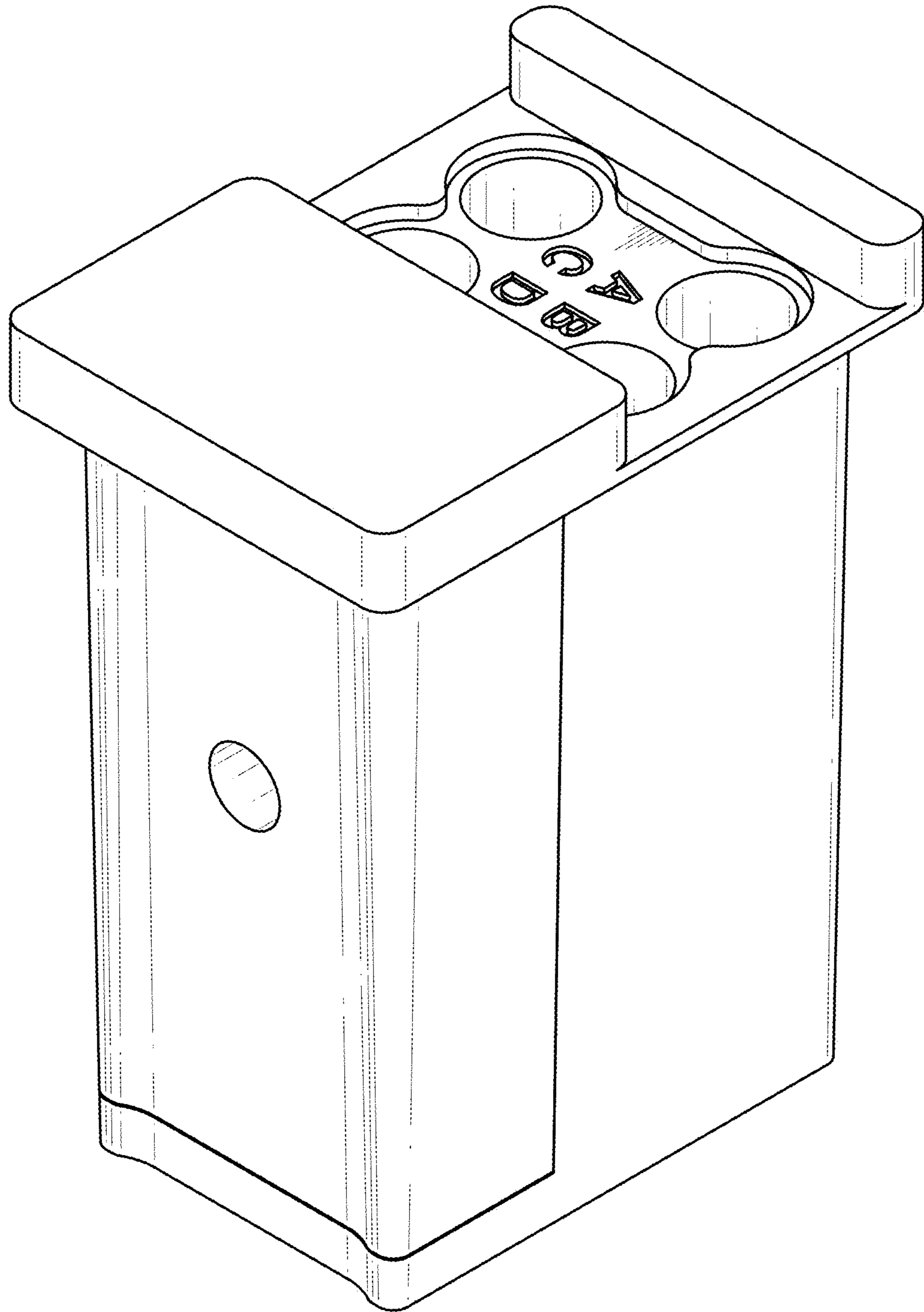
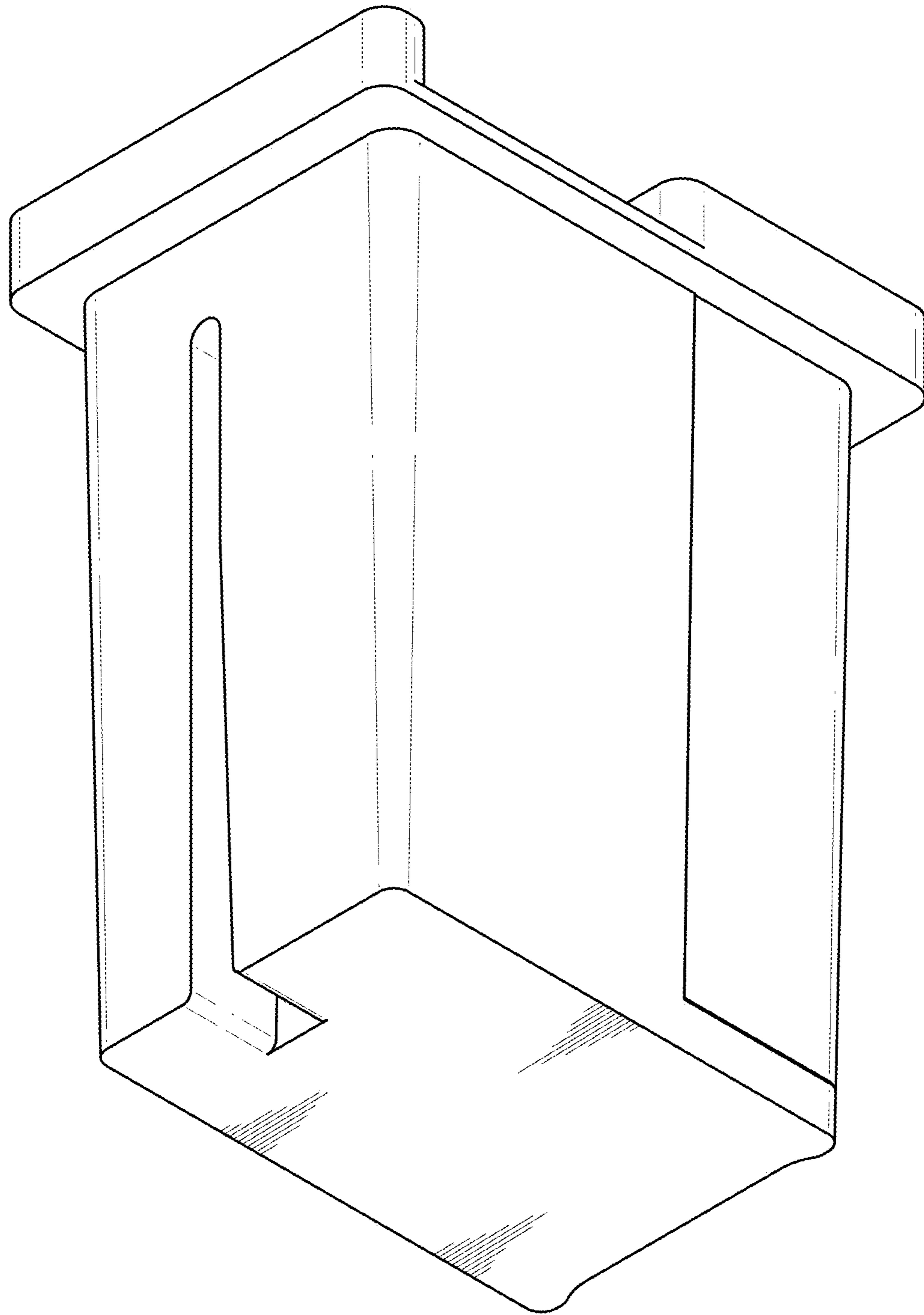
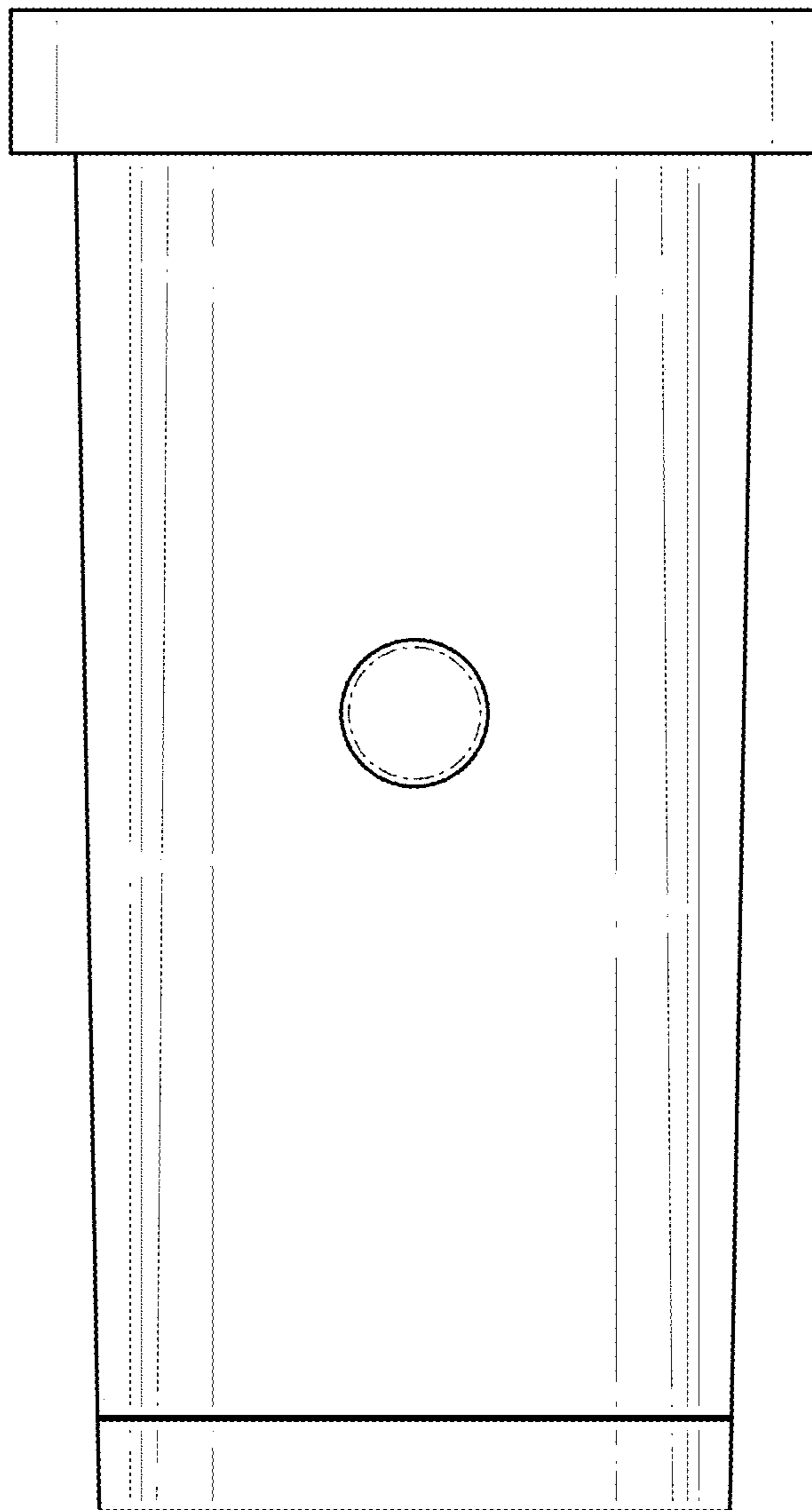


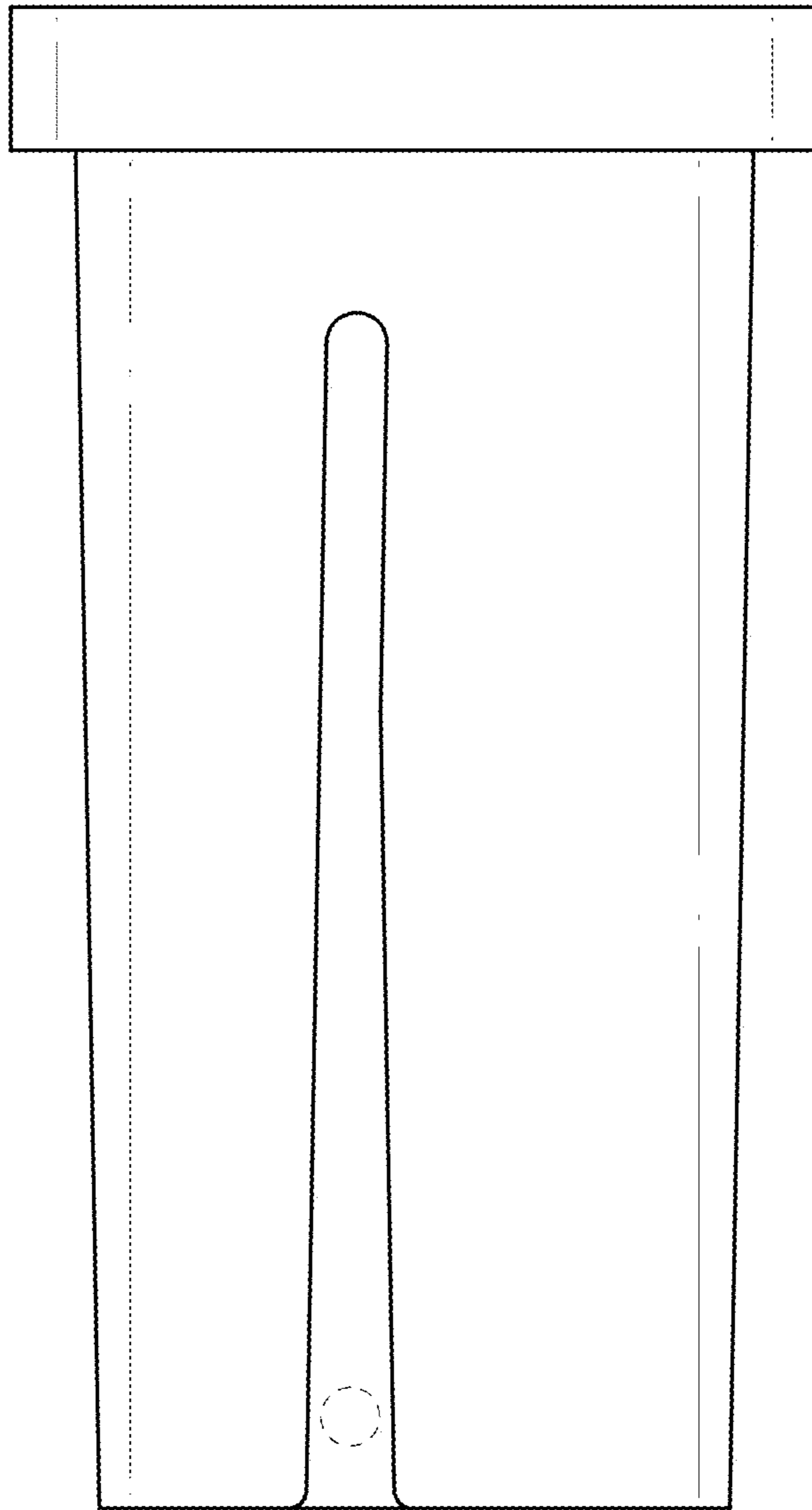
FIG. 1



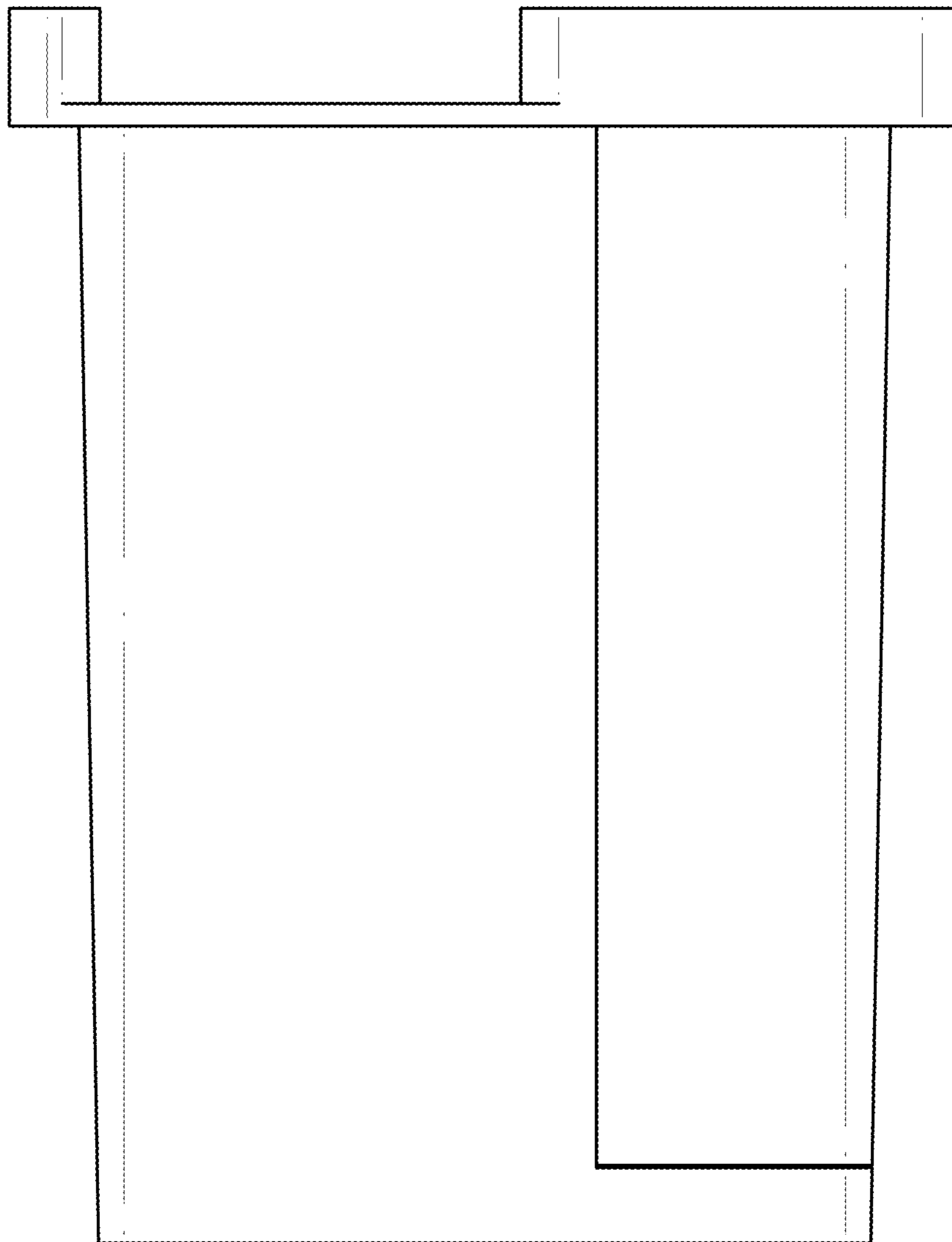
**FIG. 2**



**FIG. 3**



**FIG. 4**



**FIG. 5**

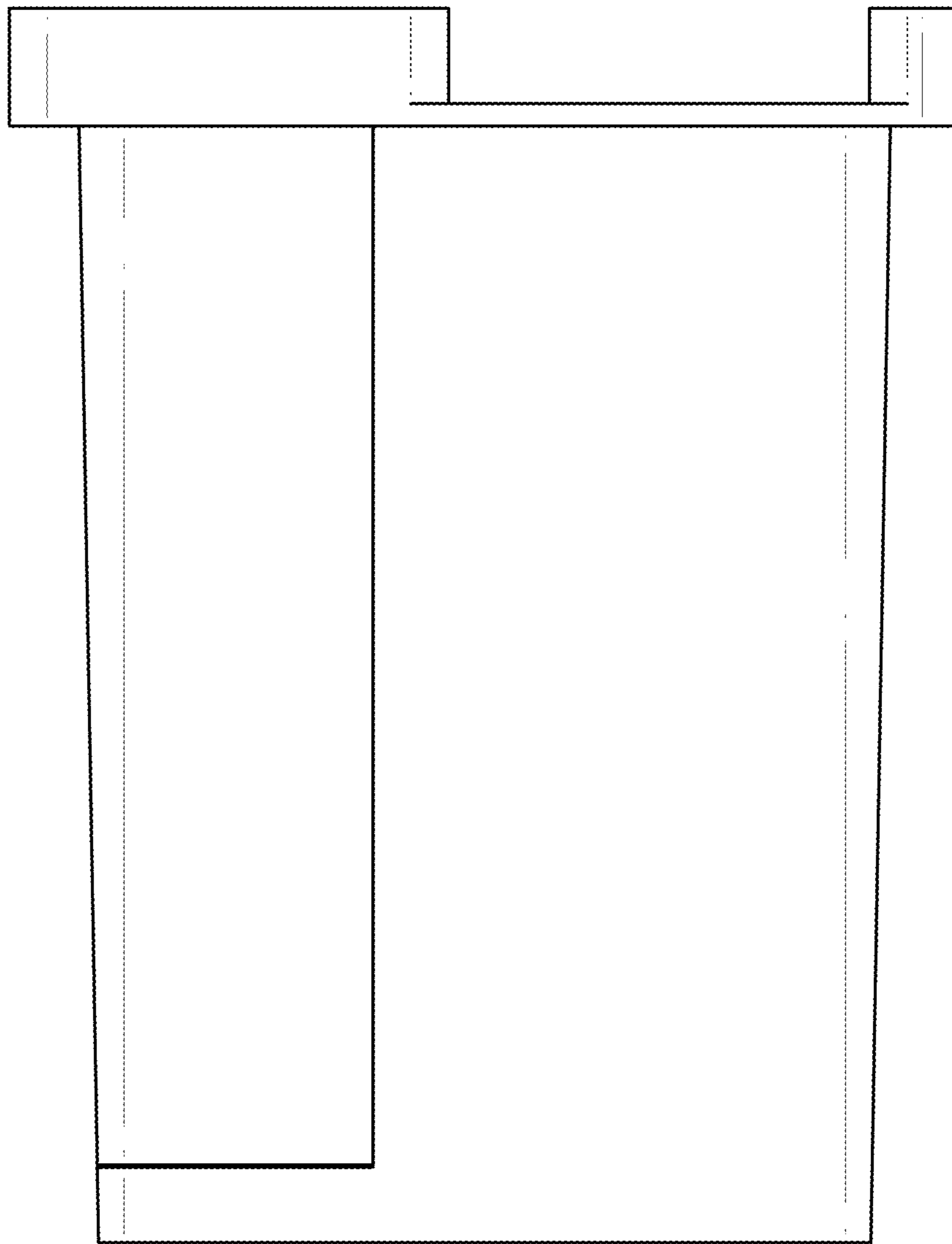


FIG. 6

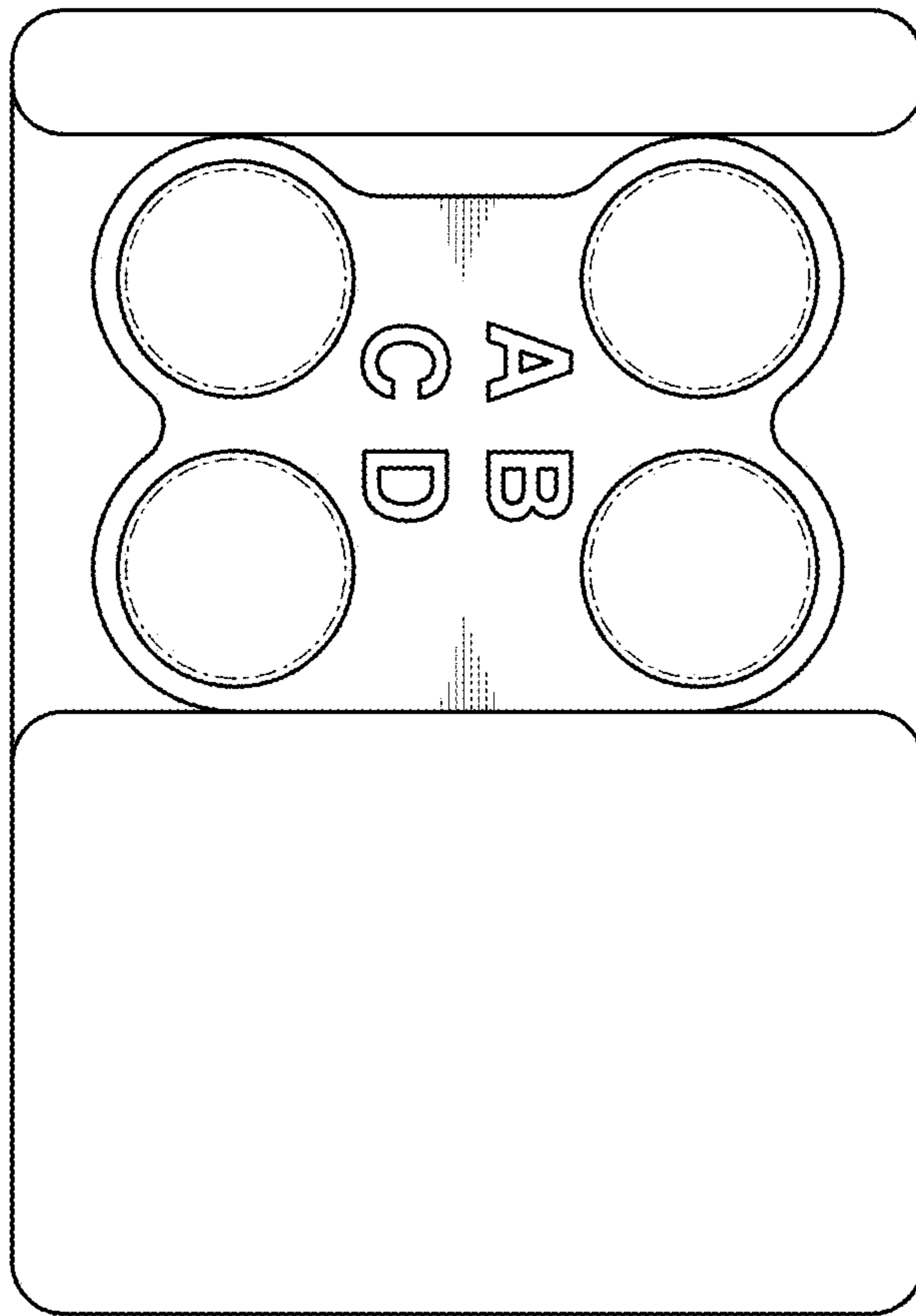
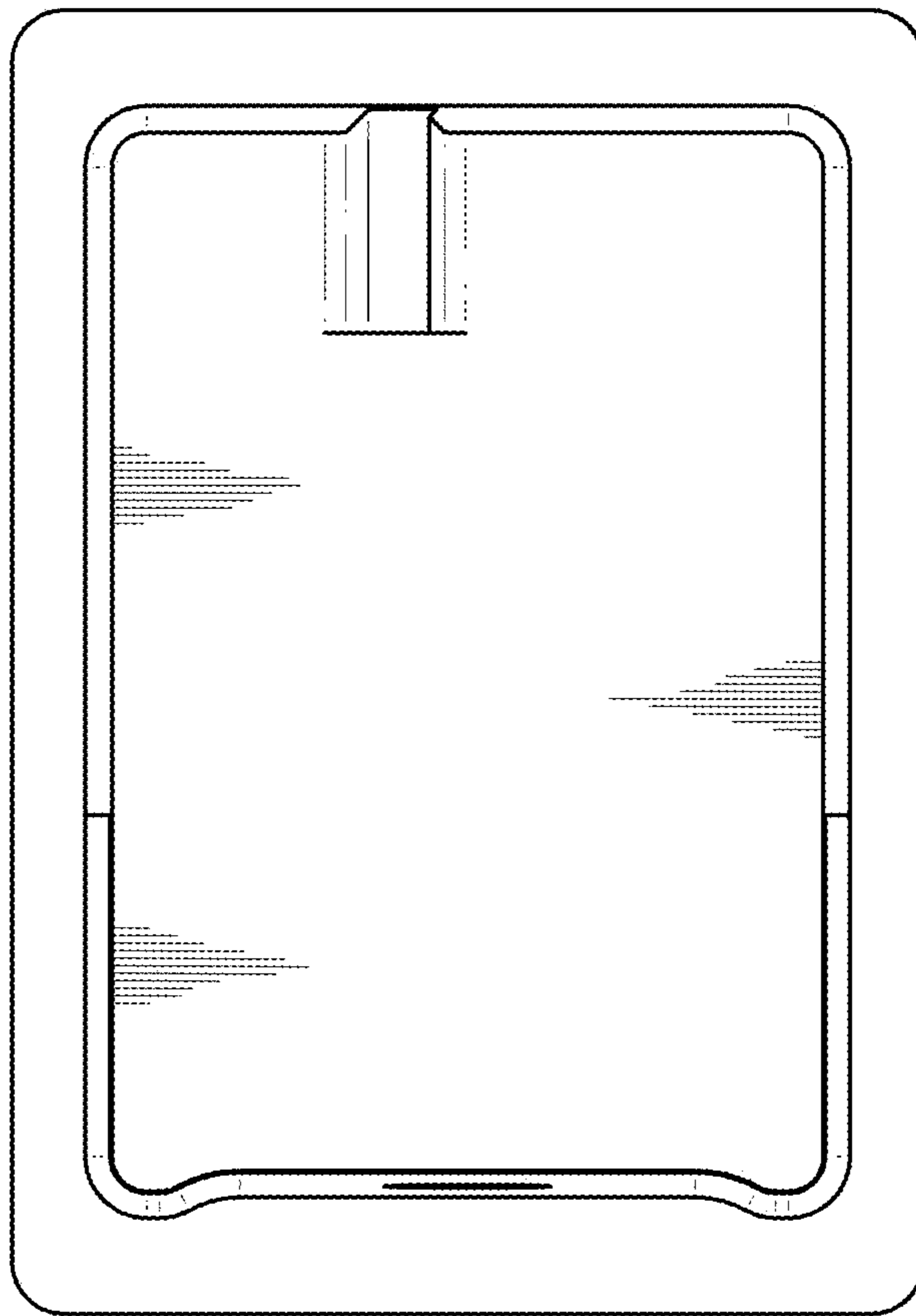


FIG. 7





**FIG. 8**