



US00D888278S

(12) **United States Design Patent**  
**Madigan et al.**

(10) **Patent No.:** **US D888,278 S**

(45) **Date of Patent:** **\*\* Jun. 23, 2020**

(54) **VIAL RACK**

(71) Applicants: **Richard Madigan**, Hingham, MA (US);  
**Connor Madigan**, Foxborough, MA (US)

(72) Inventors: **Richard Madigan**, Hingham, MA (US);  
**Connor Madigan**, Foxborough, MA (US)

(73) Assignee: **Accutech Packaging, Inc.**, Foxboro, MA (US)

(\*\*) Term: **15 Years**

(21) Appl. No.: **29/691,423**

(22) Filed: **May 16, 2019**

(51) **LOC (12) Cl.** ..... **24-01**

(52) **U.S. Cl.**  
USPC ..... **D24/227**

(58) **Field of Classification Search**  
USPC ..... D24/107, 216, 219, 223–232, 121;  
D10/81  
CPC .. B01L 9/52; B01L 9/523; B01L 9/527; B01L 9/06; A61J 1/165; A61J 1/1468  
See application file for complete search history.

(56) **References Cited**

**U.S. PATENT DOCUMENTS**

D421,130 S \* 2/2000 Cohen ..... D24/229  
D448,087 S \* 9/2001 Regan ..... D24/225

D675,338 S \* 1/2013 Suzuki ..... D24/229  
D701,972 S \* 4/2014 Ohmae ..... D24/229  
D812,244 S \* 3/2018 Shanafelter ..... D24/230  
D814,653 S \* 4/2018 Shedlosky ..... D24/229  
D837,401 S \* 1/2019 Gardner ..... D24/230  
D875,272 S \* 2/2020 Muller ..... D24/224

\* cited by examiner

*Primary Examiner* — Anhdao Doan

(74) *Attorney, Agent, or Firm* — Salter & Michaelson

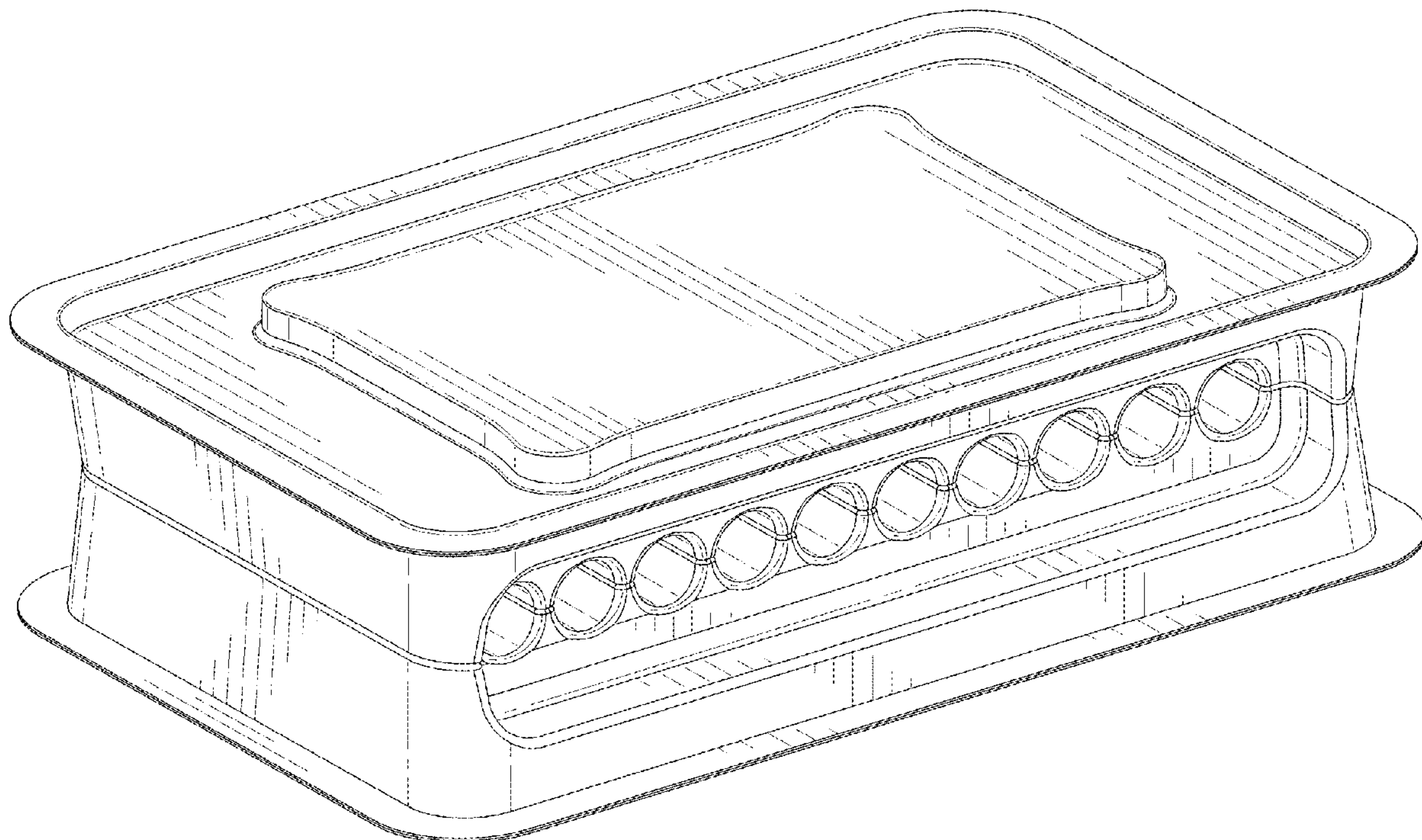
(57) **CLAIM**

The ornamental design for a vial rack, as shown.

**DESCRIPTION**

FIG. 1 is a top perspective view of a vial rack;  
FIG. 2 is a top plan view thereof;  
FIG. 3 is a bottom plan view thereof;  
FIG. 4 is a front elevational view thereof;  
FIG. 5 is a rear elevational view thereof;  
FIG. 6 is a left side elevational view thereof;  
FIG. 7 is a right side elevational view thereof;  
FIG. 8 is an enlarged cross-sectional view thereof taken in the direction of line 8-8 of FIG. 6; and,  
FIG. 9 is an enlarged cross-sectional view thereof taken in the direction of line 9-9 of FIG. 8.

**1 Claim, 7 Drawing Sheets**



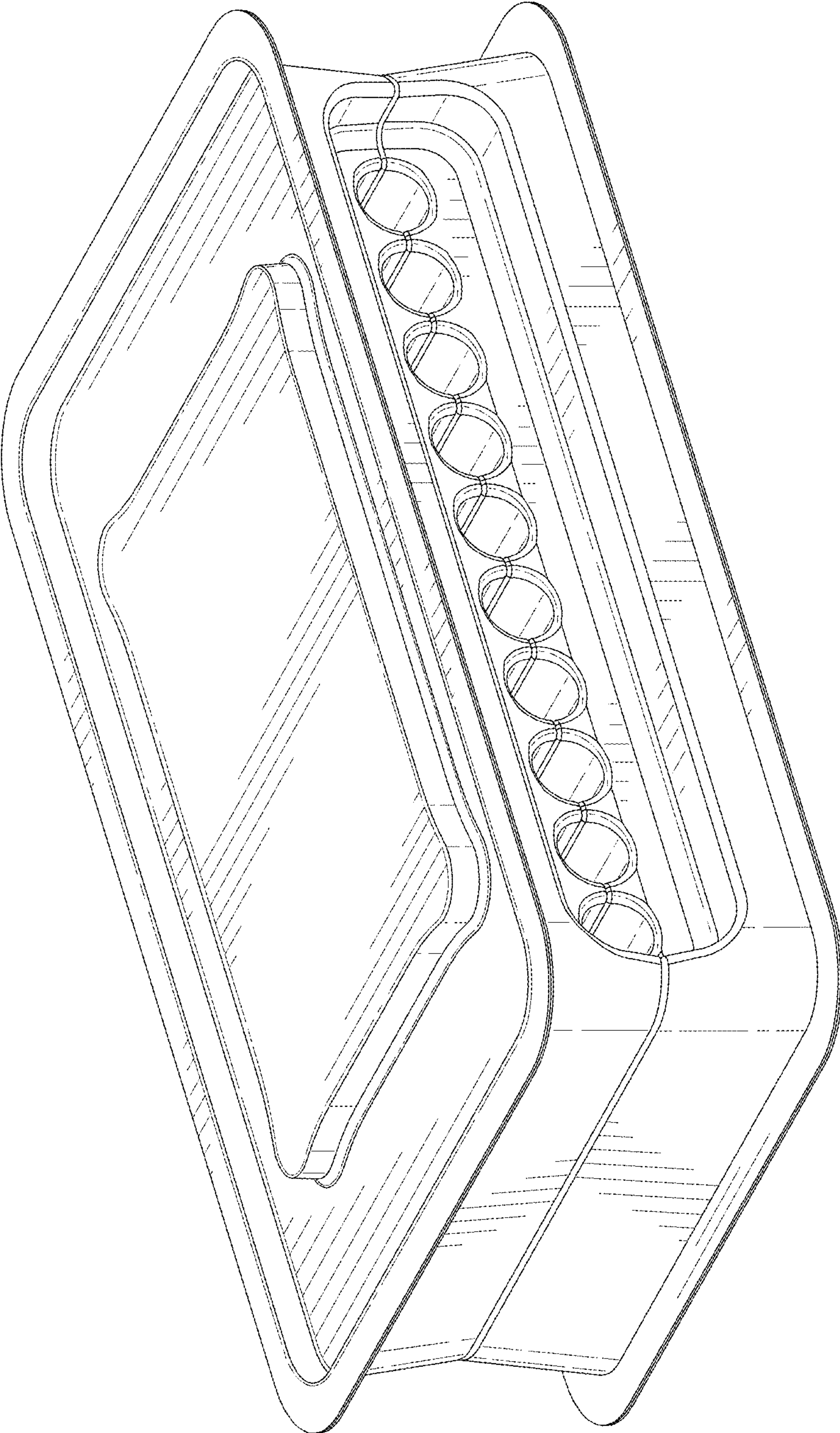


FIG. 1

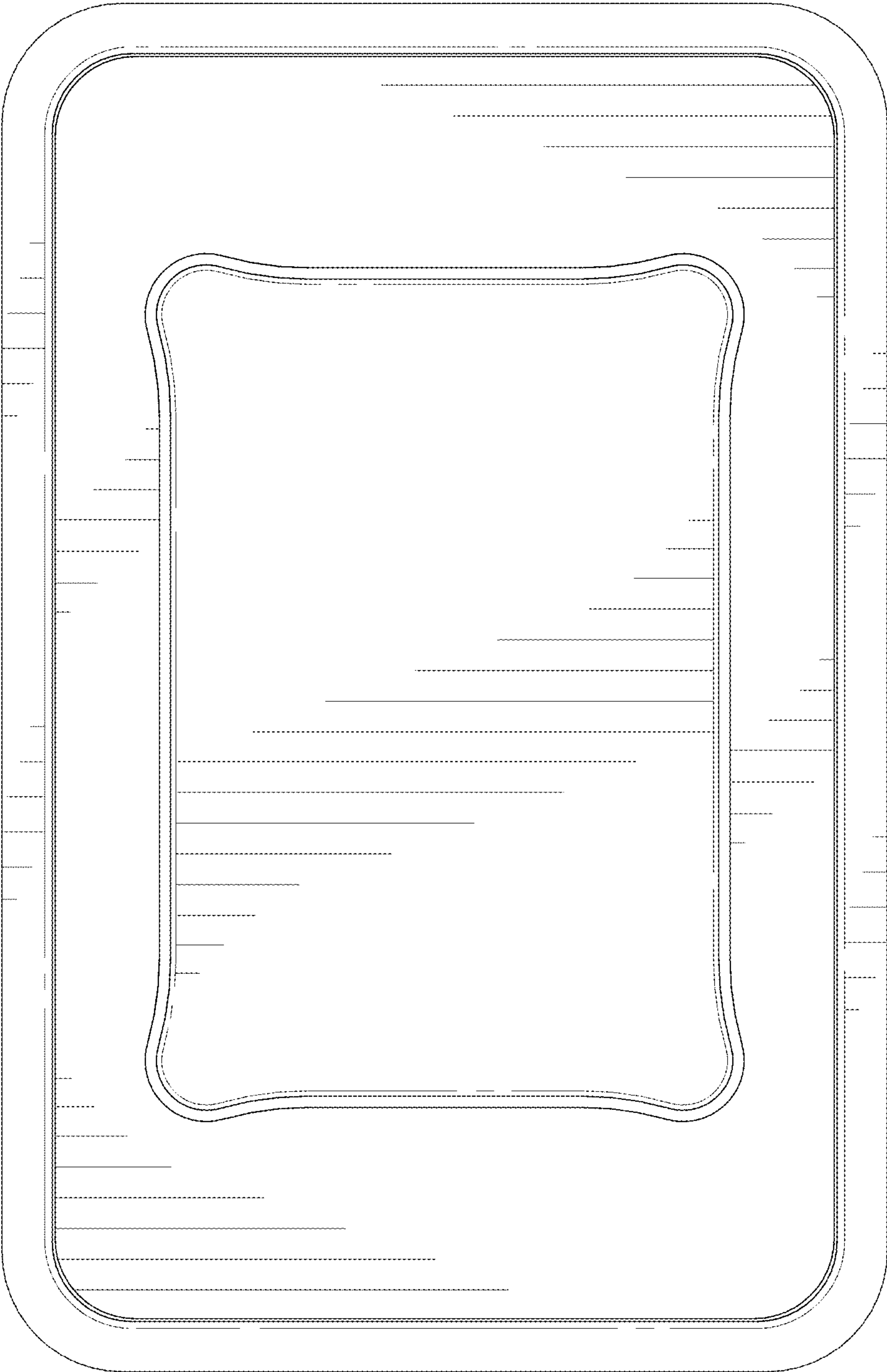


FIG. 2



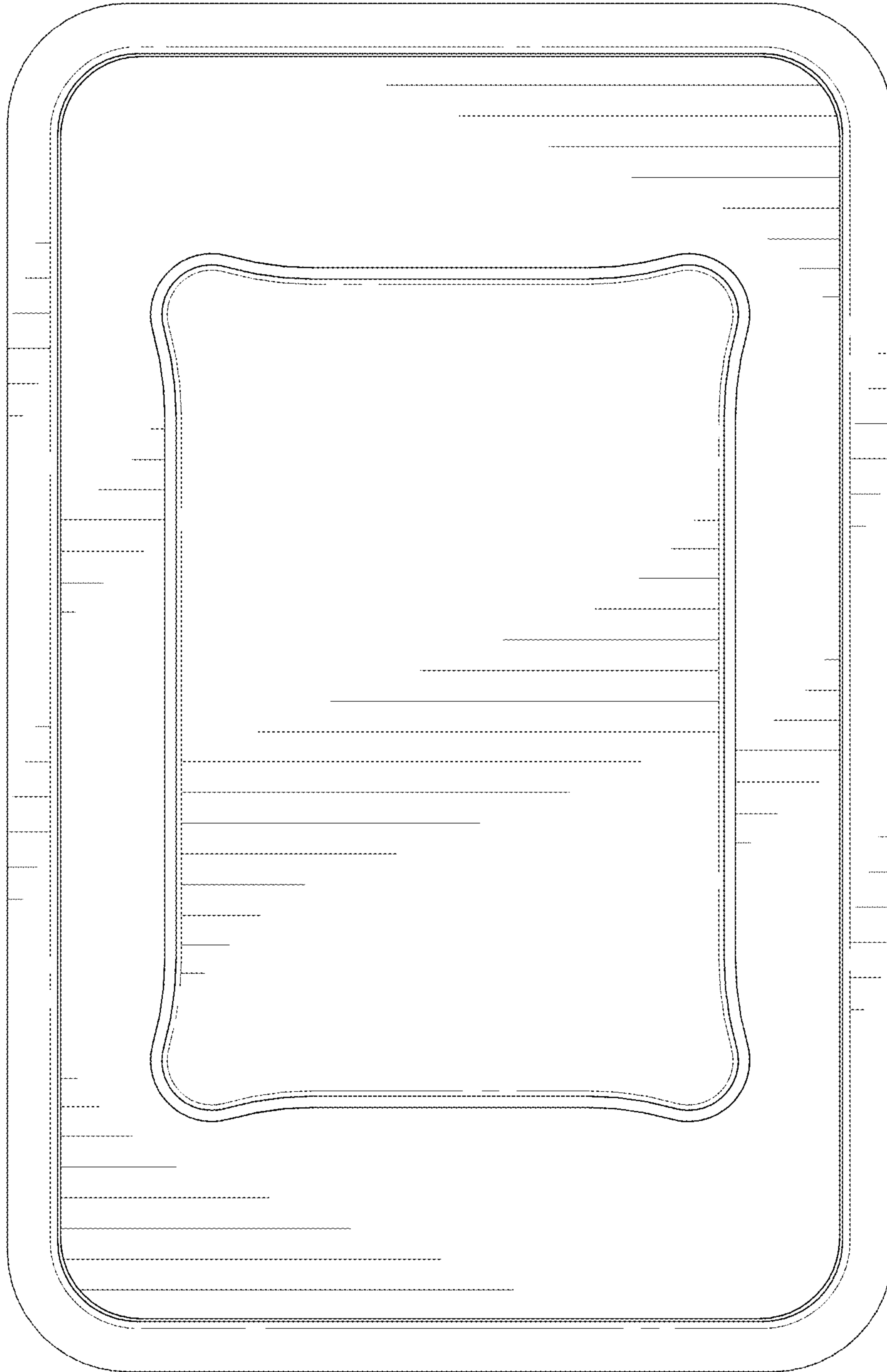


FIG. 3

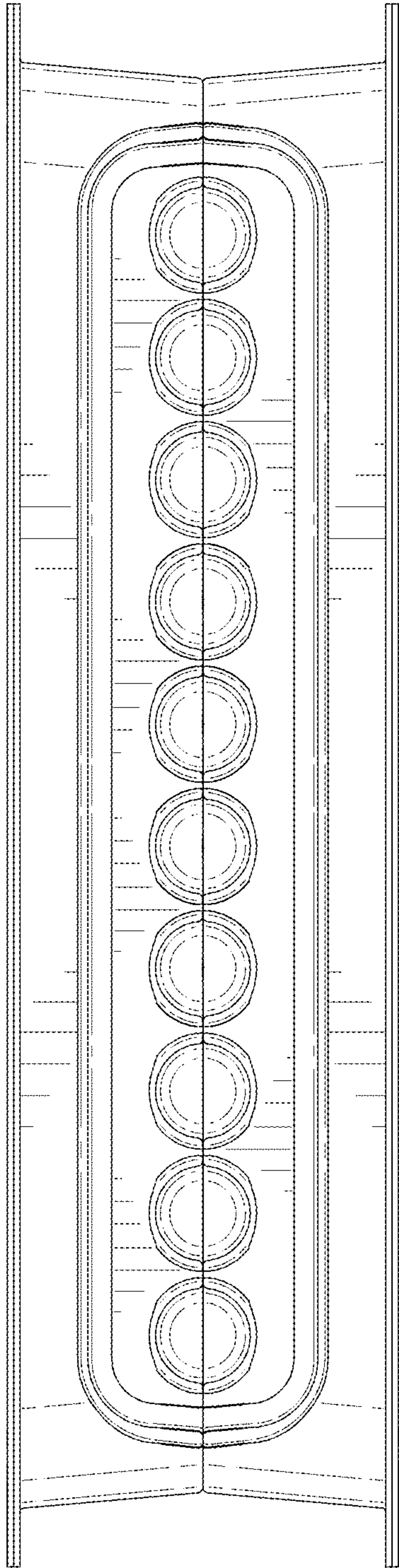


FIG. 4

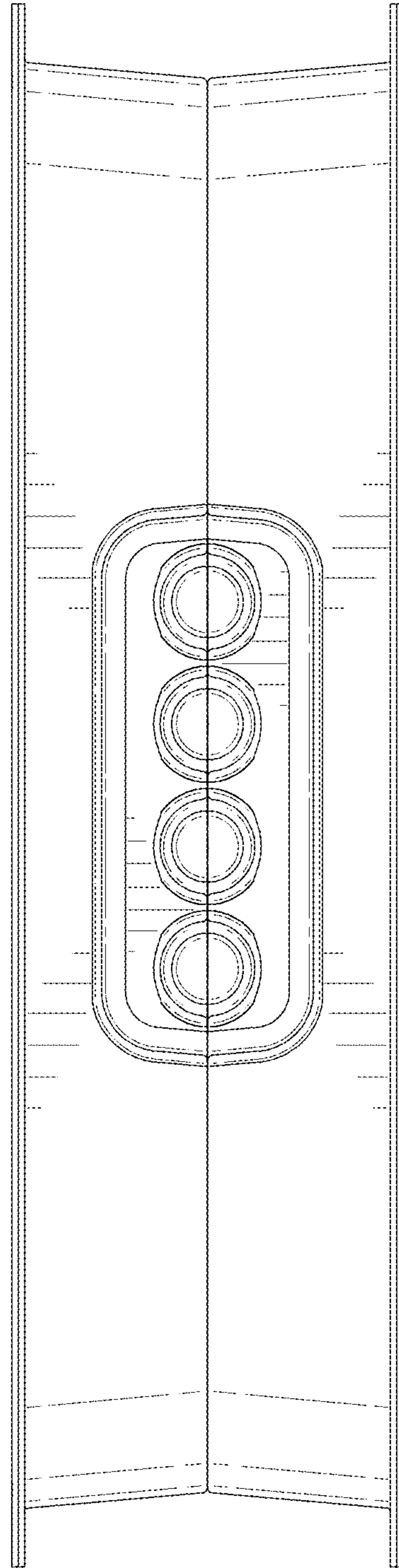


FIG. 5

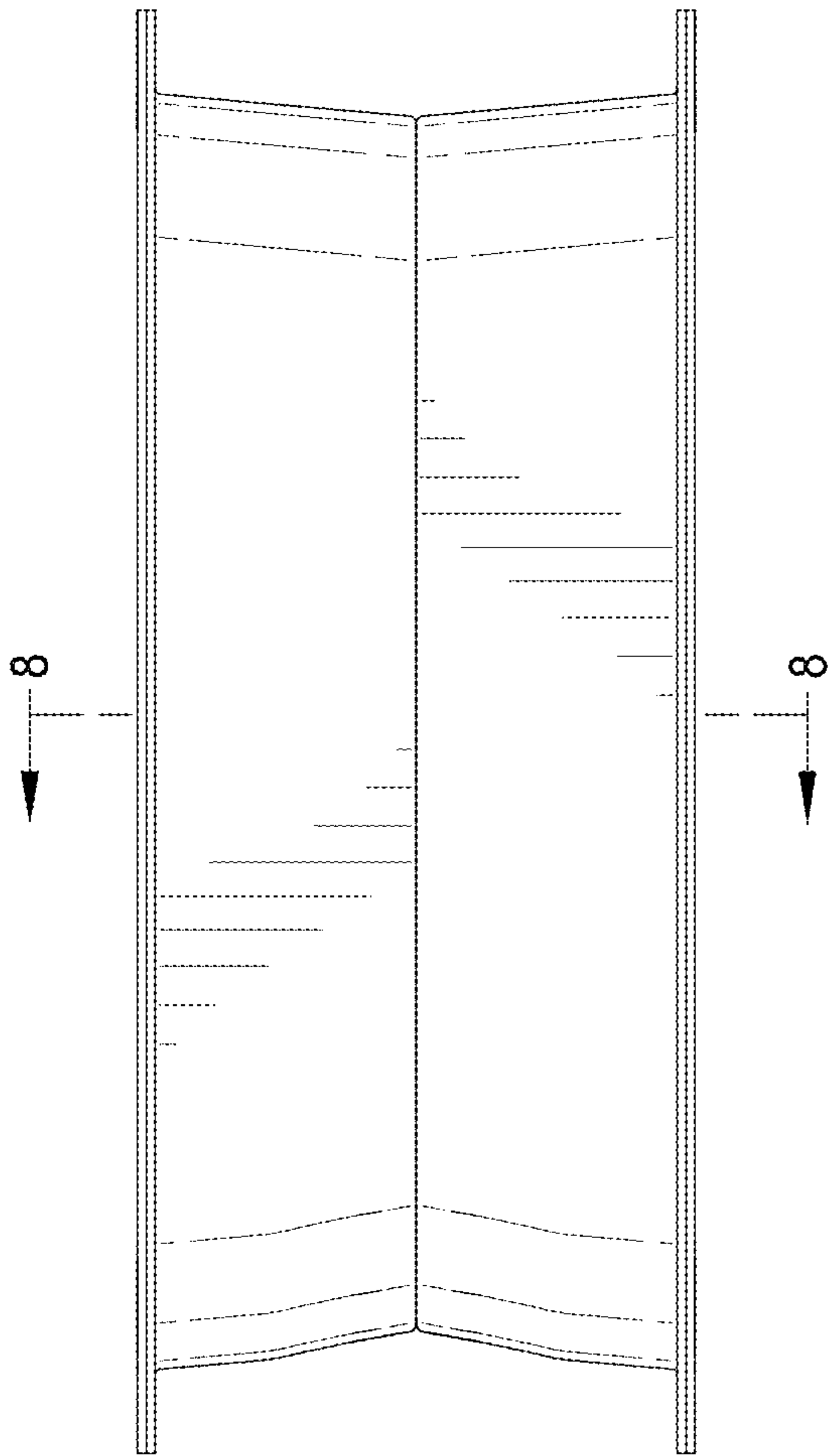


FIG. 6

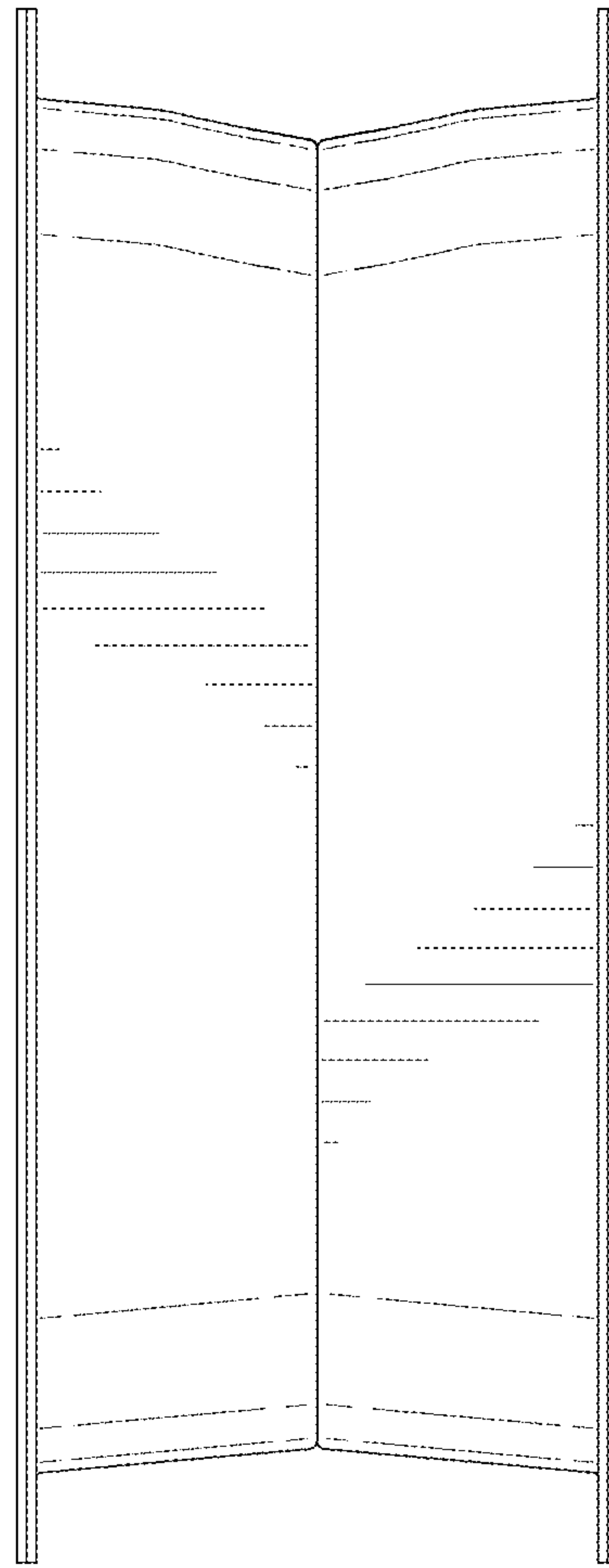


FIG. 7

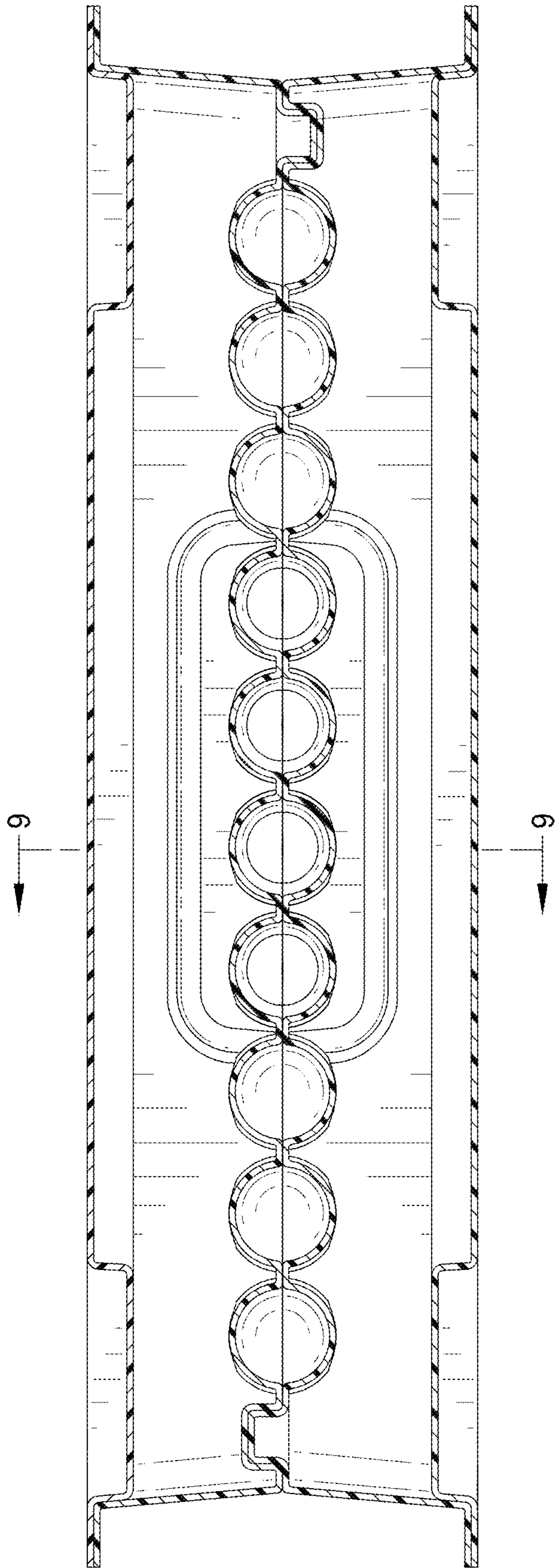


FIG. 8

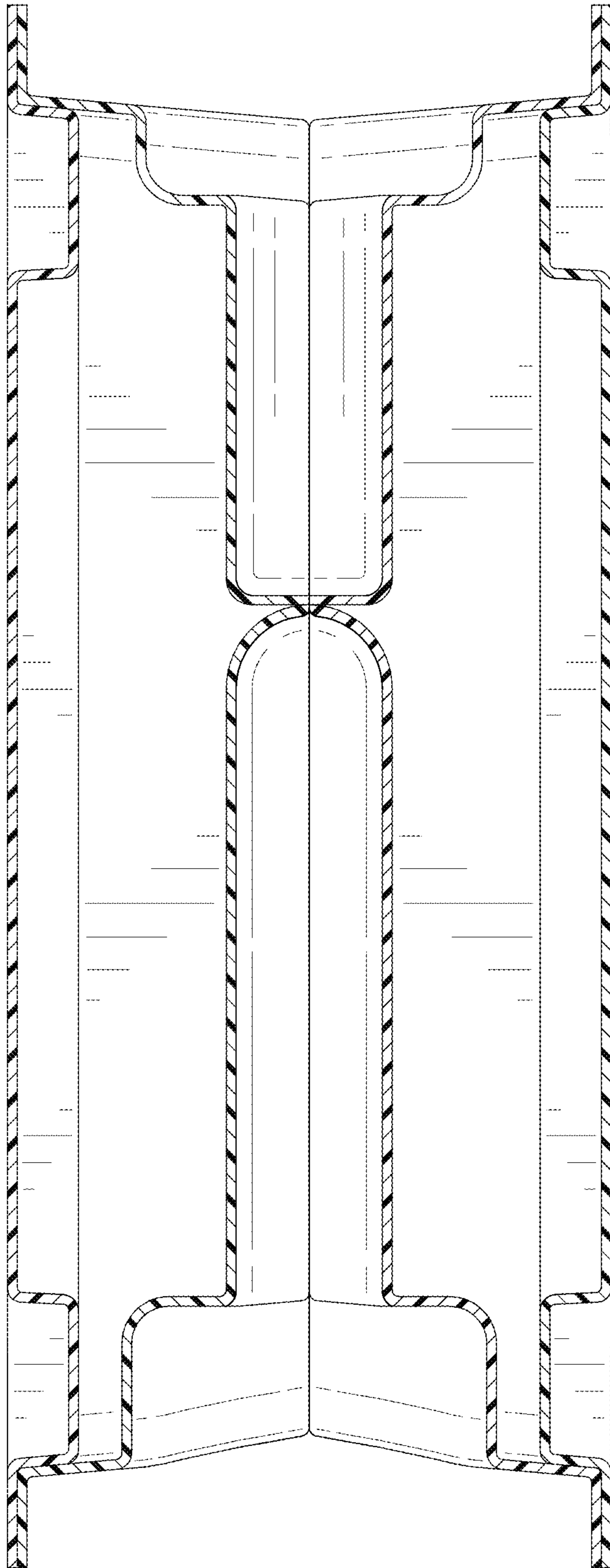


FIG. 9