



US00D888276S

(12) **United States Design Patent**
Ito et al.

(10) **Patent No.:** **US D888,276 S**
(45) **Date of Patent:** **** Jun. 23, 2020**

(54) **SUBSTRATE FOR SPECTROSCOPIC ANALYSIS**

- (71) Applicant: **HAMAMATSU PHOTONICS K.K.**,
Hamamatsu-shi, Shizuoka (JP)
- (72) Inventors: **Masashi Ito**, Hamamatsu (JP);
Katsumi Shibayama, Hamamatsu (JP);
Kazuto Ofuji, Hamamatsu (JP);
Yoshihiro Maruyama, Hamamatsu (JP)
- (73) Assignee: **HAMAMATSU PHOTONICS K.K.**,
Hamamatsu-shi, Shizuoka (JP)

(**) Term: **15 Years**

(21) Appl. No.: **29/646,864**

(22) Filed: **May 8, 2018**

Related U.S. Application Data

(62) Division of application No. 35/502,704, filed on Sep. 30, 2016 (U.S. filing date under 35 U.S.C. 384), and (Continued)

(30) **Foreign Application Priority Data**

Apr. 27, 2016 (JP) 2016-009318
Apr. 27, 2016 (JP) 2016-009320

(51) **LOC (12) Cl.** **24-02**

(52) **U.S. Cl.**
USPC **D24/225**

(58) **Field of Classification Search**
USPC D16/130, 131; D24/225–227, 229–231;
356/244–246; 359/391–398
(Continued)

(56) **References Cited**

U.S. PATENT DOCUMENTS

3,736,042 A 5/1973 Markovits et al.
D273,898 S 5/1984 Valencia
(Continued)

OTHER PUBLICATIONS

Notice of Allowance dated Aug. 28, 2018 in U.S. Appl. No. 35/502,704.

Primary Examiner — Richard E Chilcot

(74) *Attorney, Agent, or Firm* — Faegre Drinker Biddle & Reath LLP

(57) **CLAIM**

The ornamental design for a substrate for spectroscopic analysis, as shown and described.

DESCRIPTION

FIG. 1 is a perspective view of a substrate for spectroscopic analysis of the present invention.

FIG. 2 is a front view of the substrate for spectroscopic analysis of FIG. 1.

FIG. 3 is a back view of the substrate for spectroscopic analysis of FIG. 1.

FIG. 4 is a top view of the substrate for spectroscopic analysis of FIG. 1.

FIG. 5 is a bottom view of the substrate for spectroscopic analysis of FIG. 1.

FIG. 6 is a left view of the substrate for spectroscopic analysis of FIG. 1.

FIG. 7 is a right view of the substrate for spectroscopic analysis of FIG. 1.

FIG. 8 is a sectional view taken along the line 8-8 of the substrate for spectroscopic analysis of FIG. 2.

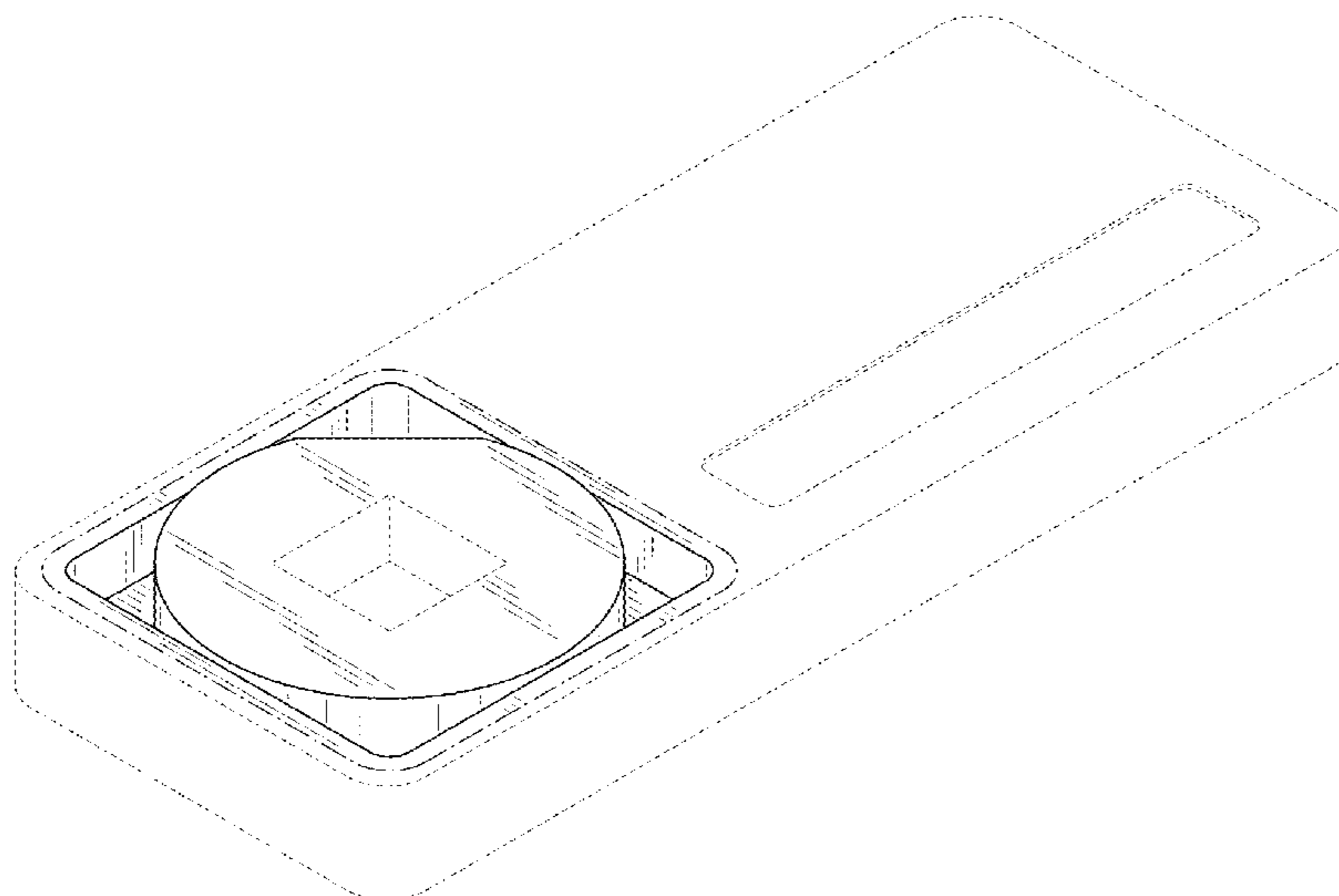
FIG. 9 is a sectional view taken along the line 9-9 of the substrate for spectroscopic analysis of FIG. 2; and,

FIG. 10 is a perspective view without the cover part of the substrate for spectroscopic analysis of FIG. 1.

The broken line showing of the substrate for spectroscopic analysis is for the purpose of illustrating environmental structure and forms no part of the claimed design.

The dot-dash broken lines define the bounds of the claimed design and form no part thereof.

1 Claim, 10 Drawing Sheets



Related U.S. Application Data

having an international filing date of Sep. 30, 2016,
now Pat. No. Des. 838,001.

(52) **U.S. Cl.**
CPC **G02B 21/00** (2013.01)

(58) **Field of Classification Search**
CPC G02B 21/34; G02B 21/00; G02B 21/0004;
G01N 1/28; G01N 1/30; G01N 1/2806;
G01N 1/312; B01L 3/502723; B01L
3/502738; B01L 3/5085

See application file for complete search history.

(56) **References Cited**

U.S. PATENT DOCUMENTS

D274,261	S	6/1984	Valencia
4,761,381	A	8/1988	Blatt et al.
D302,294	S	7/1989	Hillman
D320,269	S	9/1991	Hammond
D324,426	S	3/1992	Fan et al.
D328,135	S	7/1992	Fan et al.
D351,913	S	10/1994	Hieb et al.
D366,938	S	2/1996	Shartle et al.
D383,852	S	9/1997	Shartle et al.
D395,708	S	6/1998	Shartle et al.
5,784,193	A	7/1998	Ferguson
5,812,312	A	9/1998	Lorincz
D461,906	S	8/2002	Pham
D467,348	S	12/2002	McMichael et al.
D500,142	S	12/2004	Crisanti et al.
D512,512	S	12/2005	Bell et al.
D528,215	S	9/2006	Malmsater
D530,826	S	10/2006	Rich et al.
D531,321	S	10/2006	Godfrey et al.
D540,953	S	4/2007	Ramel et al.
D559,995	S	1/2008	Handique et al.
D621,060	S	8/2010	Handique

D636,893	S	4/2011	Nicholls et al.	
D639,976	S	6/2011	Francis et al.	
D639,977	S	6/2011	Francis et al.	
D640,389	S	6/2011	Francis et al.	
D669,191	S	10/2012	Handique	
8,330,951	B2	12/2012	Li et al.	
D676,145	S	2/2013	Kouge et al.	
D679,024	S	3/2013	Kouge et al.	
D683,045	S	5/2013	Domack	
D692,578	S	10/2013	Kikuhara et al.	
D700,711	S	3/2014	Kikuhara et al.	
D702,364	S	4/2014	Iqbal et al.	
8,709,787	B2	4/2014	Handique	
D733,911	S	7/2015	Ito et al.	
D733,912	S	7/2015	Ito et al.	
D733,913	S	7/2015	Ito et al.	
D735,877	S	8/2015	Chang	
D739,954	S	9/2015	Ito et al.	
D740,439	S	10/2015	Ito et al.	
D740,440	S	10/2015	Ito et al.	
D750,799	S	3/2016	Ito et al.	
D750,800	S	3/2016	Ito et al.	
D754,871	S	4/2016	Morrell-Falvey et al.	
D762,874	S	8/2016	Ito et al.	
D835,798	S *	12/2018	Ito	D24/225
D835,799	S *	12/2018	Ito	D24/225
D835,800	S *	12/2018	Ito	D24/225
D835,801	S *	12/2018	Ito	D24/225
D835,802	S *	12/2018	Ito	D24/225
D835,803	S *	12/2018	Ito	D24/225
D835,804	S *	12/2018	Ito	D24/225
D836,211	S *	12/2018	Ito	D24/225
D838,001	S *	1/2019	Ito	D24/225
D838,002	S *	1/2019	Ito	D24/225
D838,003	S *	1/2019	Ito	D24/225
D855,210	S *	7/2019	Ito	D24/225
D867,612	S *	11/2019	Ohmura	D24/226
D867,613	S *	11/2019	Ohmura	D24/226
2005/0237607	A1	10/2005	Tenney	
2011/0268630	A1	11/2011	Williams et al.	

* cited by examiner

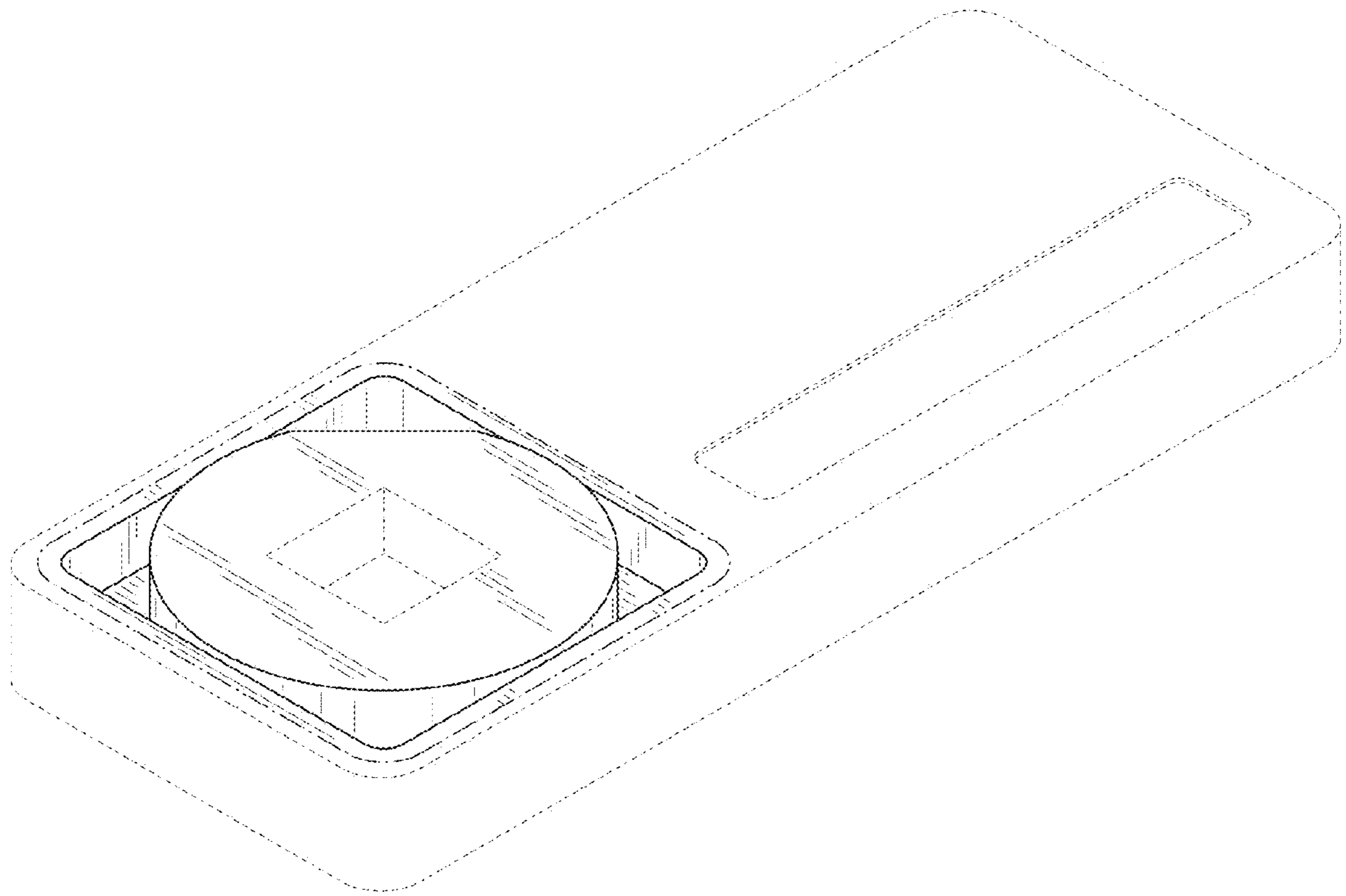


FIG. 1

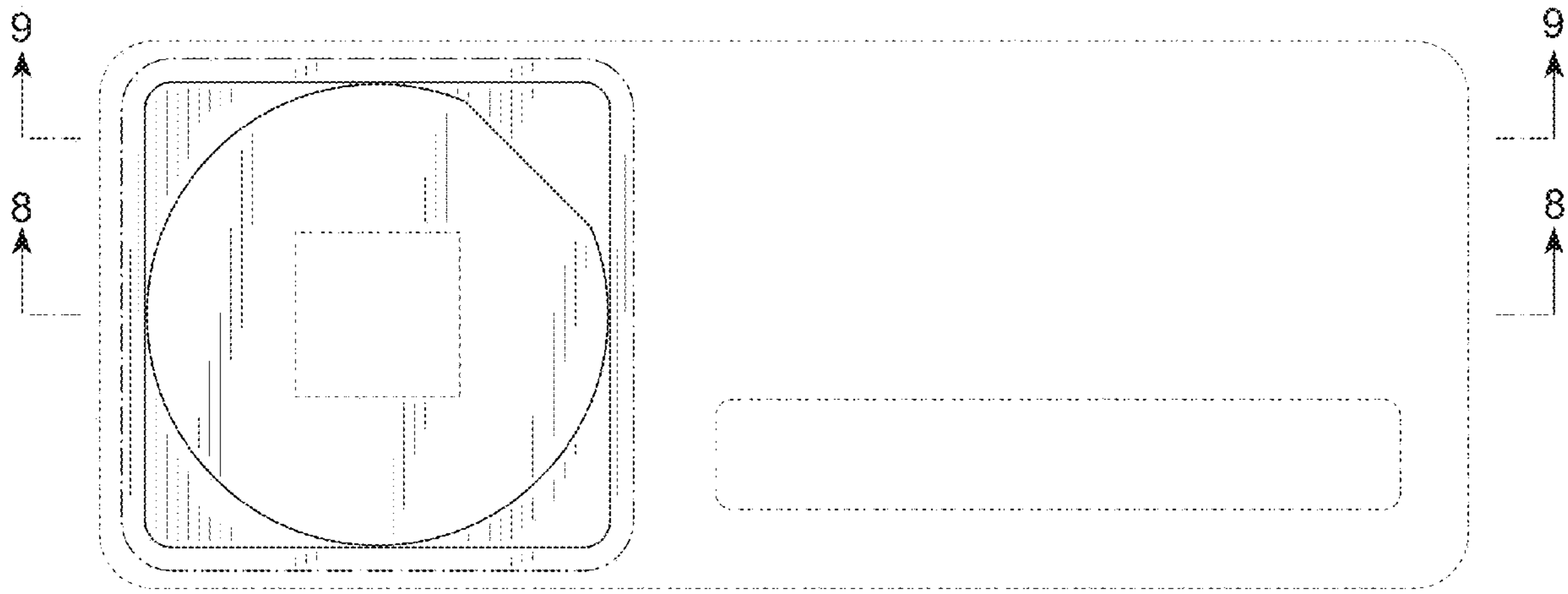


FIG. 2

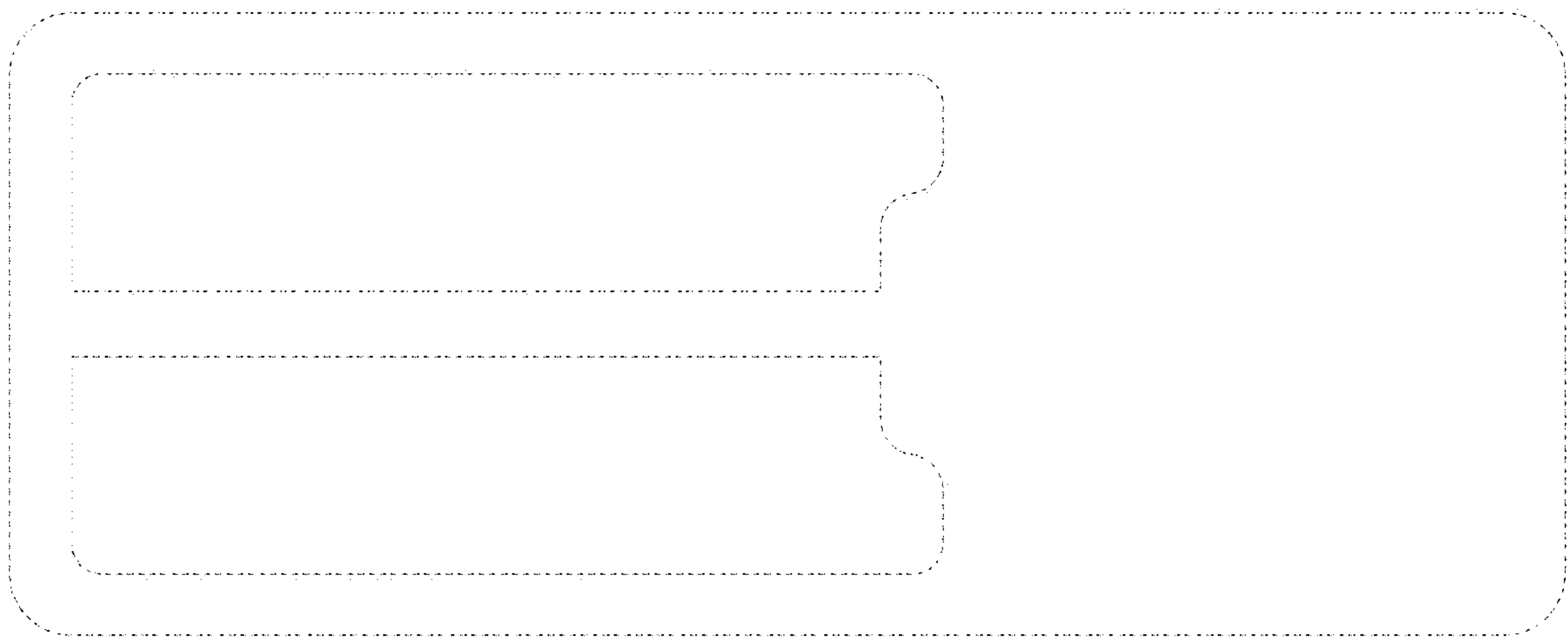


FIG. 3



FIG. 4



FIG. 5



FIG. 6

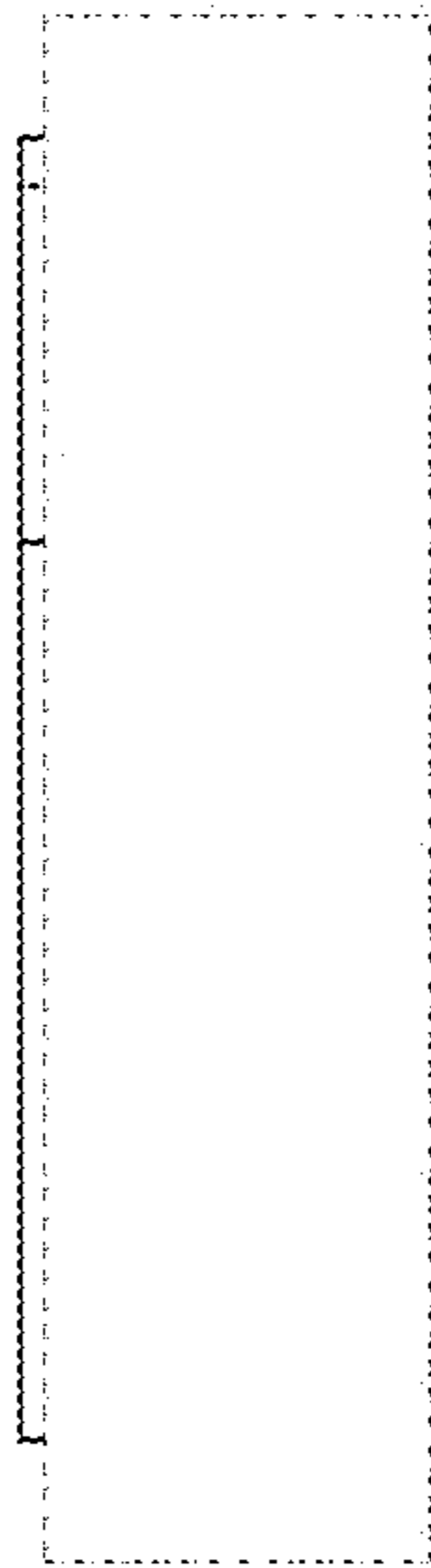


FIG. 7

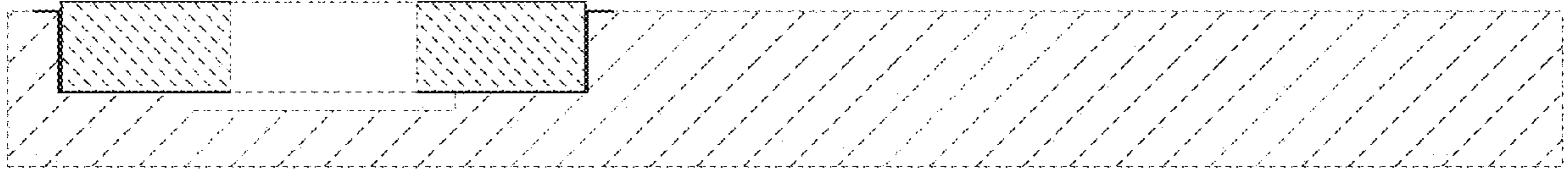


FIG. 8

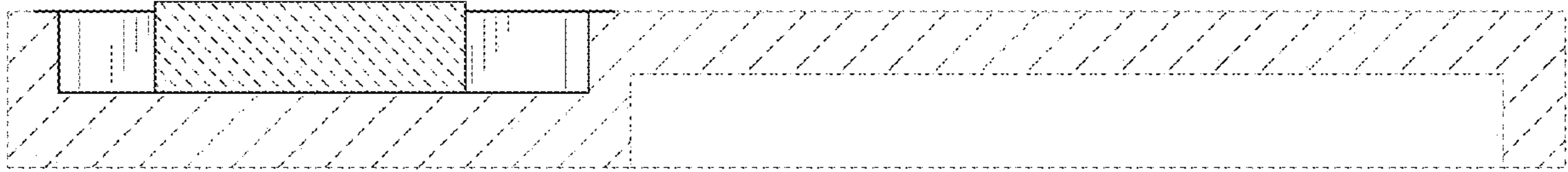


FIG. 9

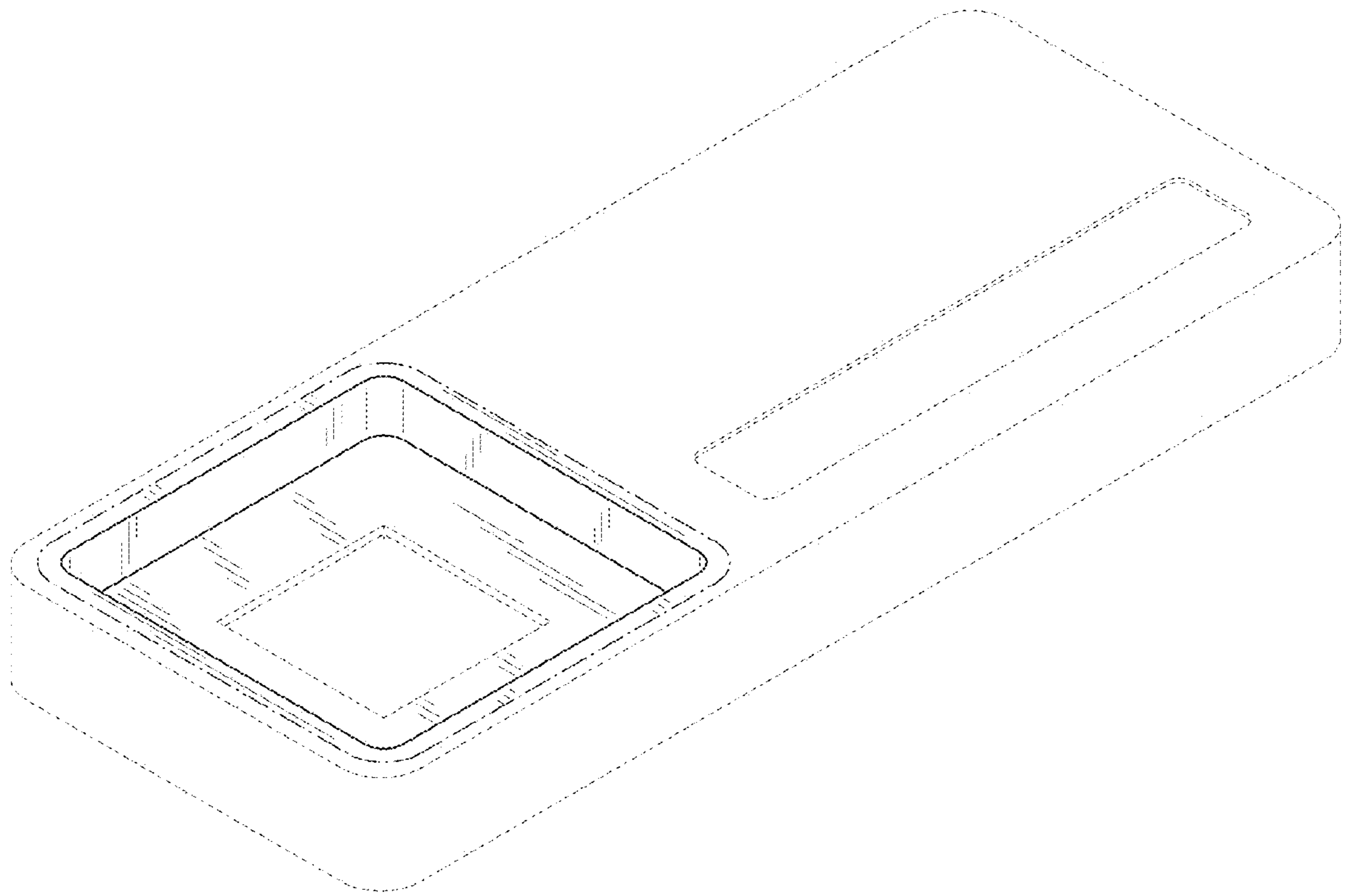


FIG. 10