



US00D888272S

(12) **United States Design Patent**  
**Pirod**

(10) **Patent No.:** **US D888,272 S**

(45) **Date of Patent:** **\*\* \*Jun. 23, 2020**

- (54) **VIAL**
- (71) Applicant: **Jorge Pirod**, Long Beach, CA (US)
- (72) Inventor: **Jorge Pirod**, Long Beach, CA (US)
- (\* ) Notice: This patent is subject to a terminal disclaimer.
- (\*\*) Term: **15 Years**
- (21) Appl. No.: **29/663,392**
- (22) Filed: **Sep. 14, 2018**
- (51) **LOC (12) Cl.** ..... **24-02**
- (52) **U.S. Cl.**  
USPC ..... **D24/224**
- (58) **Field of Classification Search**  
USPC ..... D24/107, 121-123, 216-232; D9/447,  
D9/440, 436, 435, 434, 516, 547, 549,  
D9/560, 572, 573; D7/398, 397, 608,  
D7/602, 619.1, 629  
CPC ..... A61B 19/081; A61F 7/0241; A61F 7/0085  
See application file for complete search history.

- D748,476 S \* 2/2016 Lakstins ..... D9/447
- D752,435 S \* 3/2016 Willows ..... D9/447
- D765,835 S \* 9/2016 Kammer ..... D24/121
- D765,836 S \* 9/2016 Kammer ..... D24/121
- D816,898 S \* 5/2018 Shavit ..... D28/7
- D833,003 S \* 11/2018 Papst ..... D24/121
- D846,751 S \* 4/2019 Edwards ..... D24/200

**OTHER PUBLICATIONS**

Formati inclusi. Online, published date Jan. 10, 2017. Retrieved on Sep. 24, 2019 from URL: <https://www.turbosquid.com/it/3d-models/3d-glass-carafe---wine-model/1111750>.\*

\* cited by examiner

*Primary Examiner* — Susan Bennett Hattan  
*Assistant Examiner* — Omeed Agilee  
(74) *Attorney, Agent, or Firm* — John J. Connors;  
Connors & Assoc. pc

(57) **CLAIM**

The ornamental design for a vial, as shown and described.

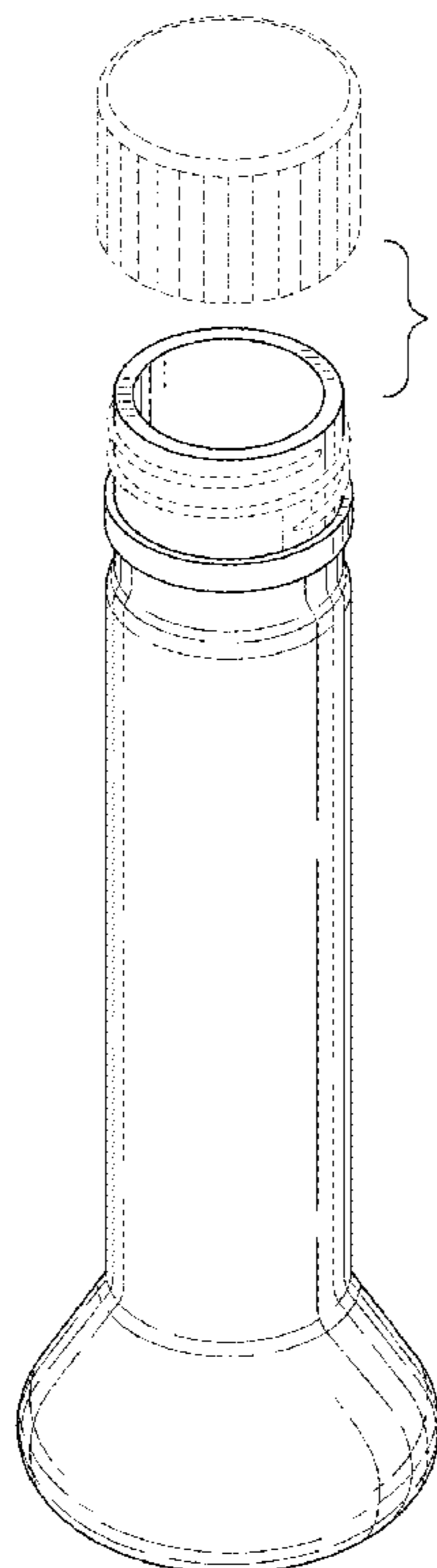
**DESCRIPTION**

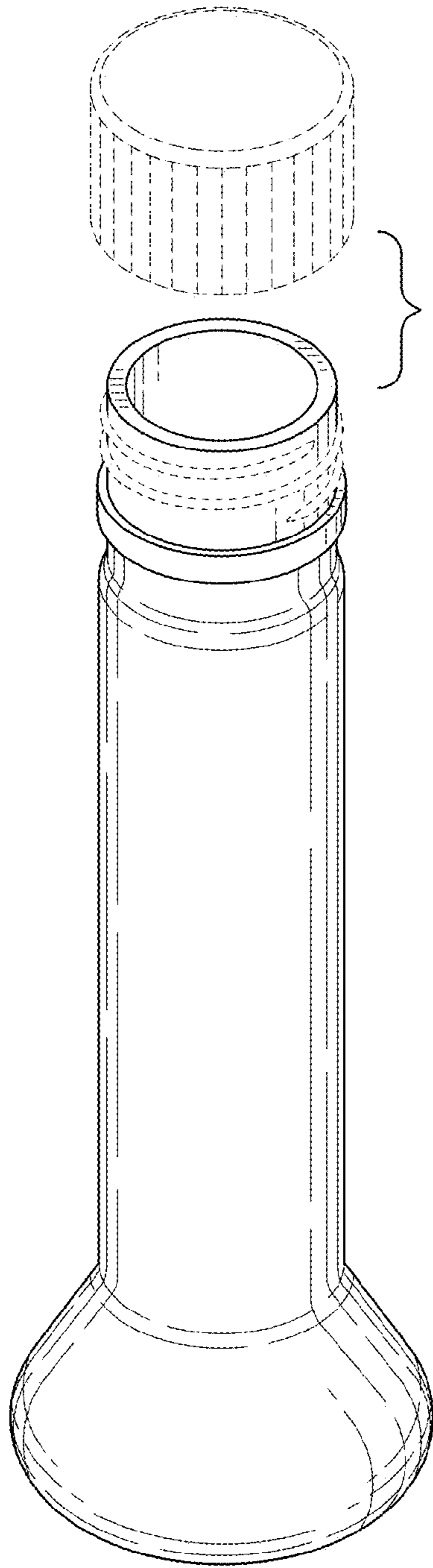
FIG. 1 is a perspective view of the vial according to my design;  
FIG. 2 is a front elevation view thereof showing the unclaimed lid removed;  
FIG. 3 is a top plan view thereof; and,  
FIG. 4 is a bottom plan view thereof.  
The broken lines in the drawings depict portions of the vial that form no part of the claimed design.

**1 Claim, 1 Drawing Sheet**

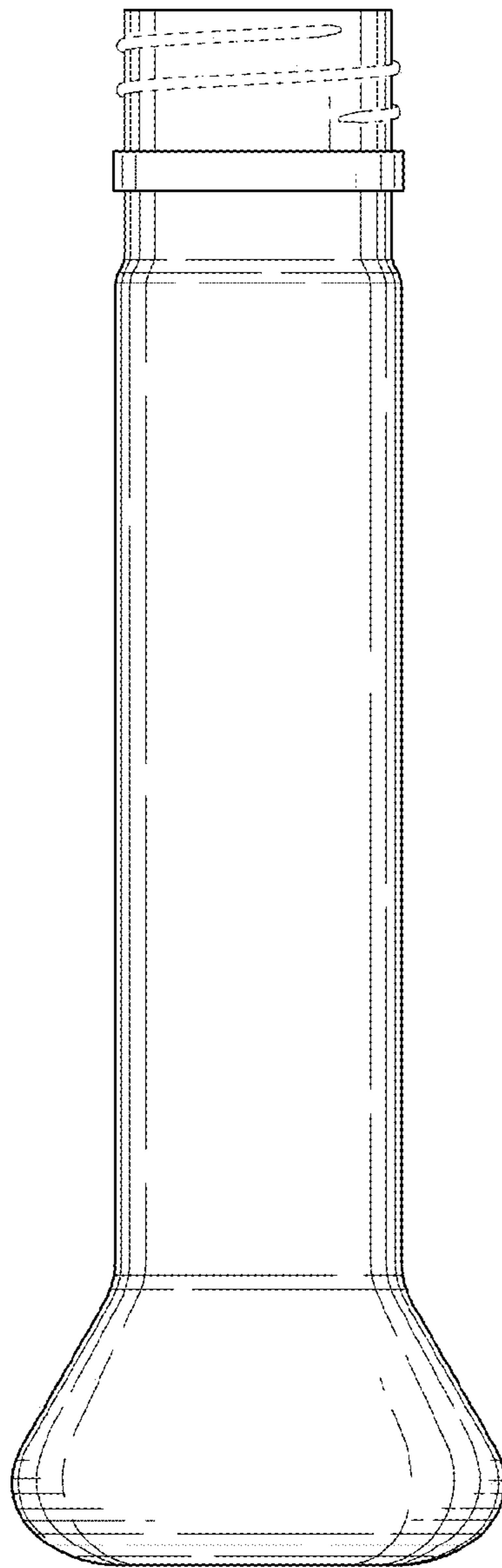
(56) **References Cited**  
U.S. PATENT DOCUMENTS

- D212,077 S \* 8/1968 Baumann ..... D24/221
- D228,174 S \* 8/1973 Kretz ..... D9/560
- D485,885 S \* 1/2004 Bonelli ..... D23/207
- D535,559 S \* 1/2007 Kehoe ..... D9/440
- D546,178 S \* 7/2007 McClain ..... D9/435
- D667,960 S \* 9/2012 Wilkinson ..... D24/224
- D740,679 S \* 10/2015 Bisbikis ..... D9/558

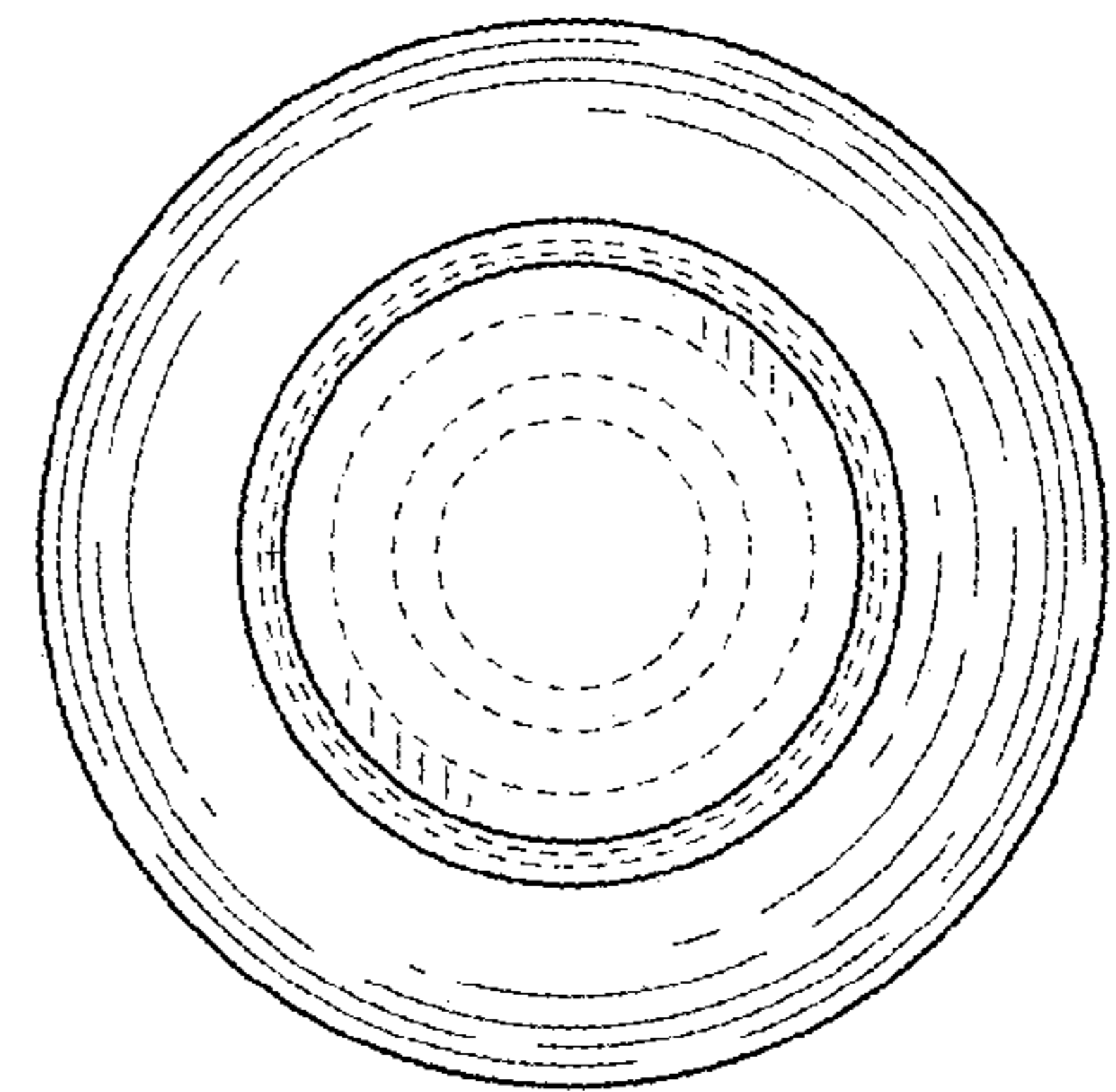




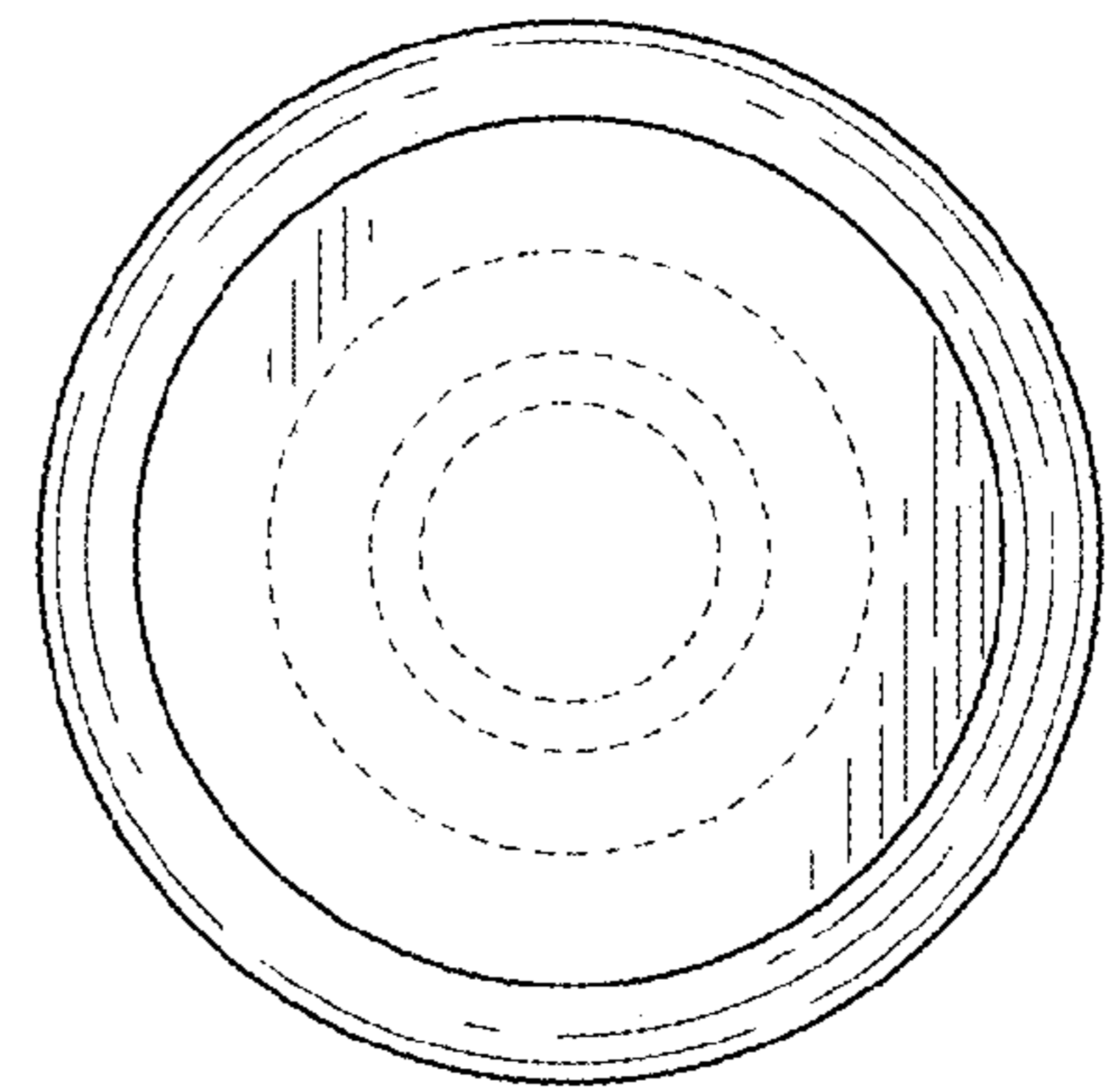
**FIG. 1**



**FIG. 2**



**FIG. 3**



**FIG. 4**