



US00D888271S

(12) **United States Design Patent**
Pirod

(10) **Patent No.:** **US D888,271 S**

(45) **Date of Patent:** **** Jun. 23, 2020**

(54) **VIAL**
(71) Applicant: **Jorge Pirod**, Long Beach, CA (US)
(72) Inventor: **Jorge Pirod**, Long Beach, CA (US)

D752,435 S * 3/2016 Willows D9/447
D765,835 S * 9/2016 Kammer D24/121
D765,836 S * 9/2016 Kammer D24/121
D816,898 S * 5/2018 Shavit D28/7
D833,003 S * 11/2018 Papst D24/121
D846,751 S * 4/2019 Edwards D24/200

(**) Term: **15 Years**

OTHER PUBLICATIONS

(21) Appl. No.: **29/663,390**

Formati inclusi. Online, published date Jan. 10, 2017. Retrieved on Sep. 24, 2019 from URL: <https://www.turbosquid.com/it/3d-models/3d-glass-carafe---wine-model/1111750>.*

(22) Filed: **Sep. 14, 2018**

(51) **LOC (12) Cl.** **24-02**

(52) **U.S. Cl.**
USPC **D24/224**

* cited by examiner

(58) **Field of Classification Search**
USPC D24/107, 121–123, 216–232; D9/447,
D9/440, 436, 435, 434, 516, 547, 549,
D9/560, 572, 573; D7/398, 397, 608,
D7/602, 619.1, 629

Primary Examiner — Susan Bennett Hattan
Assistant Examiner — Omeed Agilee
(74) *Attorney, Agent, or Firm* — John J. Connors;
Connors & Assoc, pc

CPC A61B 19/081; A61F 7/0241; A61F 7/0085
See application file for complete search history.

(57) **CLAIM**
The ornamental design for a vial, as shown and described.

DESCRIPTION

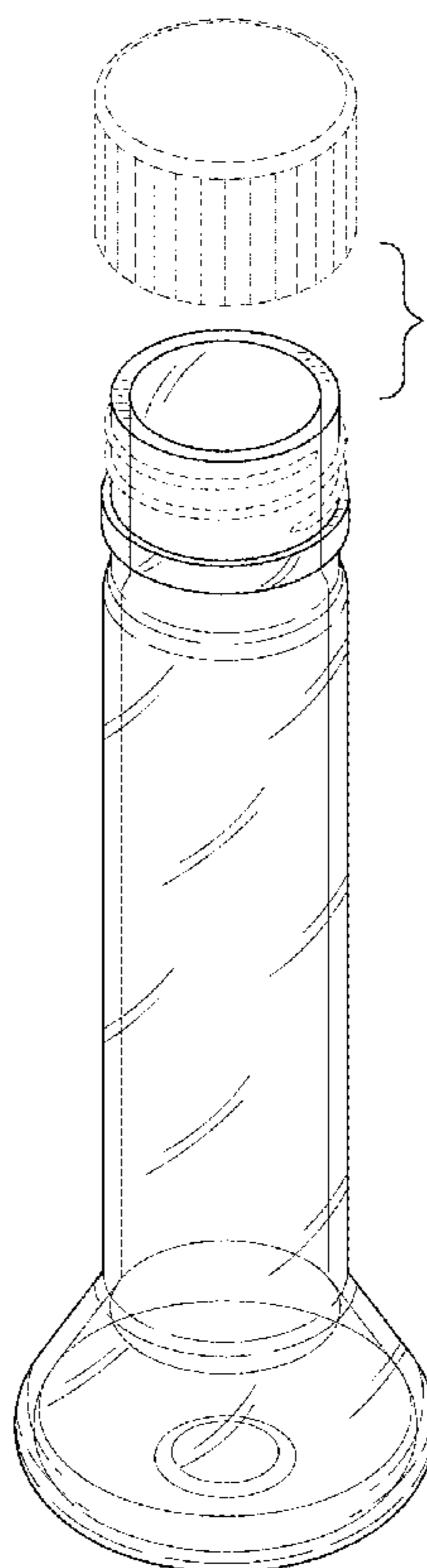
(56) **References Cited**

U.S. PATENT DOCUMENTS

D212,077 S * 8/1968 Baumann D24/221
D228,174 S * 8/1973 Kretz D9/560
D485,885 S * 1/2004 Bonelli D23/207
D535,559 S * 1/2007 Kehoe D9/440
D546,178 S * 7/2007 McClain D9/435
D667,960 S * 9/2012 Wilkinson D24/224
D740,679 S * 10/2015 Bisbikis D9/558
D748,476 S * 2/2016 Lakstins D9/447

FIG. 1 is a perspective view of the vial according to my design;
FIG. 2 is a front elevation view thereof showing the unclaimed lid removed;
FIG. 3 is a top plan view thereof; and,
FIG. 4 is a bottom plan view thereof.
The broken lines in the drawings depict portions of the vial that form no part of the claimed design.

1 Claim, 1 Drawing Sheet



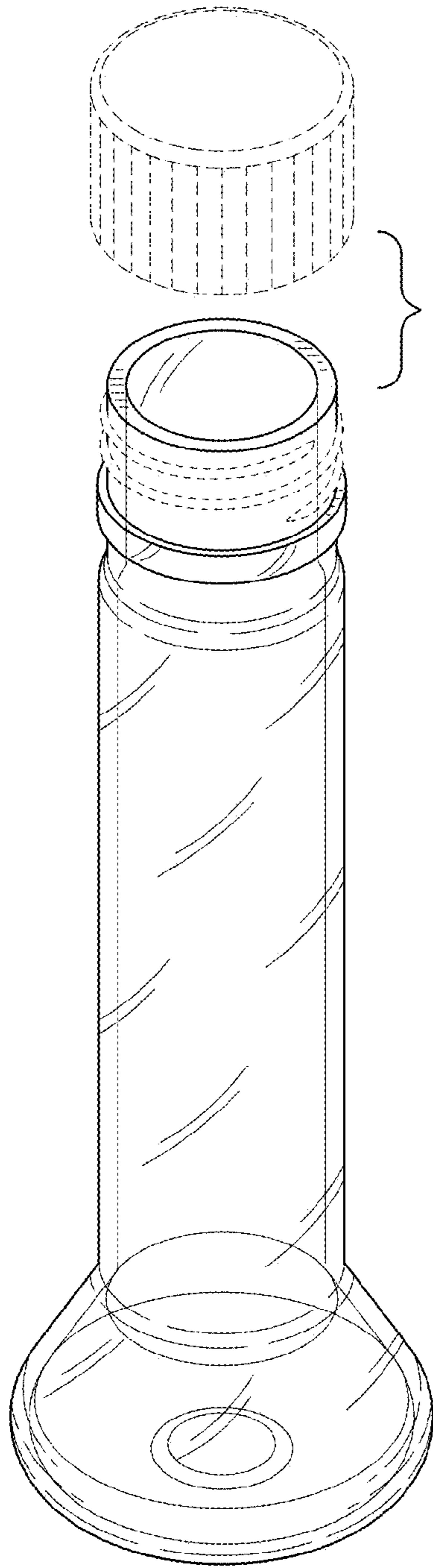


FIG. 1

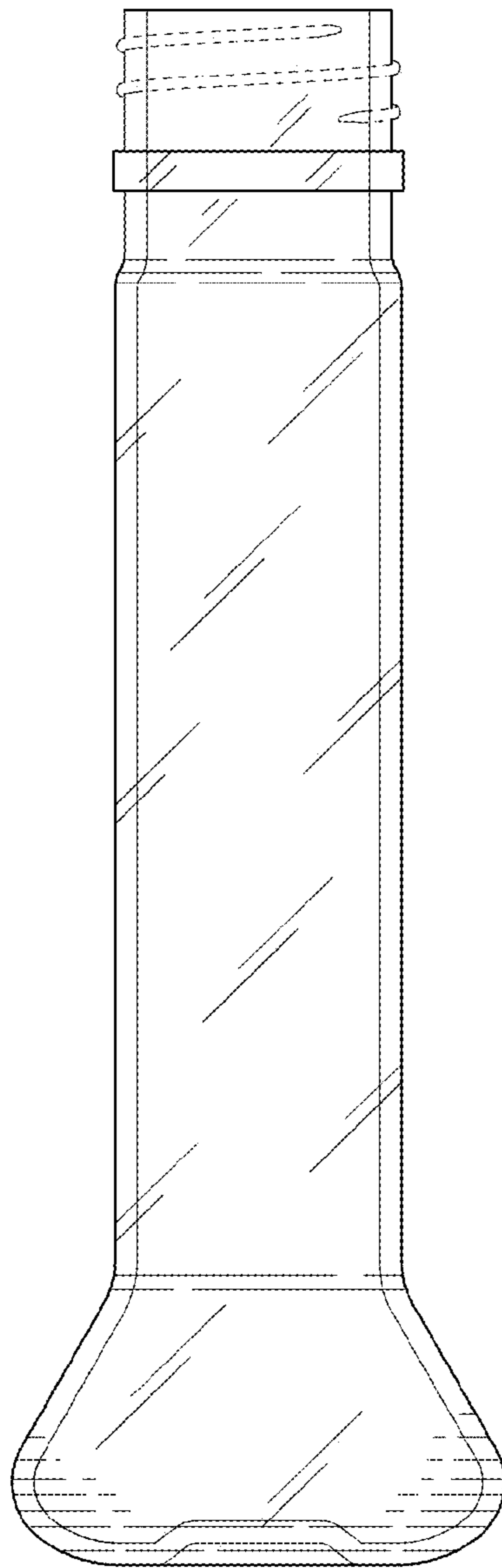


FIG. 2

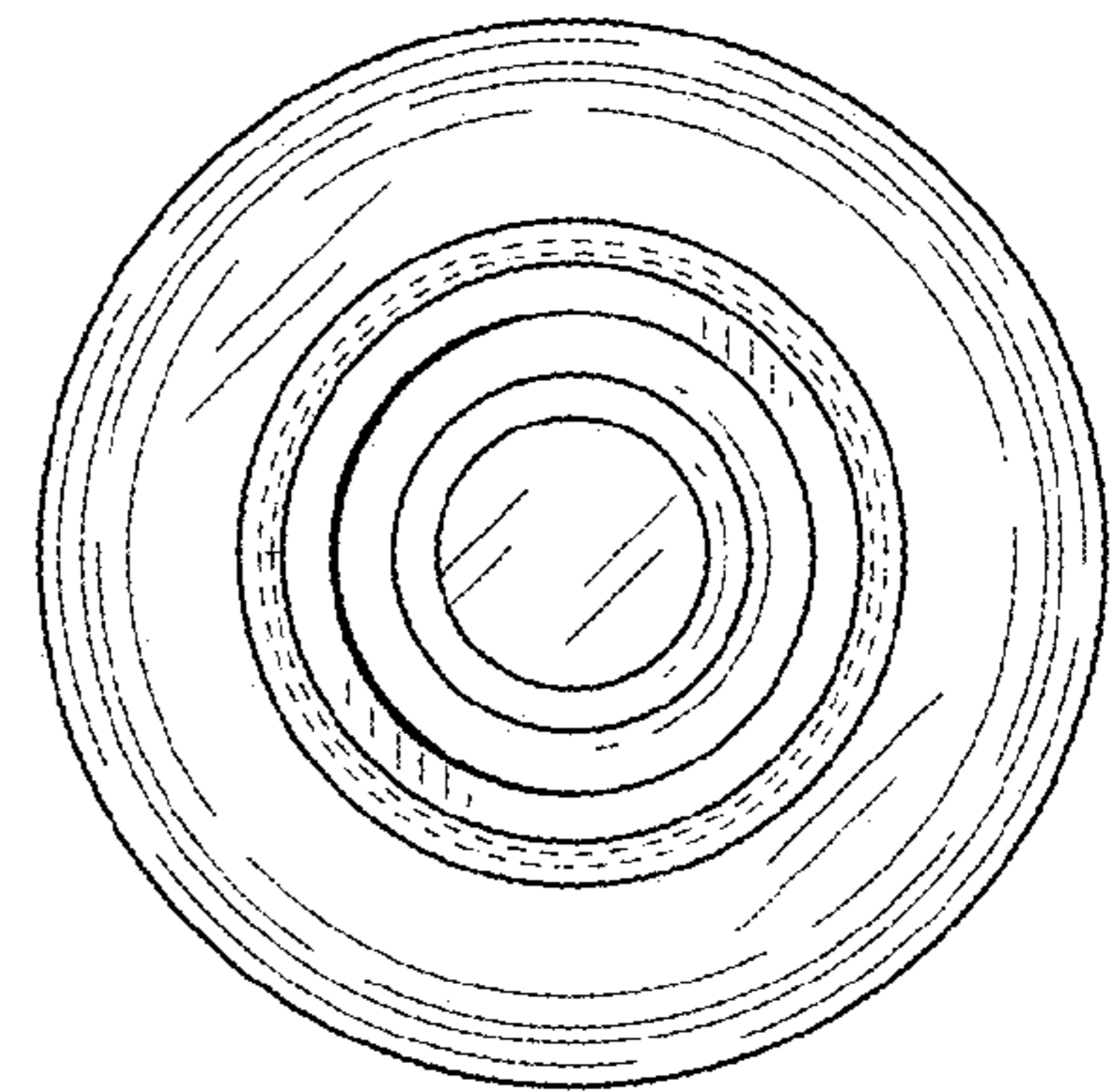


FIG. 3

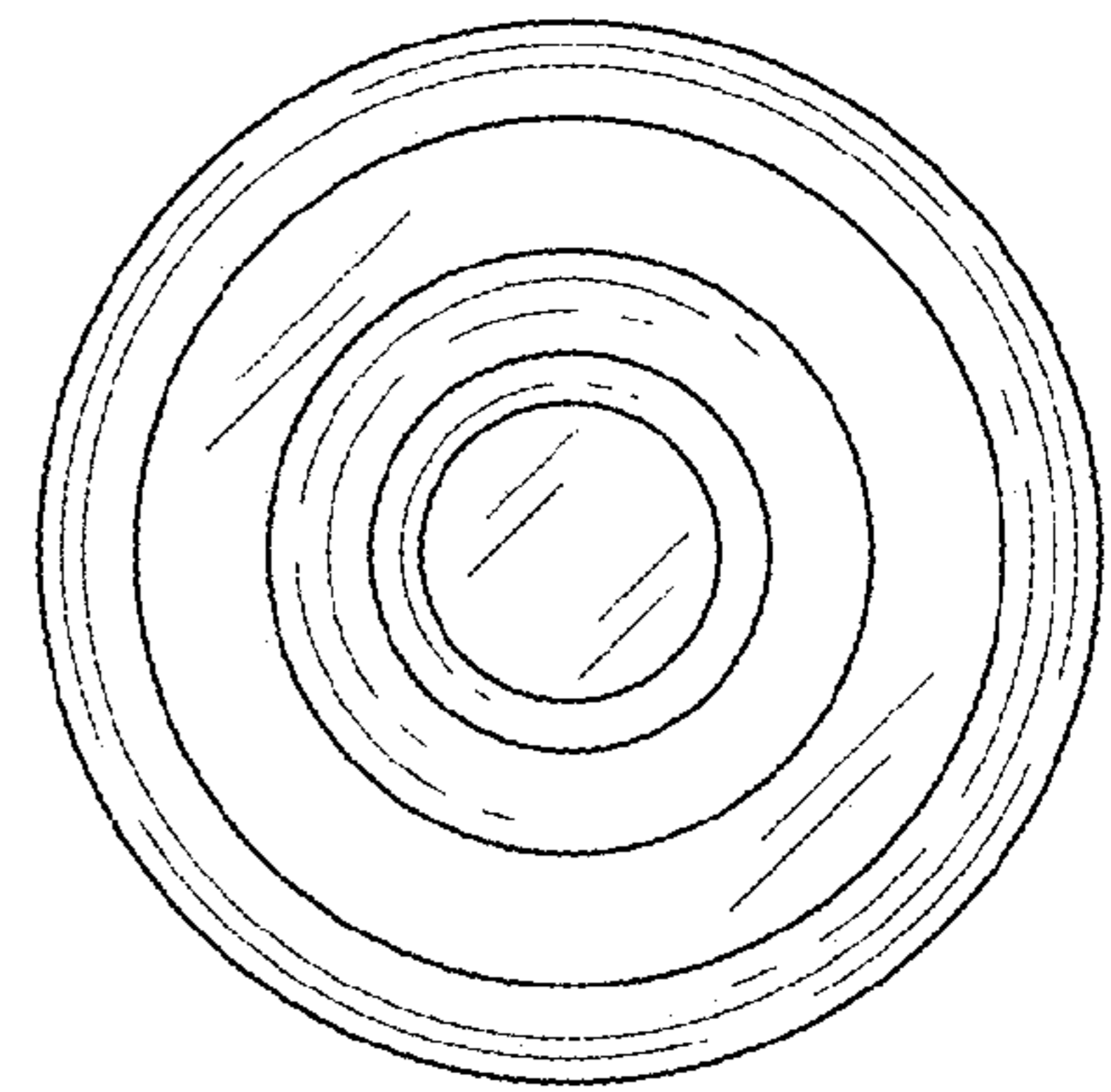


FIG. 4