



US00D888269S

(12) **United States Design Patent** (10) **Patent No.:** **US D888,269 S**  
**Salomon et al.** (45) **Date of Patent:** **\*\* Jun. 23, 2020**

(54) **CAPILLARY BLOOD COLLECTOR DEVICE**

FOREIGN PATENT DOCUMENTS

(71) Applicant: **MeMed Diagnostics Ltd.**, Tirat  
HaCarmel (IL)

WO WO 01/11374 2/2001  
WO WO 02/09095 11/2002

(Continued)

(72) Inventors: **Noga Salomon**, Carmiel (IL); **Kfir Oved**, Hof HaCarmel (IL); **Omer Nahum Katzenelson**, Atlit (IL); **Eran Eden**, Haifa (IL); **Matthew Hou Pou Yeung**, Nunawading (AU); **James William Luther**, Milan (IT); **Barbara Tornaghi**, Monza (IT); **Andrea Besana**, Seveso (IT)

OTHER PUBLICATIONS

Restriction Official Action dated Feb. 13, 2020 From the US Patent and Trademark Office Re. U.S. Appl. No. 29/662,119. (12 pages).

*Primary Examiner* — Anhdao Doan

(57) **CLAIM**

The ornamental design for a capillary blood collector device, as shown and described.

(73) Assignee: **MeMed Diagnostics Ltd.**, Tirat  
HaCarmel (IL)

**DESCRIPTION**

(\*\*) Term: **15 Years**

This invention was made with government support under contract number HDTRA1-17-C-0011 awarded by the Defense Threat Reduction Agency and grant number W81XWH-17-1-0694 awarded by the U.S. Army Medical Research Acquisition Activity. The government has certain rights in the invention.

(21) Appl. No.: **29/662,120**

(22) Filed: **Sep. 2, 2018**

(51) **LOC (12) Cl.** ..... **24-01**

(52) **U.S. Cl.**  
USPC ..... **D24/223**

(58) **Field of Classification Search**  
USPC ..... D24/216, 223-233, 186, 107, 121;  
D10/81  
CPC ..... B01L 3/50; B01L 3/5021; B01L 3/5082;  
B01L 3/50825; B01L 3/523; B04B  
5/0414; C12M 1/16; A61B 10/0096  
See application file for complete search history.

FIG. 1 is a perspective view of a capillary blood collector device in an open state;  
FIG. 2 is a top view of FIG. 1;  
FIG. 3 is a left side view of FIG. 1;  
FIG. 4 is a front view of FIG. 1;  
FIG. 5 is a right side view of FIG. 1;  
FIG. 6 is a rear view of FIG. 1;  
FIG. 7 is a bottom view of FIG. 1;  
FIG. 8 is a perspective view thereof in a closed state;  
FIG. 9 is a top view of FIG. 8;  
FIG. 10 is a left side view of FIG. 8;  
FIG. 11 is a front view of FIG. 8;  
FIG. 12 is a right side view of FIG. 8;  
FIG. 13 is a rear view of FIG. 8; and,  
FIG. 14 is a bottom view of FIG. 8.

The broken lines depict portions of the capillary blood collector device that do not form part of the claimed design.

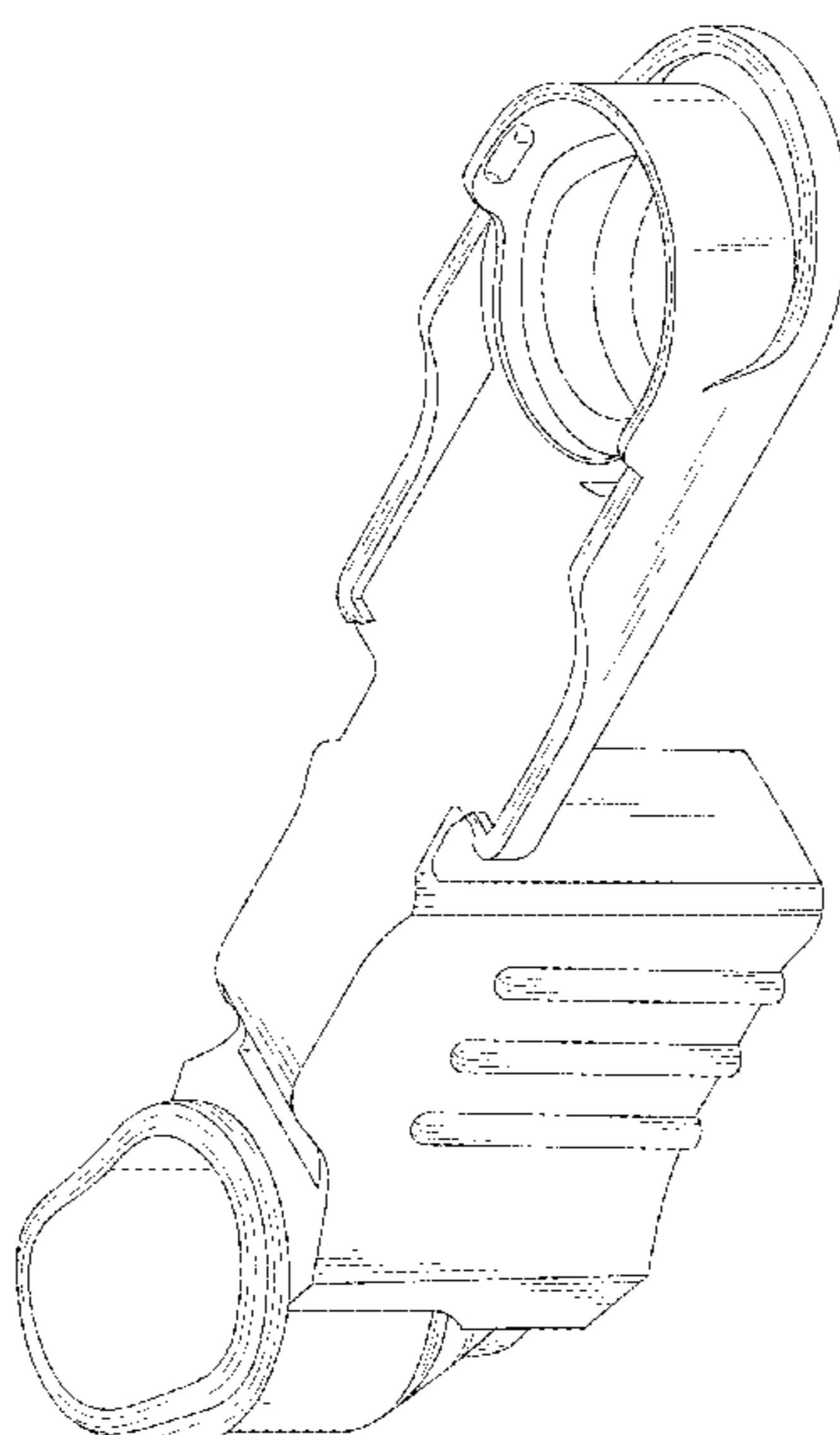
(56) **References Cited**

U.S. PATENT DOCUMENTS

D282,208 S 1/1986 Lowry  
4,576,185 A \* 3/1986 Proud ..... B01L 3/5082  
600/573

(Continued)

**1 Claim, 14 Drawing Sheets**



(56)

**References Cited**

U.S. PATENT DOCUMENTS

D438,633	S	3/2001	Miller	
D631,554	S *	1/2011	Jackson .....	D24/224
D638,953	S	5/2011	Cavada et al.	
D639,975	S	6/2011	Doyle et al.	
D649,658	S *	11/2011	Belfance .....	D24/224
8,211,386	B2	7/2012	Talmer et al.	
D669,169	S *	10/2012	Washington .....	D24/121
8,333,930	B2	12/2012	Hanafusa et al.	
D686,311	S	7/2013	Mori	
8,476,080	B2	7/2013	Talmer et al.	
8,697,377	B2	4/2014	Burd et al.	
D707,825	S *	6/2014	Murai .....	D24/169
D785,811	S	5/2017	Watts et al.	
D830,548	S *	10/2018	Kemp .....	D24/129
D833,639	S *	11/2018	Peltosaari .....	D24/224
10,118,177	B2	11/2018	Burroughs et al.	
D843,009	S	3/2019	Watts et al.	
2013/0287651	A1	10/2013	Talmer et al.	
2015/0250456	A1 *	9/2015	Olgun .....	A61B 10/007 422/548
2016/0051415	A1 *	2/2016	Kuan .....	A61F 13/38 600/572
2017/0065971	A1 *	3/2017	Kreifels .....	G01N 21/03
2017/0350838	A1	12/2017	Katsumoto et al.	

FOREIGN PATENT DOCUMENTS

WO	WO 2004/061418	7/2004
WO	WO 2013/043203	3/2013
WO	WO 2019/087176	5/2019

\* cited by examiner

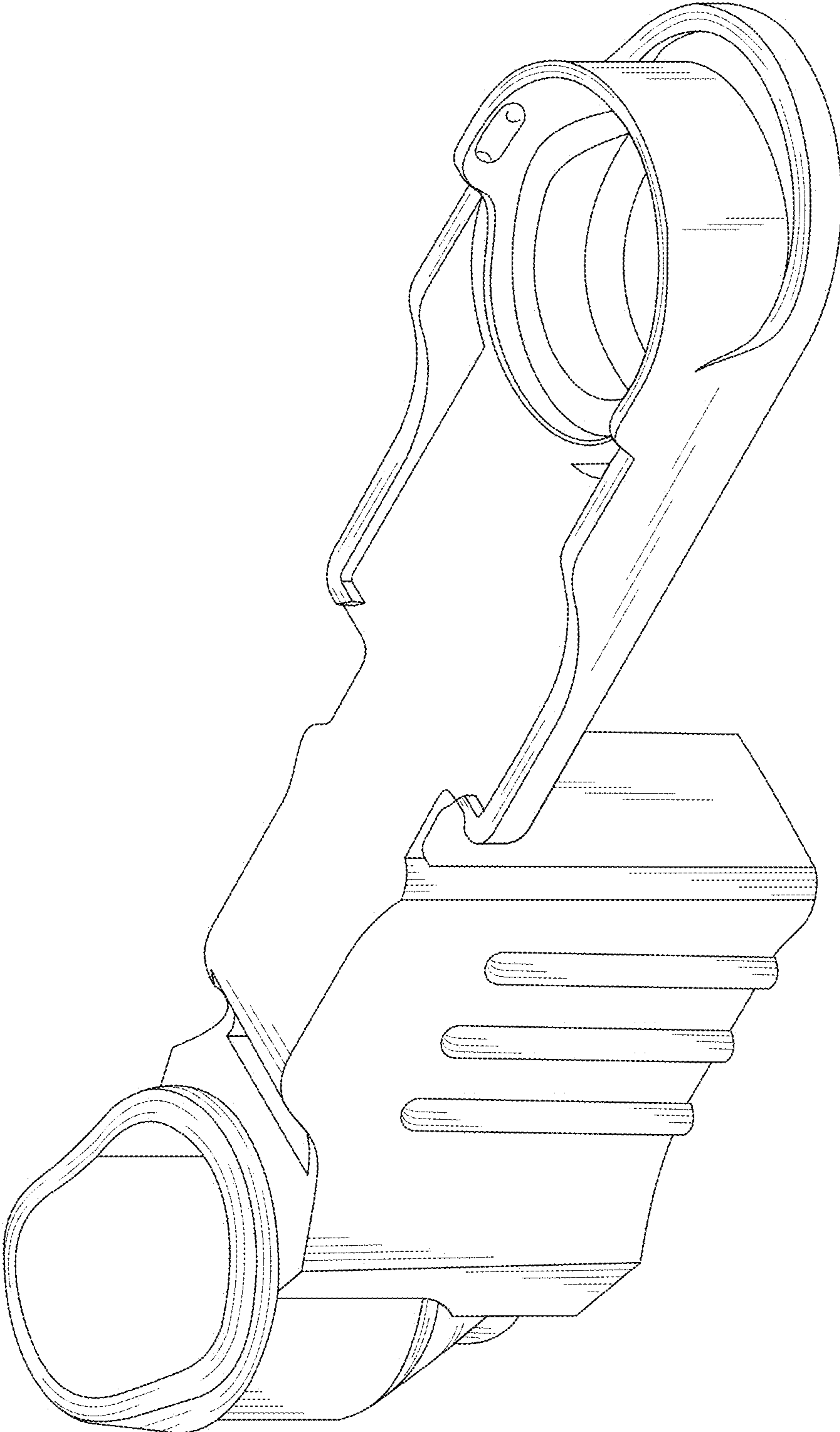


FIG. 1

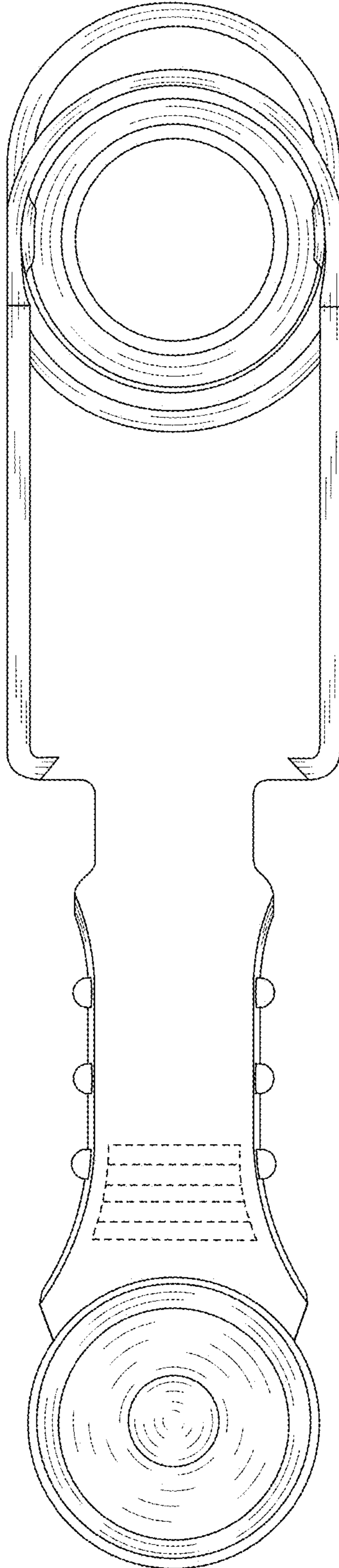


FIG. 2

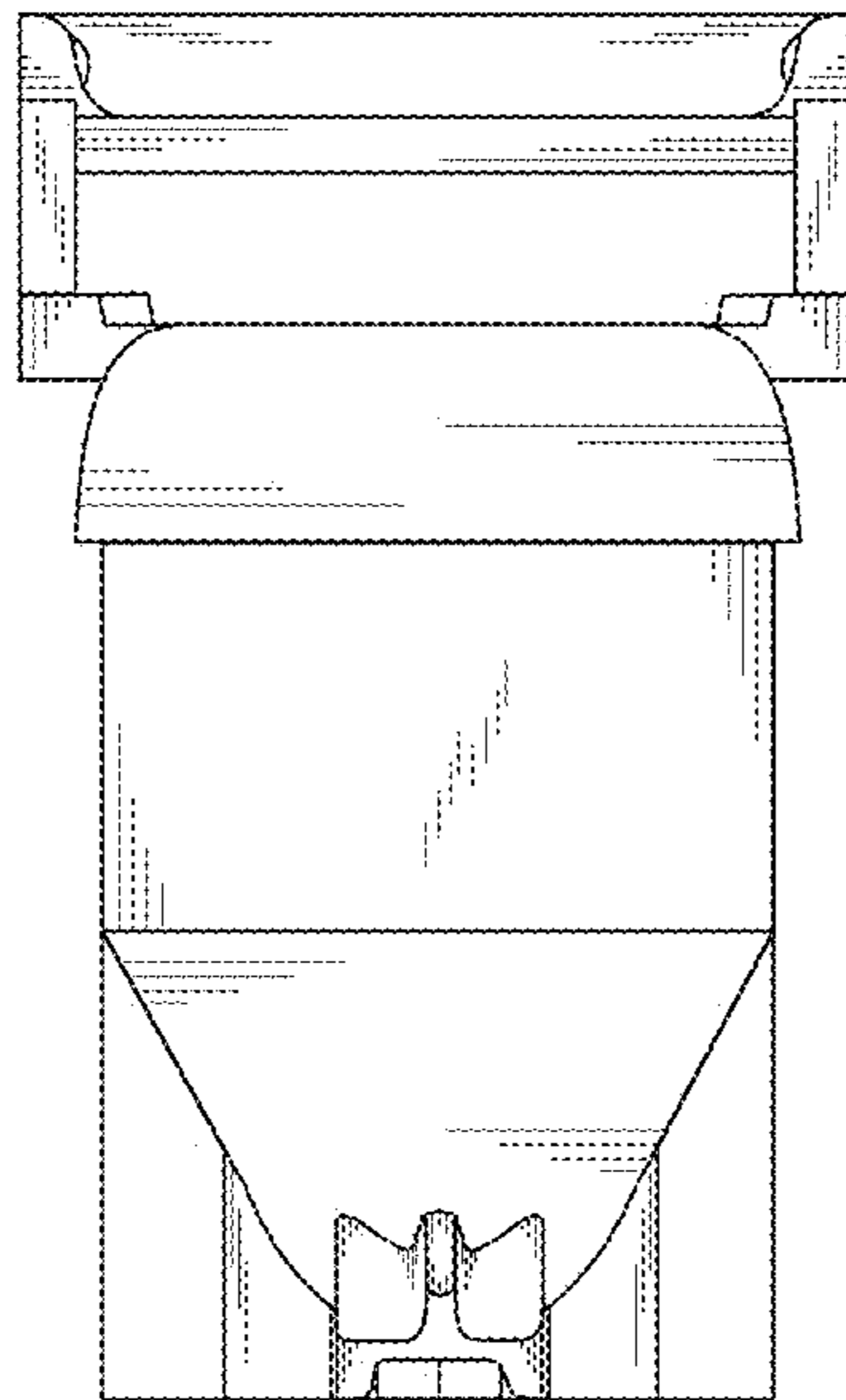


FIG. 3

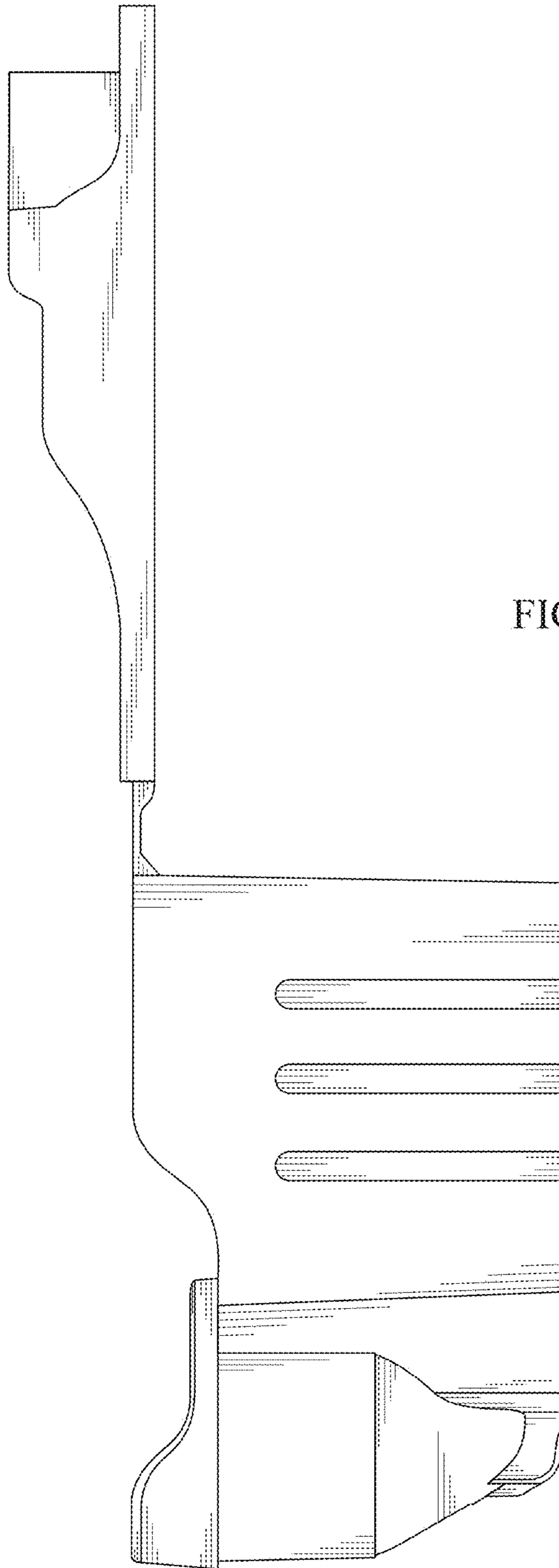


FIG. 4

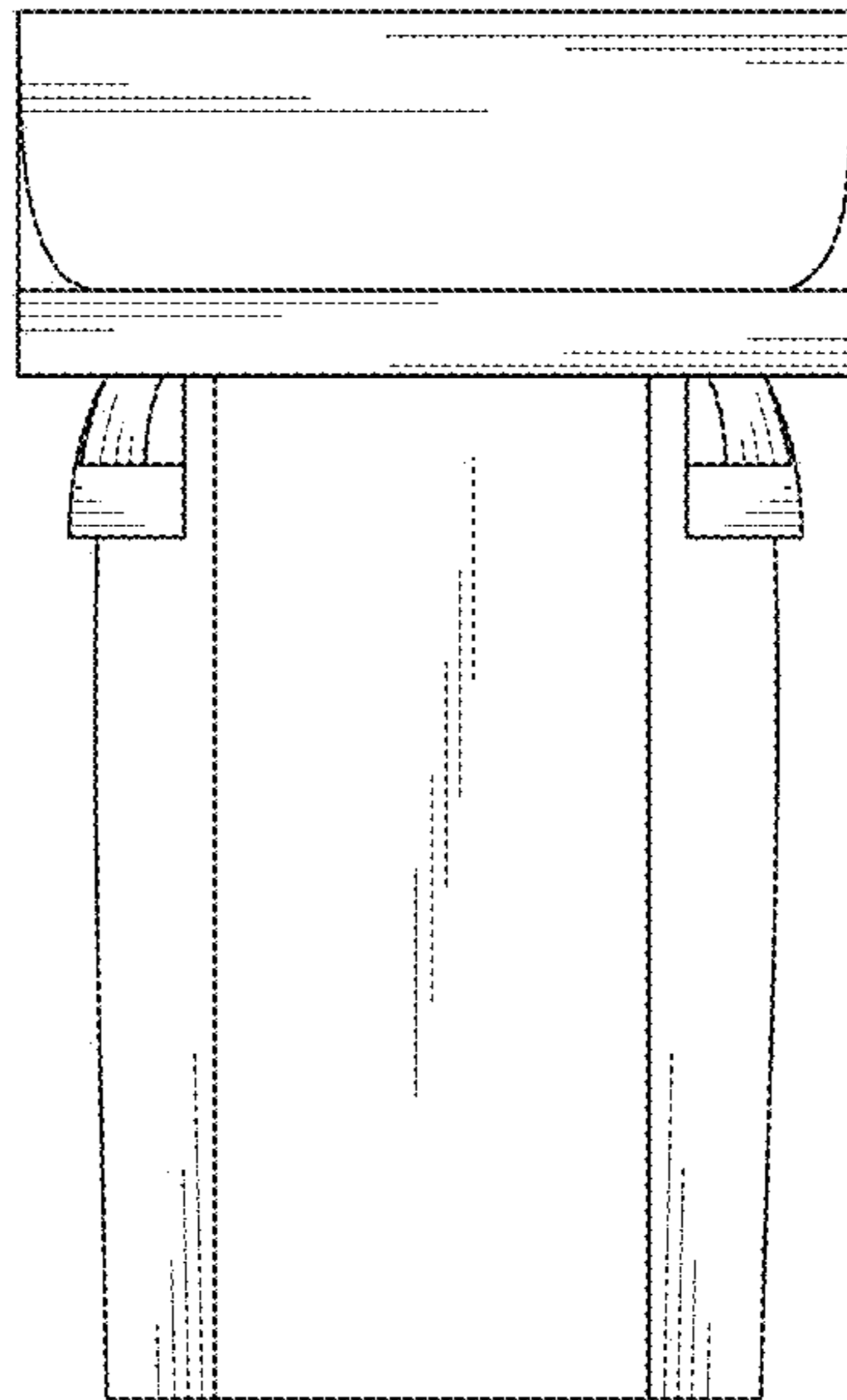


FIG. 5

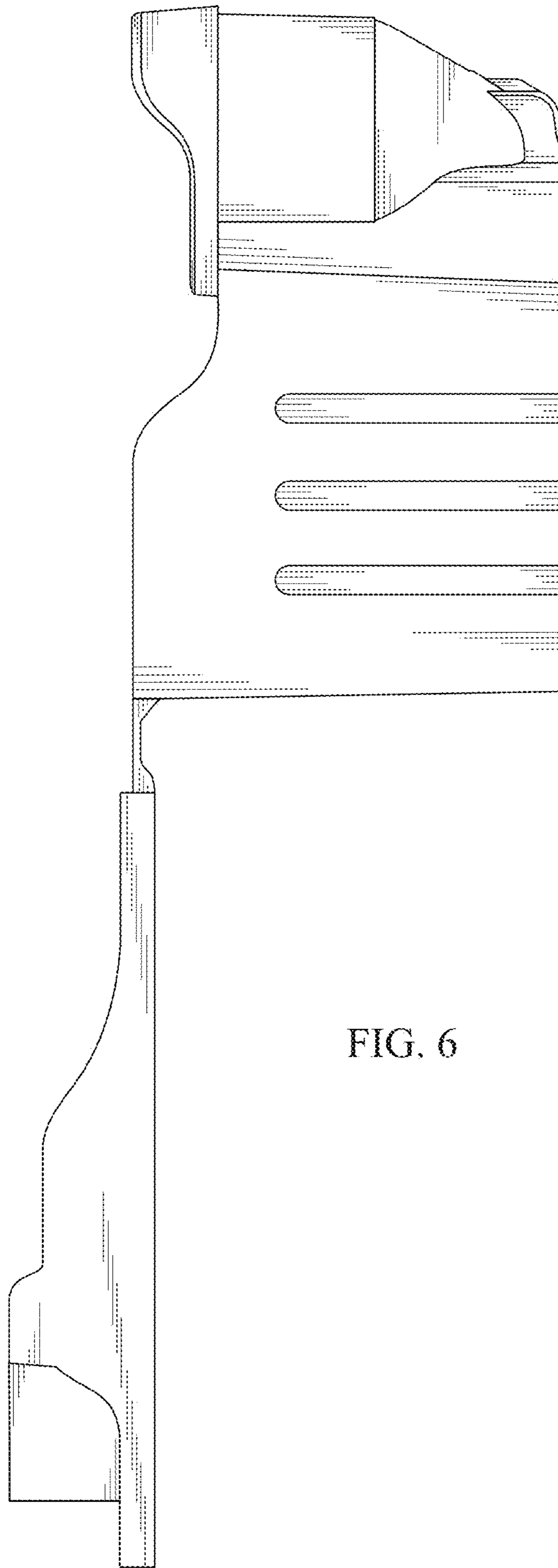


FIG. 6



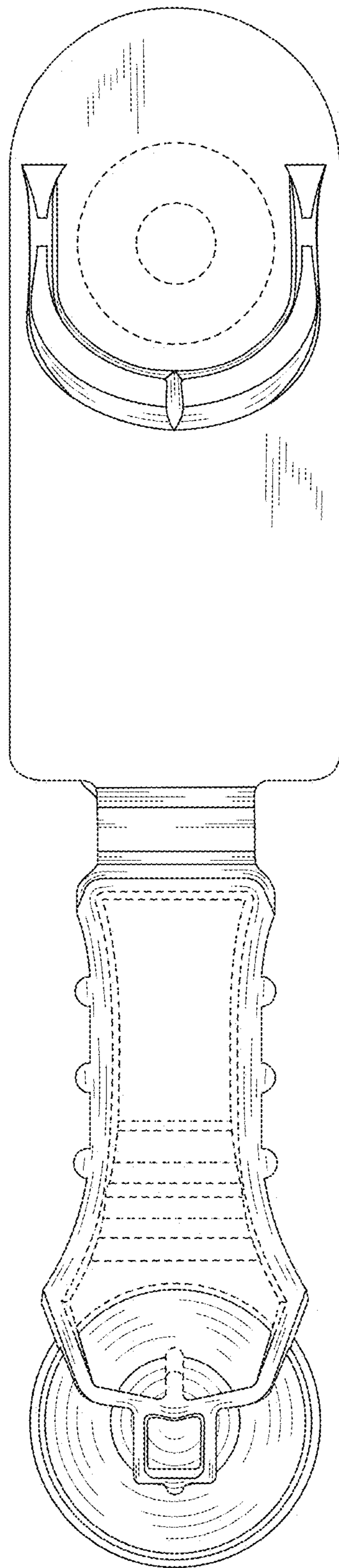


FIG. 7

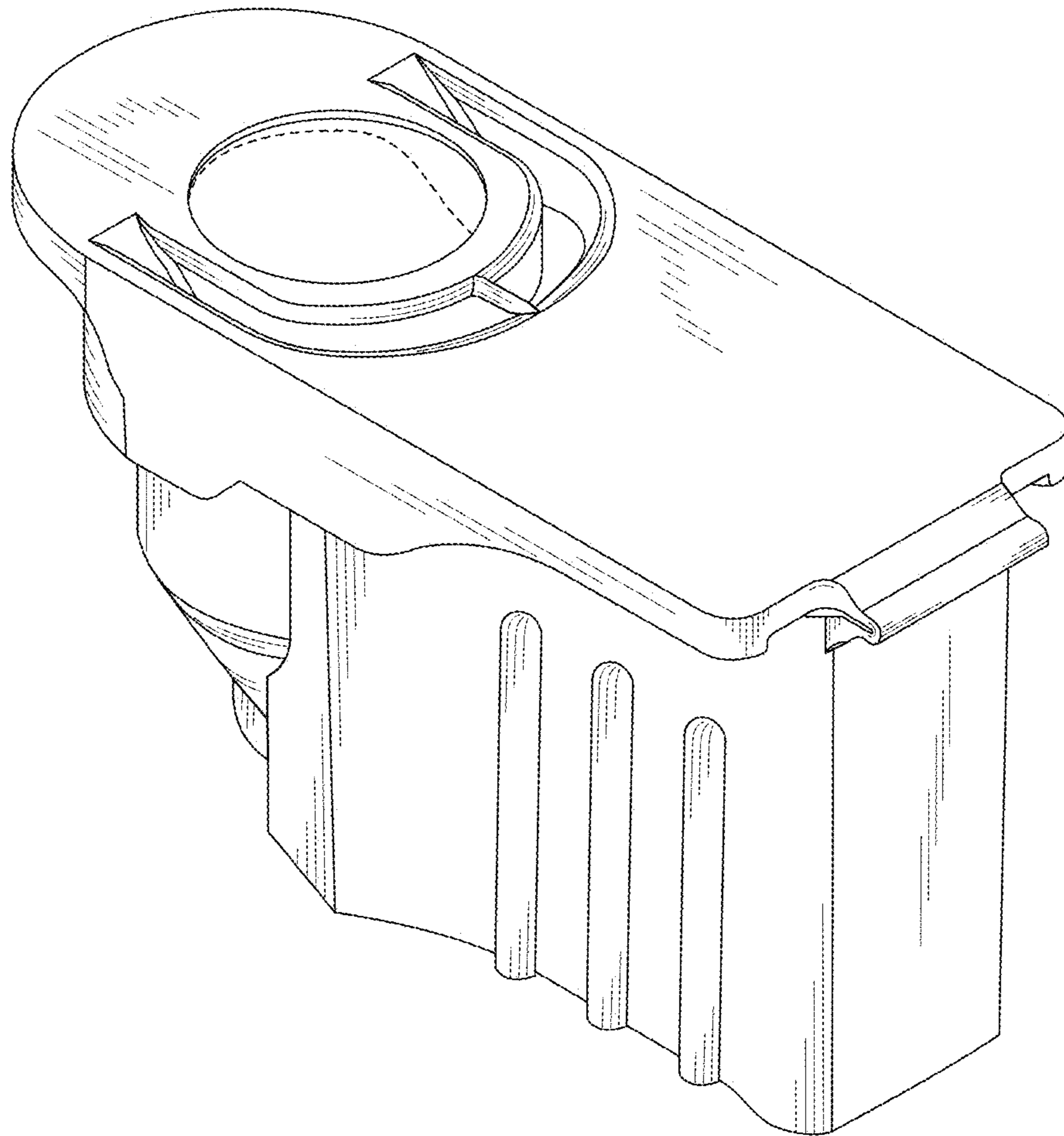


FIG. 8

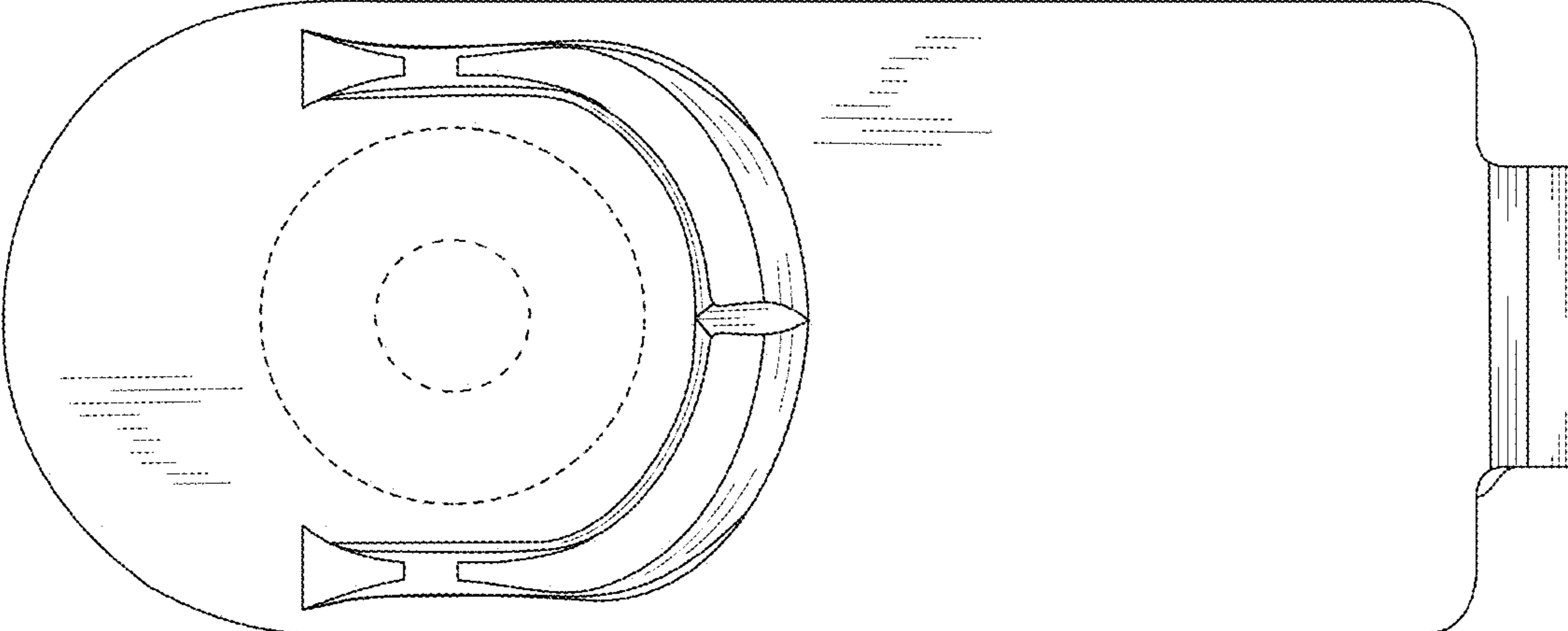


FIG. 9

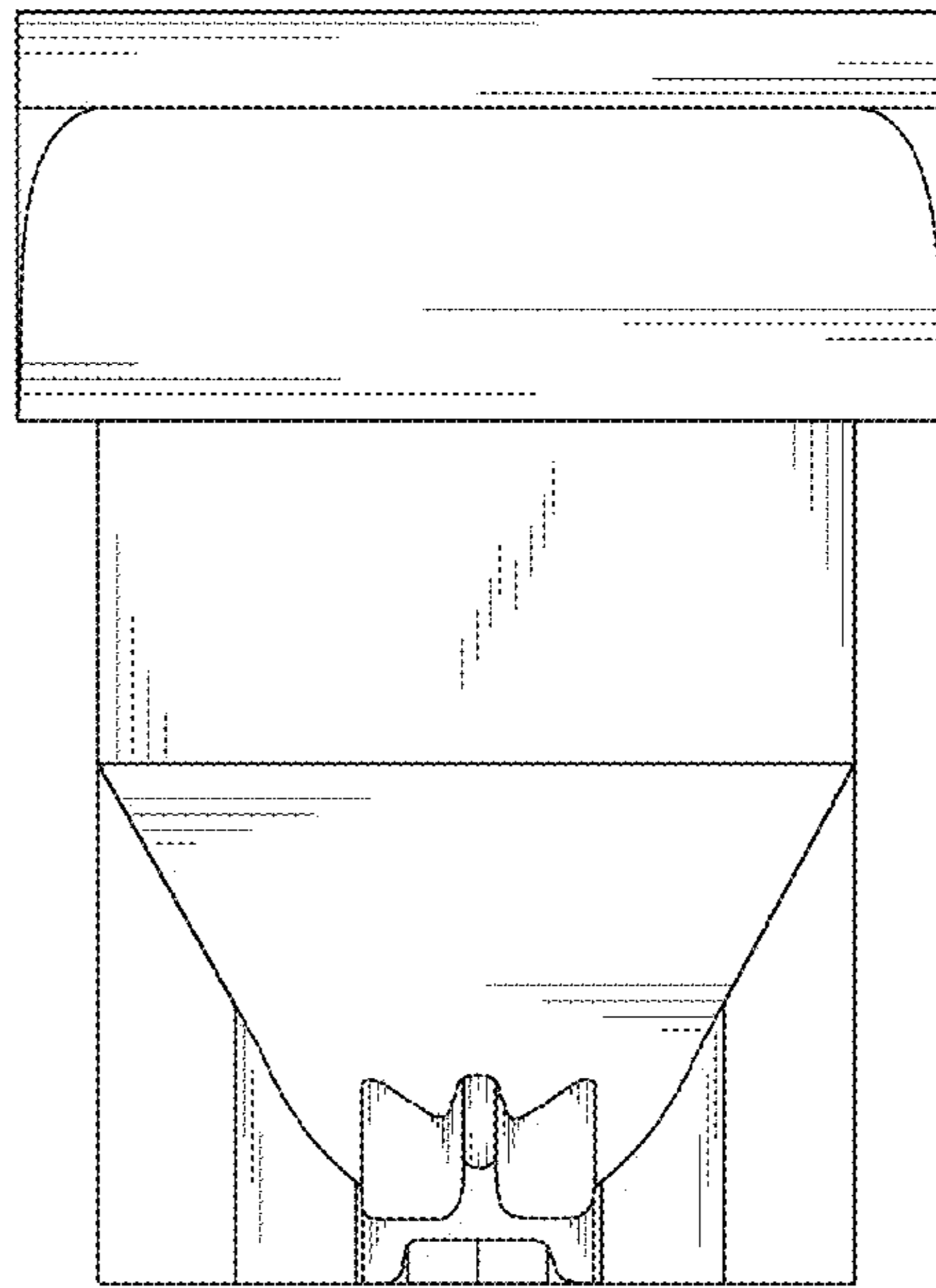


FIG. 10

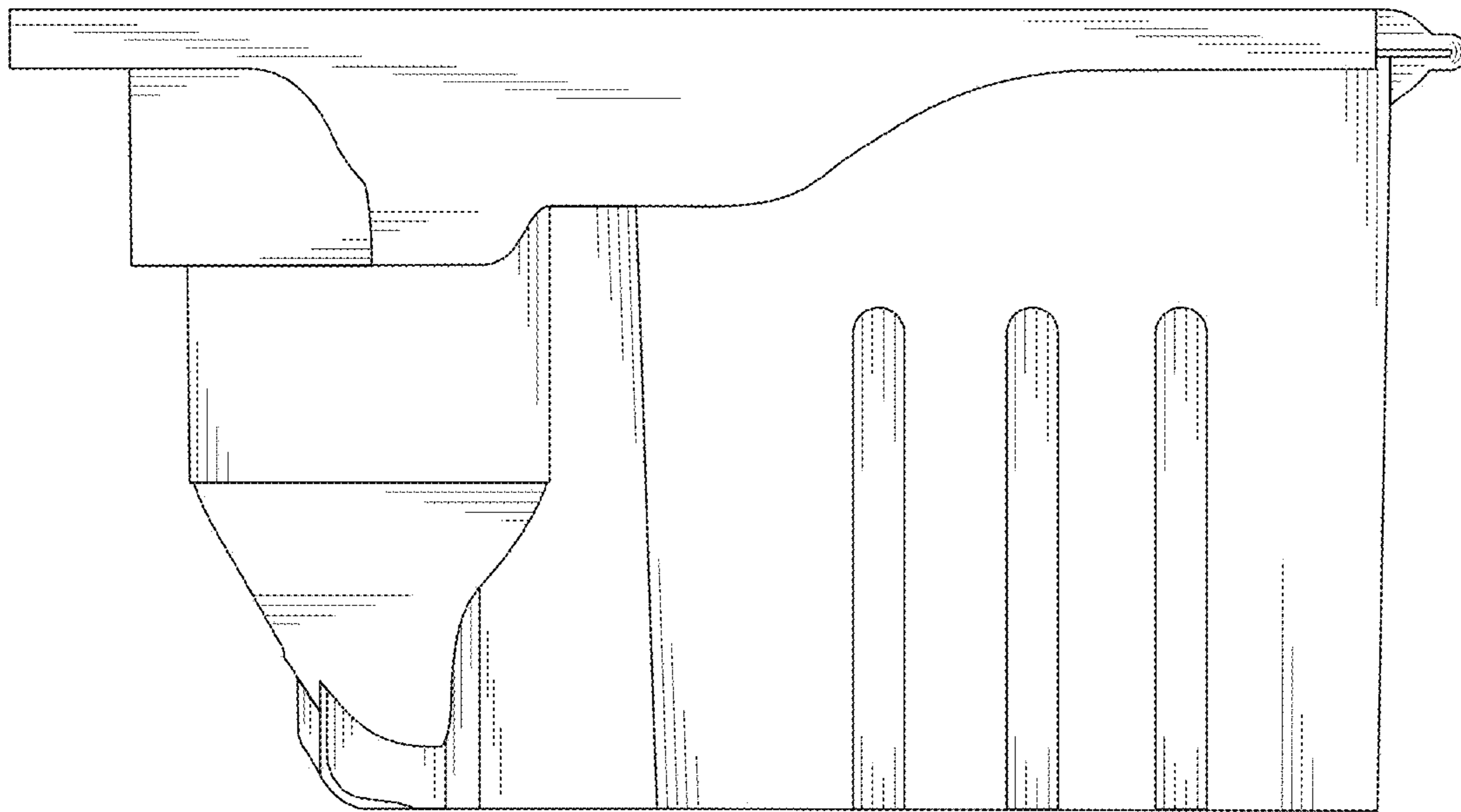


FIG. 11

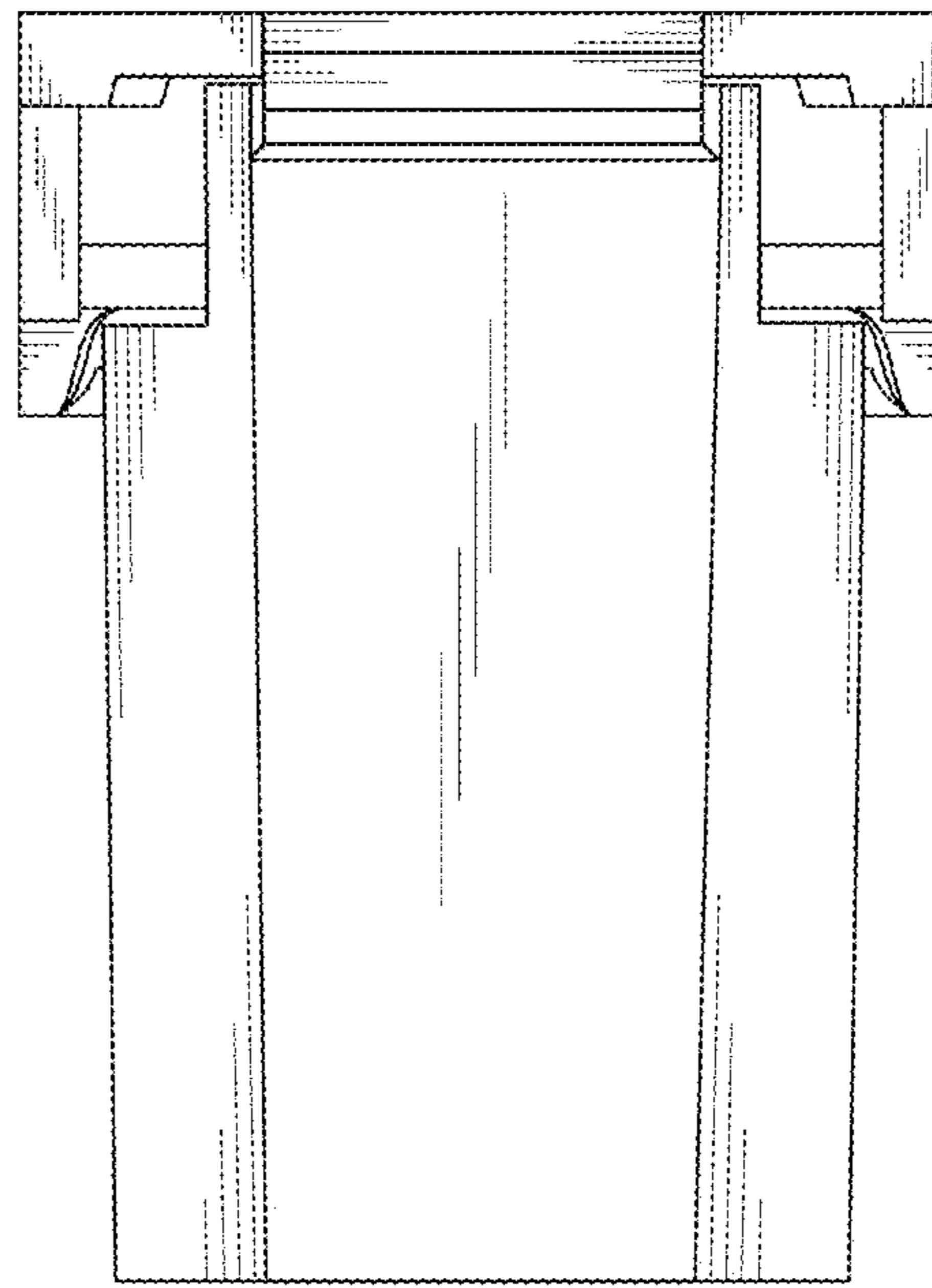


FIG. 12

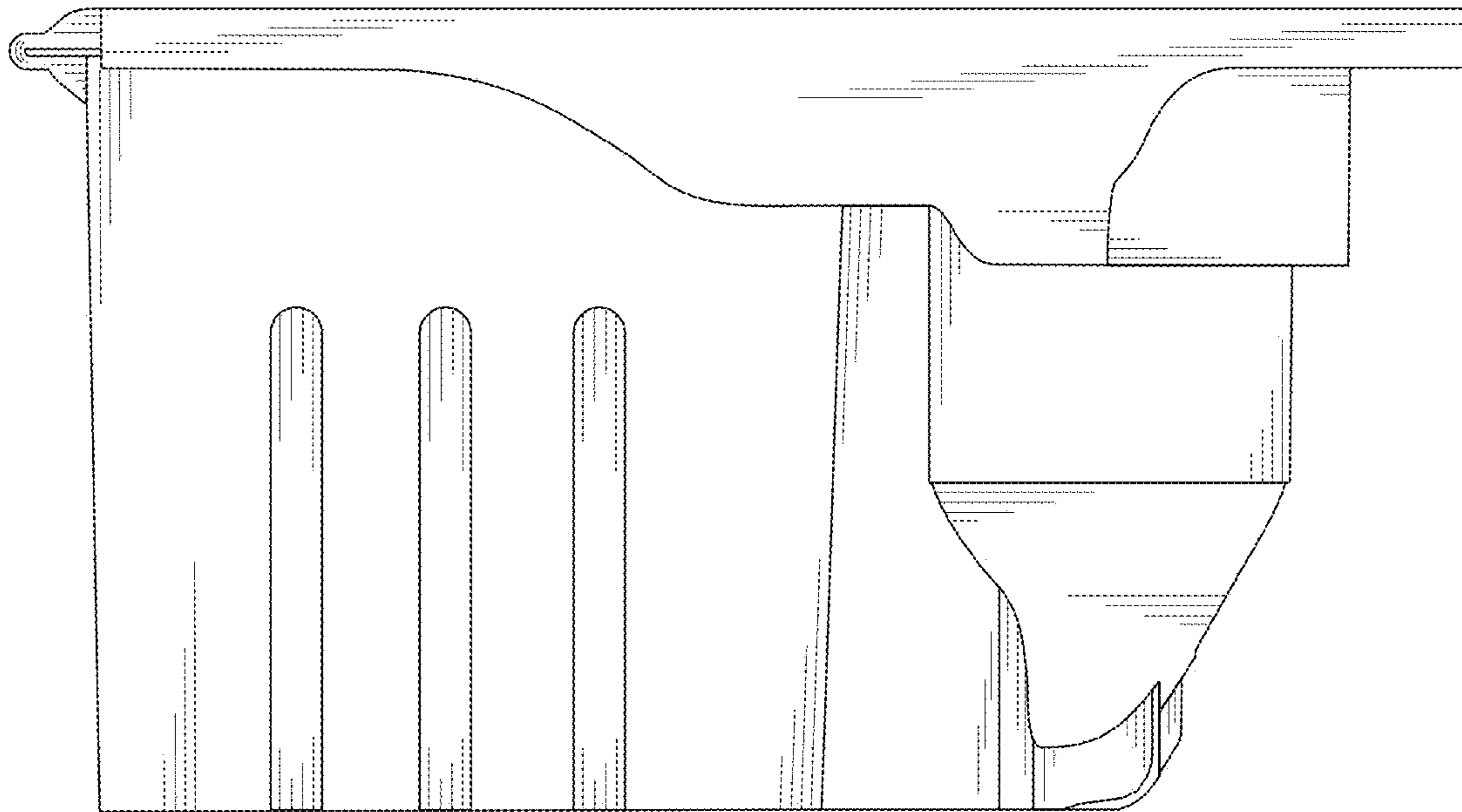


FIG. 13

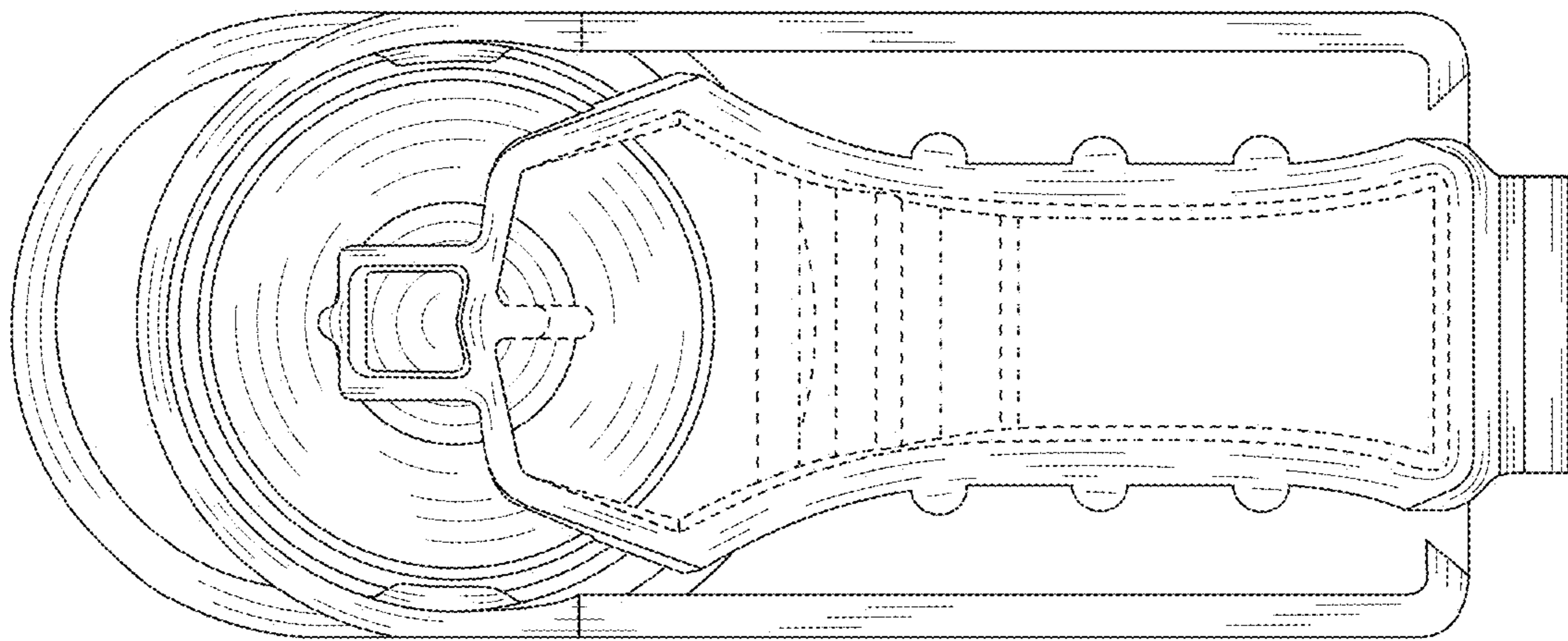


FIG. 14