



US00D888268S

(12) **United States Design Patent**
Oh et al.

(10) **Patent No.:** **US D888,268 S**
(45) **Date of Patent:** **** Jun. 23, 2020**

- (54) **TOOTHBRUSH SANITIZER WITH DENTAL FLOSS DISPENSER**
- (71) Applicant: **IRTRONIX, INC.**, Torrance, CA (US)
- (72) Inventors: **Danny Oh**, Palos Verdes, CA (US); **Alex Lee**, Seoul (KR); **John Park**, Torrance, CA (US); **Chien Nguyen**, Santa Ana, CA (US)
- (73) Assignee: **IRTRONIX, INC.**, Torrance, CA (US)
- (**) Term: **15 Years**
- (21) Appl. No.: **29/685,325**
- (22) Filed: **Mar. 27, 2019**
- (51) **LOC (12) Cl.** **24-01**
- (52) **U.S. Cl.**
USPC **D24/217**
- (58) **Field of Classification Search**
USPC D24/216, 217, 218, 219, 232
CPC A61L 2/26; A61L 2/24; A61L 2/17; A61L 2/18; A61L 2/025; A61L 2202/122; A61L 2202/10; A61L 2202/11; A61L 2202/14; A61L 2202/23; A61L 2202/24; A61L 2202/182
See application file for complete search history.

- 7,348,572 B2 * 3/2008 Shin A61L 2/10 250/455.11
- D601,711 S * 10/2009 Lin D24/217
- D622,406 S * 8/2010 Russell, II D24/217
- D717,967 S * 11/2014 Durant D24/217
- D718,045 S * 11/2014 Fasciglione D3/205
- D750,895 S * 3/2016 Jay D24/217
- D802,788 S * 11/2017 Cormier D24/229

* cited by examiner

Primary Examiner — Anhdao Doan

(74) *Attorney, Agent, or Firm* — Cislo & Thomas, LLP

(57) **CLAIM**

We claim the ornamental design for a toothbrush sanitizer with dental floss dispenser, as shown and described.

DESCRIPTION

FIG. 1 is a top perspective view of the electric toothbrush sanitizer with dental floss dispenser.
 FIG. 2 is a bottom perspective view thereof.
 FIG. 3 is a front view thereof.
 FIG. 4 is a rear view thereof.
 FIG. 5 is a left side elevation view thereof.
 FIG. 6 is a right side elevation view thereof.
 FIG. 7 is a top plan view thereof.
 FIG. 8 is a bottom view thereof.
 FIG. 9 is a bottom perspective view with a cover panel in open position, showing the floss dispenser inside; and,
 FIG. 10 is a top perspective view thereof showing how a toothbrush may be inserted into the sanitizer.
 In the drawings, the broken line showing of a toothbrush represents an environmental subject matter, and the remaining broken lines illustrate unclaimed portions of the design; the broken lines form no part of the claimed design.

1 Claim, 4 Drawing Sheets

(56) **References Cited**

U.S. PATENT DOCUMENTS

- D501,930 S * 2/2005 Shin D24/217
- D531,771 S * 11/2006 Kim D32/25
- D542,930 S * 5/2007 Shin D24/217
- D556,337 S * 11/2007 Davis D24/217

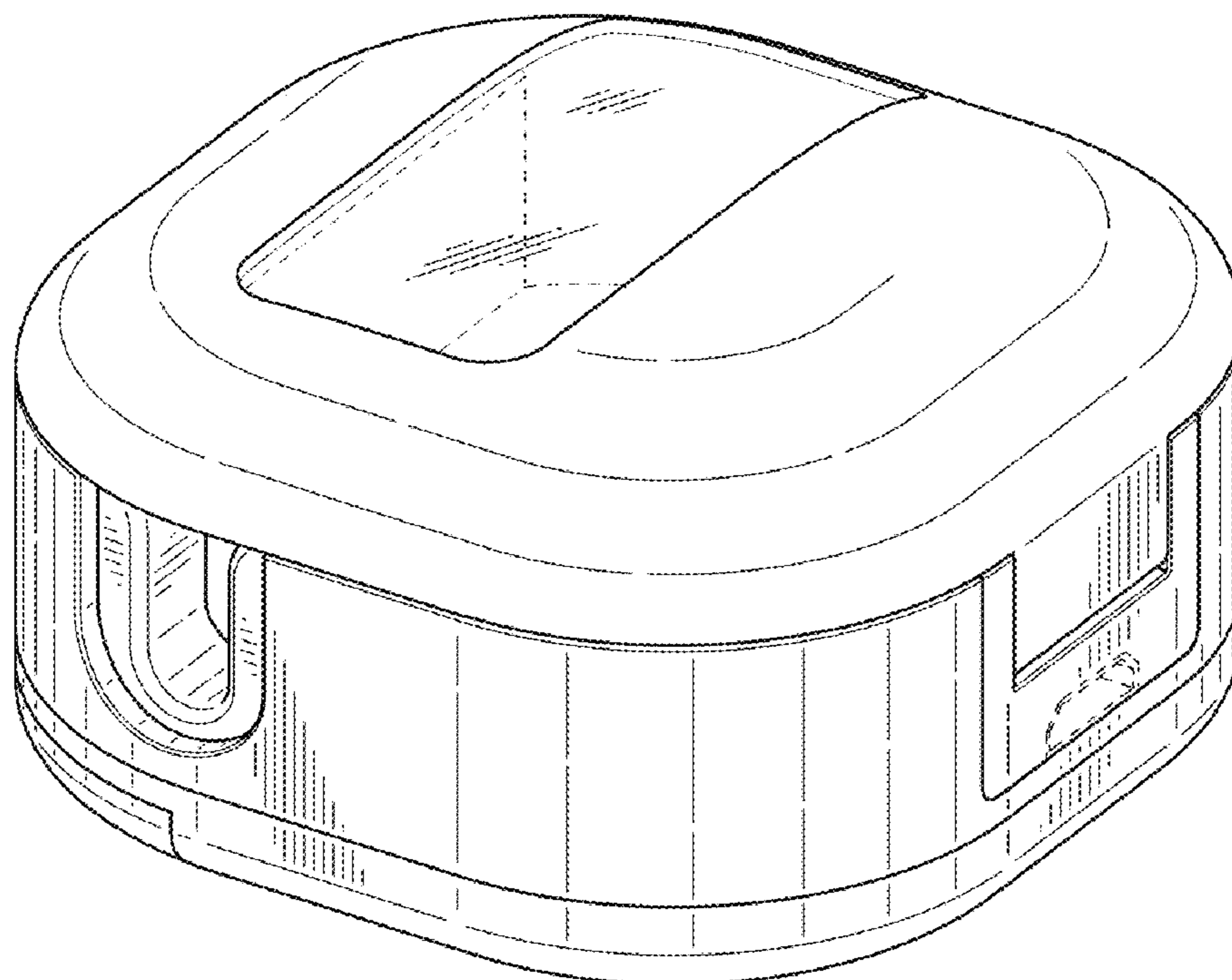


FIG. 1

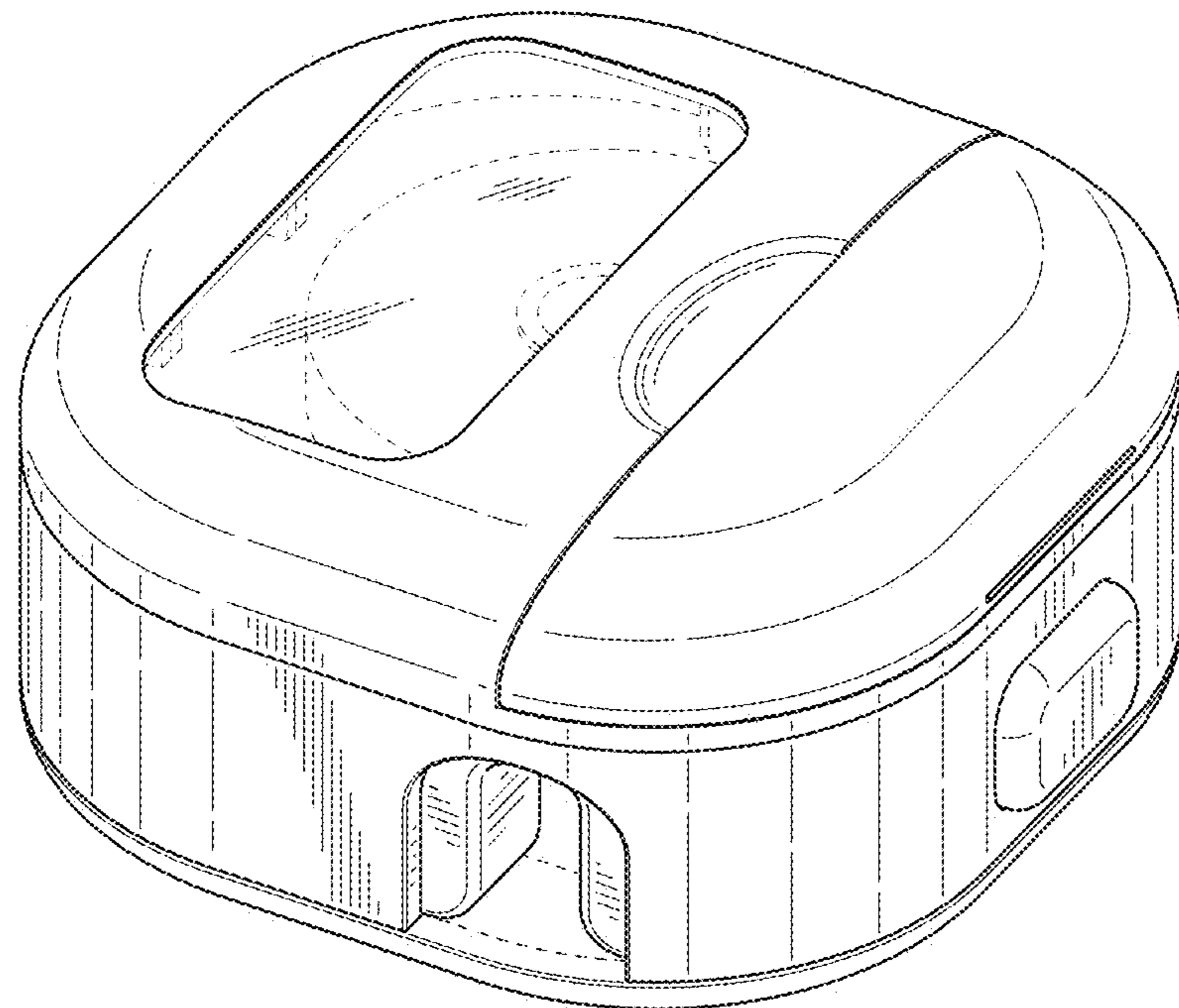
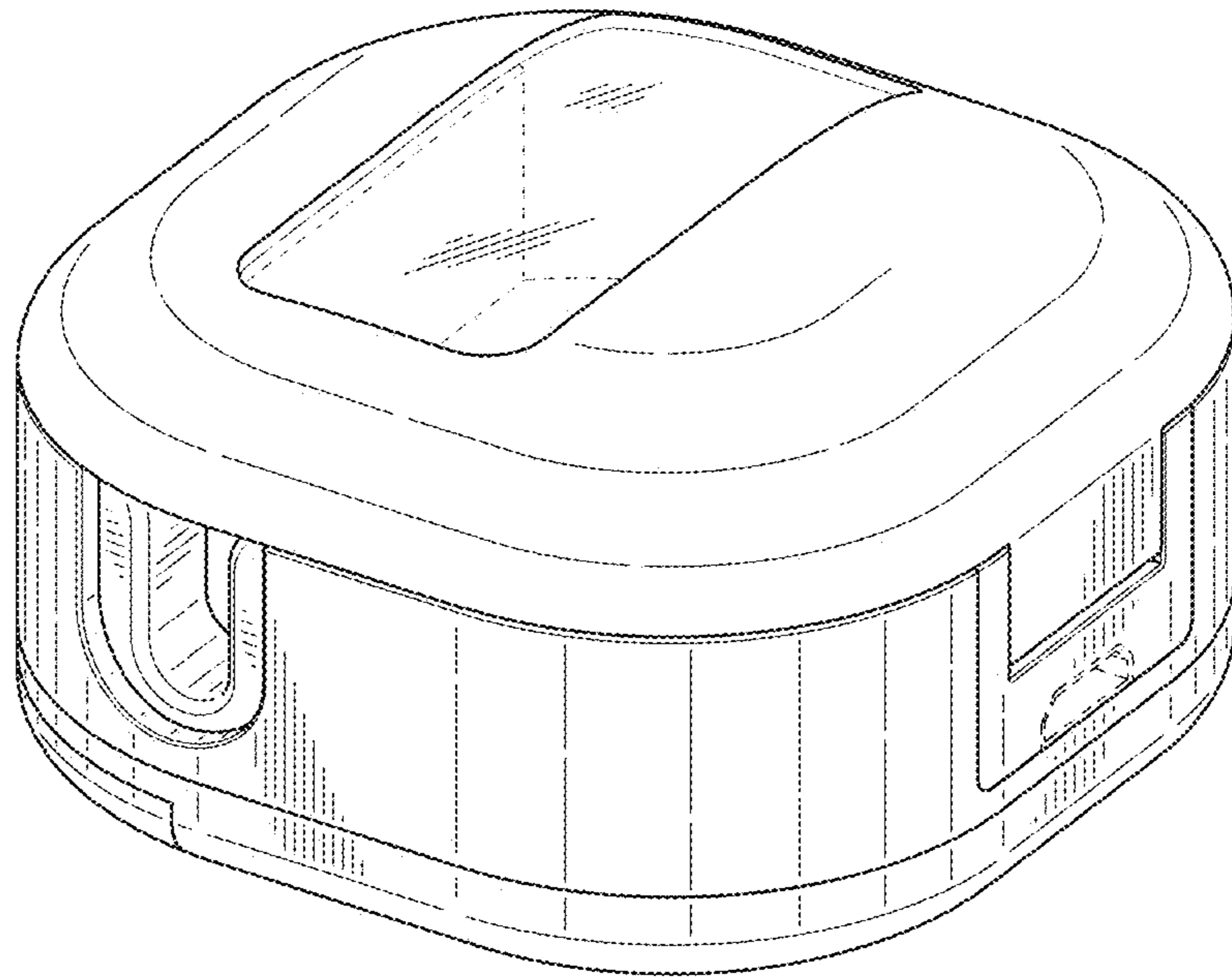


FIG. 2

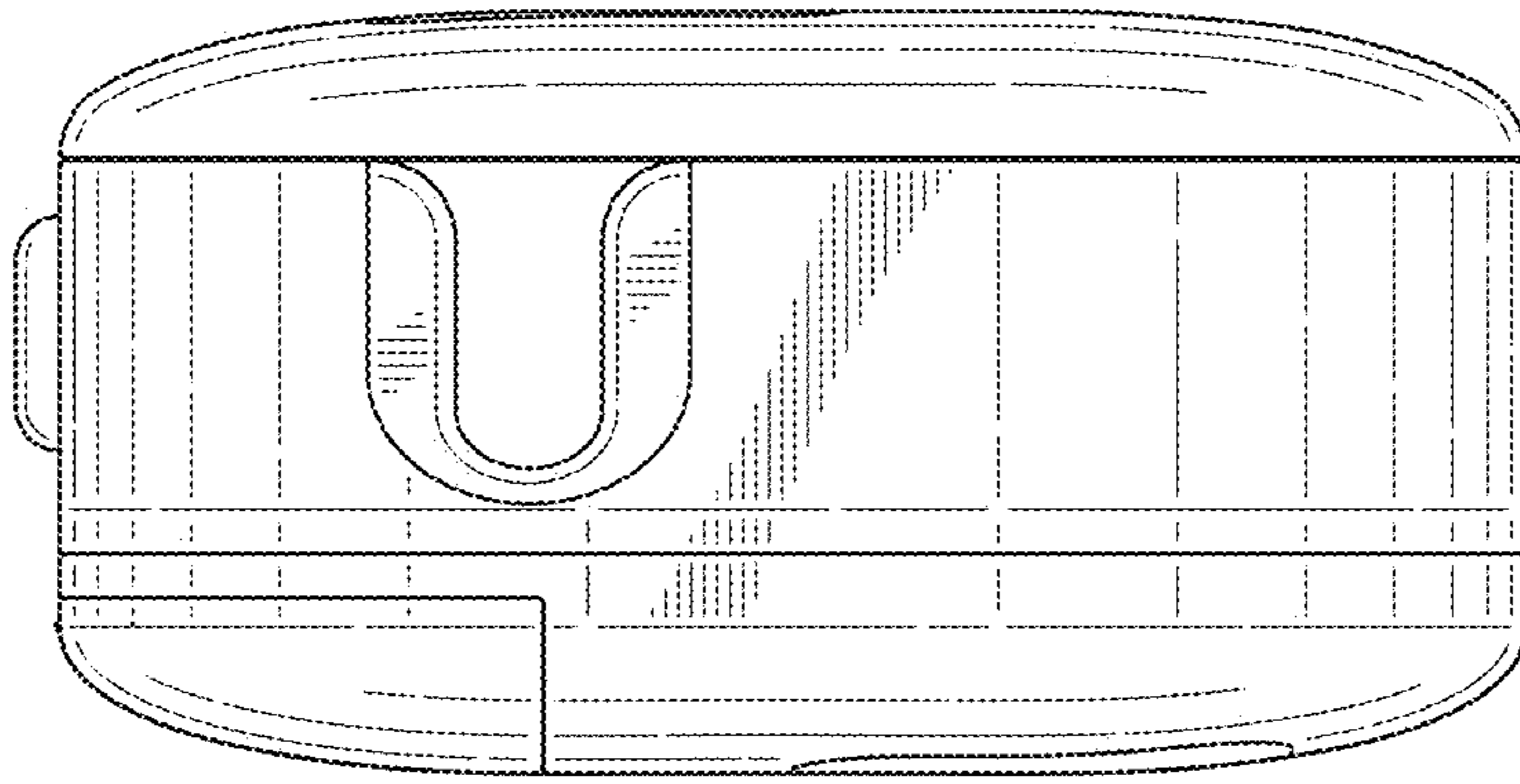


FIG. 3

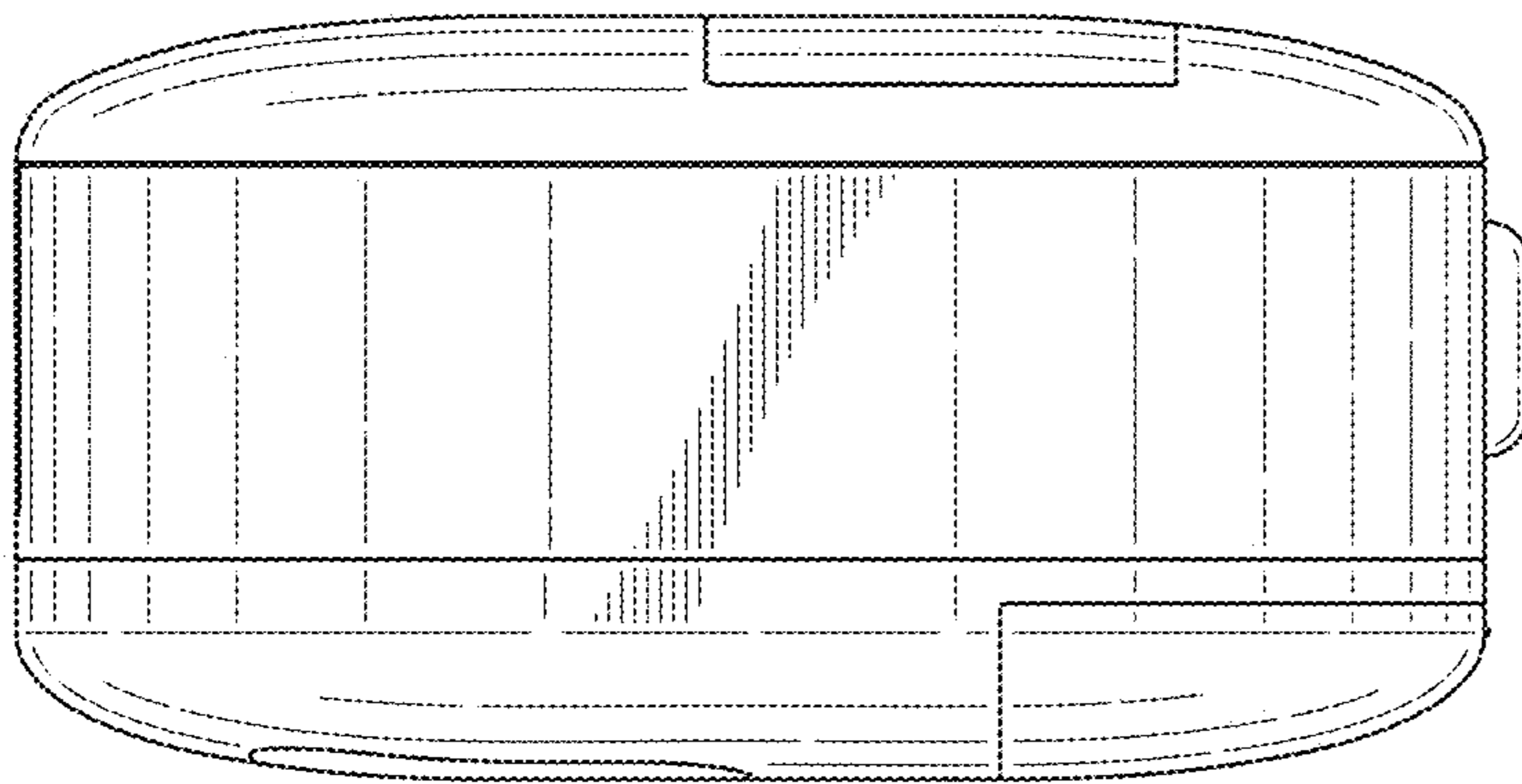


FIG. 4

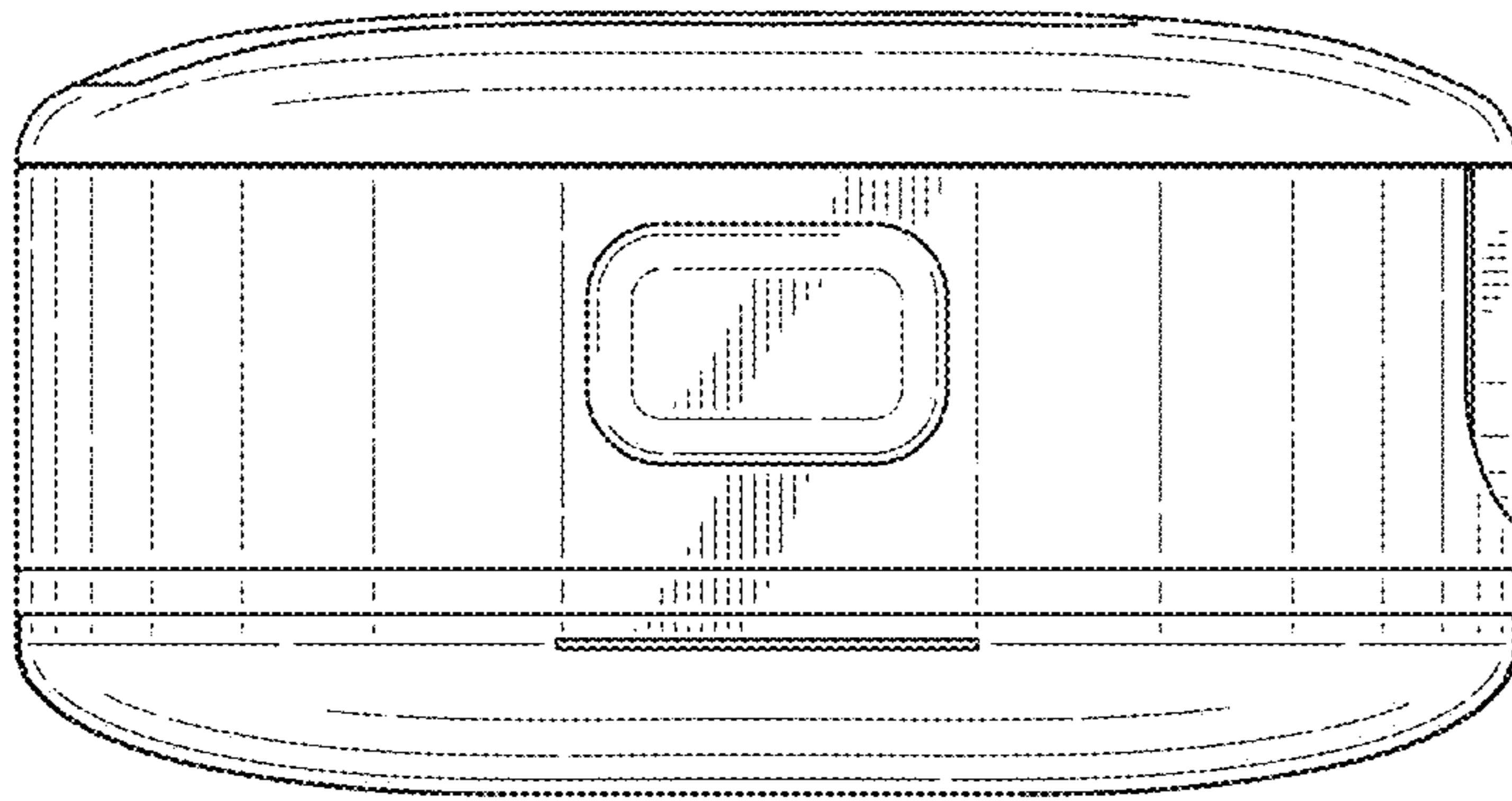


FIG. 5

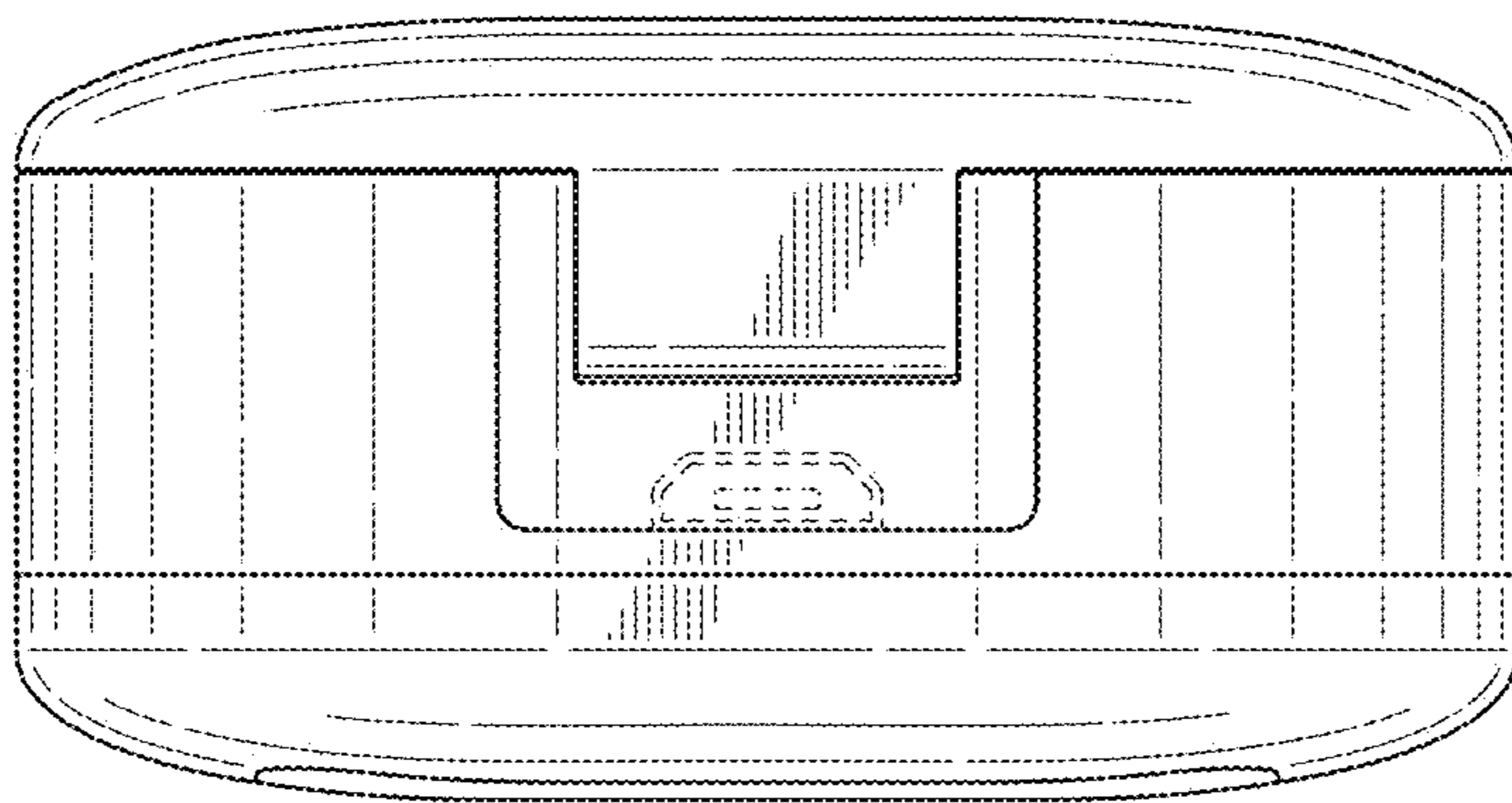


FIG. 6

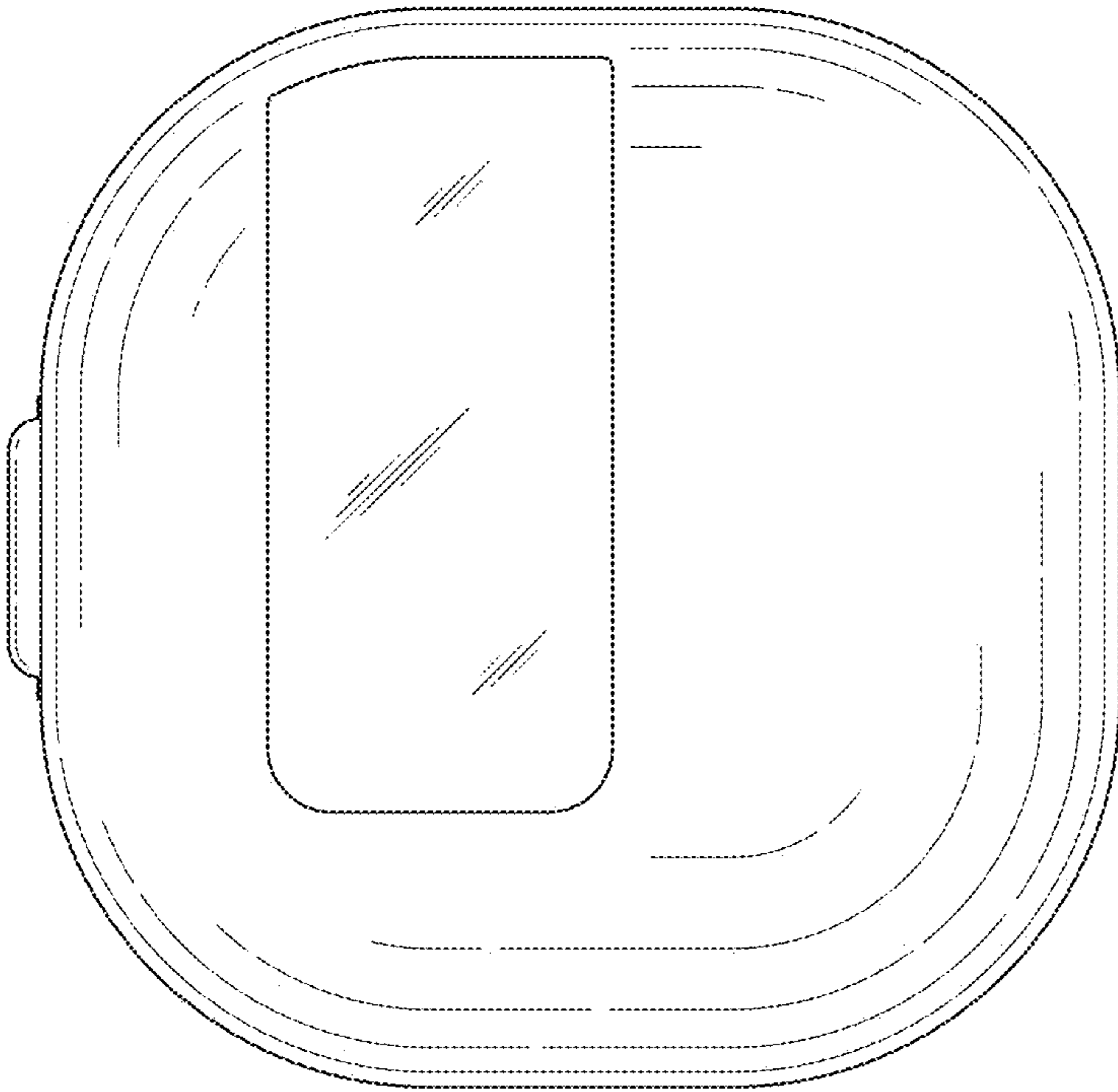


FIG. 7

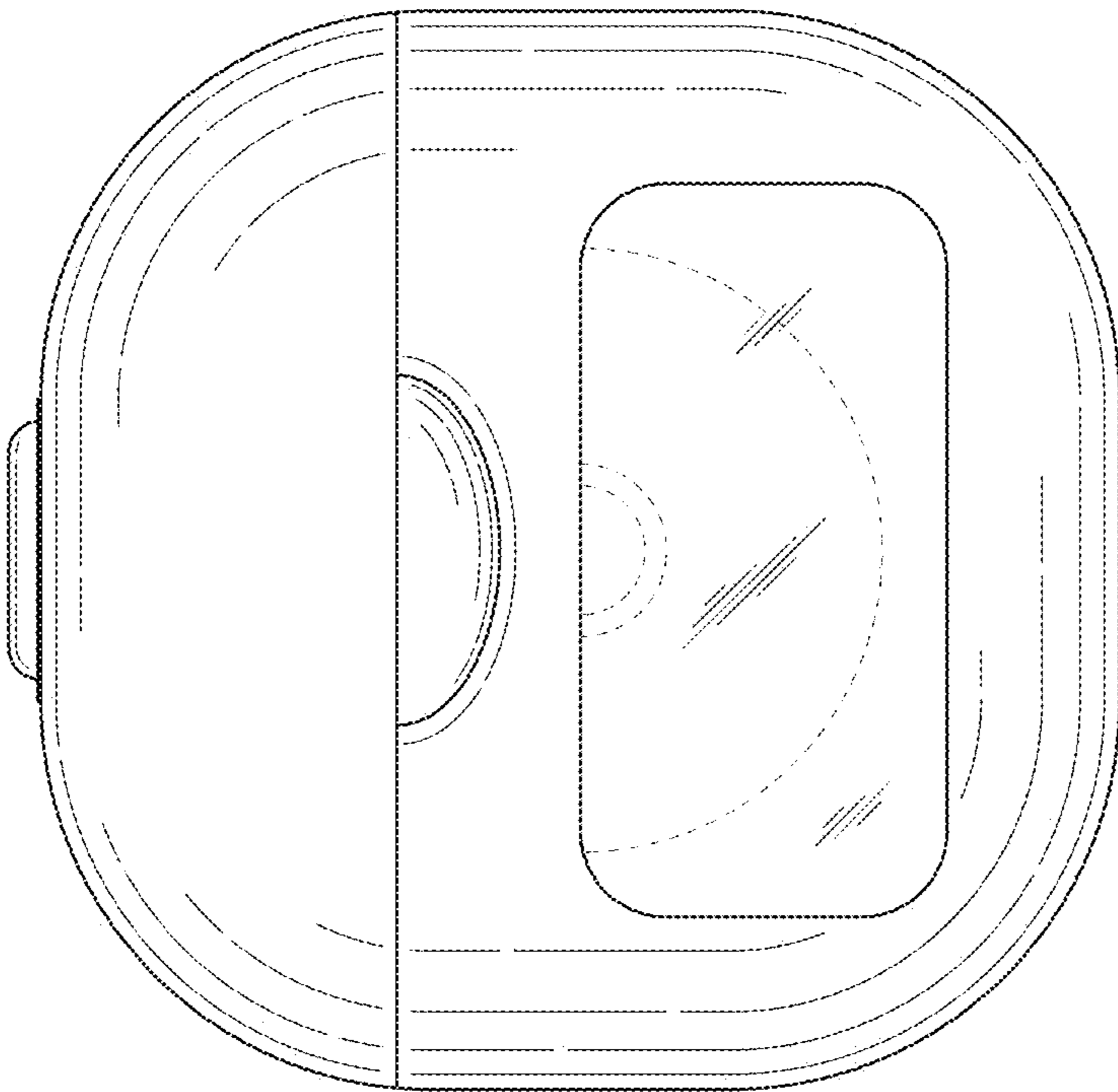


FIG. 8

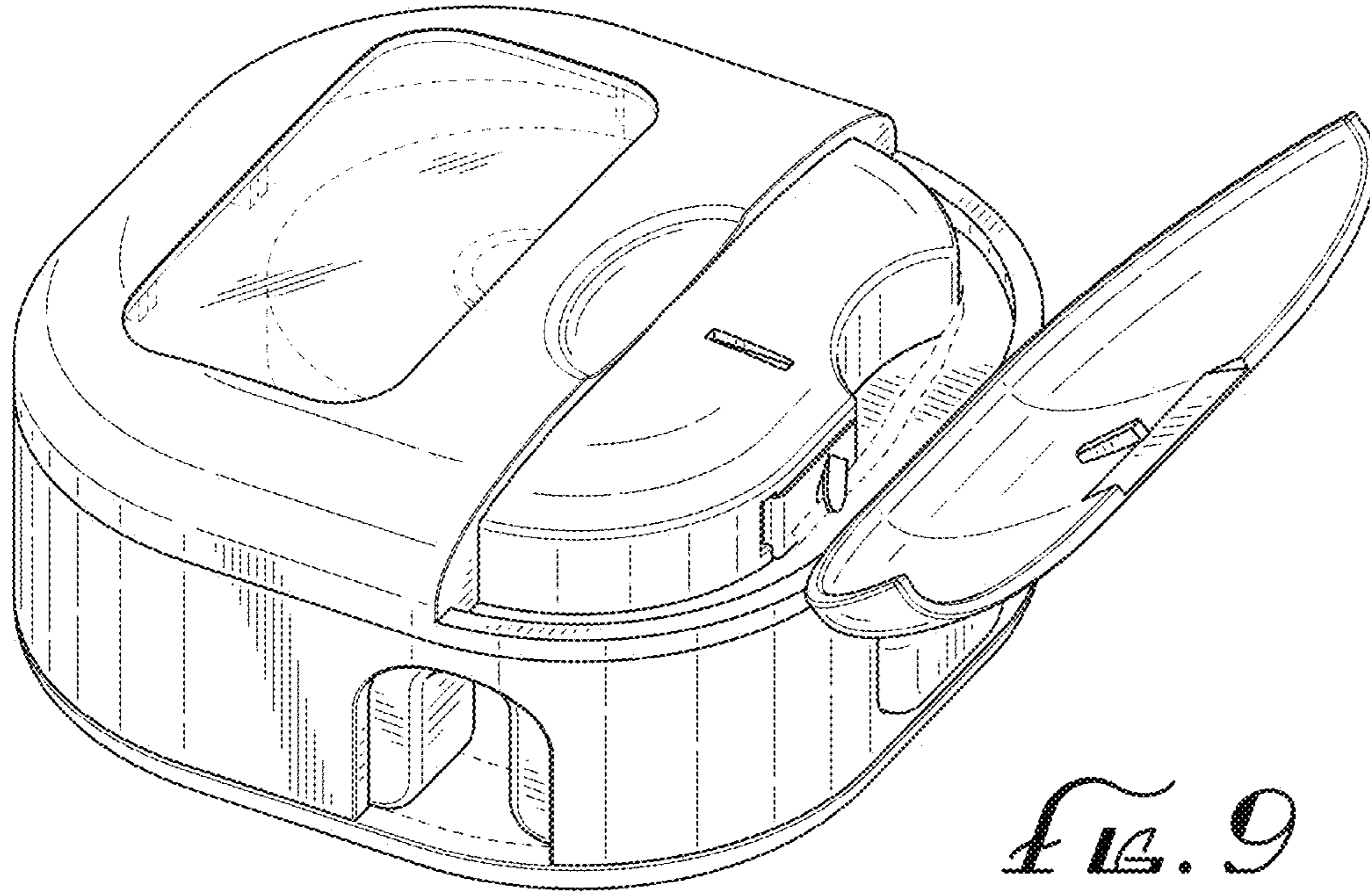


FIG. 9

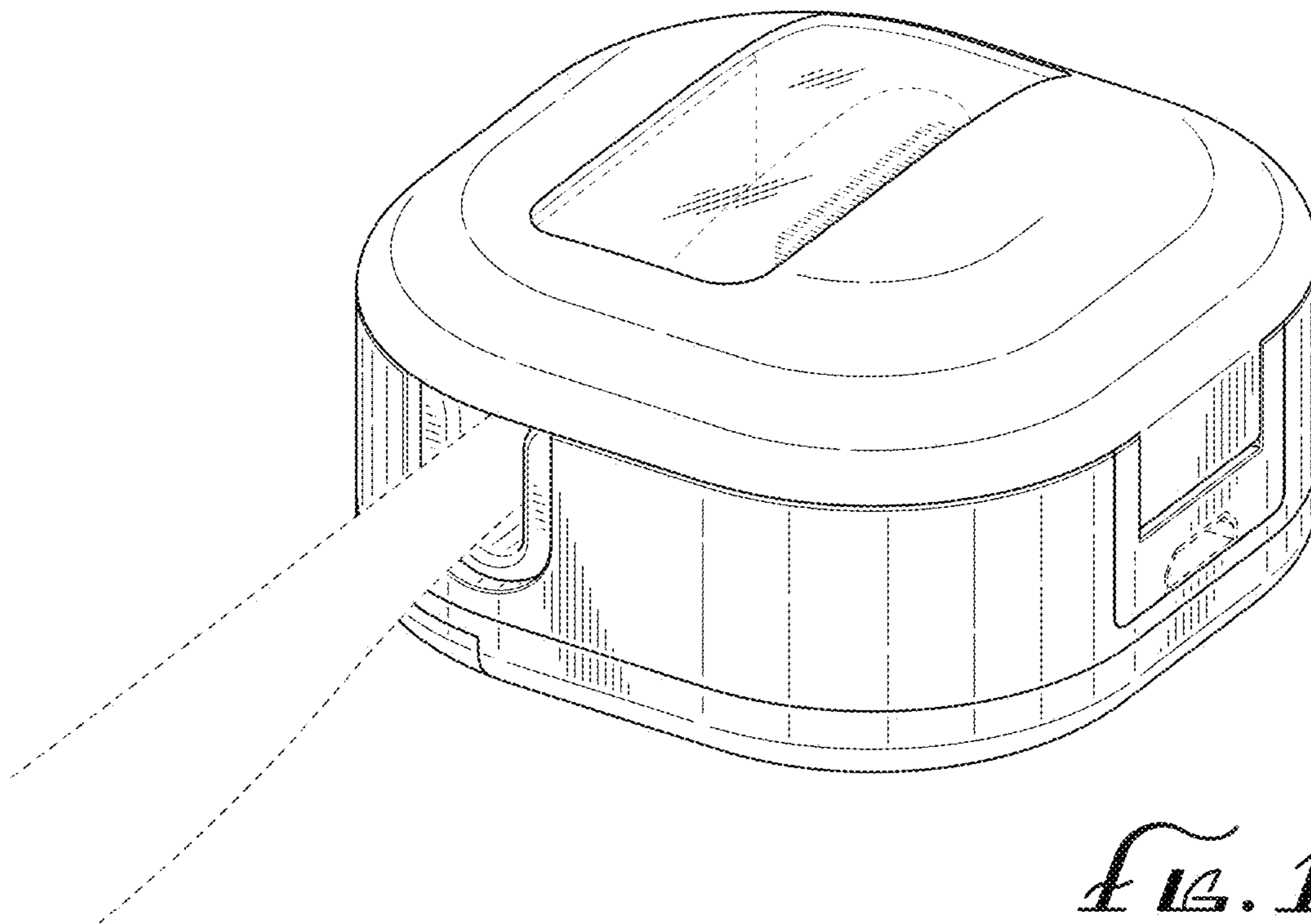


FIG. 10