



US00D888266S

(12) **United States Design Patent**
Zhou

(10) **Patent No.:** **US D888,266 S**
(45) **Date of Patent:** **** Jun. 23, 2020**

- (54) **VIBRATION MASSAGER**
 - (71) Applicant: **Guangzhou Zhongshu E-Commerce Co., Ltd.**, Guangzhou, Guangdong (CN)
 - (72) Inventor: **Dan Zhou**, Guangdong (CN)
 - (**) Term: **15 Years**
 - (21) Appl. No.: **29/724,713**
 - (22) Filed: **Feb. 18, 2020**
 - (51) **LOC (12) Cl.** **28-03**
 - (52) **U.S. Cl.**
USPC **D24/215**
 - (58) **Field of Classification Search**
USPC D24/200, 211, 214, 215
CPC A61H 7/001; A61H 2015/0028; A61H 7/003; A61H 1/00; A61H 7/002; A61H 7/007
- See application file for complete search history.

- D866,783 S * 11/2019 Sedic D24/211
- D868,990 S * 12/2019 Tse D24/215
- D869,675 S * 12/2019 Hitscherich D24/215
- D877,352 S * 3/2020 Jouffret D24/215
- D879,990 S * 3/2020 Qiu D24/215
- D879,992 S * 3/2020 Li D24/215
- D882,107 S * 4/2020 Qiu D24/215
- D882,109 S * 4/2020 Qiu D24/215

* cited by examiner

Primary Examiner — Cynthia Ramirez
Assistant Examiner — Michael A Maharaj
(74) *Attorney, Agent, or Firm* — ZANIP

(57) **CLAIM**

The ornamental design for a vibration massager, as shown and described.

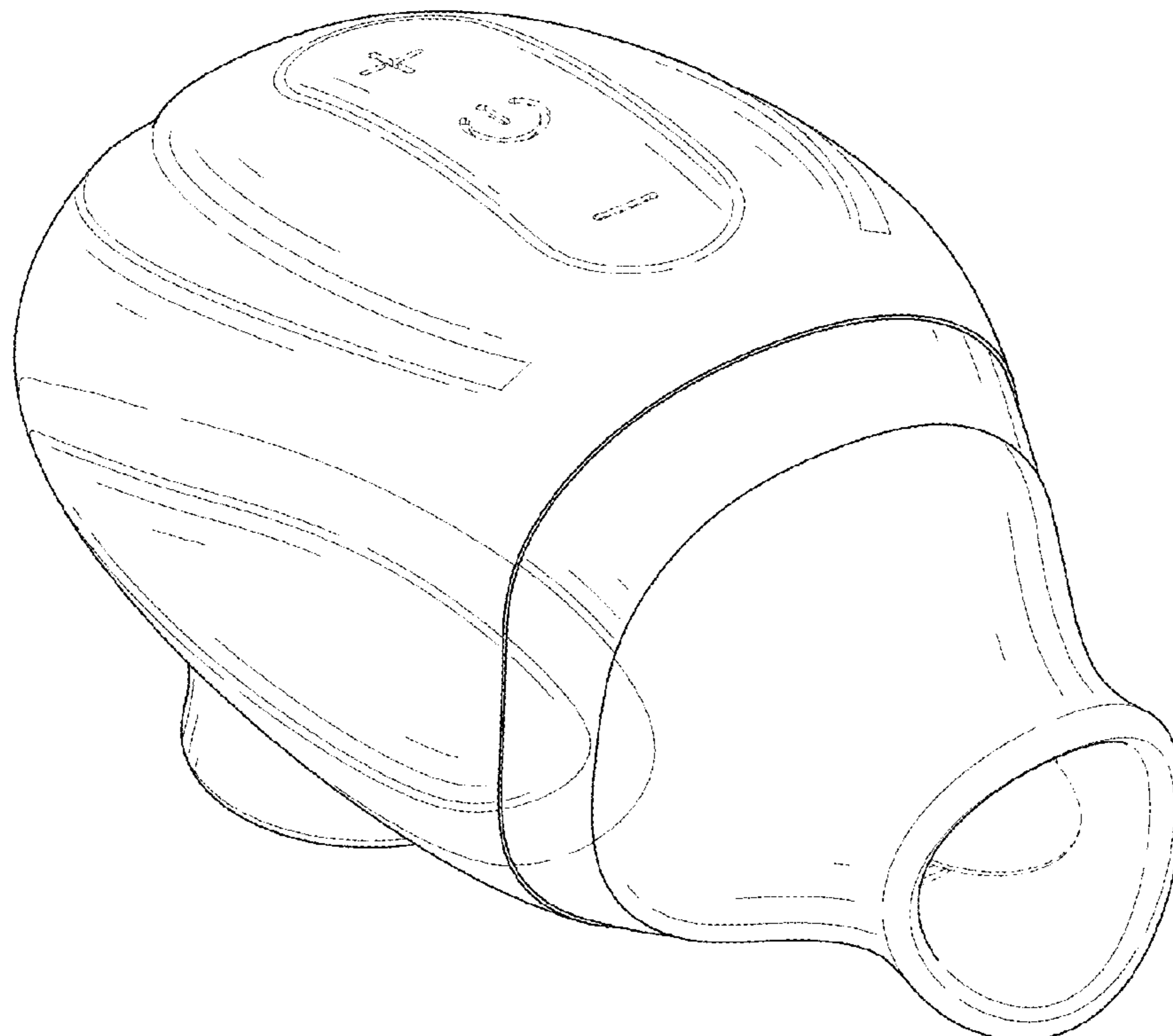
DESCRIPTION

FIG. 1 is a front and top perspective view of a vibration massager, showing my new design;
FIG. 2 is a rear and bottom perspective view thereof;
FIG. 3 is a front elevational view thereof;
FIG. 4 is a rear elevational view thereof;
FIG. 5 is a left side elevational view thereof;
FIG. 6 is a right side elevational view thereof;
FIG. 7 is a top plan view thereof; and,
FIG. 8 is a bottom plan view thereof.
The broken lines in the figures illustrate portions of the vibration massager that form no part of the claimed design.

1 Claim, 8 Drawing Sheets

(56) **References Cited**
U.S. PATENT DOCUMENTS

- D724,750 S * 3/2015 Taylor D24/211
- D825,073 S * 8/2018 Lenke D24/215
- D836,792 S * 12/2018 Fuhner D24/215
- D846,754 S * 4/2019 Nelson D24/215
- D847,362 S 4/2019 Tang
- D848,013 S * 5/2019 Fuhner D24/215
- D848,632 S * 5/2019 Fuhner D24/215
- D848,633 S * 5/2019 Fuhner D24/215
- D861,187 S * 9/2019 Fuhner D24/215



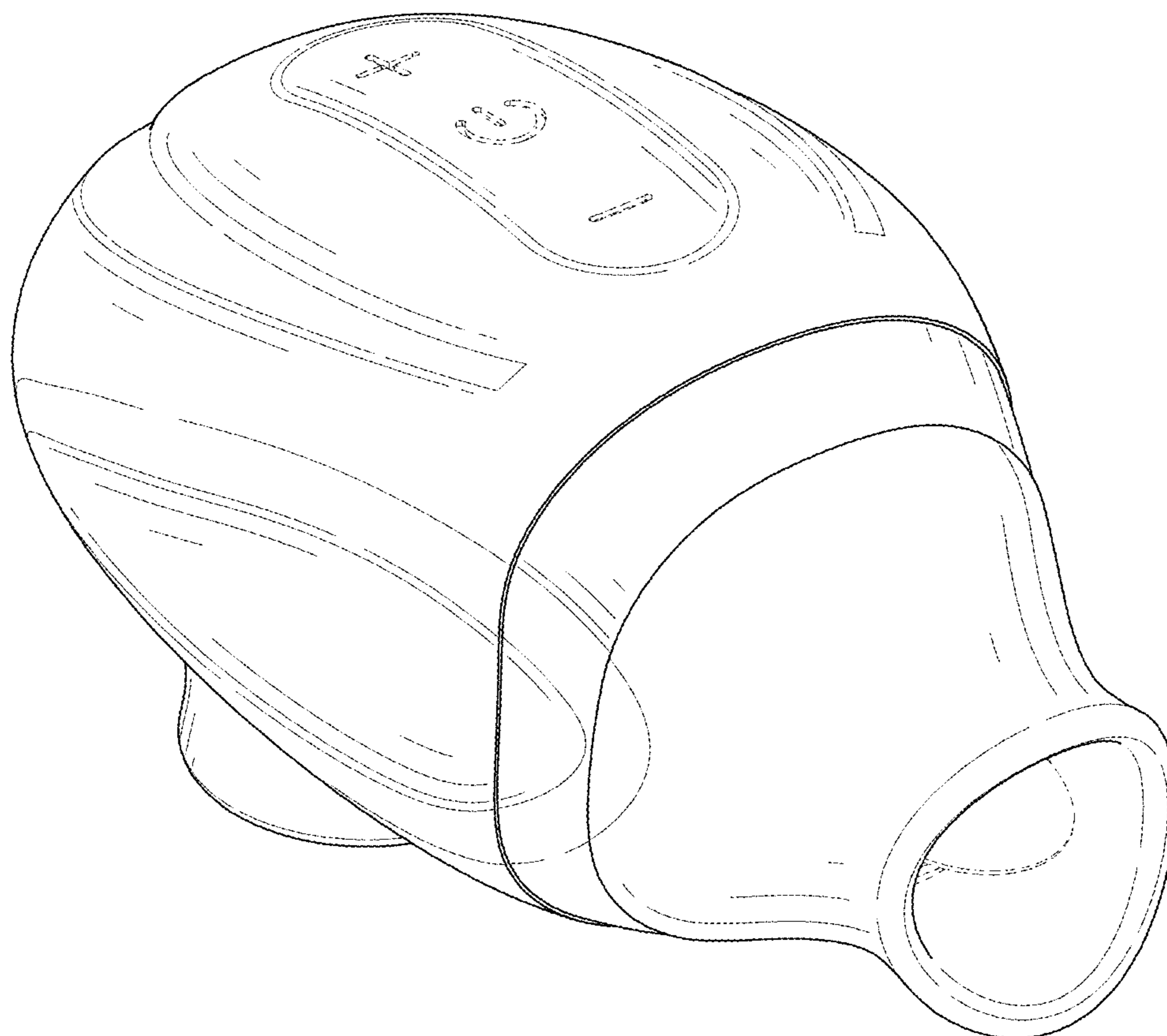


FIG. 1

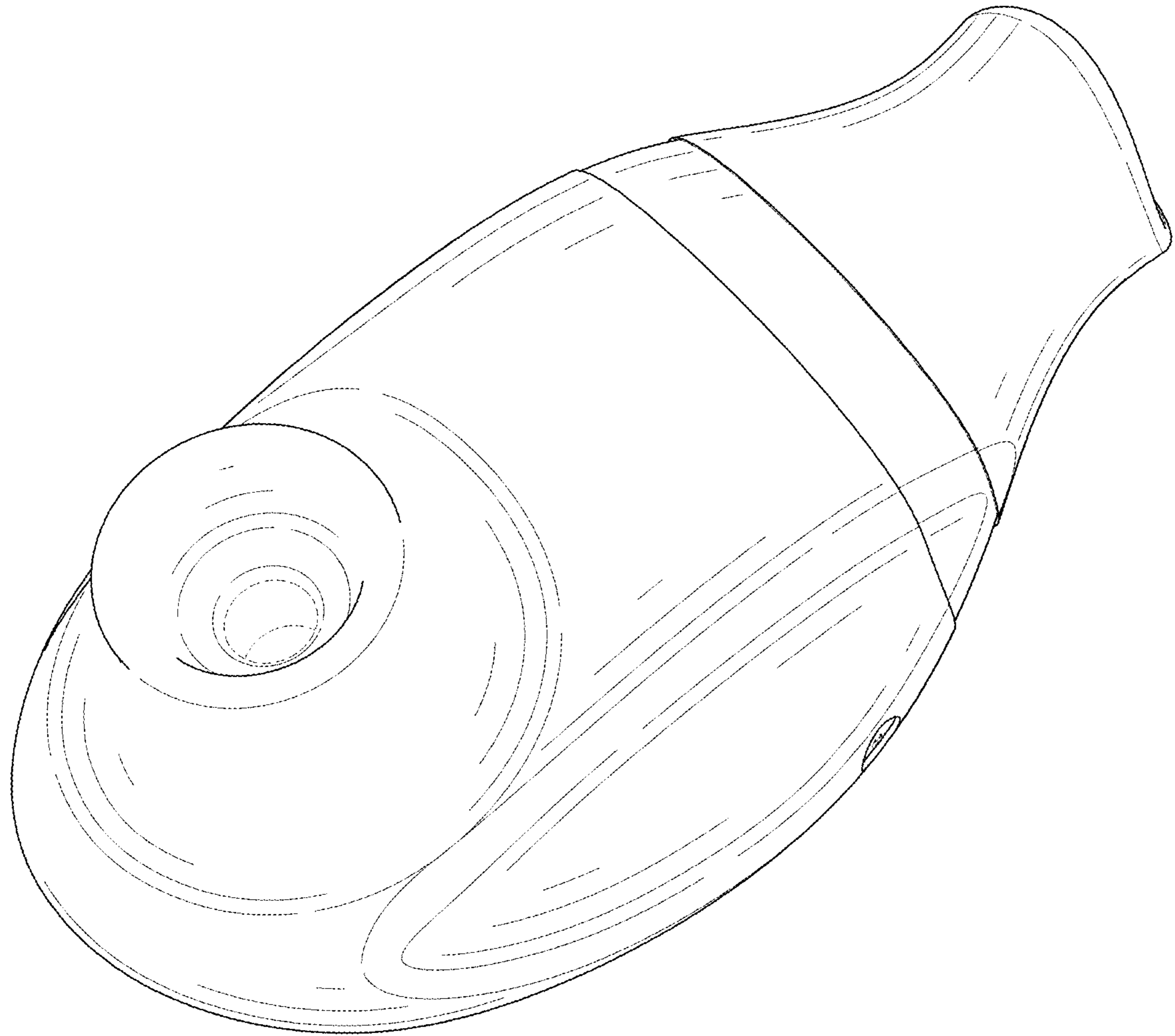


FIG. 2

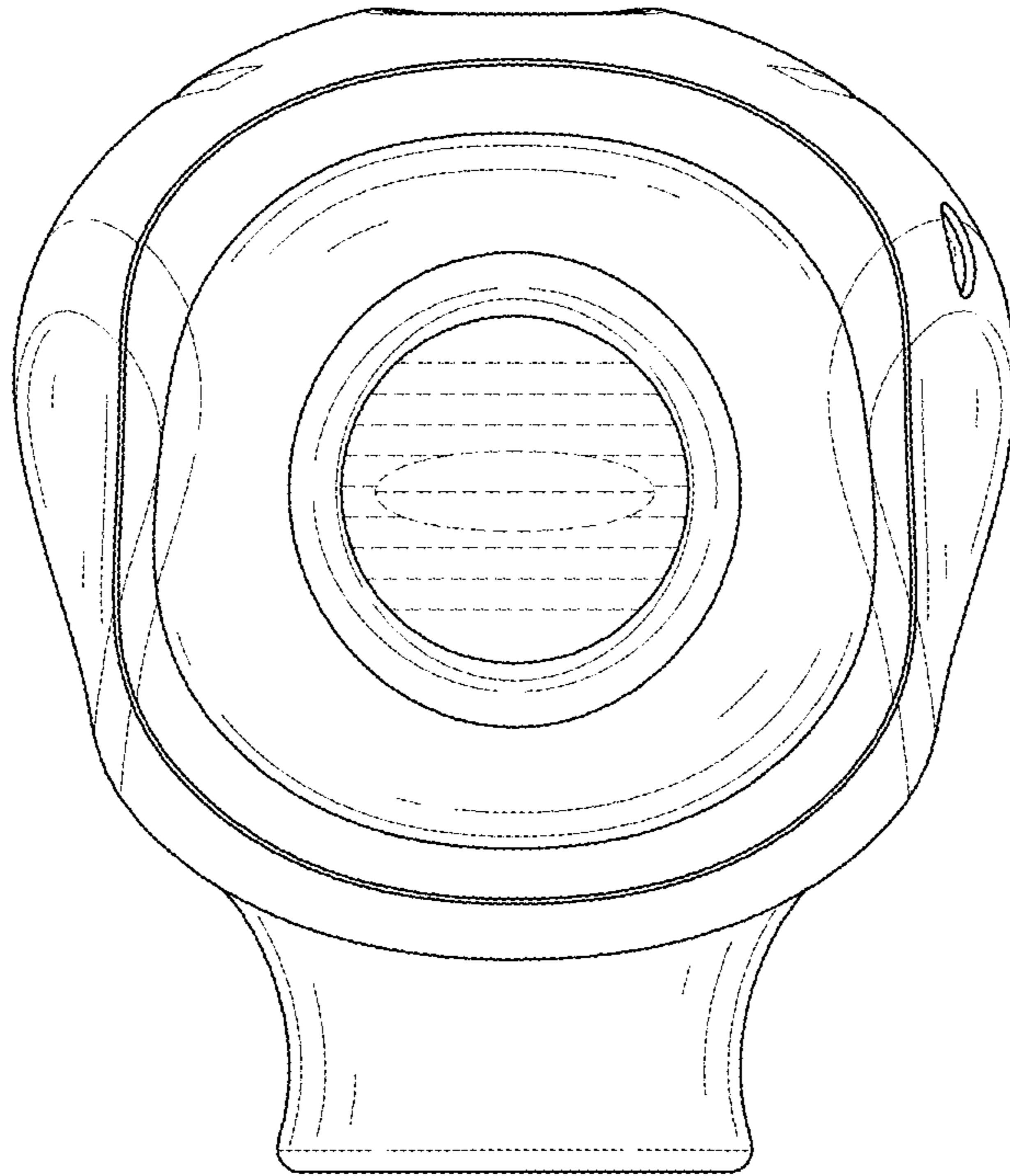


FIG. 3

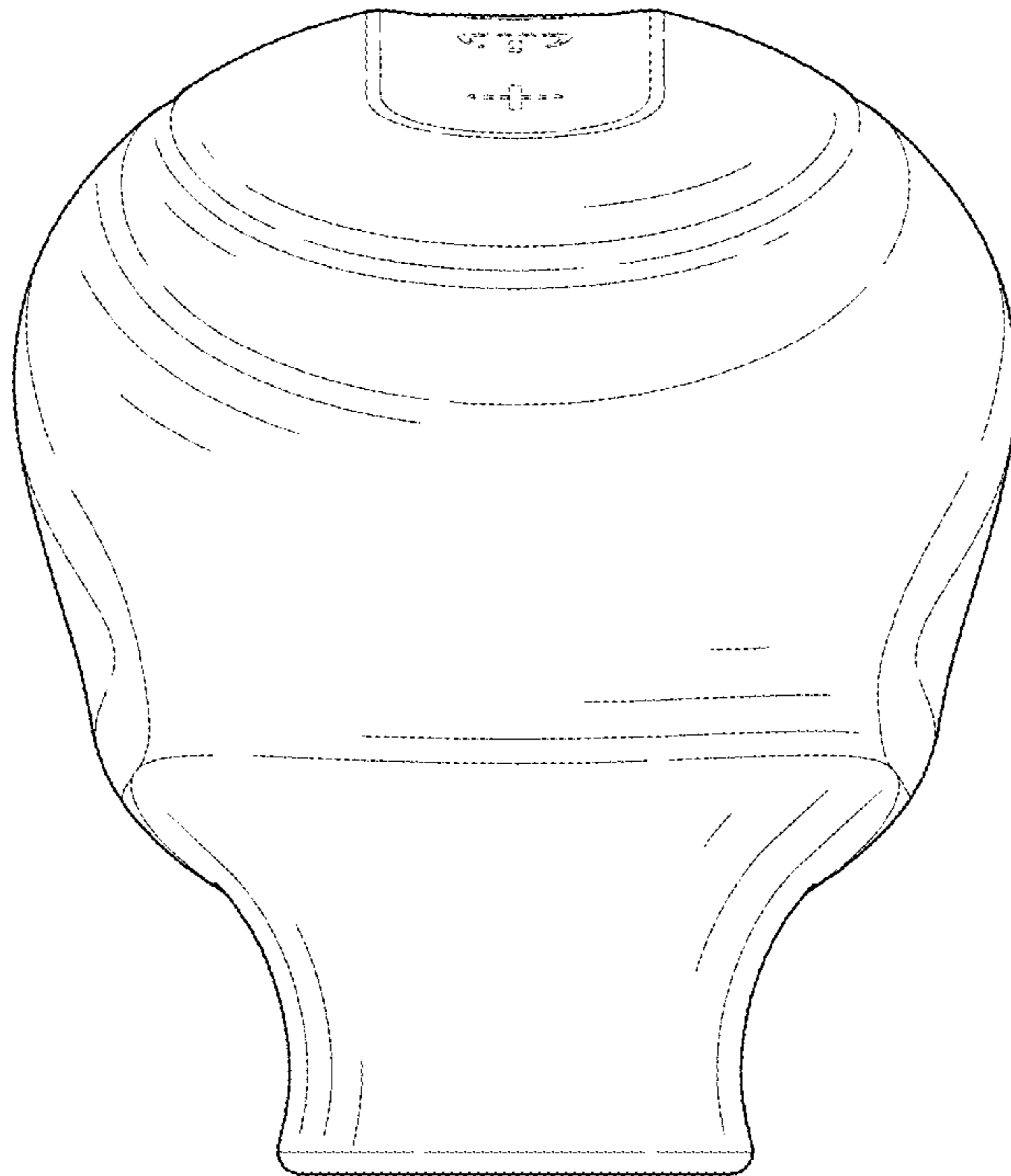


FIG. 4

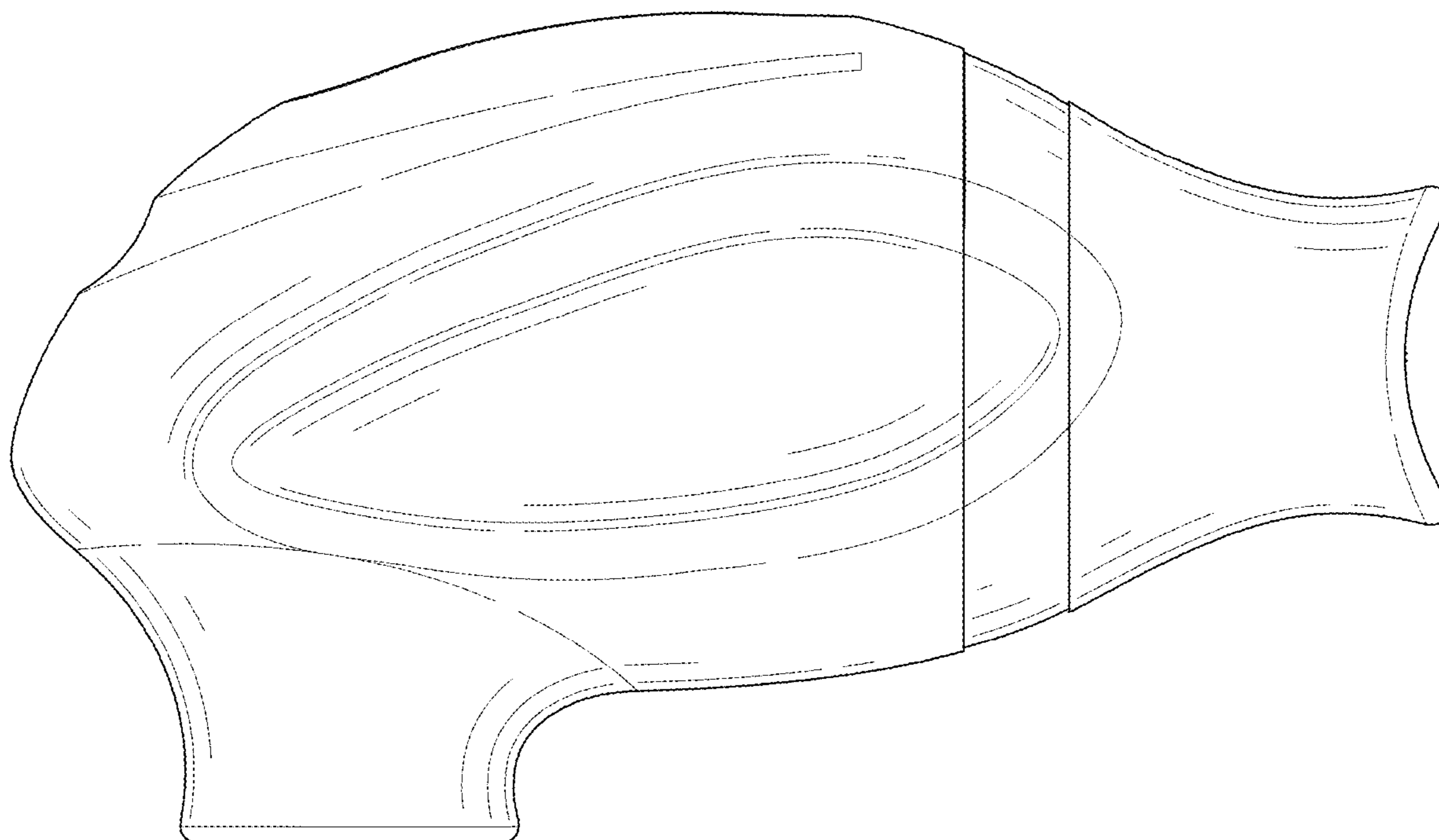


FIG. 5

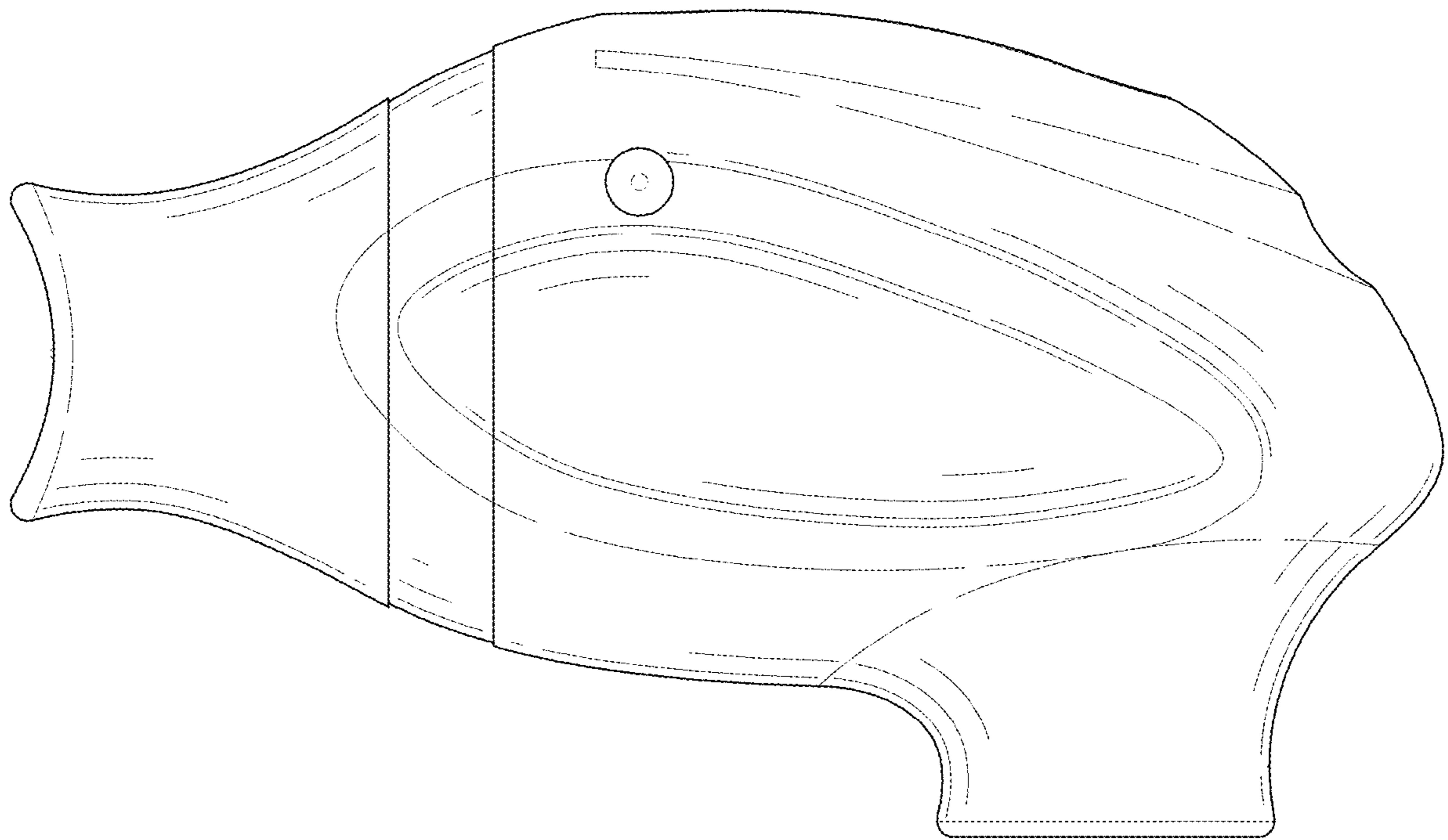


FIG. 6

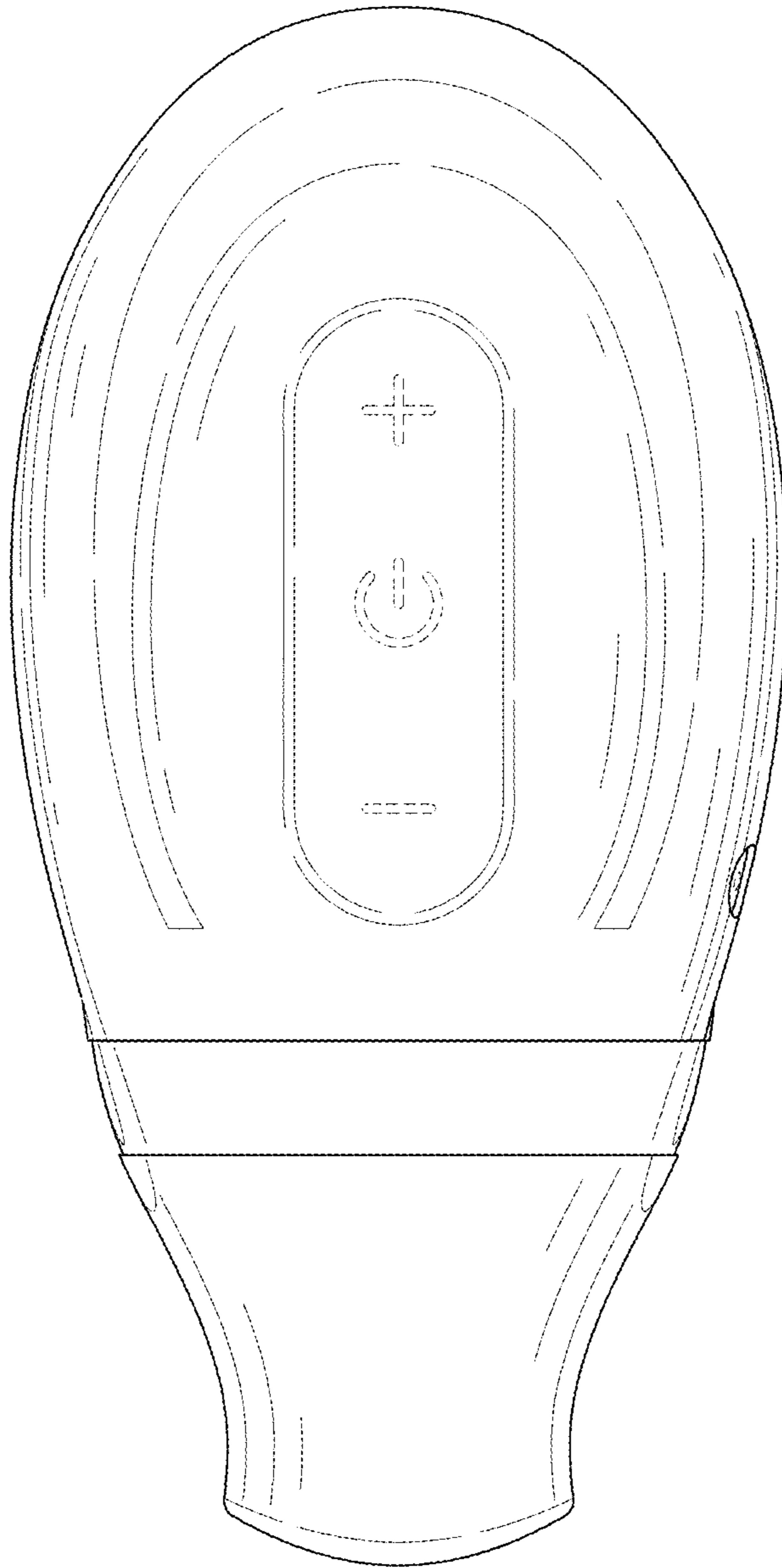


FIG. 7

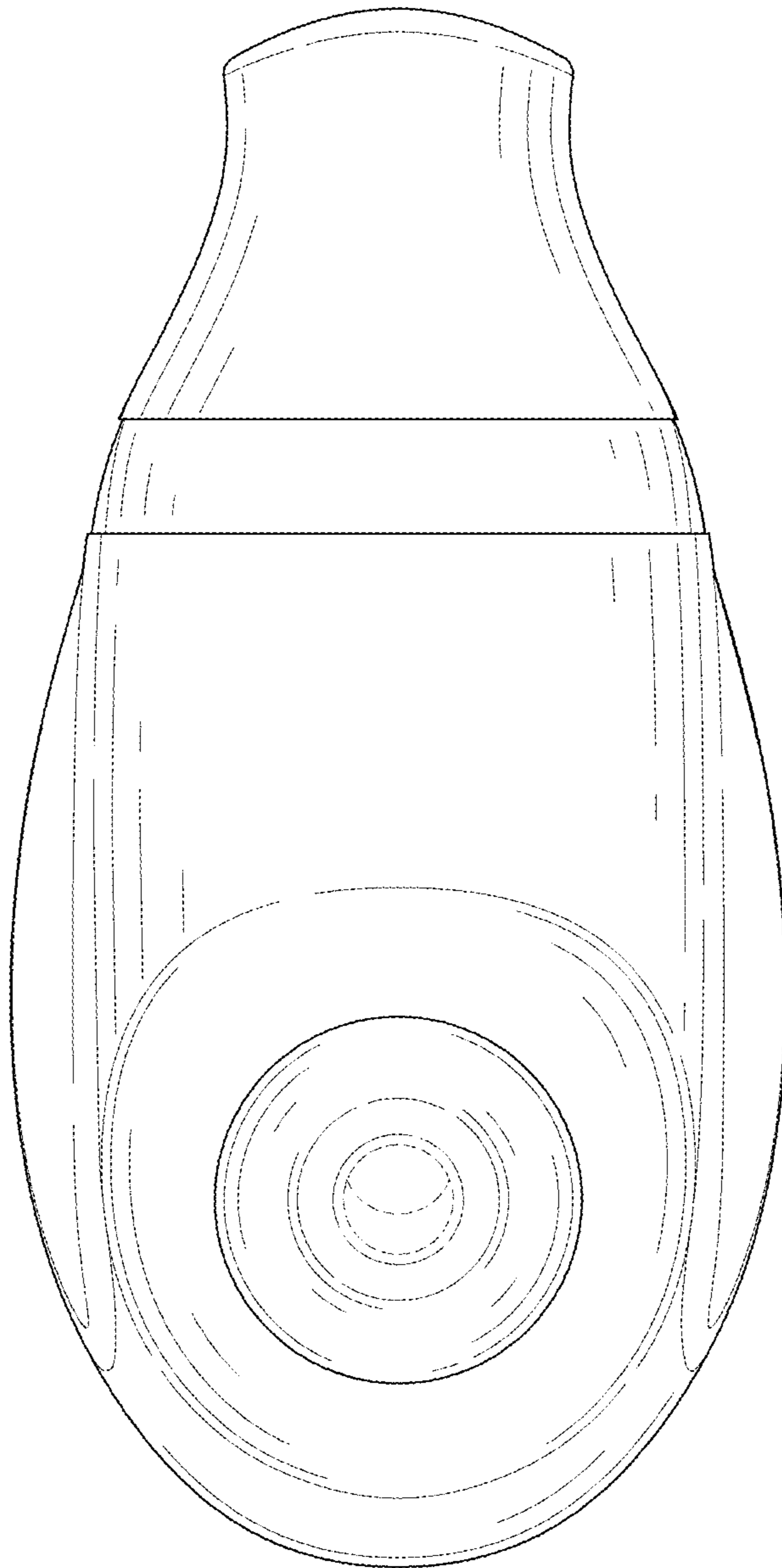


FIG. 8