



US00D888264S

(12) **United States Design Patent**
Sherrill

(10) **Patent No.:** **US D888,264 S**
(45) **Date of Patent:** **** Jun. 23, 2020**

- (54) **MASSAGING BEAUTY TOOL**
- (71) Applicant: **Nurse Jamie, Inc.**, Santa Monica, CA (US)
- (72) Inventor: **Jamie Sherrill**, Santa Monica, CA (US)
- (73) Assignee: **Nurse Jamie, Inc.**, Santa Monica, CA (US)
- (**) Term: **15 Years**
- (21) Appl. No.: **29/677,887**

- D329,290 S * 9/1992 Geneve D24/211
- D361,404 S * 8/1995 Haas D24/133
- 5,816,270 A * 10/1998 Nadel A45D 34/06
132/320
- D404,125 S * 1/1999 Weinstein D24/119
- D410,110 S * 5/1999 Roland D28/7
- 5,931,591 A * 8/1999 McCracken A45D 34/04
401/205
- D417,033 S * 11/1999 Sachs D28/63
- D487,164 S * 2/2004 Denton D28/7
- D498,022 S * 11/2004 Hanefeld D28/7
- D502,288 S * 2/2005 Longoria D28/20
- D502,568 S * 3/2005 Longoria D28/20

(Continued)

- (22) Filed: **Jan. 24, 2019**
- (51) **LOC (12) Cl.** **28-03**
- (52) **U.S. Cl.**
USPC **D24/215**
- (58) **Field of Classification Search**
USPC 132/317, 318, 320; 401/202, 205, 243;
601/128-131, 134-137, 19, 27, 28-32,
601/46, 48, 52, DIG. 12,
601/DIG. 15-DIG. 17; D19/115, 187;
D24/141, 200, 211-215; D28/7, 88
CPC A61H 7/003; A61H 39/04; A61H 7/007;
A61H 2015/0042; A61H 23/0263
See application file for complete search history.

(56) **References Cited**

U.S. PATENT DOCUMENTS

- 1,782,005 A * 11/1930 Grison A61H 7/003
601/18
- RE19,043 E * 1/1934 Grison A61H 7/003
601/18
- 2,385,501 A * 9/1945 Fevas A61H 7/003
601/17
- D211,549 S * 6/1968 Christopher D24/211
- 4,550,718 A * 11/1985 Kaeser A61H 15/0092
601/129
- 4,632,095 A * 12/1986 Libin A61H 23/02
601/135
- 4,989,613 A * 2/1991 Finkenberg A61B 5/4504
600/552
- D315,408 S * 3/1991 Duk D24/211

OTHER PUBLICATIONS

Amazon, "Nurse Jamie Massaging Beauty Tool", Oct. 21, 2019.
https://www.amazon.com/Nurse-Jamie-Nuvibe-Amethyst-Massaging/dp/B07VXGM42Q/ref=cm_cr_ar_p_d_product_top?ie=UTF8. Shown on p. 1. (Year: 2019).*

Primary Examiner — Cynthia Ramirez
Assistant Examiner — Michael A Maharajh
(74) *Attorney, Agent, or Firm* — Ziegler IP Law Group LLC

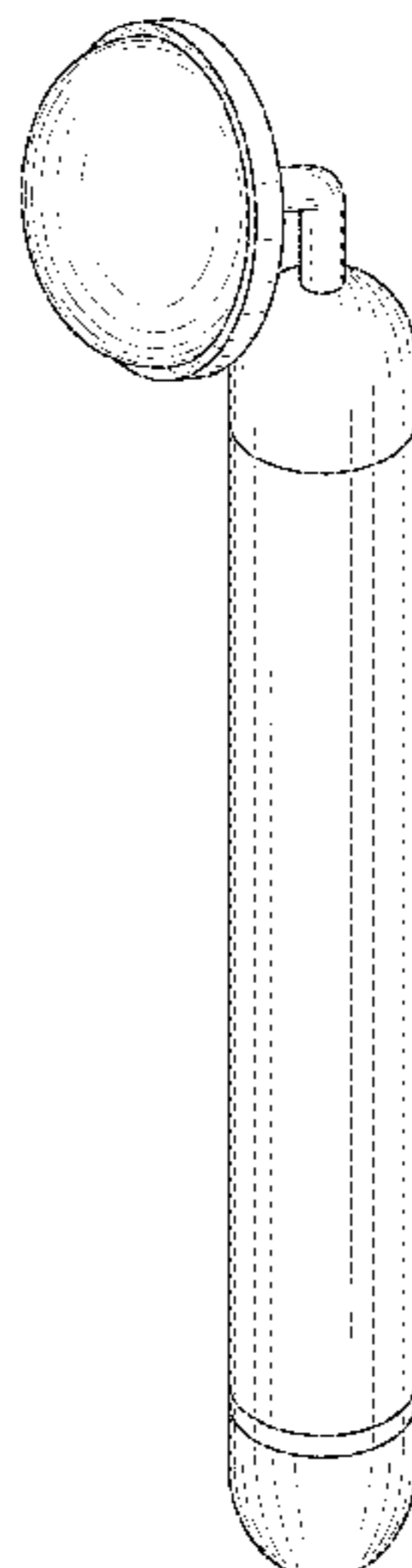
(57) **CLAIM**

The ornamental design for a massaging beauty tool, as shown and described.

DESCRIPTION

FIG. 1 is a top perspective view of an massaging beauty tool showing the new design;
FIG. 2 is a front view thereof;
FIG. 3 is a back view thereof;
FIG. 4 is a right side view thereof;
FIG. 5 is a left side view thereof;
FIG. 6 is a top view thereof; and,
FIG. 7 is a bottom view thereof.

1 Claim, 4 Drawing Sheets



(56)

References Cited

U.S. PATENT DOCUMENTS

D503,828 S *	4/2005	Hodge	D28/7	D794,854 S *	8/2017	Zepter	D24/200
D510,628 S *	10/2005	Talbot	D24/214	D824,039 S *	7/2018	Hetzel	D24/215
D540,952 S *	4/2007	Colvin	D24/215	D846,391 S *	4/2019	Duquet	D9/447
D659,843 S *	5/2012	Wang	D24/200	D854,699 S *	7/2019	Peterson	D24/214
D675,745 S *	2/2013	Nan	D24/215	D857,911 S *	8/2019	Huang	D24/215
D675,746 S *	2/2013	Nan	D24/215	D861,181 S *	9/2019	Shen	D24/209
D679,806 S *	4/2013	Davitt	D24/119	D861,911 S *	10/2019	Fuhner	D24/215
D681,841 S *	5/2013	Scappaticci	D24/215	D862,721 S *	10/2019	Friend	D24/214
8,523,791 B2 *	9/2013	Castel	A61F 7/00	D865,209 S *	10/2019	Nichols	D24/214
					D865,990 S *	11/2019	Ko	D24/215
					2007/0017020 A1 *	1/2007	Tai	A61H 7/003
									4/597
D708,755 S *	7/2014	Kim	D24/215	2008/0319358 A1 *	12/2008	Lai	A61H 39/04
D716,466 S *	10/2014	Kanbar	A61H 19/40					601/134
					2012/0097183 A1 *	4/2012	Miller	A45D 34/042
									132/320
D716,467 S *	10/2014	Kanbar	A61H 19/40	2013/0253386 A1 *	9/2013	Nan	A61H 19/34
									601/46
D759,260 S *	6/2016	Topolovac	D24/215	2014/0288364 A1 *	9/2014	St. Bernard	A61H 19/34
D759,261 S *	6/2016	Son	D24/215					600/38
D780,933 S *	3/2017	Uchida et al.	D24/200					

* cited by examiner

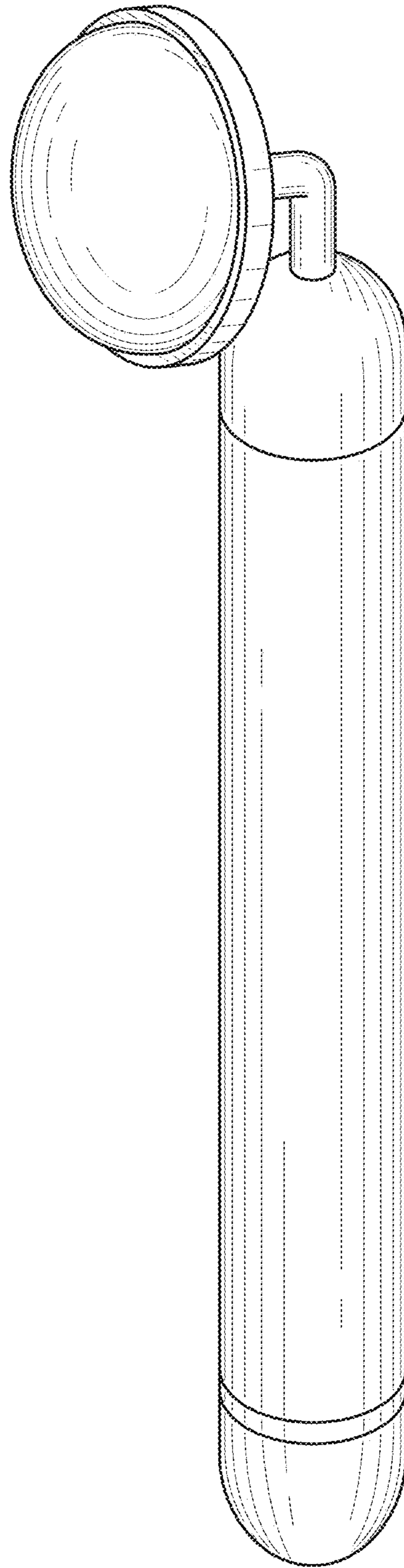


FIG. 1

FIG. 2

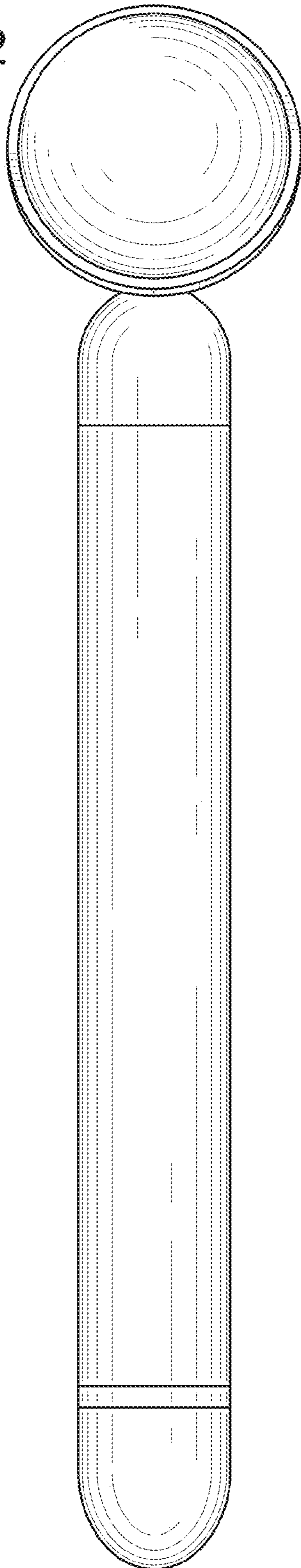


FIG. 3

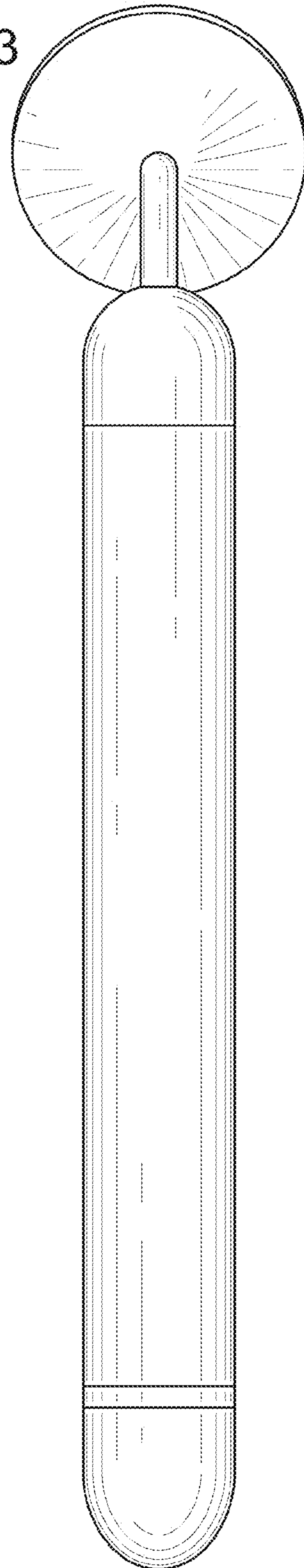
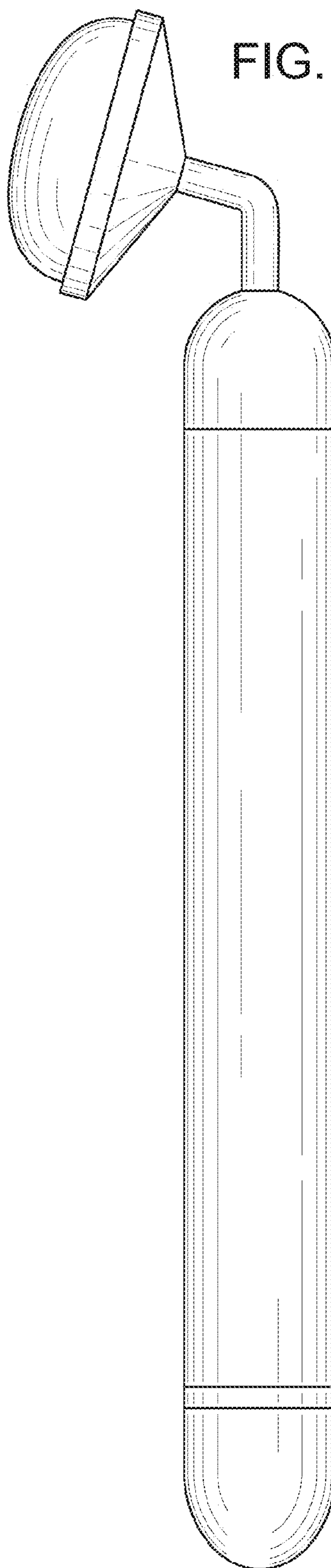


FIG. 4



FIG. 5



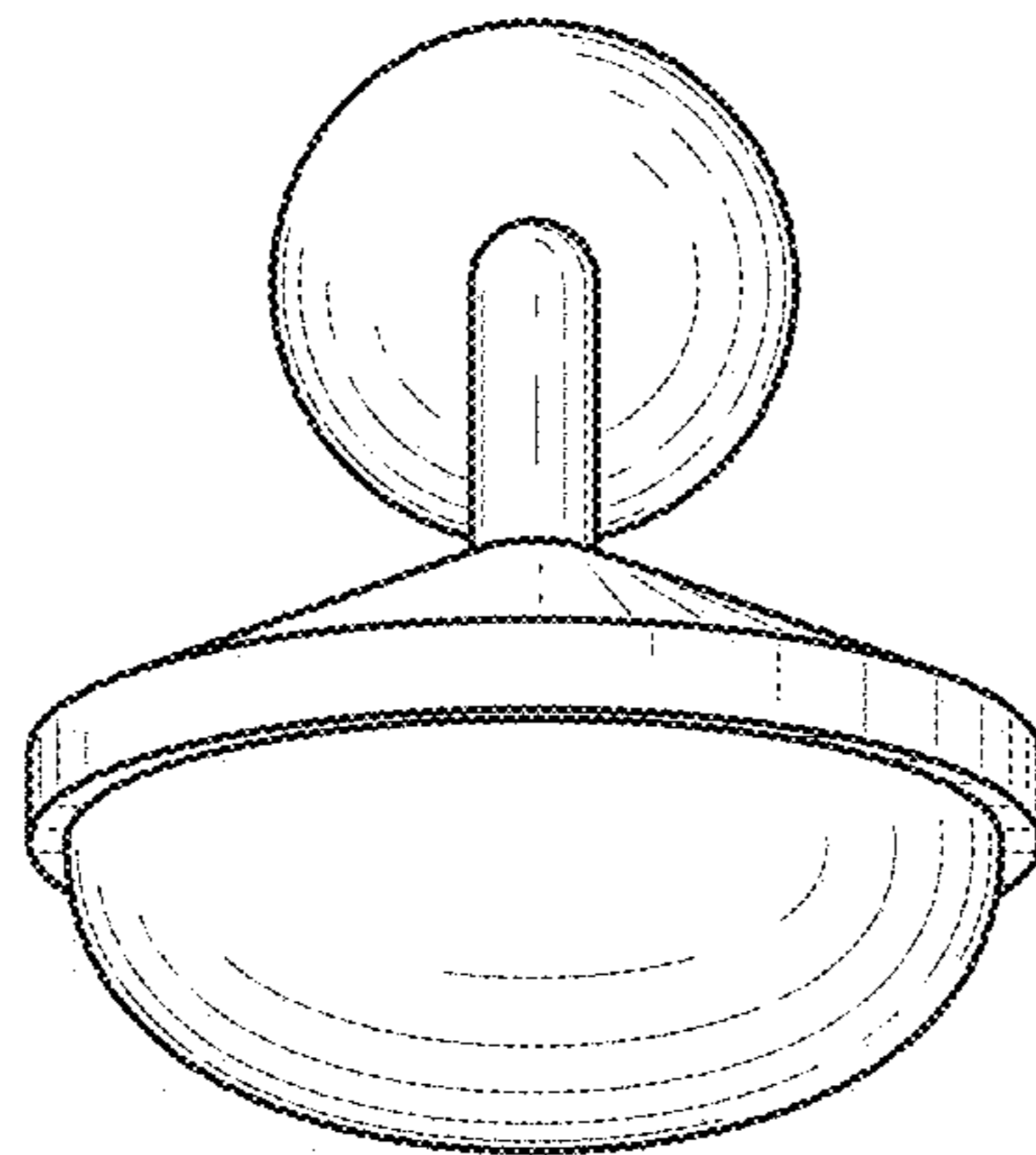


FIG. 6

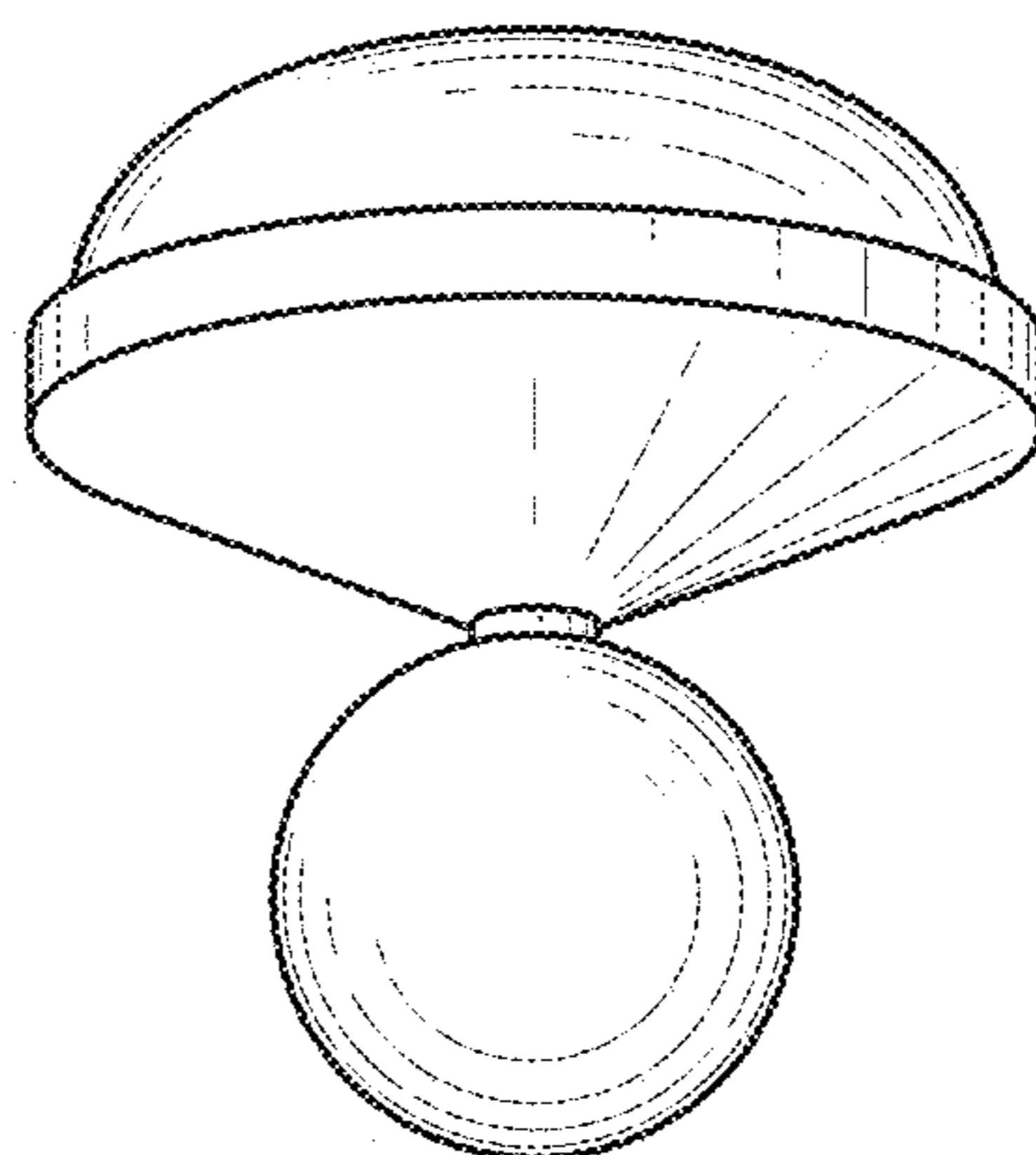


FIG. 7