



US00D888263S

(12) **United States Design Patent**
Du

(10) **Patent No.:** **US D888,263 S**
(45) **Date of Patent:** **** Jun. 23, 2020**

- (54) **NECK MASSAGER**
- (71) Applicant: **SHENZHEN BREO TECHNOLOGY CO., LTD.**, Shenzhen, Guangdong (CN)
- (72) Inventor: **Fei Du**, Shenzhen (CN)
- (73) Assignee: **SHENZHEN BREO TECHNOLOGY CO., LTD.**, Shenzhen (CN)
- (**) Term: **15 Years**
- (21) Appl. No.: **29/669,448**
- (22) Filed: **Nov. 8, 2018**
- (30) **Foreign Application Priority Data**
May 11, 2018 (CN) 2018 3 0215275
- (51) **LOC (12) Cl.** **28-03**
- (52) **U.S. Cl.**
USPC **D24/215**
- (58) **Field of Classification Search**
USPC D24/191, 200, 211, 212, 213, 214, 215
CPC A61H 1/00; A61H 23/004; A61H 7/002;
A61H 7/007; A61H 2201/1609; A61H
2205/062; A61H 2201/1614
See application file for complete search history.

8,832,869 B2 * 9/2014 Ma A61H 7/006
2/418
D739,543 S * 9/2015 Ma D24/215
D769,453 S * 10/2016 Ma D24/215
D841,179 S * 2/2019 Ma D24/215
2011/0265254 A1 * 11/2011 Ma A61H 7/006
2/420

- (56) **References Cited**
U.S. PATENT DOCUMENTS
D247,312 S * 2/1978 Zeiss D24/215
D250,835 S * 1/1979 Grube D24/215
D260,553 S * 9/1981 Wu D24/215
D341,893 S * 11/1993 Tauber D24/191
D389,585 S * 1/1998 Leventhal D24/200
D693,016 S * 11/2013 Ma D24/215

OTHER PUBLICATIONS

Dealbest, "Breo Ineck Mini Neck Massager", Apr. 18, 2020. <https://dealbest.net/massage-relaxation/breo-ineck-mini-neck-massager-cervical-massage-pillow-shoulder-kneading-body-multiple-parts-available.html>. Shown on p. 1. (Year: 2020).*

* cited by examiner

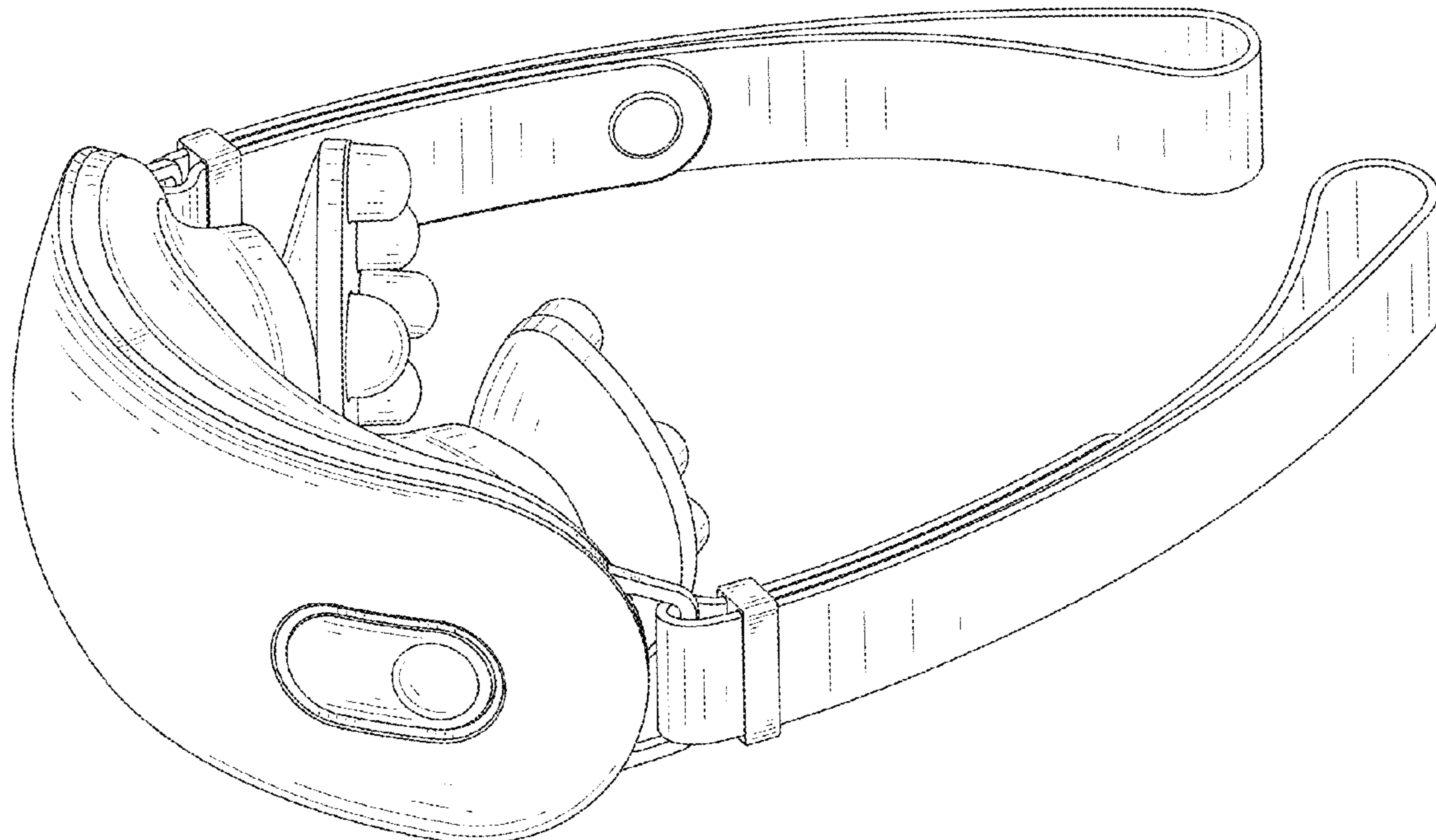
Primary Examiner — Cynthia Ramirez
Assistant Examiner — Michael A Maharajh
(74) *Attorney, Agent, or Firm* — Nixon & Vanderhye PC

(57) **CLAIM**
The ornamental design for a neck massager, as shown and described.

DESCRIPTION

FIG. 1 is a first perspective view of a neck massager; FIG. 2 is a second perspective view thereof; FIG. 3 is a front view thereof; FIG. 4 is a rear view thereof; FIG. 5 is a left side view thereof; FIG. 6 is a right side view thereof; FIG. 7 is a top view thereof; and, FIG. 8 is a bottom view thereof. The broken lines are included for the purpose of illustrating portions of the neck massager and form no part of the claimed design.

1 Claim, 8 Drawing Sheets



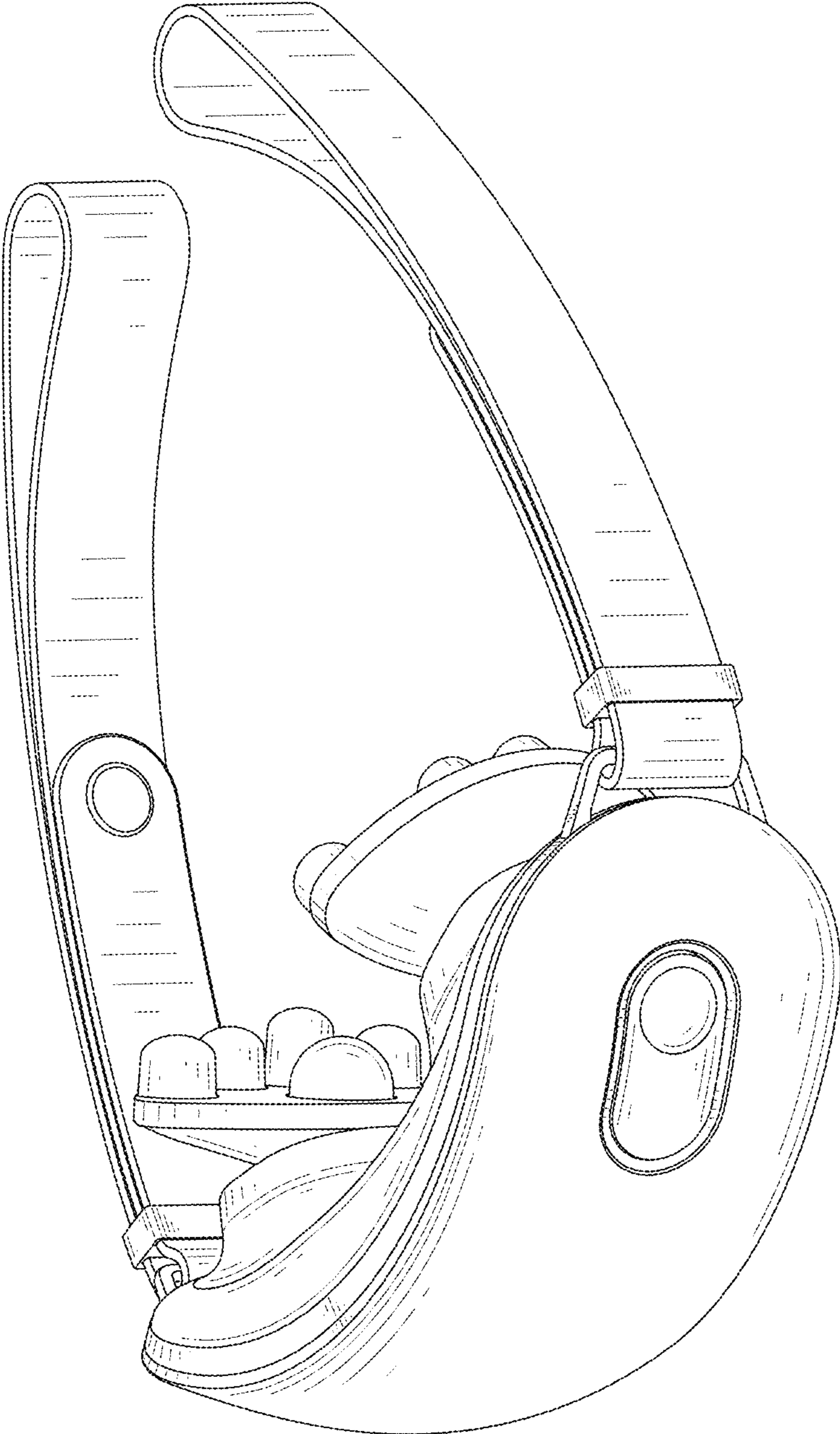


FIG. 1

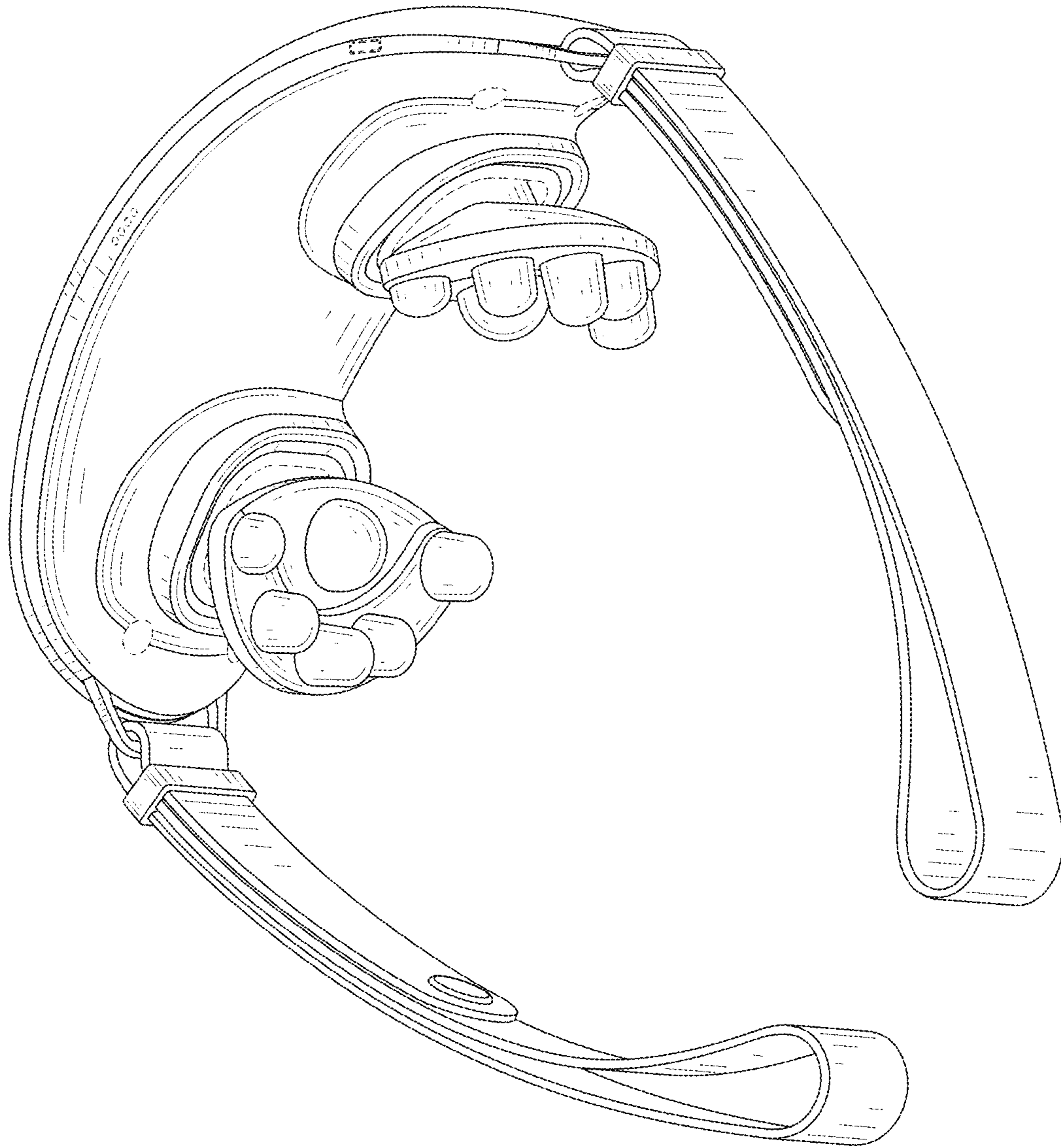


FIG. 2

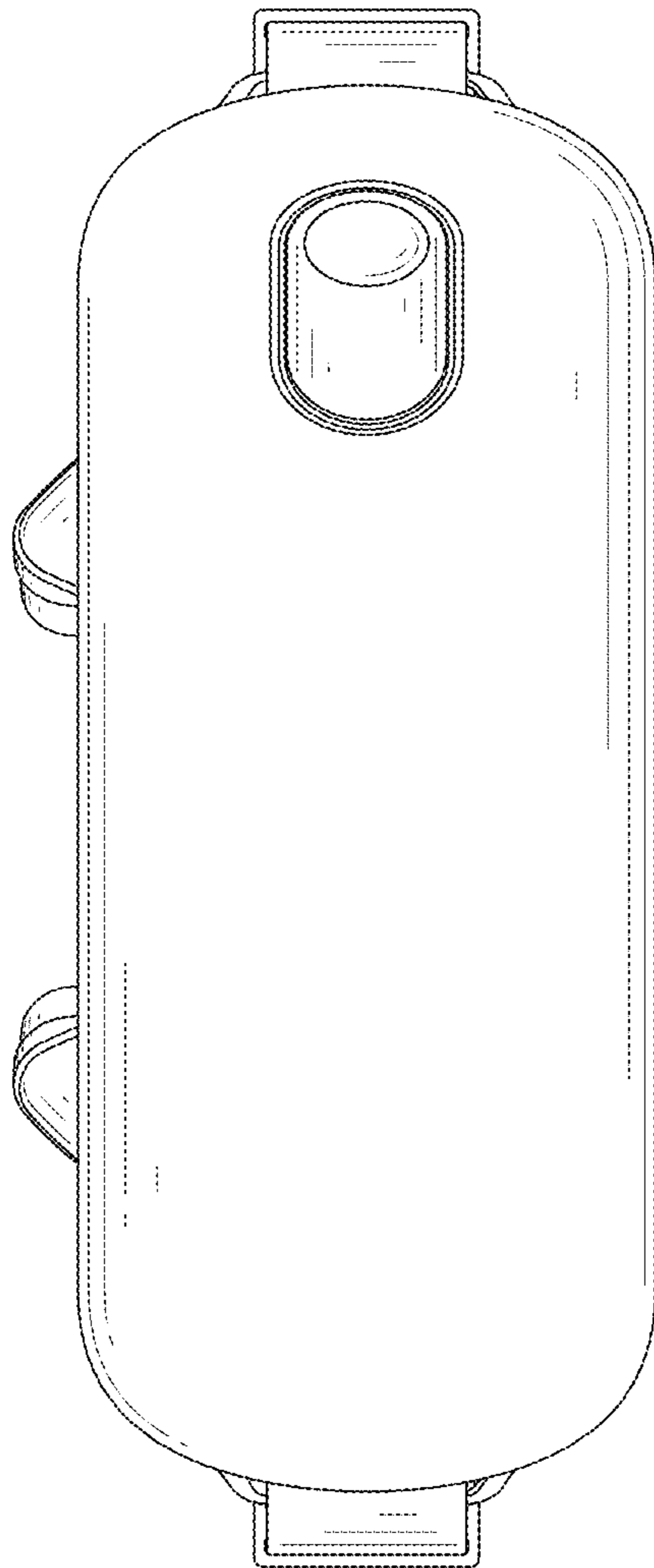


FIG. 3

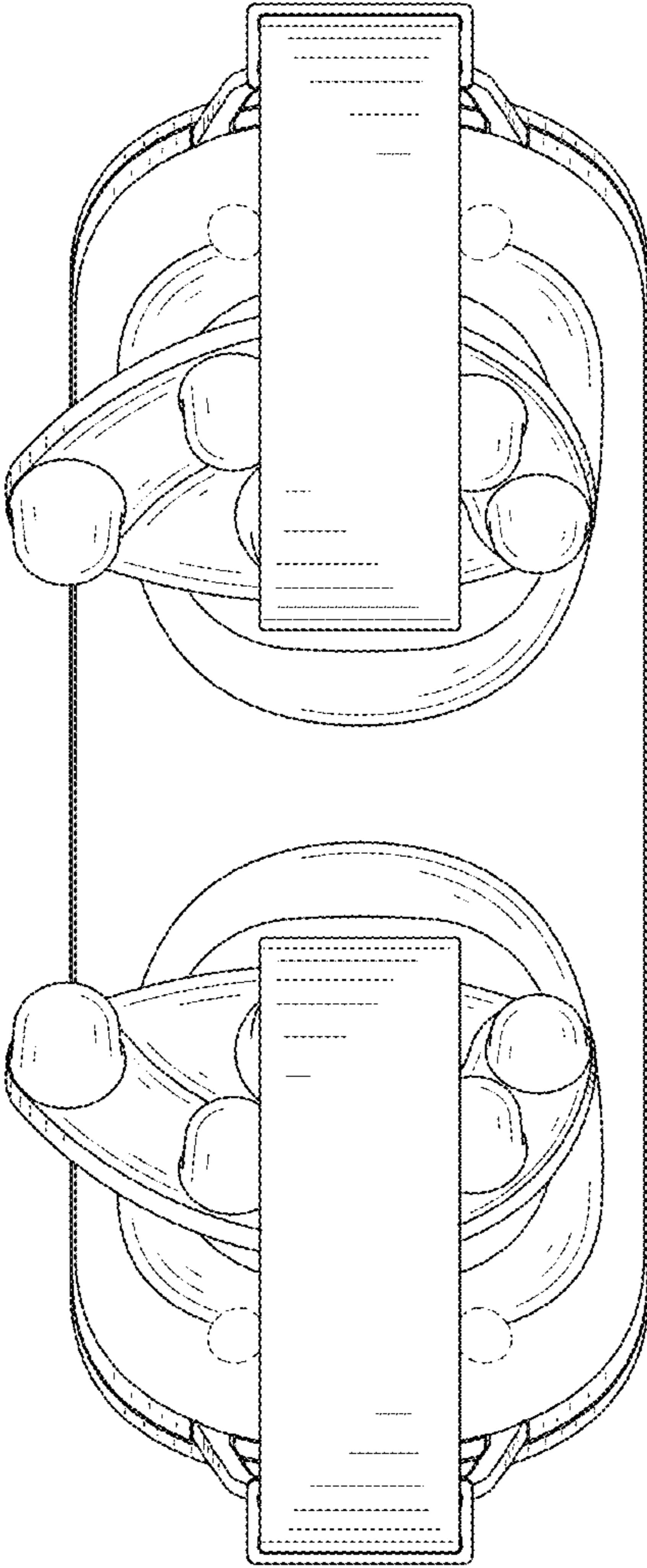


FIG. 4

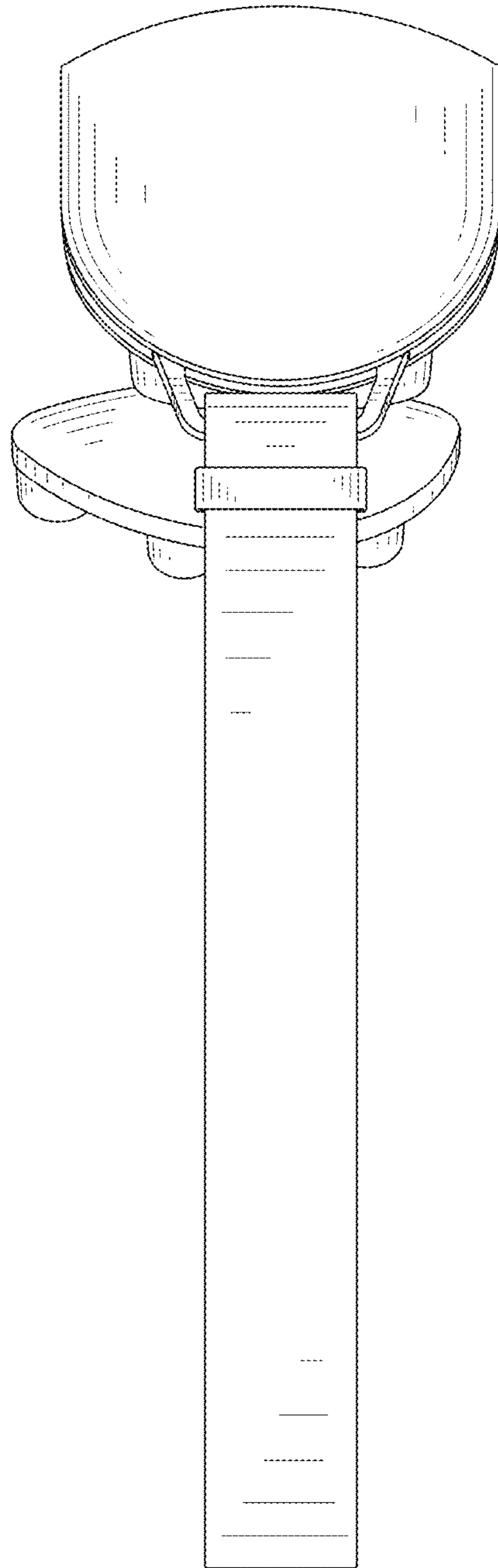


FIG. 5

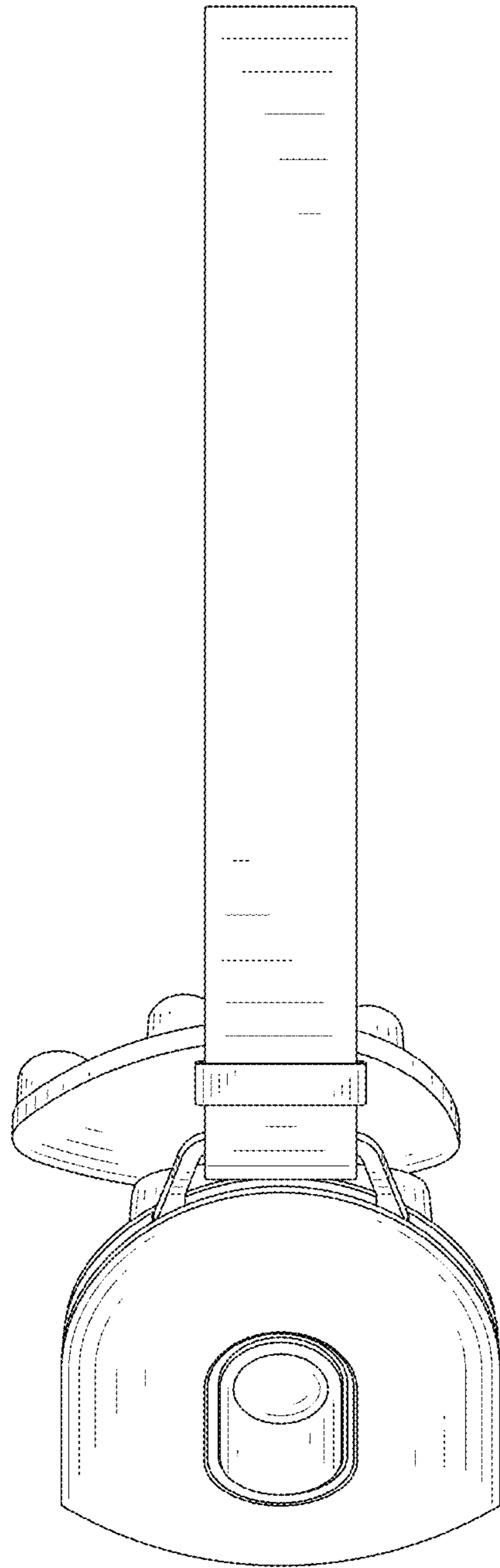


FIG. 6

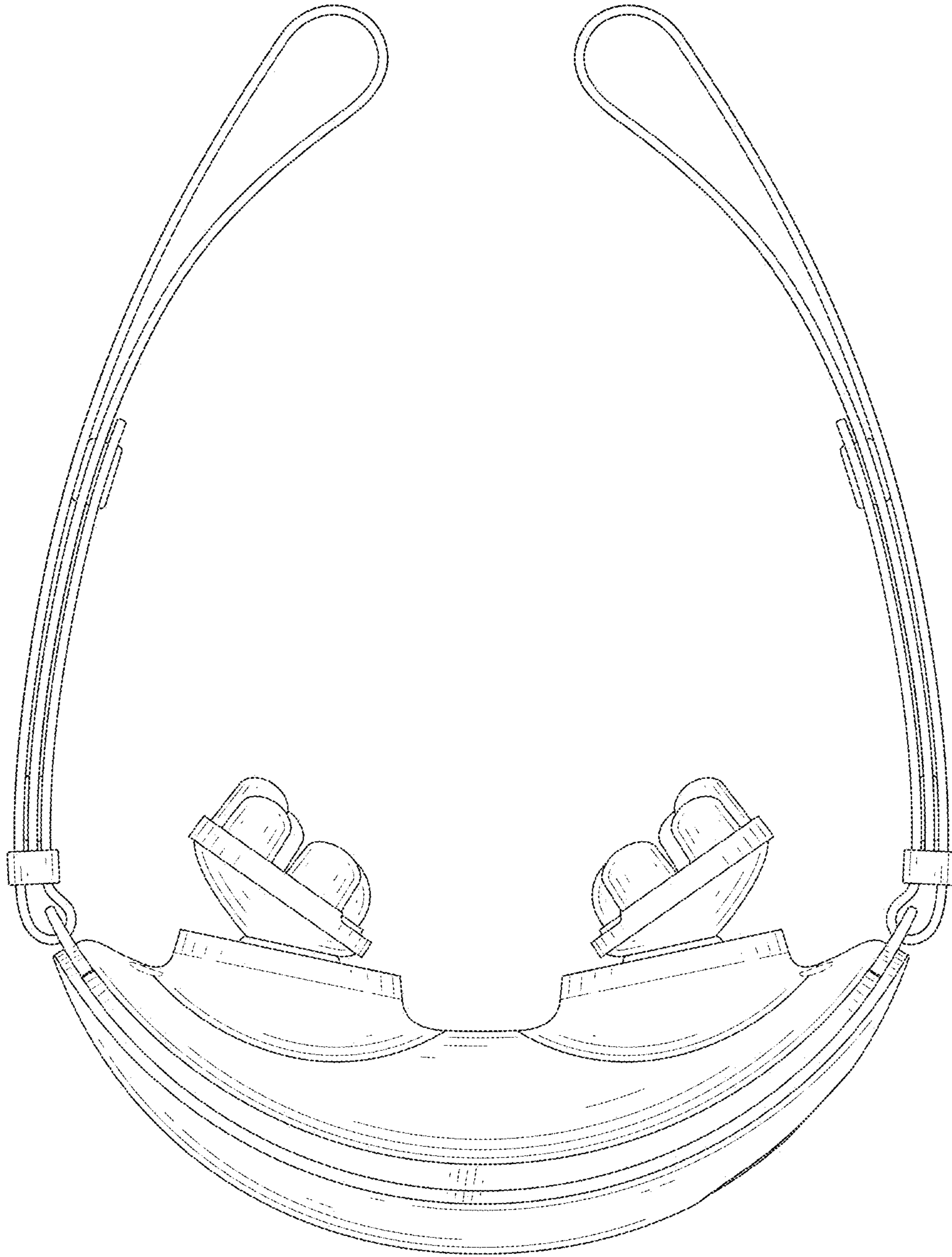


FIG. 7

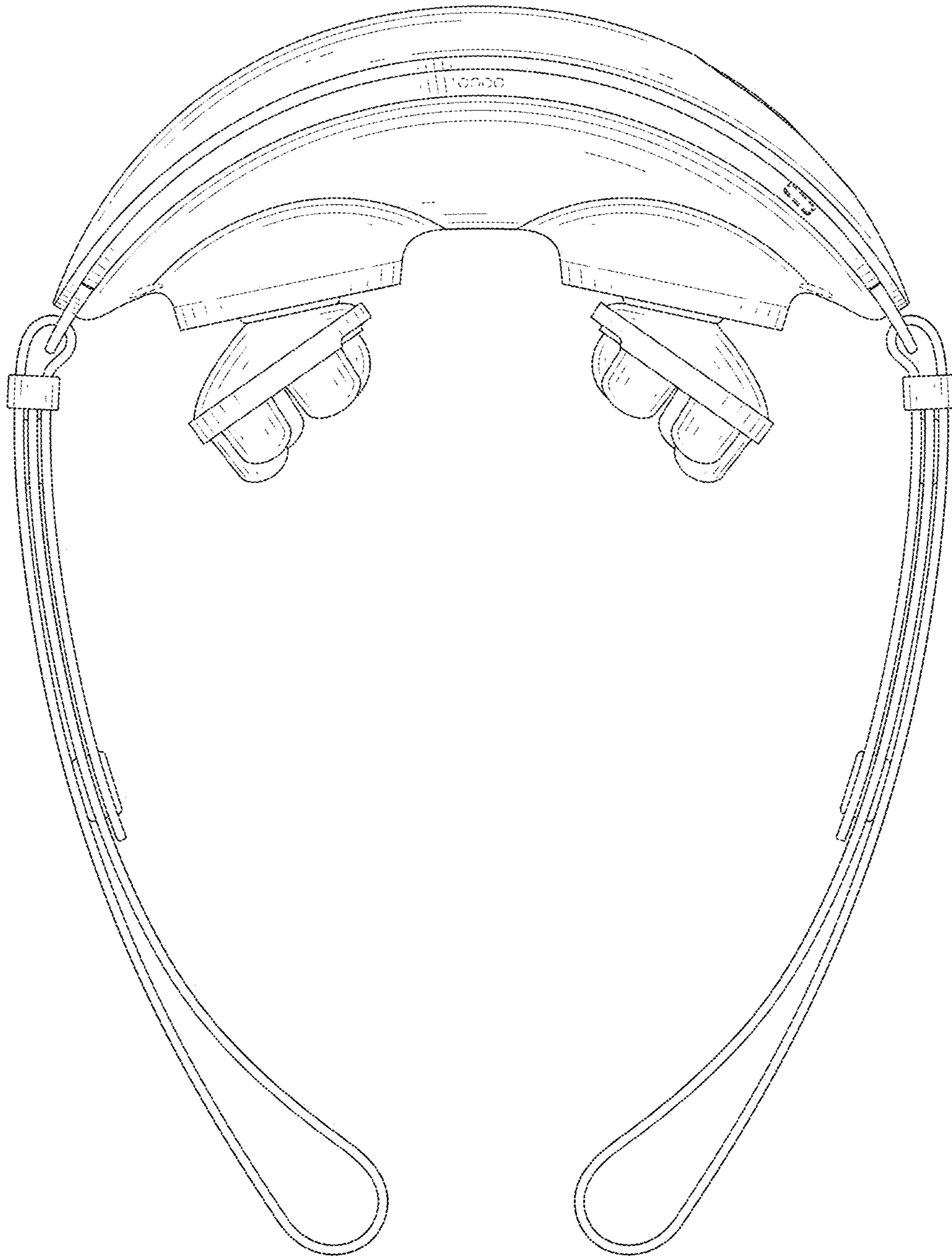


FIG. 8